



US00D854257S

(12) **United States Design Patent**
Hollinger

(10) **Patent No.:** **US D854,257 S**
(45) **Date of Patent:** **** Jul. 16, 2019**

(54) **PET NAIL GROOMER**

CPC A01K 13/00; A01K 13/001; A45D 29/05;
A45D 29/06; A45D 29/11; A45D 29/14
See application file for complete search history.

(71) Applicant: **E. MISHAN & SONS, INC.**, New York, NY (US)

(56) **References Cited**

(72) Inventor: **Fred Hollinger**, Monroe Township, NJ (US)

U.S. PATENT DOCUMENTS

(73) Assignee: **E. MISHAN & SONS, INC.**, New York, NY (US)

2,056,379	A	10/1936	Acocella	
D249,565	S	9/1978	Levin	
D264,679	S *	6/1982	Funkhouser	D19/901
D343,561	S *	1/1994	McCambridge	D8/61
5,310,010	A *	5/1994	Lo	B23P 19/065 173/178
D380,658	S *	7/1997	Bruno	D24/146
D391,820	S *	3/1998	Bunyea	D8/61
D423,897	S *	5/2000	Cooper	D8/61
6,332,431	B1 *	12/2001	Brown	A01K 13/00 119/468
D466,776	S *	12/2002	Hsiao	D8/62
6,523,546	B2 *	2/2003	Jo	A61B 17/54 132/75

(**) Term: **15 Years**

(21) Appl. No.: **29/667,776**

(22) Filed: **Oct. 24, 2018**

(51) **LOC (11) Cl.** **30-99**

(52) **U.S. Cl.**
USPC **D30/158**

(58) **Field of Classification Search**
USPC D30/158, 199; 119/600, 468, 607-611, 119/627, 633, 663, 601; D28/59, 36, 58, D28/44, 49, 50, 53, 85, 44.1, 51; D8/61, D8/62, 82, DIG. 7; D24/147, 146, 214, D24/215; D4/100-102; 132/73.6, 75.8, 132/76.4, 73.5, 75.3, 75.6, 76.5, 118, 132/119.1, 75.4, 75.5, 75; 30/26, 29.5, 30/43, 43.4-43.6, 41.5, 206, 133, 276, 29, 30/277.4, 240, 210, 43.92, 392, 167, 329, 30/169; 15/23, 28, 22.1, 101, 65, 104.04, 15/88, 104.095, 97.1, 179; 451/356, 451/162-164; 452/98; 81/3.42, 177.7, 81/57.26, 57.11, 58.3; 606/85, 131; 83/698.11, 520; 362/120; 206/368; 392/380, 384; 173/29, 217, 216; 310/50; 464/53; 601/70; D15/132; 433/133, 433/130, 125, 127, 166, 126, 132; 279/51, 147; D26/49, 37

(Continued)

FOREIGN PATENT DOCUMENTS

EP 0526386 A1 2/1993

Primary Examiner — Susan Moon Lee
(74) *Attorney, Agent, or Firm* — Notaro, Michalos & Zaccaria P.C.

(57) **CLAIM**

The ornamental design for a pet nail groomer, as shown and described.

DESCRIPTION

FIG. 1 is a top, front perspective view of a pet nail groomer showing my design therefor;
FIG. 2 is a front elevational view thereof;
FIG. 3 is a rear elevational view thereof;
FIG. 4 is a left side elevational view thereof;
FIG. 5 is a right side elevational view thereof;
FIG. 6 is a top plan view thereof;
FIG. 7 is a bottom plan view thereof; and,

(Continued)

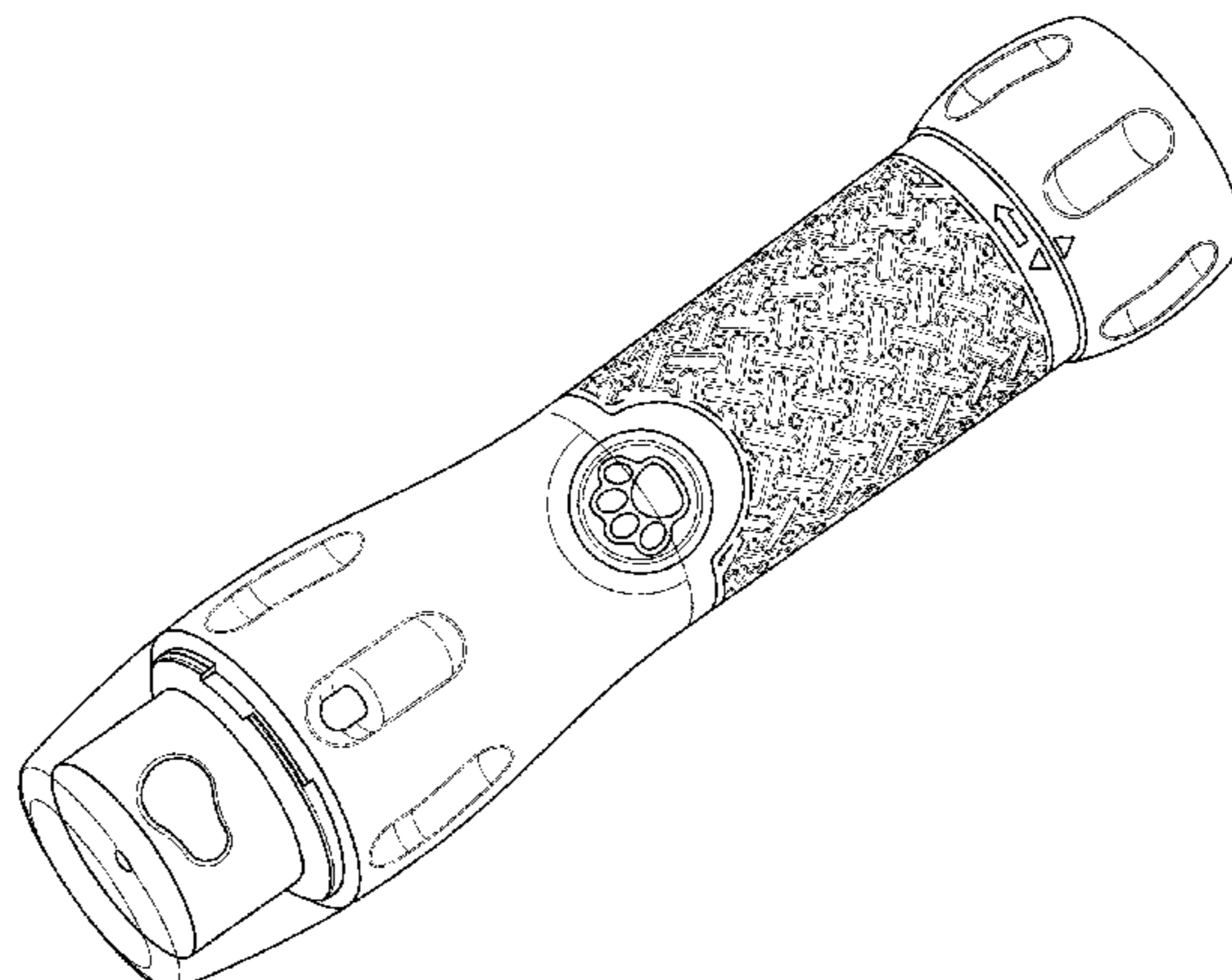


FIG. 8 is front elevational view of the pet nail groomer with its cap removed.

1 Claim, 8 Drawing Sheets

(56)

References Cited

U.S. PATENT DOCUMENTS

6,640,811	B2	11/2003	Cho	
D484,762	S *	1/2004	Lee	D8/62
D487,168	S *	2/2004	Hoekstra	D28/53
D537,971	S *	3/2007	Shiu	D26/49
D577,843	S *	9/2008	Couture	D26/49
7,428,881	B2	9/2008	Drelinger	
D596,357	S *	7/2009	Rosen	D30/158
D600,413	S	9/2009	Khubani	
8,469,039	B2	6/2013	Jackson	
D736,999	S	8/2015	Yiu	
D751,762	S	3/2016	Hollinger	
D756,034	S	5/2016	Yiu	
D766,508	S	9/2016	Wang et al.	
D768,334	S	10/2016	Langberg	

D768,931	S	10/2016	Langberg et al.	
D768,932	S	10/2016	Langberg et al.	
D769,529	S	10/2016	Langberg	
D781,496	S	3/2017	Butler et al.	
D781,497	S	3/2017	Butler et al.	
D788,980	S *	6/2017	Yiu	D28/58
10,070,624	B2 *	9/2018	Davis	A01K 17/00
D843,800	S *	3/2019	Jiang	D8/61
2003/0102002	A1 *	6/2003	Cho	A45D 29/05
				132/73.6
2006/0150992	A1 *	7/2006	Nevakshonoff	A45D 29/14
				132/73.6
2007/0089686	A1 *	4/2007	Drelinger	A01K 13/00
				119/609
2007/0186867	A1	8/2007	Mulloy	
2008/0099032	A1 *	5/2008	Jackson	A01K 13/00
				132/200
2010/0236565	A1	9/2010	Fernandez	
2011/0226270	A1 *	9/2011	Rivera	A45D 29/05
				132/73.6
2015/0150353	A1 *	6/2015	Yiu	A45D 29/05
				132/75.6
2015/0173484	A1	6/2015	Fitzsimons	
2016/0029768	A1 *	2/2016	Dai	A45D 29/05
				30/27

* cited by examiner

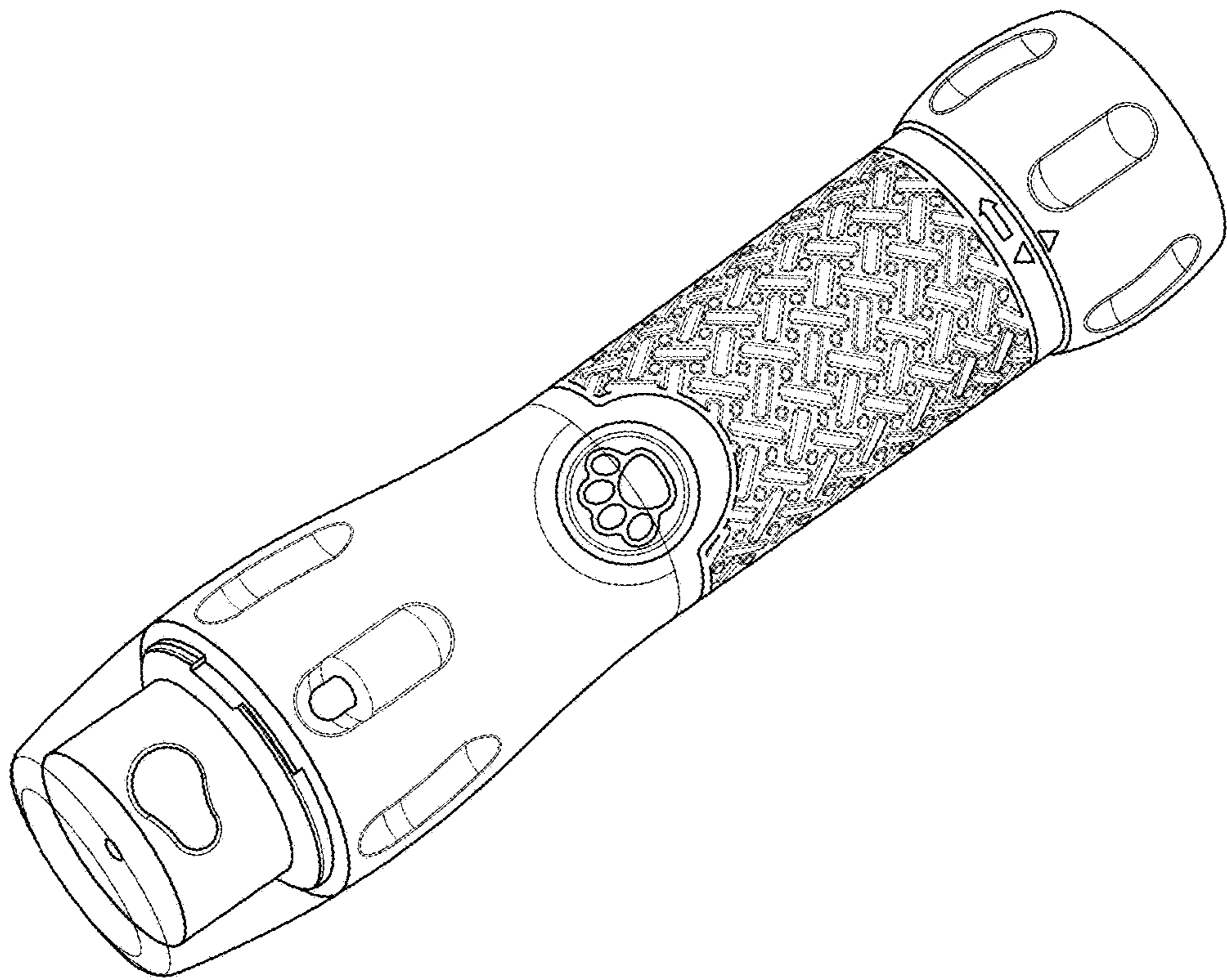


FIG. 1

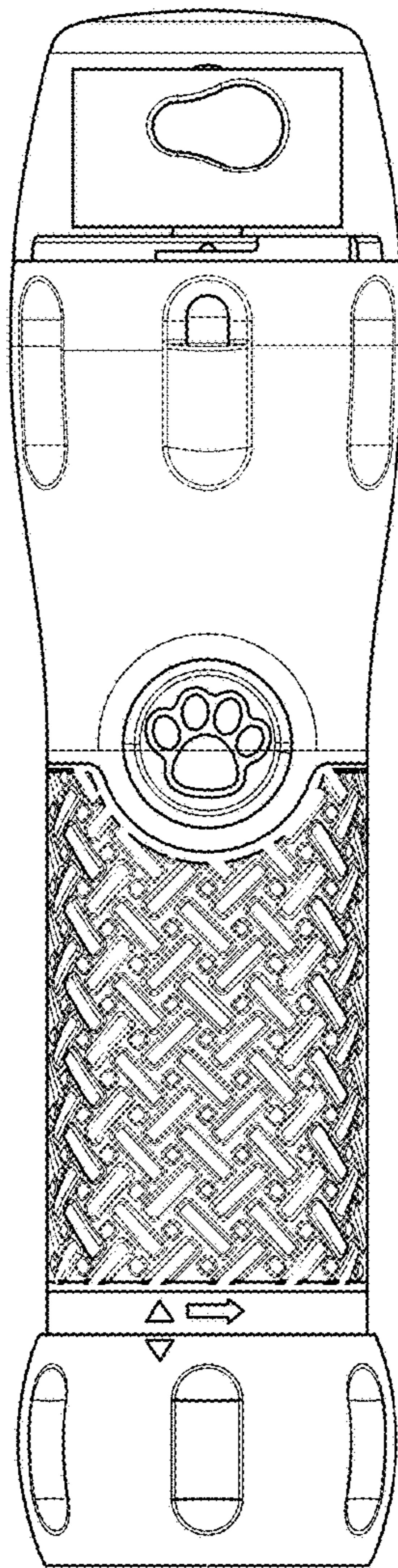


FIG. 2

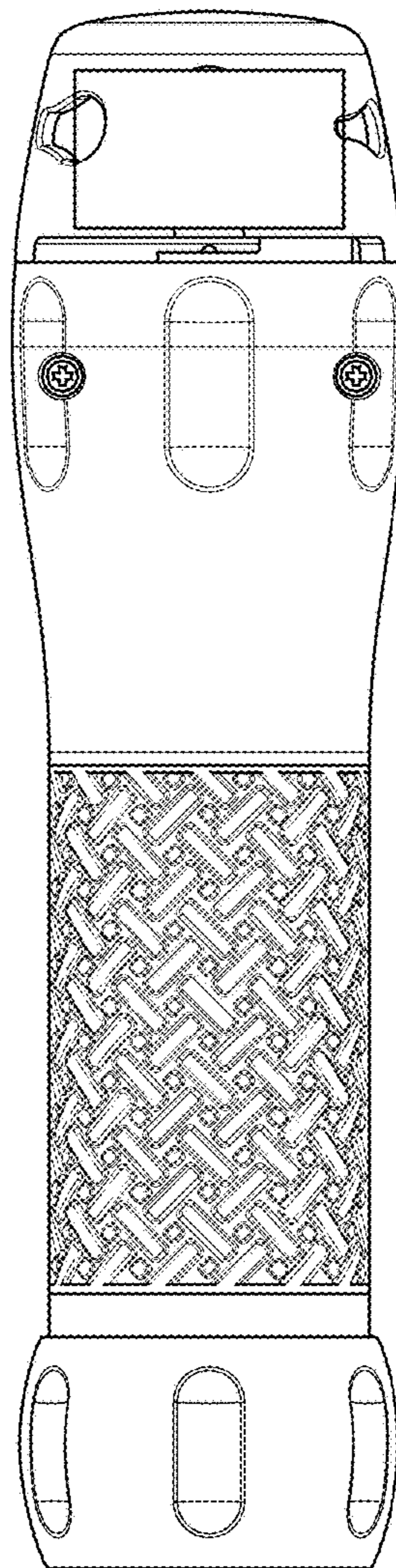


FIG. 3

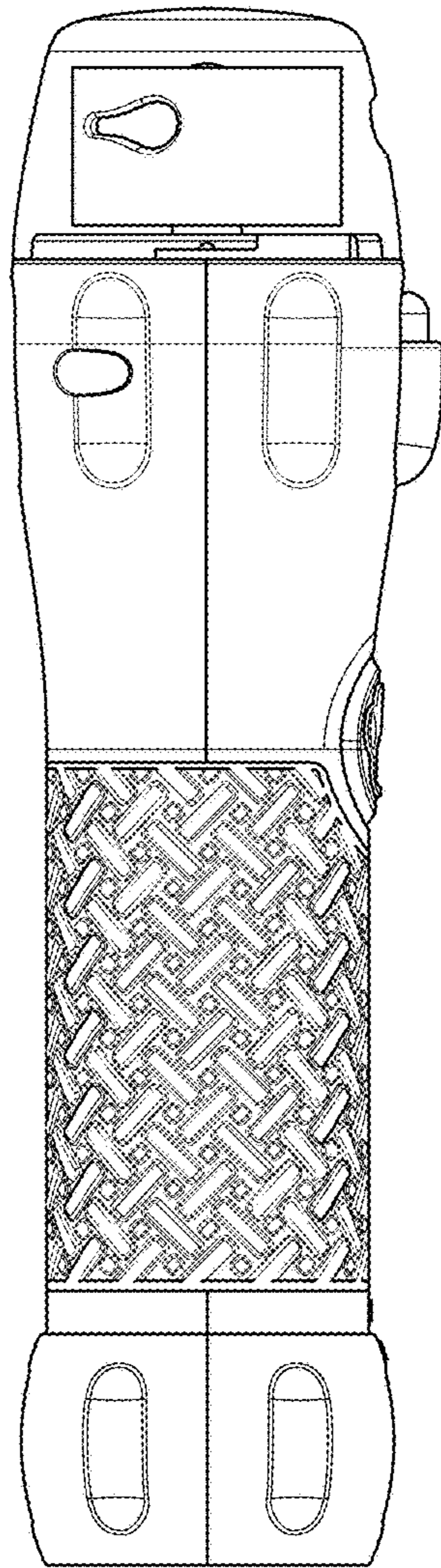


FIG. 4

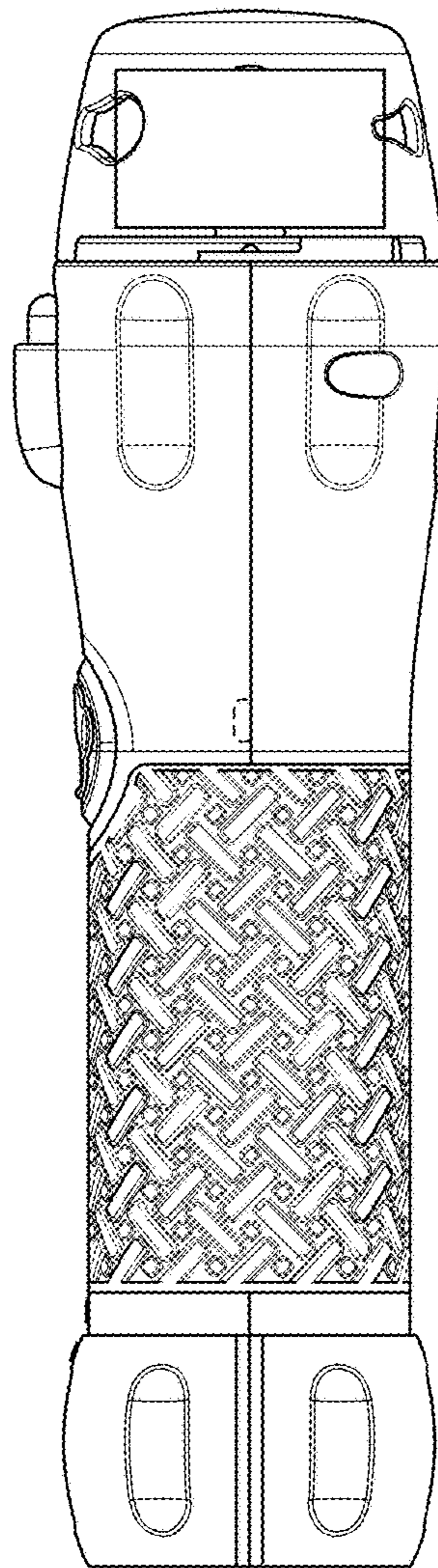


FIG. 5

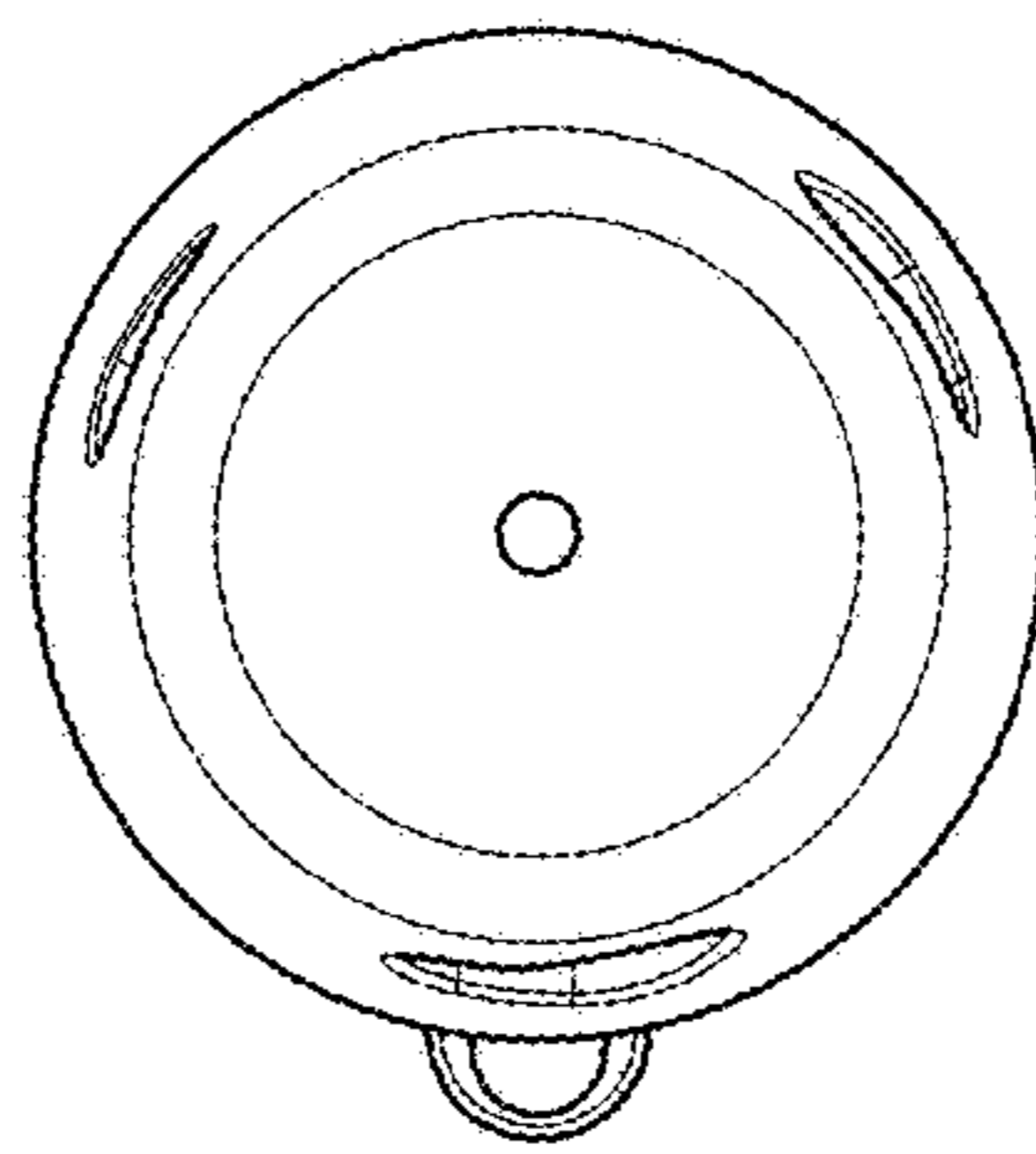


FIG. 6

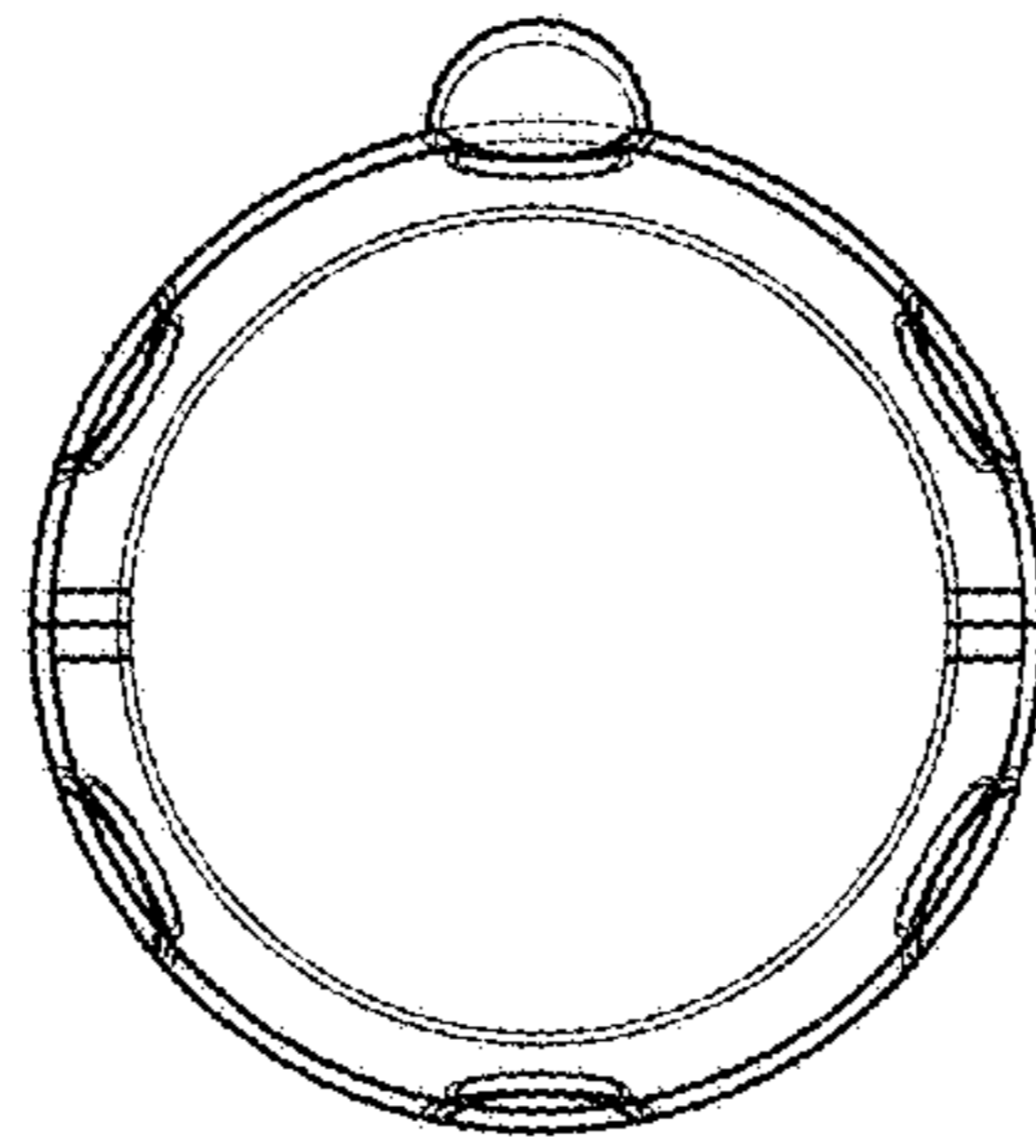


FIG. 7

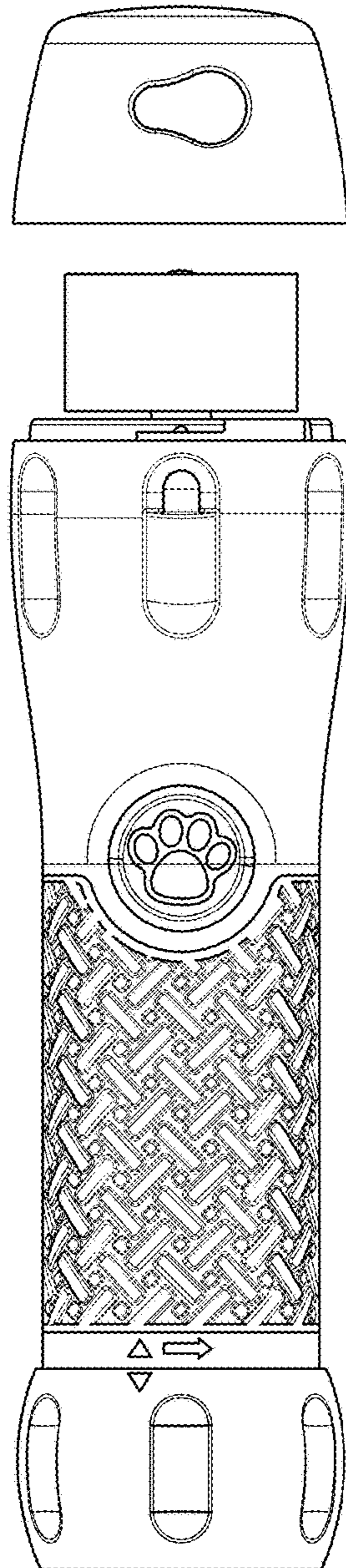


FIG. 8