



US00D854255S

(12) **United States Design Patent** (10) **Patent No.:** **US D854,255 S**
Bastman et al. (45) **Date of Patent:** **** Jul. 16, 2019**

(54) **INNER MOLDED PLATE FOR PROTECTIVE HELMETS**

FOREIGN PATENT DOCUMENTS

(71) Applicant: **3M INNOVATIVE PROPERTIES COMPANY**, St. Paul, MN (US)

CN 1475198 2/2004
CN 2855391 1/2007
WO WO 96/36303 11/1996

(72) Inventors: **Linus P. Bastman**, Orsa (SE); **Johan M. P. Hansson**, Borlange (SE); **Kjell A. Hummel**, Borlange (SE)

* cited by examiner

Primary Examiner — Randall H Gholson

(73) Assignee: **3M Innovative Properties Company**, St. Paul, MN (US)

(74) *Attorney, Agent, or Firm* — Dena M. Ehrich

(**) Term: **15 Years**

(57) **CLAIM**

(21) Appl. No.: **29/619,748**

The ornamental design for a molded inner plate for protective helmets, as shown and described.

(22) Filed: **Oct. 2, 2017**

(30) **Foreign Application Priority Data**

DESCRIPTION

Jul. 4, 2017 (EM) 001457972

(51) **LOC (11) Cl.** **29-02**

(52) **U.S. Cl.**
USPC **D29/122**

(58) **Field of Classification Search**
USPC D29/102–107, 122; 2/5, 6.1, 6.3, 6.7, 2/41–412, 414, 422–425, 9, 10; D2/869, D2/870, 872, 882, 884, 891
CPC A42B 3/00; A42B 3/127; F41H 1/08
See application file for complete search history.

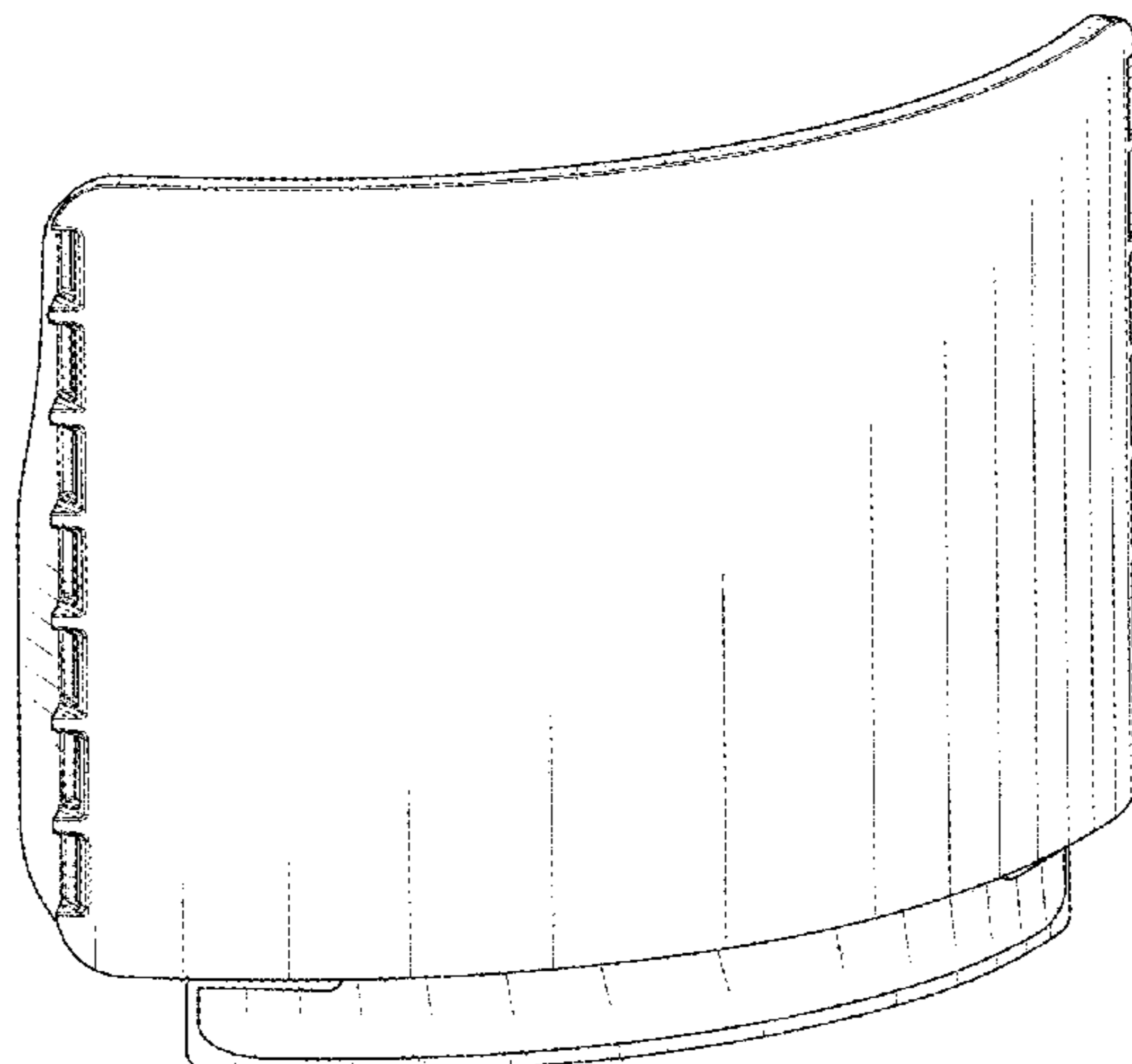
FIG. 1 is a perspective view of an embodiment of a molded inner plate for a new design for a protective helmets;
FIG. 2 is a front view thereof;
FIG. 3 is a rear view thereof;
FIG. 4 is a side view thereof;
FIG. 5 is a side view thereof;
FIG. 6 is a top view thereof;
FIG. 7 is a bottom view thereof;
FIG. 8 is a perspective view of an embodiment of a molded inner plate for a new design for a protective helmets;
FIG. 9 is a front view thereof;
FIG. 10 is a rear view thereof;
FIG. 11 is a side view thereof;
FIG. 12 is a side view thereof;
FIG. 13 is a top view thereof; and,
FIG. 14 is a bottom view thereof.

(56) **References Cited**

U.S. PATENT DOCUMENTS

D597,709 S * 8/2009 Juhlin D29/122
D637,356 S * 5/2011 Green D29/122
D640,422 S * 6/2011 Green D29/122
9,314,061 B2 * 4/2016 Hanson A42B 3/127

1 Claim, 10 Drawing Sheets



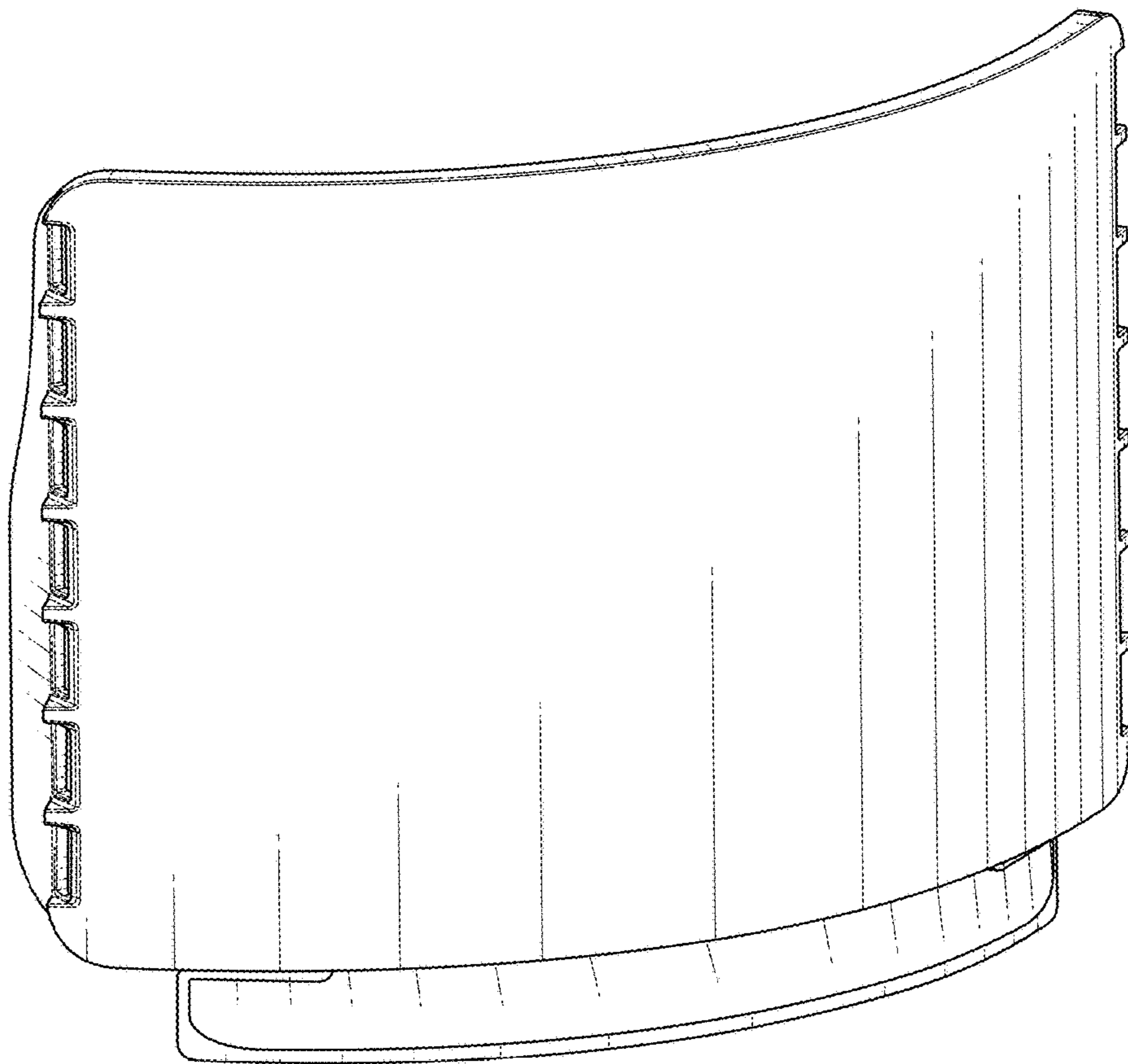


FIG. 1

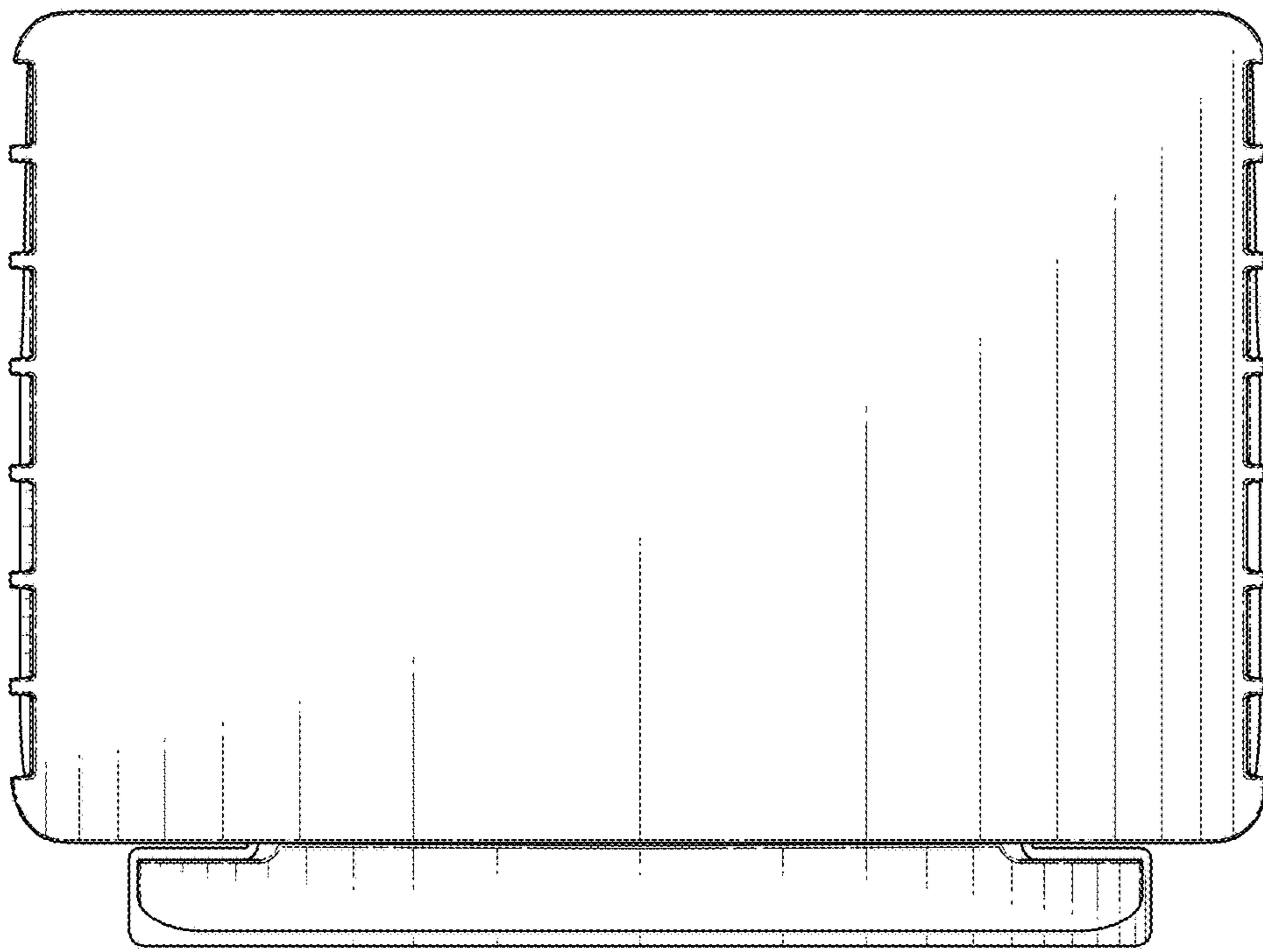


FIG. 2

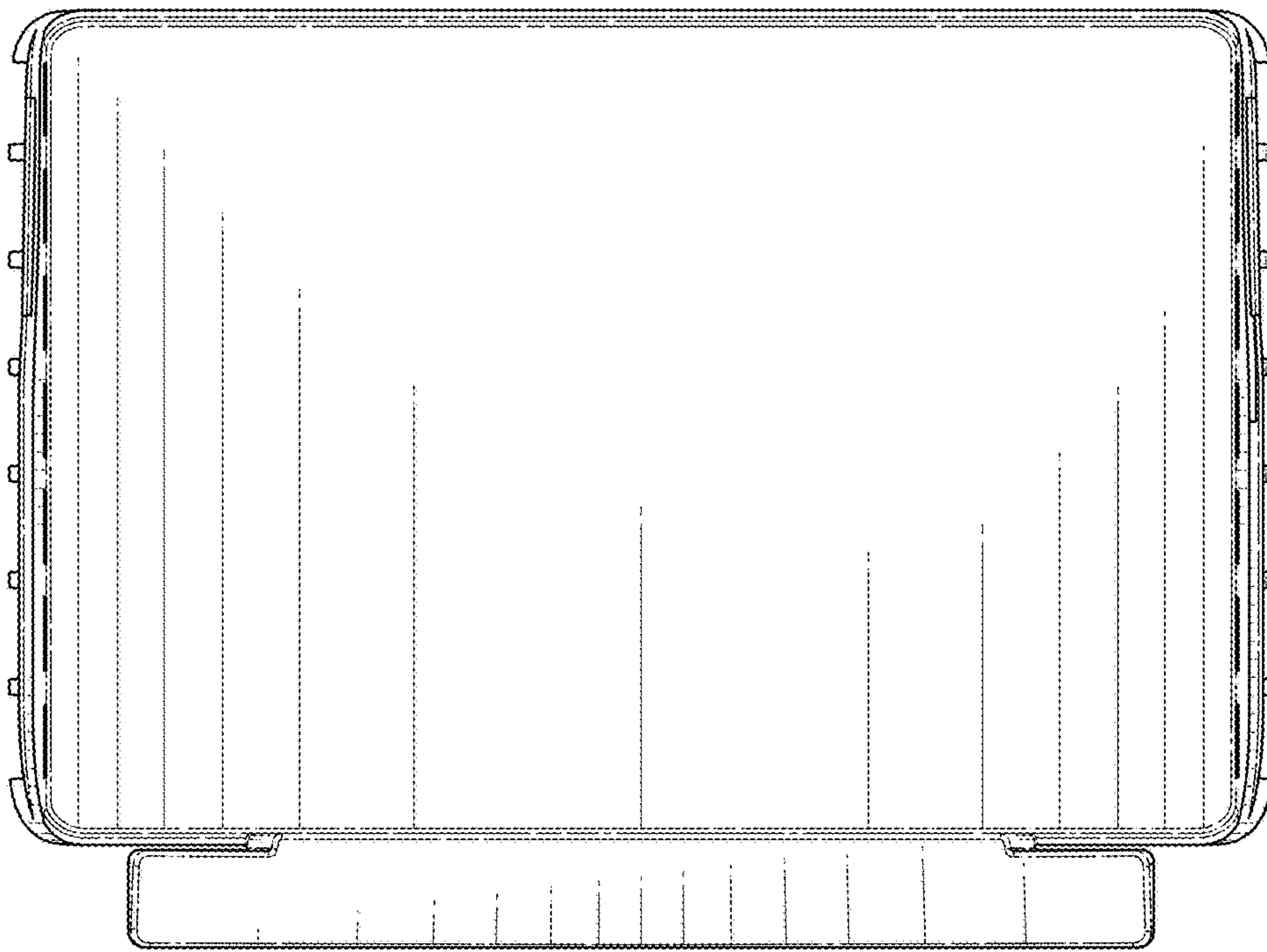


FIG. 3

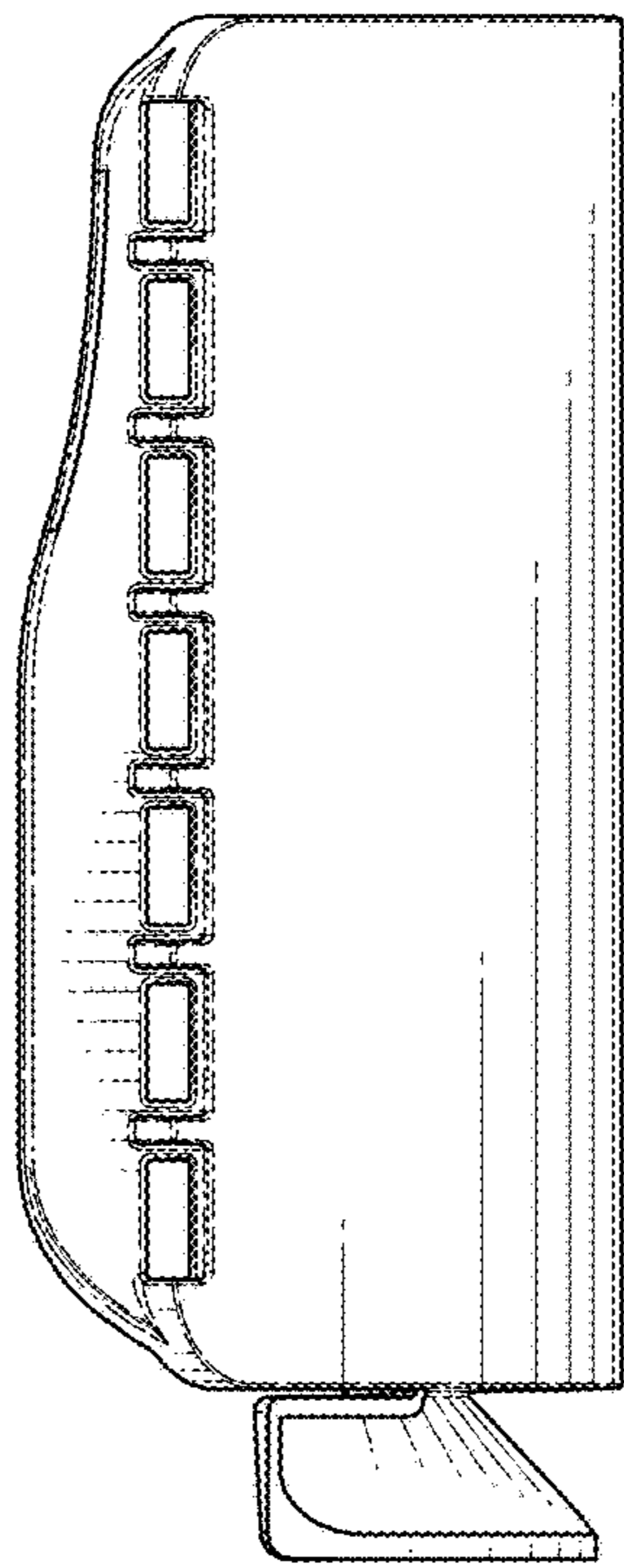


FIG. 4

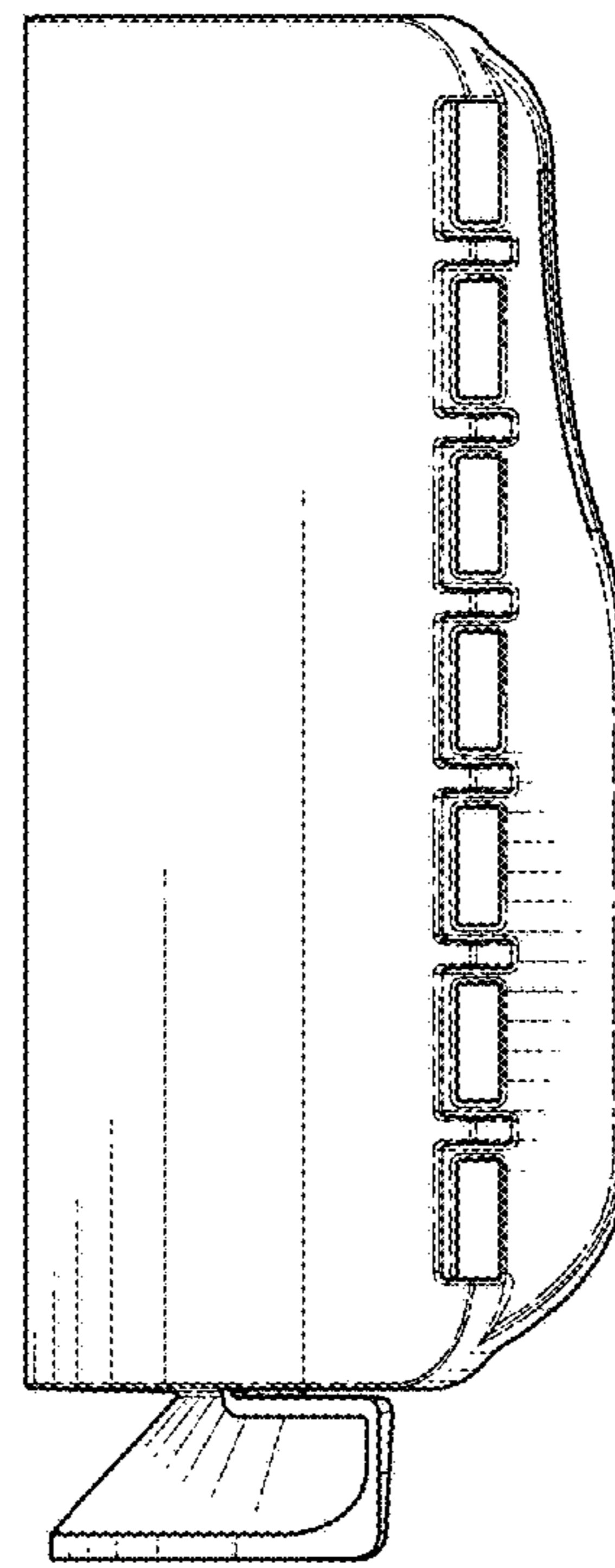


FIG. 5

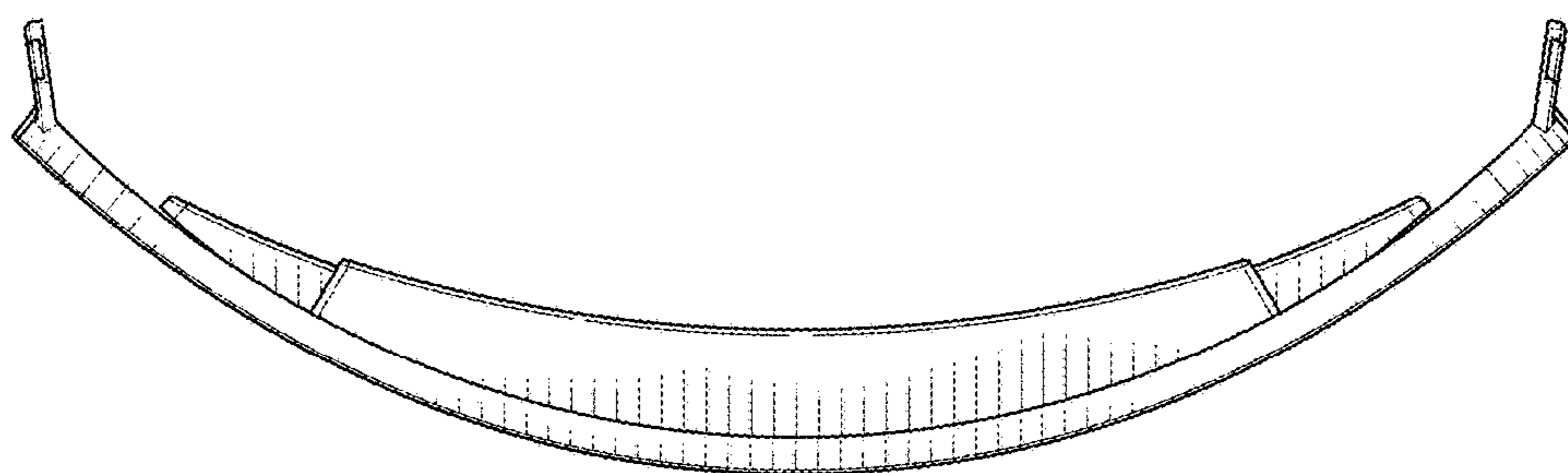


FIG. 6

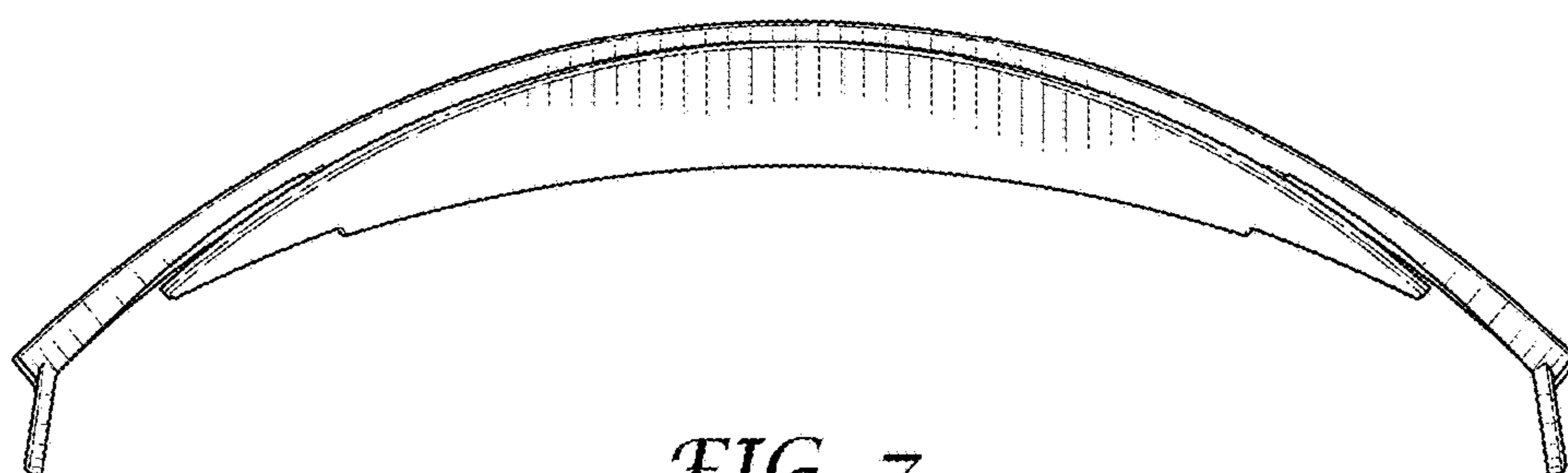


FIG. 7

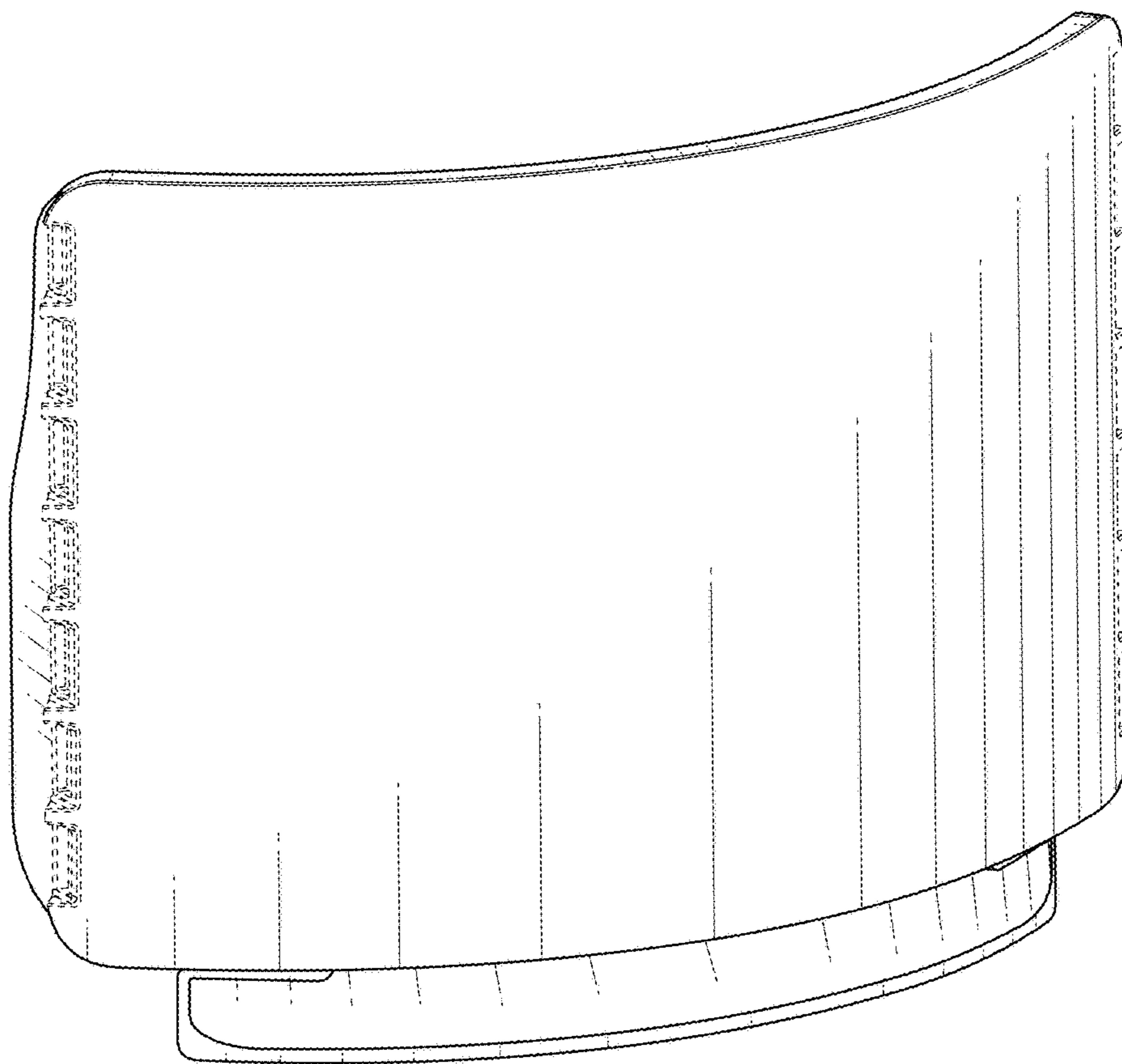


FIG. 8

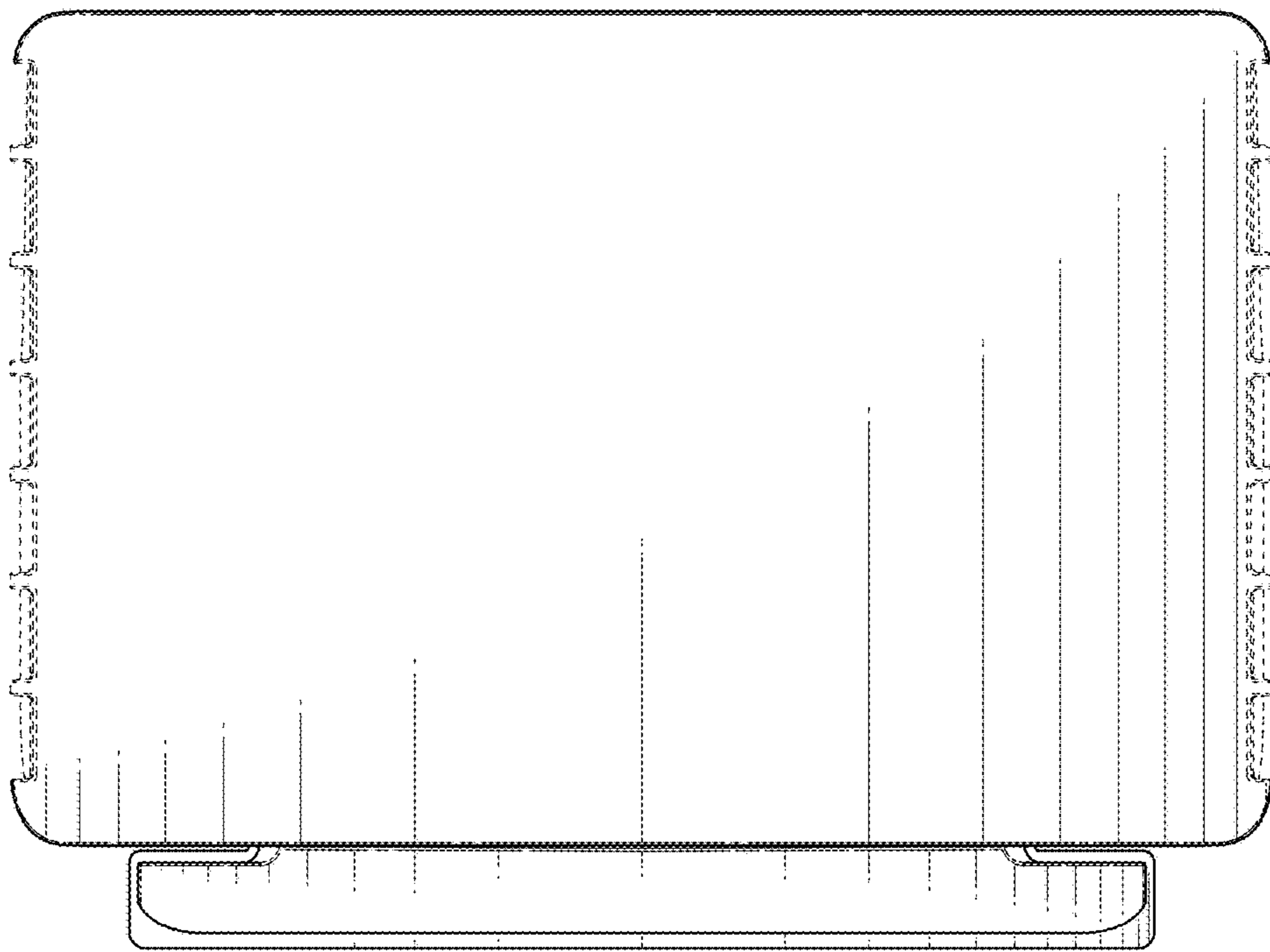


FIG. 9

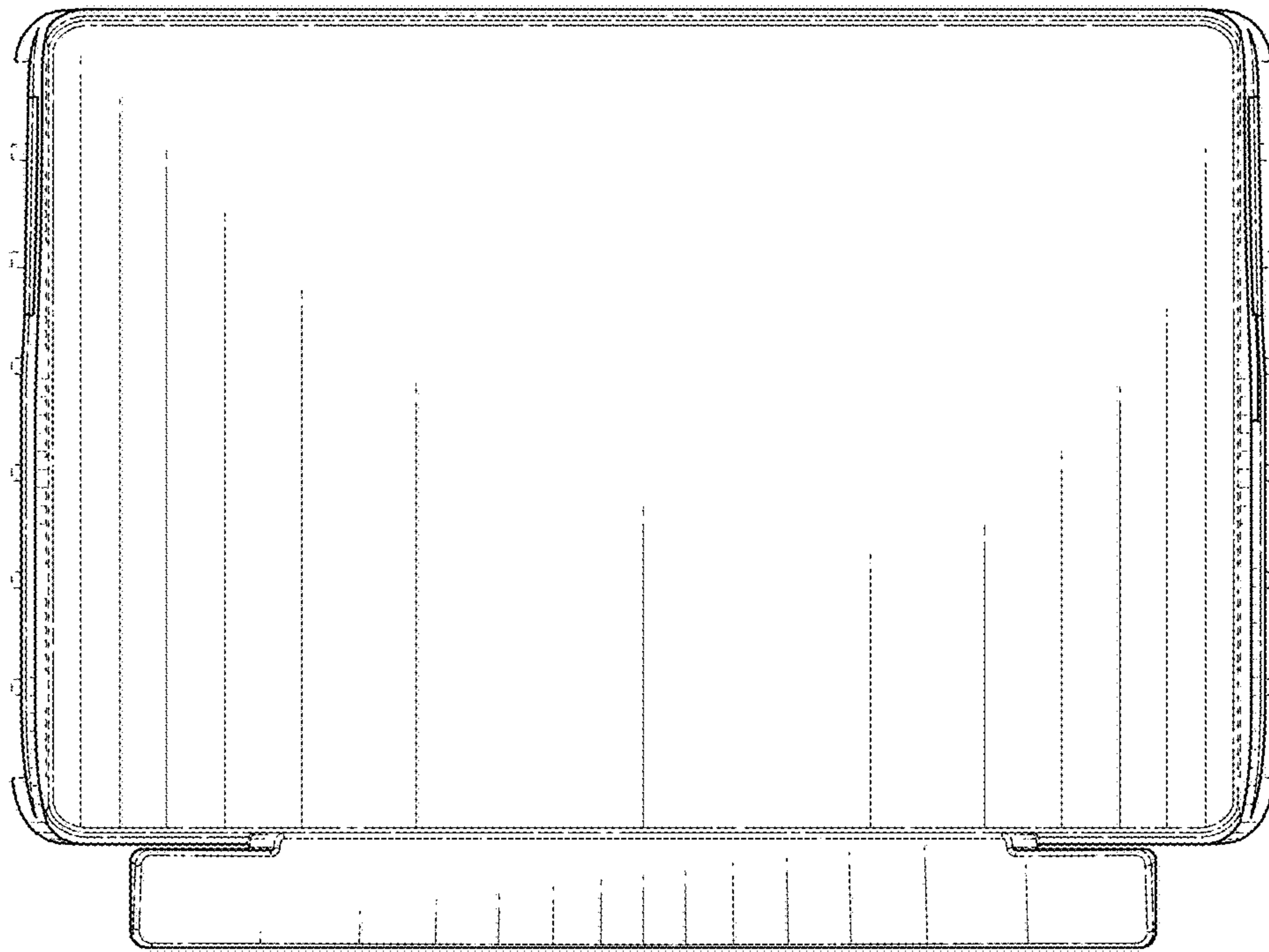


FIG. 10

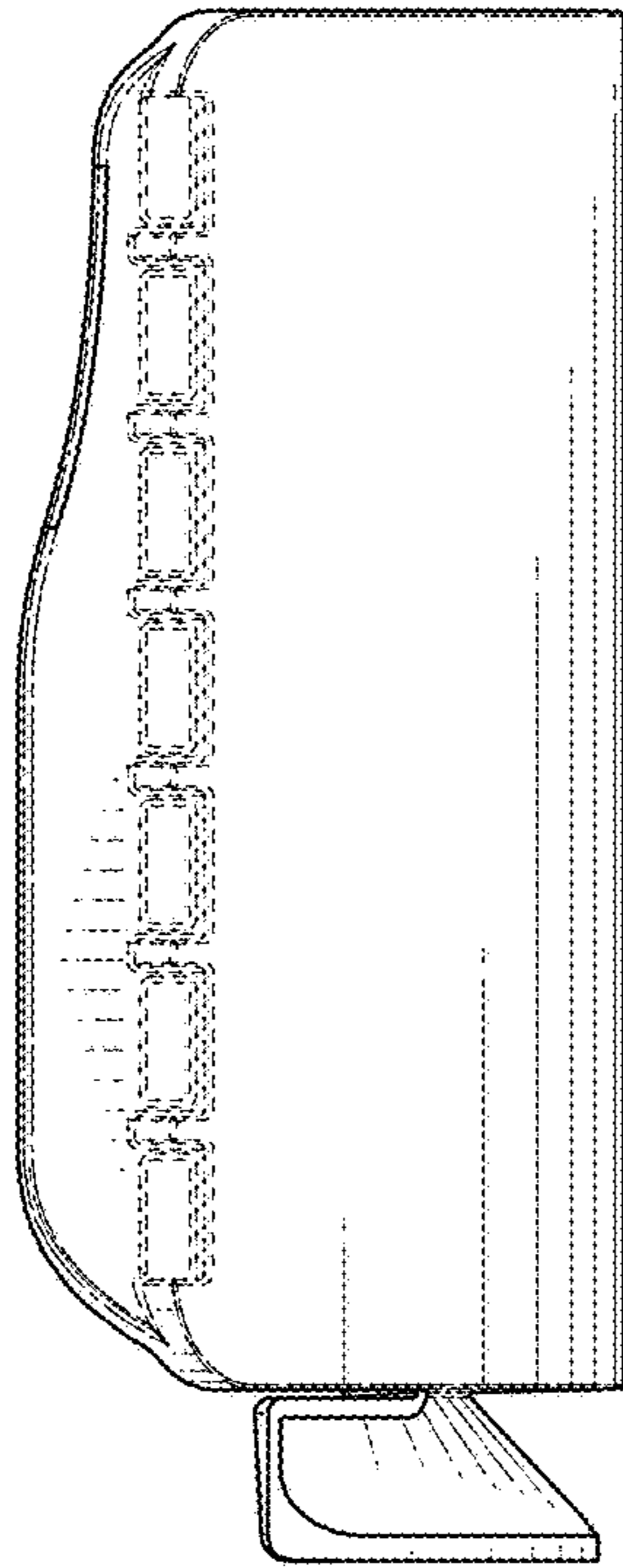


FIG. 11

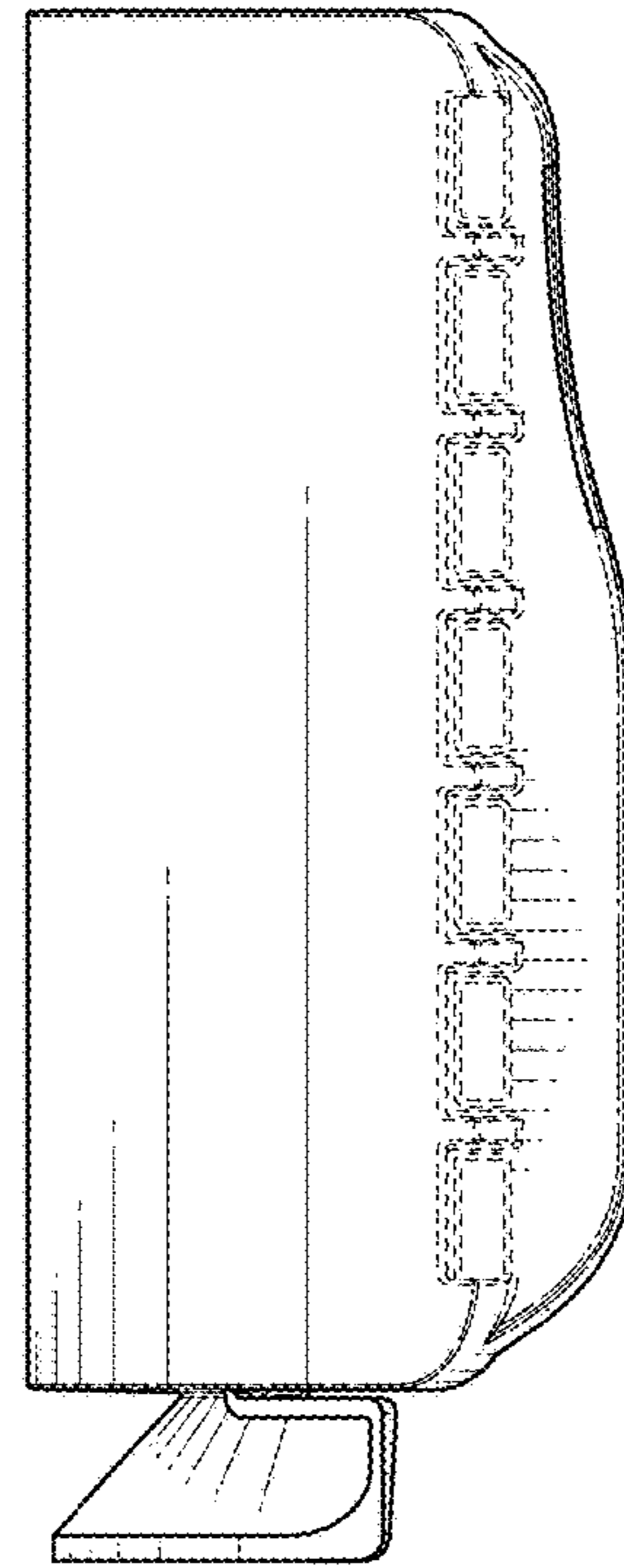


FIG. 12

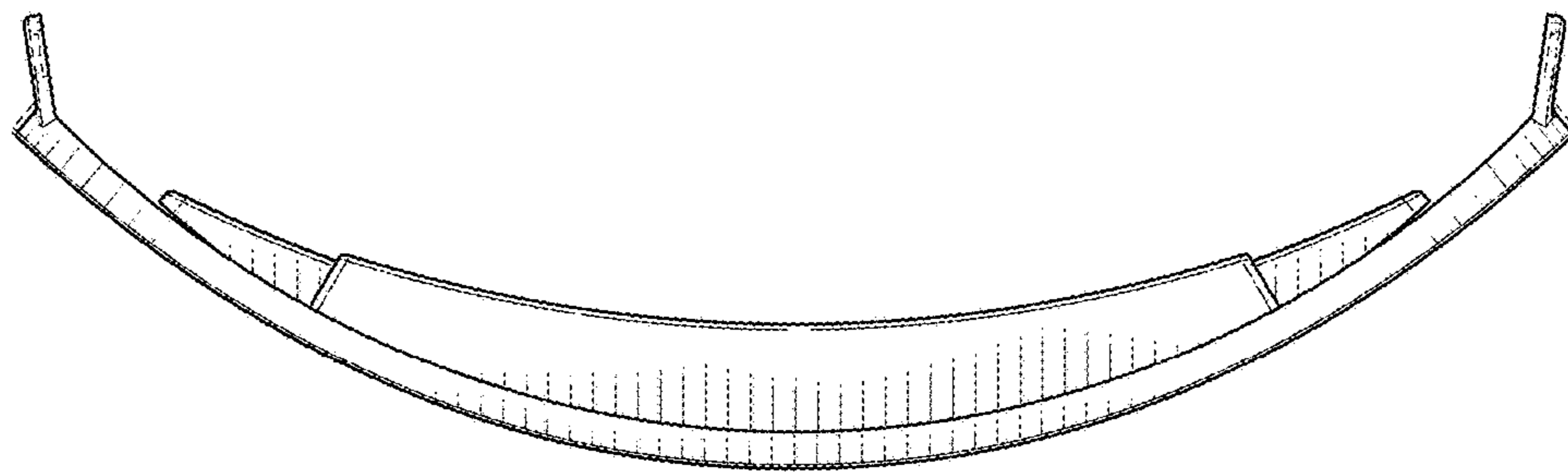


FIG. 13

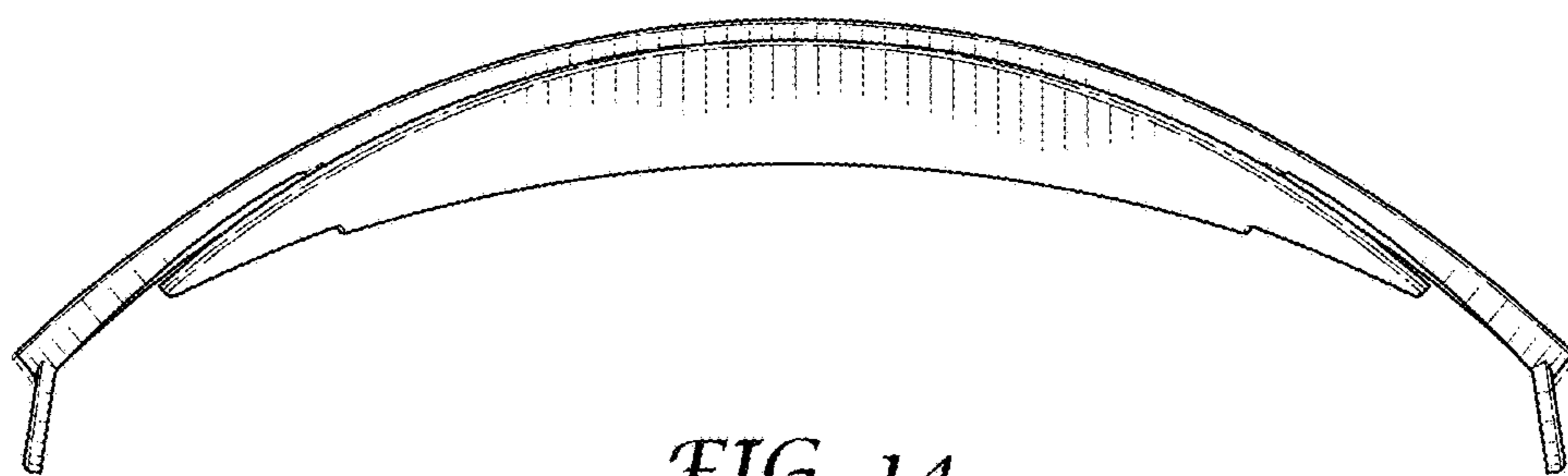


FIG. 14