



US00D854251S

(12) **United States Design Patent**
Swan et al.

(10) **Patent No.:** **US D854,251 S**
(45) **Date of Patent:** **** Jul. 16, 2019**

- (54) **LOAD BEARING HARNESS**
- (71) Applicant: **S&S Precision, LLC**, Virginia Beach, VA (US)
- (72) Inventors: **Johnny E. Swan**, Virginia Beach, VA (US); **Andrew C. Borland**, Virginia Beach, VA (US); **William-Joseph Basan Elizalde**, Virginia Beach, VA (US)
- (73) Assignee: **S&S Precision, LLC**, Virginia Beach, VA (US)
- (**) Term: **15 Years**
- (21) Appl. No.: **29/649,934**
- (22) Filed: **Jun. 4, 2018**
- (51) **LOC (11) Cl.** **29-02**
- (52) **U.S. Cl.**
USPC **D29/101.4**
- (58) **Field of Classification Search**
USPC D29/100, 101, 101.2, 101.3, 101.4, 122, D29/124; D2/626, 829, 830, 860; 362/108; D21/805; 441/88, 106, 108, 441/111, 117; 182/3; 2/48, 51, 92, 102, 2/103, 105, 913, 914, 915
CPC A41D 1/00; A45F 3/00
See application file for complete search history.

- D677,433 S 3/2013 Swan
- 8,418,265 B1 * 4/2013 Storms, Jr. F41H 1/02 2/102
- 9,185,964 B2 11/2015 Crye
- 9,271,559 B2 3/2016 Gleason
- D766,514 S * 9/2016 Deng D29/101.4
- D767,824 S * 9/2016 Hilliard D29/100
- 9,777,997 B2 10/2017 Swan
- 9,995,431 B2 6/2018 Swan
- 2005/0010987 A1 1/2005 Crye et al.
- 2013/0256358 A1 10/2013 Beck
- 2015/0327658 A1 11/2015 Swan

* cited by examiner

Primary Examiner — Randall H Gholson
(74) *Attorney, Agent, or Firm* — Tanner IP, PLLC

(57) **CLAIM**

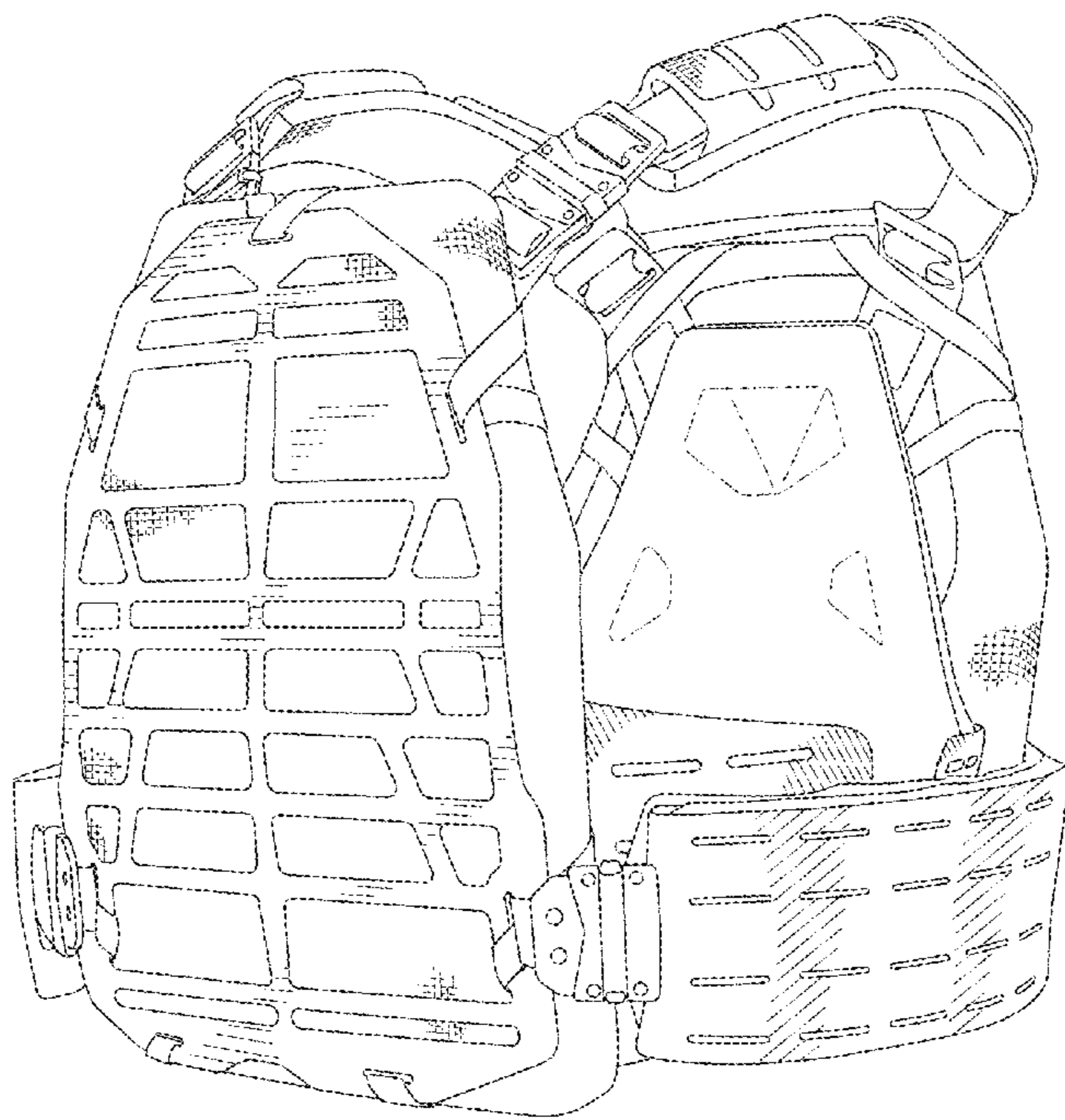
The ornamental design for a load bearing harness, as shown and described.

DESCRIPTION

FIG. 1 is a top down view of a load bearing harness, showing our new design;
FIG. 2 is a bottom up view thereof;
FIG. 3 is a front elevation view thereof;
FIG. 4 is a back elevation view thereof;
FIG. 5 is a left side elevation view thereof;
FIG. 6 is a right side elevation view thereof;
FIG. 7 is a front perspective view thereof; and,
FIG. 8 is a back perspective view thereof.
The broken line portions showing webbing in FIGS. 1-8 are shown to illustrate environment only and form no part of the claimed design.

1 Claim, 8 Drawing Sheets

- (56) **References Cited**
U.S. PATENT DOCUMENTS
7,424,748 B1 * 9/2008 McDunn F41H 5/013 2/102
7,712,148 B2 5/2010 Carlson



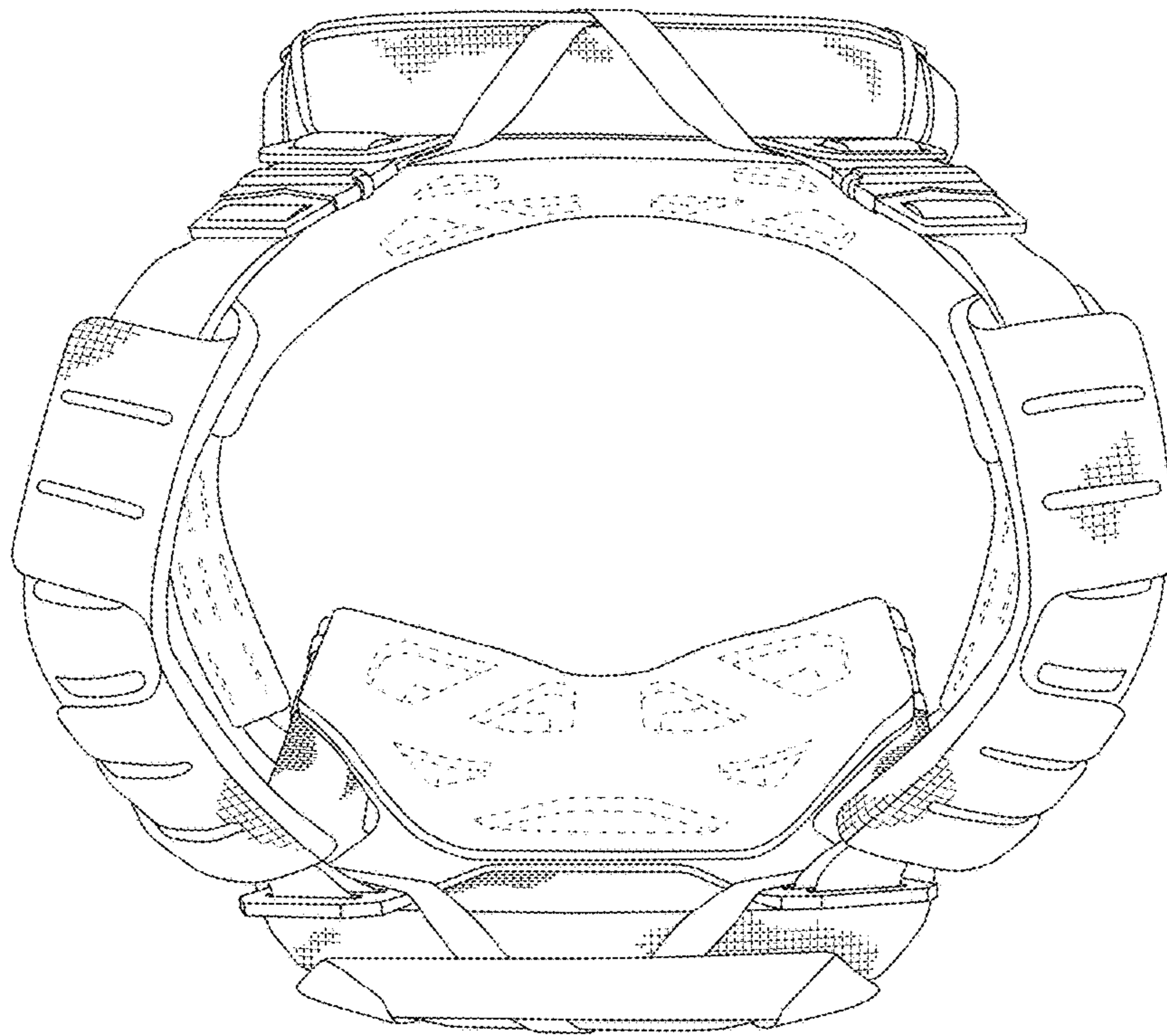


FIG. 1

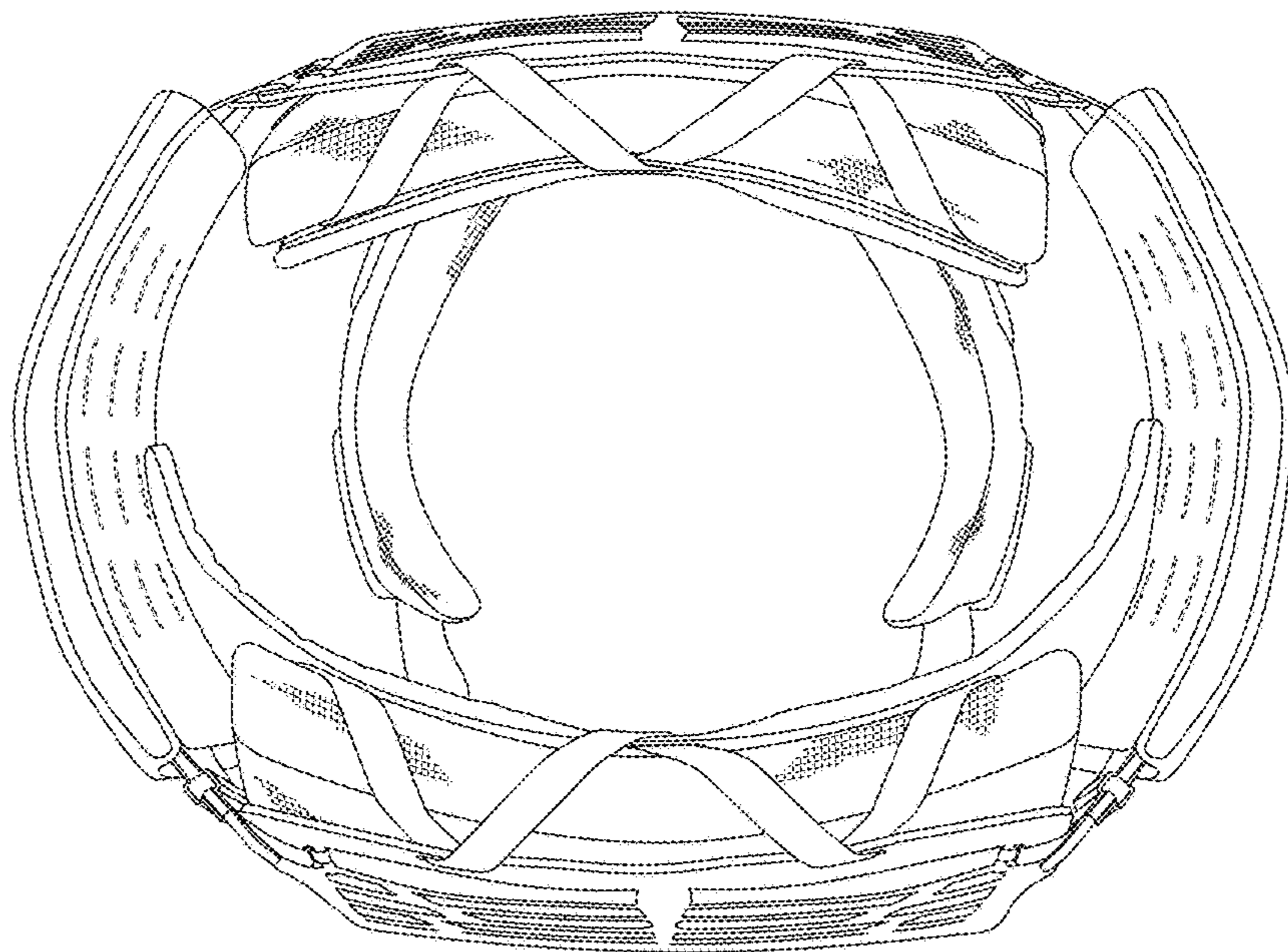


FIG. 2

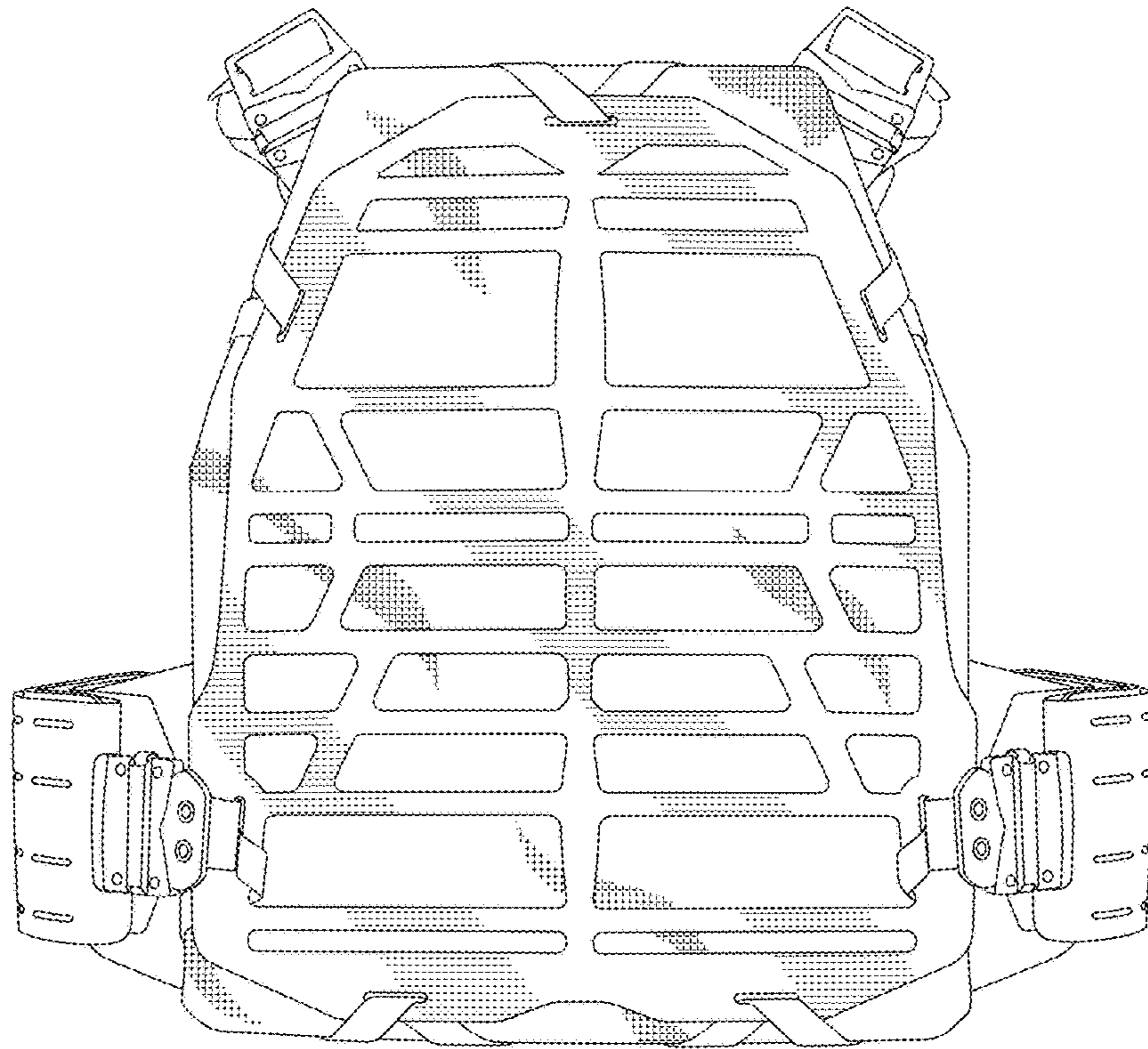


FIG. 3

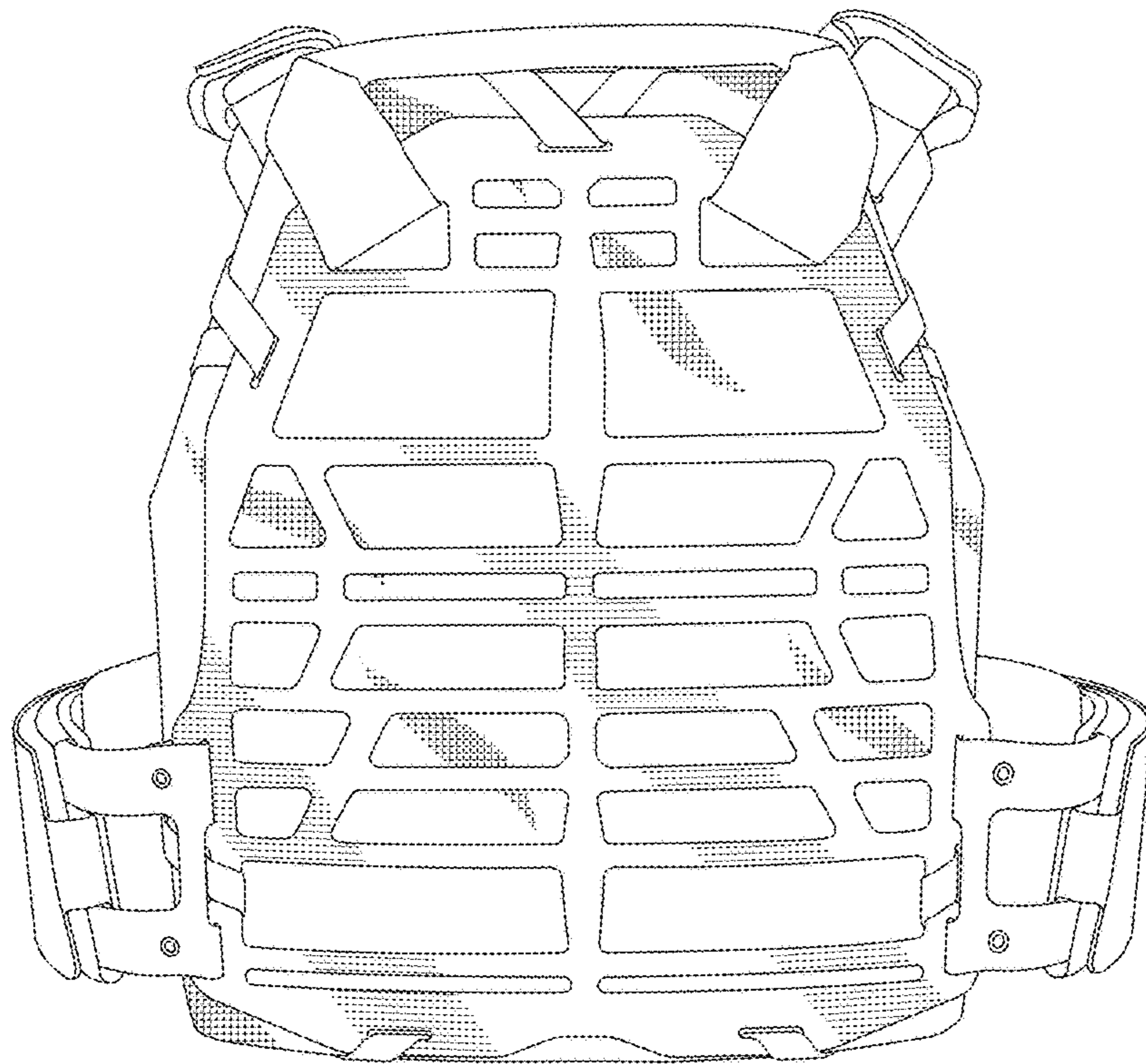


FIG. 4

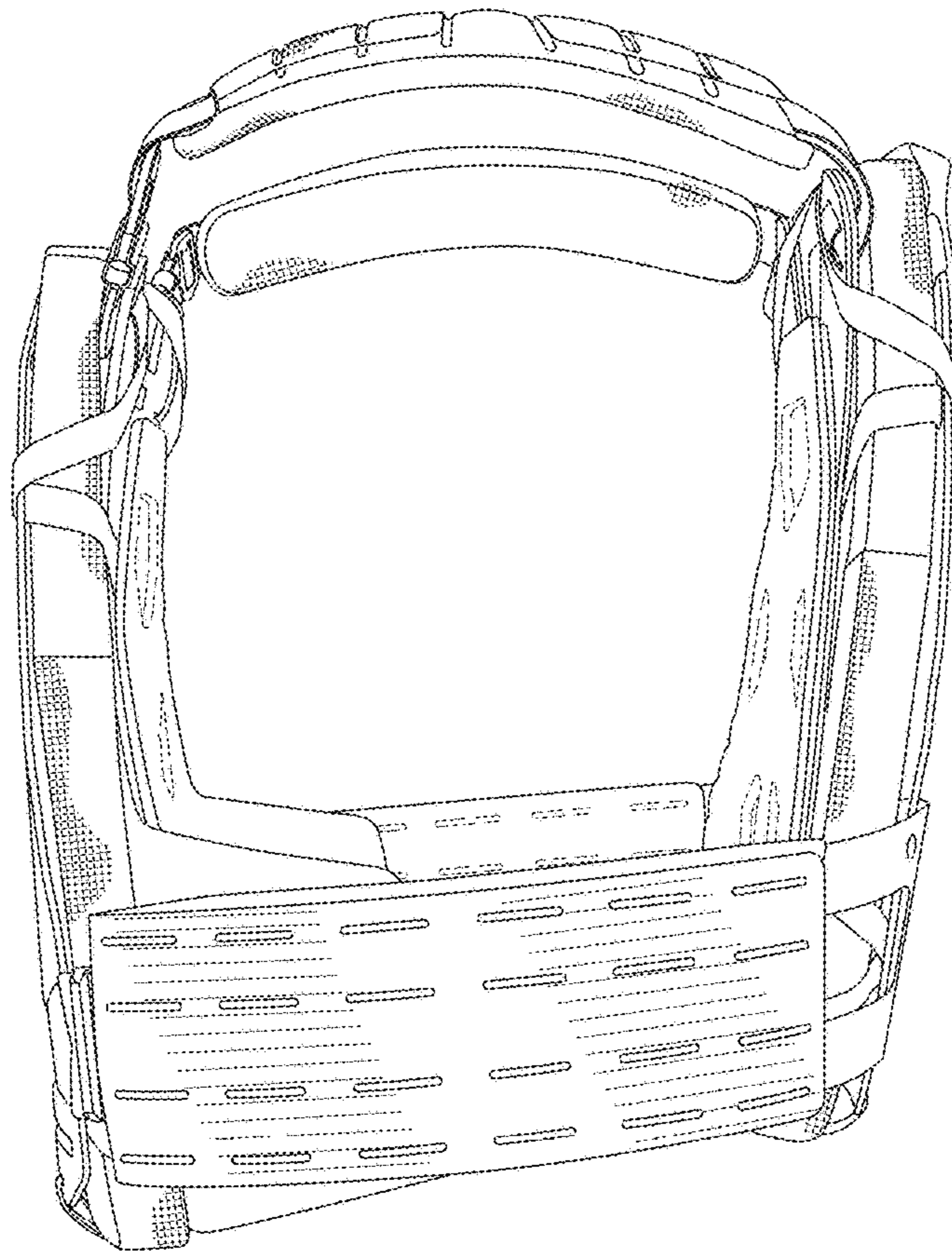


FIG. 5

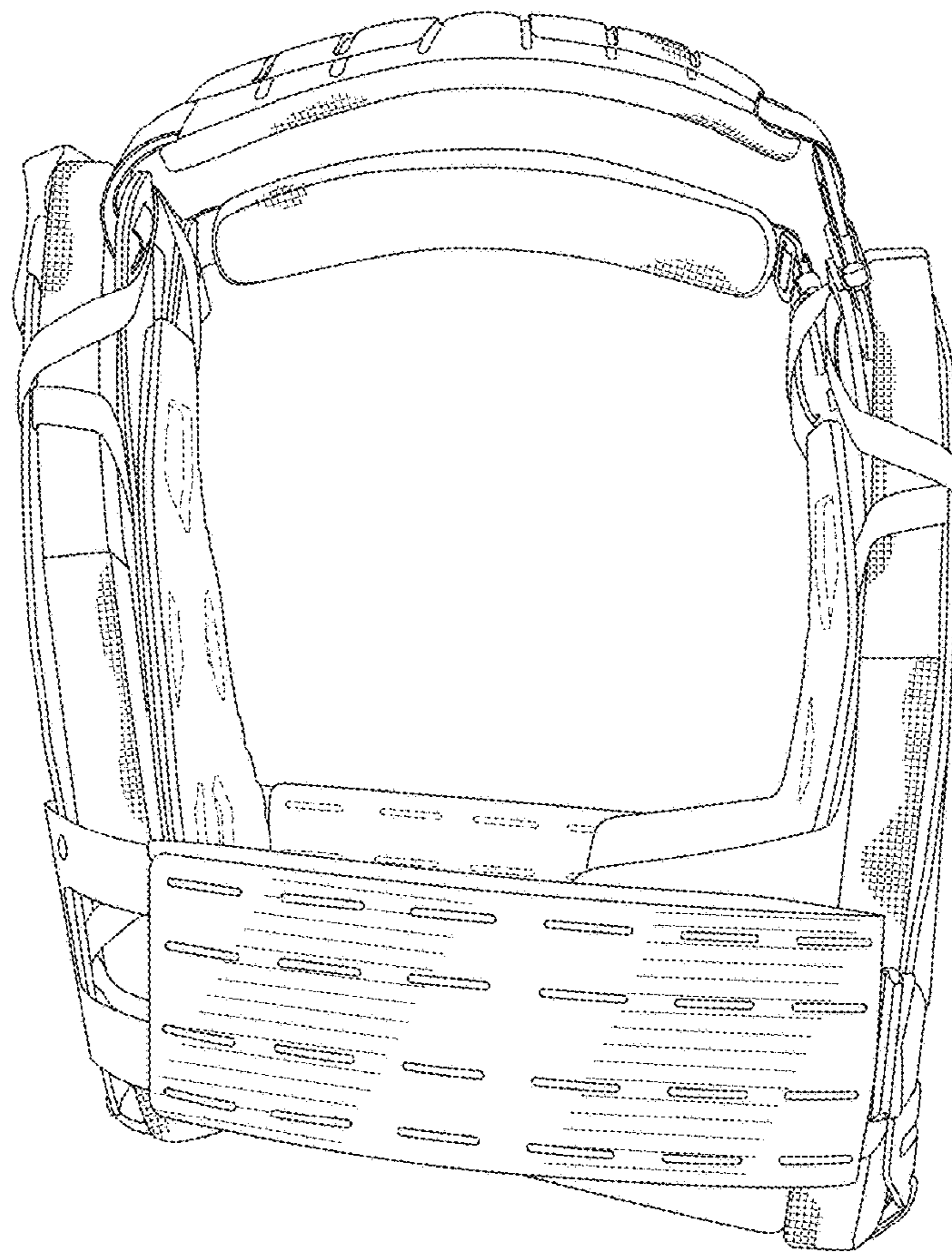


FIG. 6

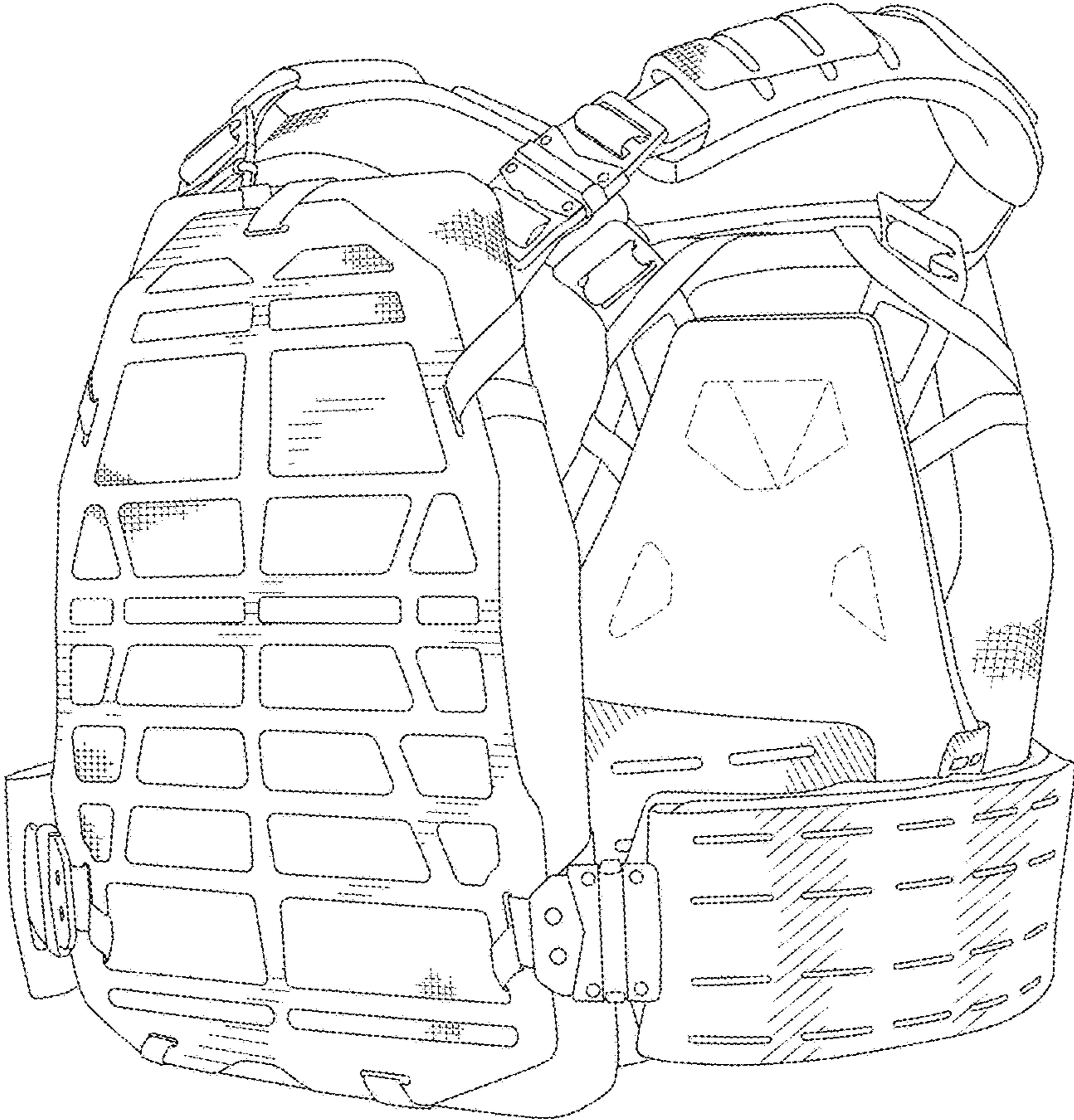


FIG. 7

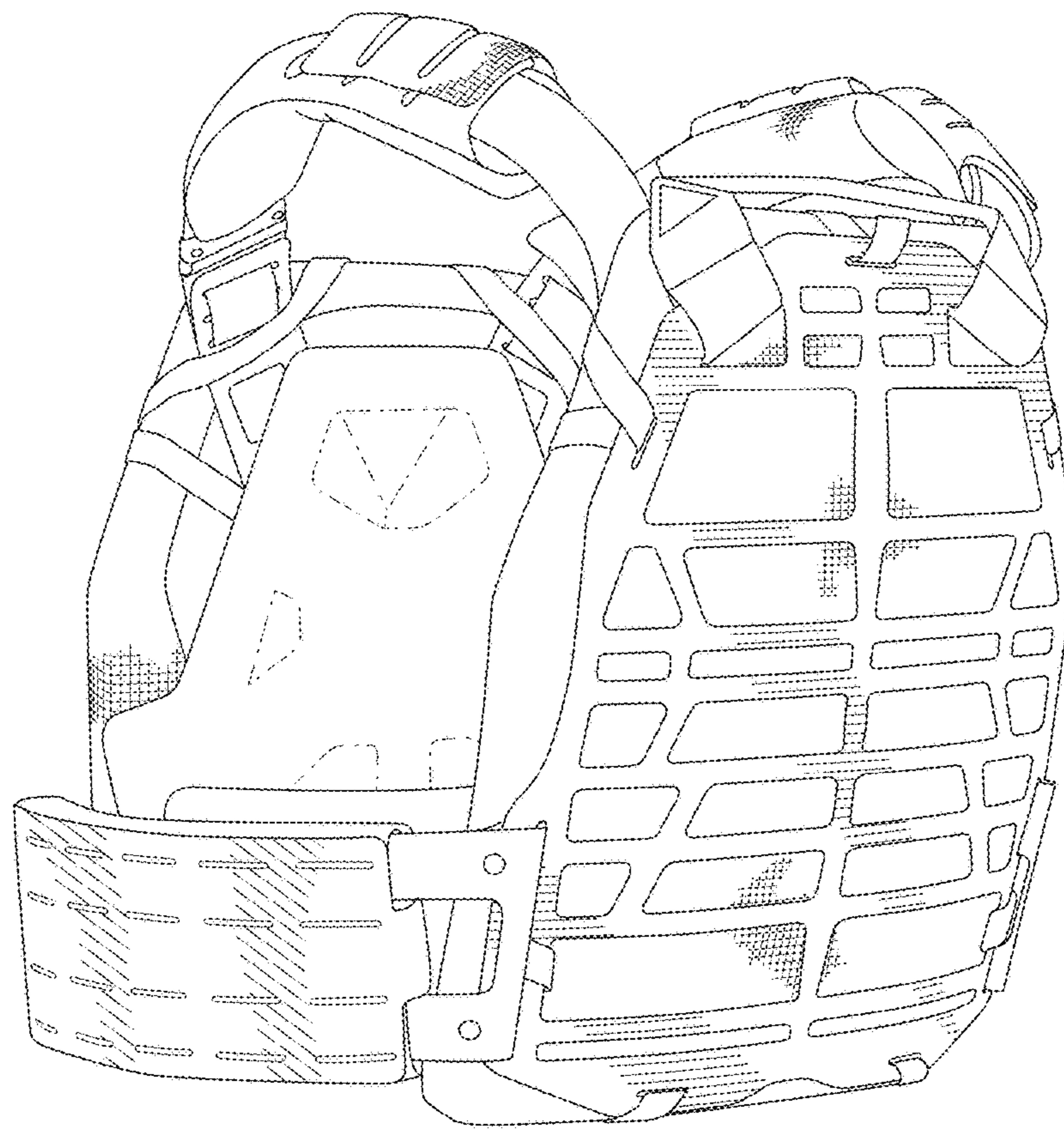


FIG. 8