



US00D854250S

(12) **United States Design Patent** (10) **Patent No.:** **US D854,250 S**  
**Huang** (45) **Date of Patent:** **\*\* Jul. 16, 2019**

(54) **BRUSH HOLDER**  
(71) Applicant: **ACTMAN CORP.**, Taipei Hsien (TW)  
(72) Inventor: **Chu Chau Huang**, Taipei Hsien (TW)  
(73) Assignee: **Actman Corp.**, Taipei Hsien (TW)  
(\*\*) Term: **15 Years**

(21) Appl. No.: **29/589,100**  
(22) Filed: **Dec. 28, 2016**  
(51) **LOC (11) Cl.** ..... **28-03**  
(52) **U.S. Cl.**  
USPC ..... **D28/73**  
(58) **Field of Classification Search**  
USPC ..... D28/61, 73; D32/58, 59; D11/152;  
211/1.52, 1.53, 1.55, 65, 74, 196;  
D7/600.4, 614-615  
CPC ..... A47G 29/08; A46B 17/00; A46B 17/02  
See application file for complete search history.

(56) **References Cited**  
U.S. PATENT DOCUMENTS  
1,643,735 A \* 9/1927 Baker ..... A47G 23/0625  
118/31  
2,534,680 A \* 12/1950 Poirier ..... A47G 23/025  
211/205  
3,049,137 A \* 8/1962 Cole ..... B08B 9/423  
134/152  
D194,325 S \* 1/1963 Swett ..... D7/505  
3,146,906 A \* 9/1964 Swett ..... A47G 23/06  
206/203  
3,665,867 A \* 5/1972 Carlson ..... A47B 31/02  
108/25  
D234,381 S \* 2/1975 Berger ..... D6/677.1  
3,951,079 A \* 4/1976 Tolleson ..... A47F 5/02  
108/94  
D263,780 S \* 4/1982 Hildebrand ..... D6/552  
D272,212 S \* 1/1984 Daenen ..... D7/505  
4,688,684 A \* 8/1987 Young ..... A47F 7/281  
108/106  
D300,266 S \* 3/1989 Lane ..... D11/118

D375,580 S \* 11/1996 Giedd ..... D19/103  
5,772,050 A \* 6/1998 Shih ..... B41K 1/58  
211/163  
D414,001 S \* 9/1999 Crotte ..... D19/77  
(Continued)

**FOREIGN PATENT DOCUMENTS**

KR 300912347.0000 \* 6/2017

**OTHER PUBLICATIONS**

Collapsible Makeup Brush Drying Organizer, Danielle, published at amazon.com, date not listed, posted by Danielle © 1996-2018 Amazon.com, online, site visited Feb. 12, 2018. Available from Internet, URL: <https://www.amazon.in/Danielle-Collapsible-Makeup-Drying-Organizer/dp/B071YPM2J5> (Year: 0000).\*

*Primary Examiner* — Shannon W Morgan  
*Assistant Examiner* — Altaira J Swangin  
(74) *Attorney, Agent, or Firm* — Rosenberg, Klein & Lee

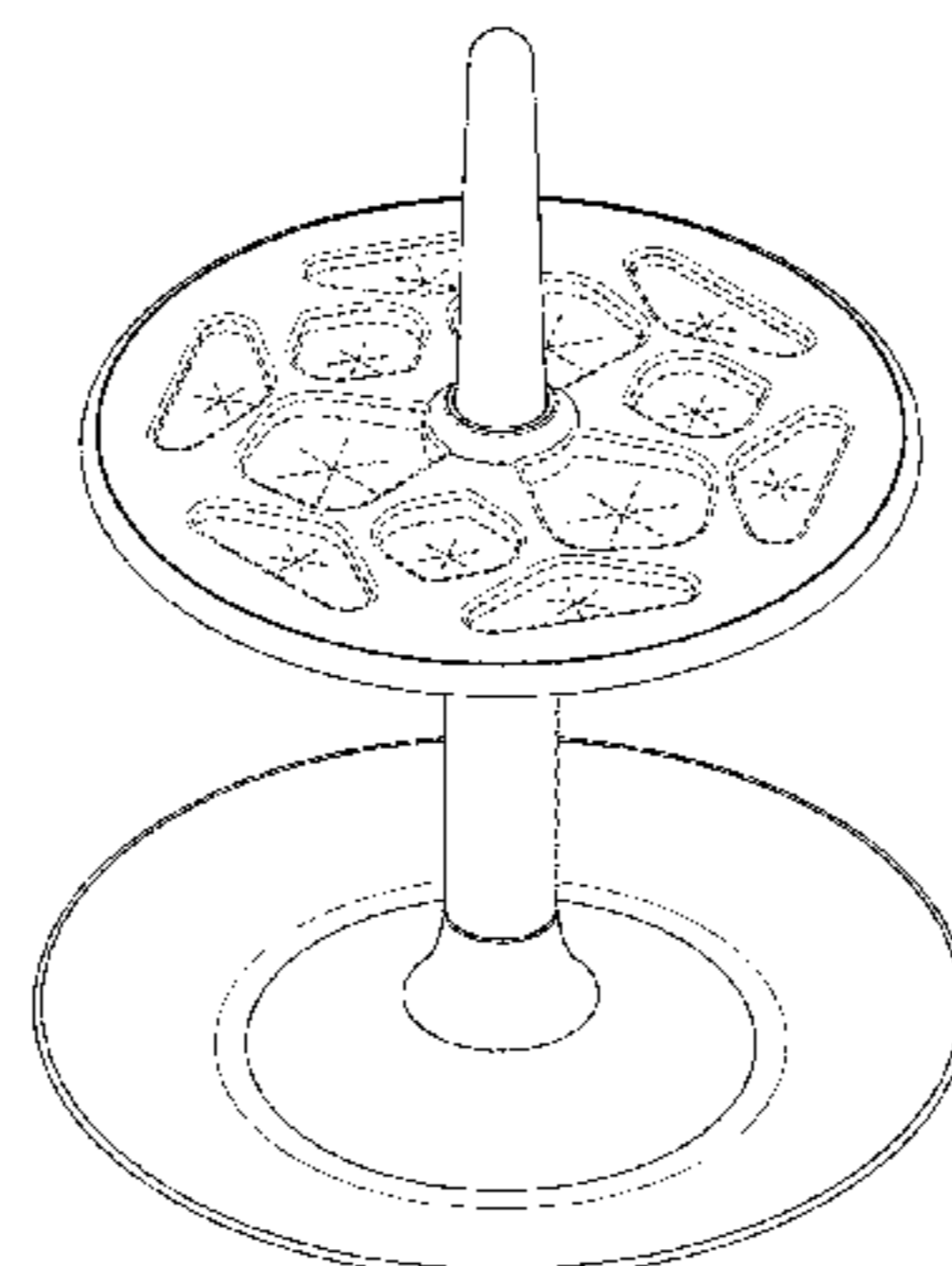
(57) **CLAIM**

The ornamental design for a brush holder, as shown and described.

**DESCRIPTION**

FIG. 1 is a perspective view of a brush holder showing my new design;  
FIG. 2 is a front elevational view thereof;  
FIG. 3 is a rear elevational view thereof;  
FIG. 4 is a left side elevational view thereof;  
FIG. 5 is a right side elevational view thereof;  
FIG. 6 is a top plan view thereof; and,  
FIG. 7 is a bottom plan view thereof.  
The broken lines, shown in FIGS. 1-7, and the areas within the broken lines represent portions of the brush holder which form no part of the claimed design.

**1 Claim, 7 Drawing Sheets**



(56)

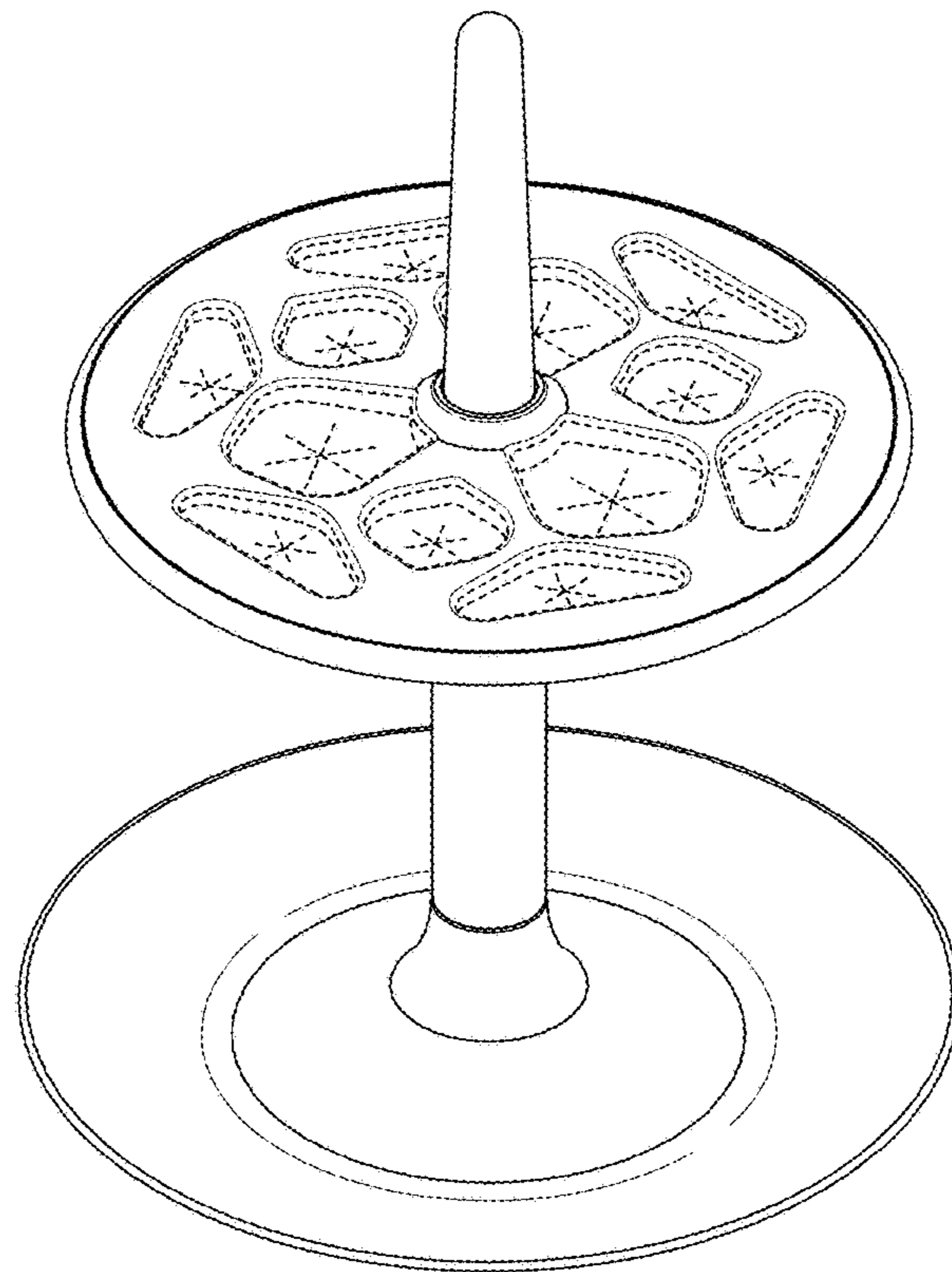
References Cited

U.S. PATENT DOCUMENTS

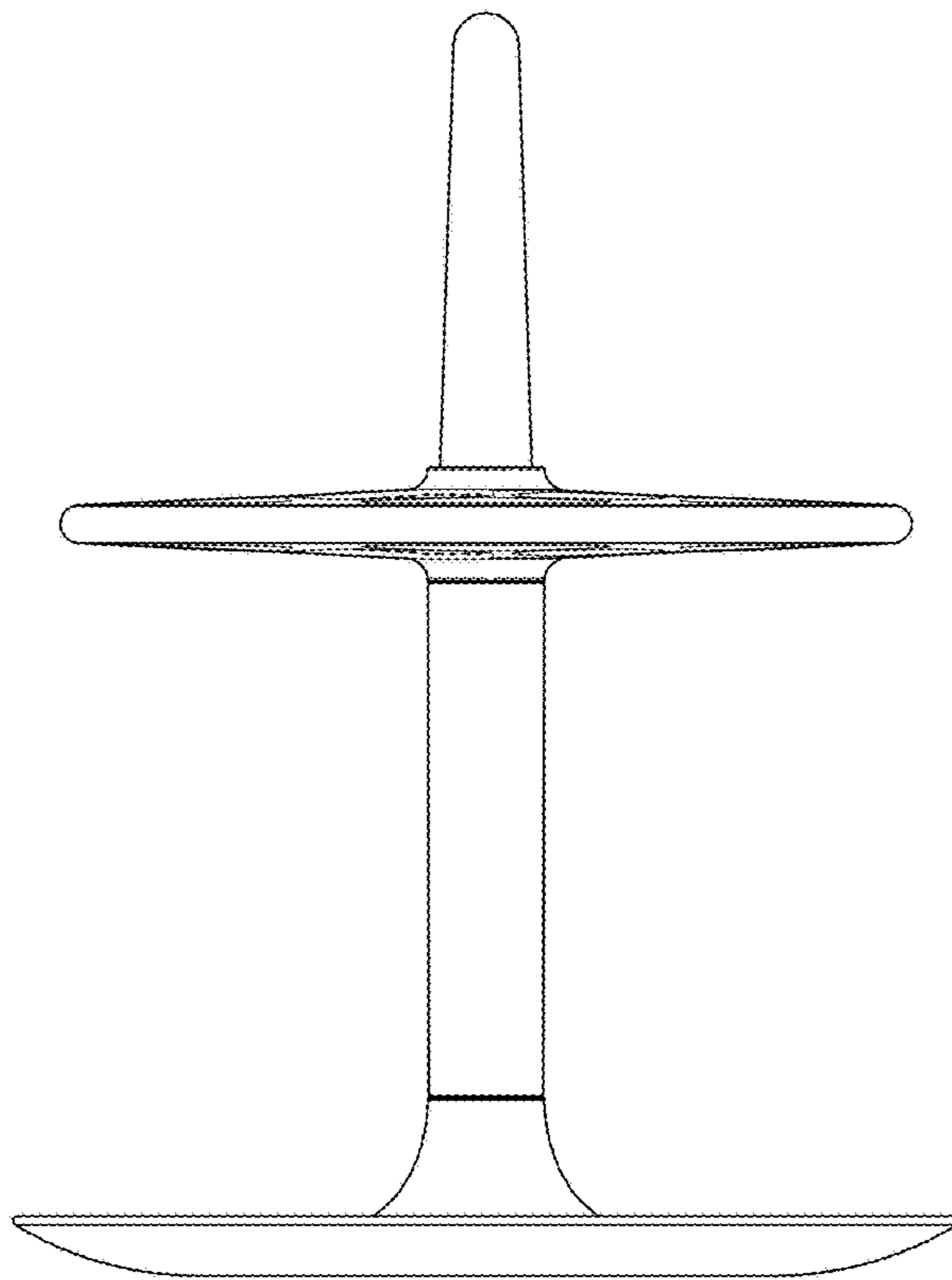
5,966,868 A \* 10/1999 Cox ..... A01K 45/002  
119/69.5  
D421,549 S \* 3/2000 Hints ..... D7/505  
D423,292 S \* 4/2000 Horvat ..... D7/553.6  
D448,622 S \* 10/2001 Horvat ..... D7/501  
D461,609 S \* 8/2002 Sands ..... D32/54  
6,520,352 B2 \* 2/2003 Mondragon ..... A47F 5/02  
211/129.1  
D477,734 S \* 7/2003 Snell ..... D6/534  
D480,938 S \* 10/2003 Whitley ..... D8/71  
D502,786 S \* 3/2005 Cheung ..... D28/20  
D509,994 S \* 9/2005 Hadland ..... D7/587  
D512,282 S \* 12/2005 Martin ..... D7/600.4  
D513,948 S \* 1/2006 Martin ..... D7/600.4  
D559,472 S \* 1/2008 Abinanti ..... D30/129  
D577,962 S \* 10/2008 Bauer ..... D7/552.2  
D605,353 S \* 12/2009 Lee ..... D28/73  
D609,864 S \* 2/2010 Tsai ..... D30/127  
D649,302 S \* 11/2011 Hickok ..... D30/123  
8,074,814 B2 \* 12/2011 Morris ..... A47K 1/09  
206/362.1  
D658,011 S \* 4/2012 Goode ..... D7/610  
D664,010 S \* 7/2012 Goode ..... D7/610  
D679,056 S \* 3/2013 Mazza ..... D28/73  
D707,493 S \* 6/2014 Frei ..... D7/558

8,985,351 B1 \* 3/2015 Longo ..... A47F 3/0404  
211/13.1  
D727,014 S \* 4/2015 De Anhaya ..... D28/73  
D754,401 S \* 4/2016 Seiler ..... D28/73  
9,380,860 B1 \* 7/2016 Taylor ..... A46B 17/06  
D764,709 S \* 8/2016 Filho ..... D28/73  
D770,684 S \* 11/2016 Petruccelli ..... D28/38  
D778,501 S \* 2/2017 Tokko ..... D28/10  
D802,237 S \* 11/2017 Huang ..... D32/35  
9,848,723 B1 \* 12/2017 Huang ..... A47G 29/08  
9,949,554 B2 \* 4/2018 Sullivan ..... A47F 5/08  
D830,723 S \* 10/2018 Goding ..... D6/536  
D834,275 S \* 11/2018 Shinn ..... D32/55  
D836,719 S \* 12/2018 Smith ..... D19/85  
D838,119 S \* 1/2019 Goding ..... D6/536  
10,179,334 B2 \* 1/2019 Driscoll ..... B01L 9/54  
D839,671 S \* 2/2019 Greenwood ..... D7/501  
2002/0170868 A1 \* 11/2002 Morgan ..... A47G 19/30  
211/77  
2012/0031806 A1 \* 2/2012 Riley ..... A47G 23/0208  
206/563  
2012/0318761 A1 \* 12/2012 Volk ..... A47K 1/09  
211/65  
2015/0150420 A1 \* 6/2015 Volk ..... A47K 1/09  
15/167.1  
2015/0182054 A1 \* 7/2015 Shames ..... A47G 23/0641  
206/217  
2017/0215556 A1 \* 8/2017 Sullivan ..... A47F 5/08

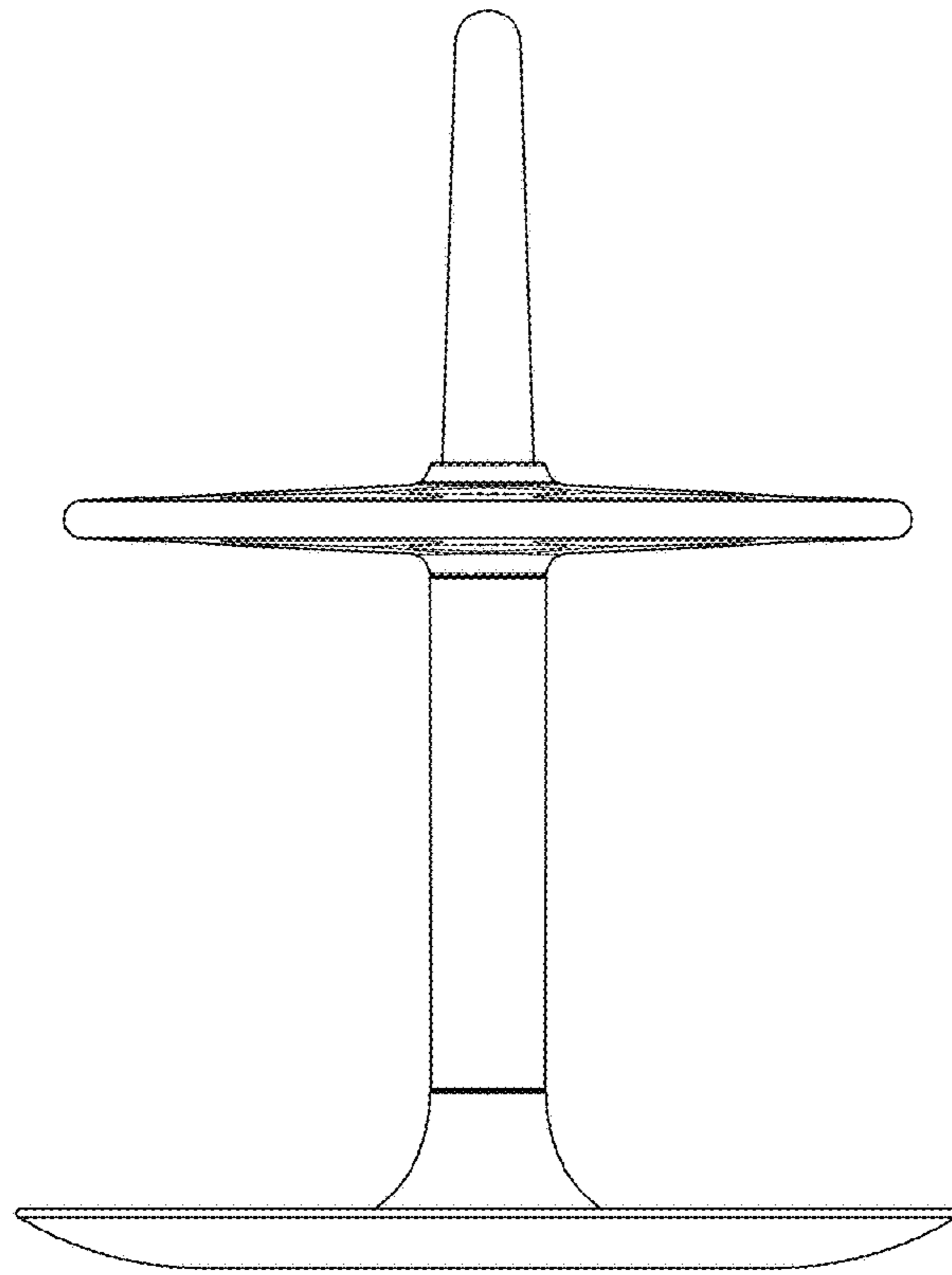
\* cited by examiner



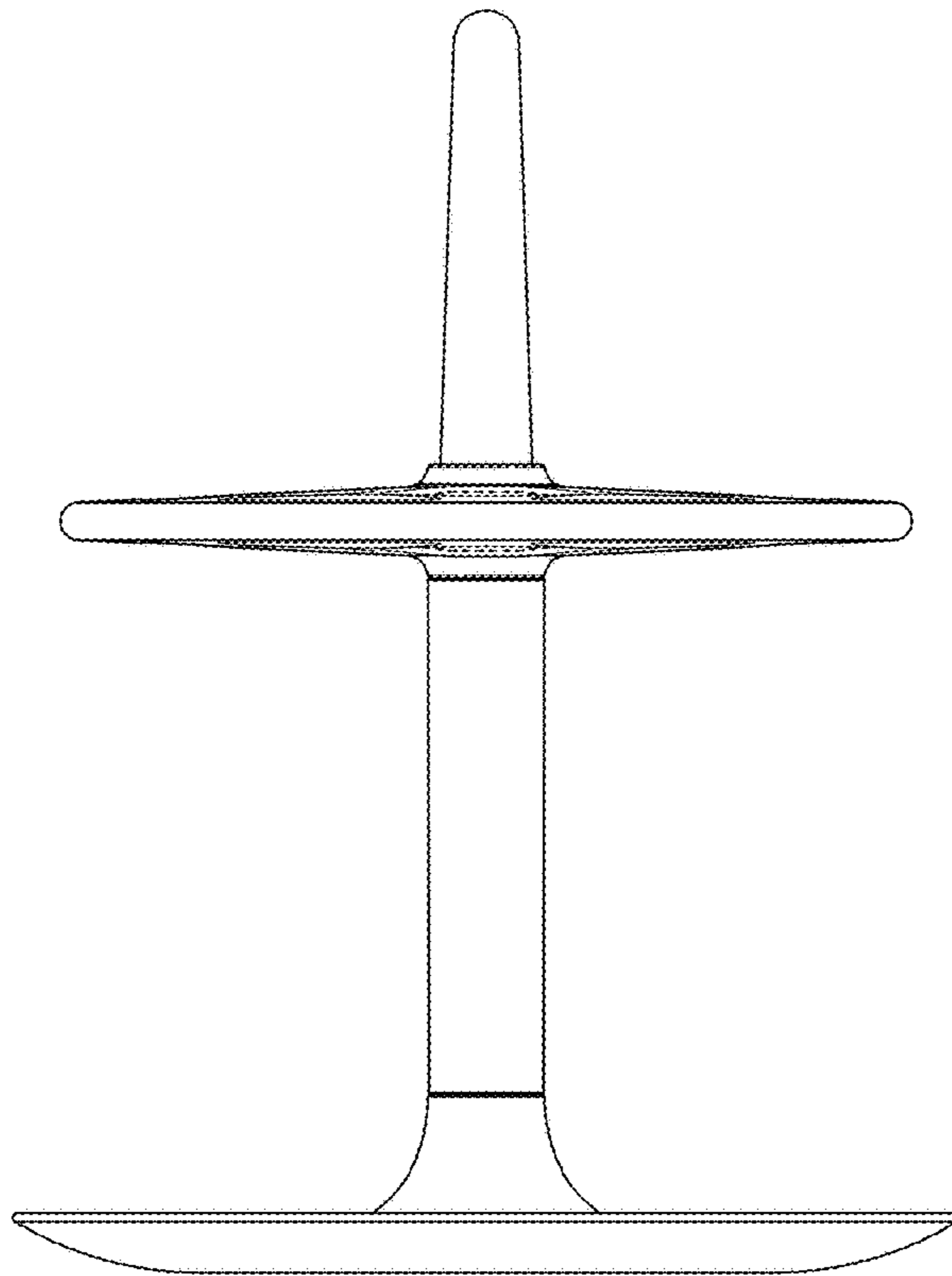
**FIG. 1**



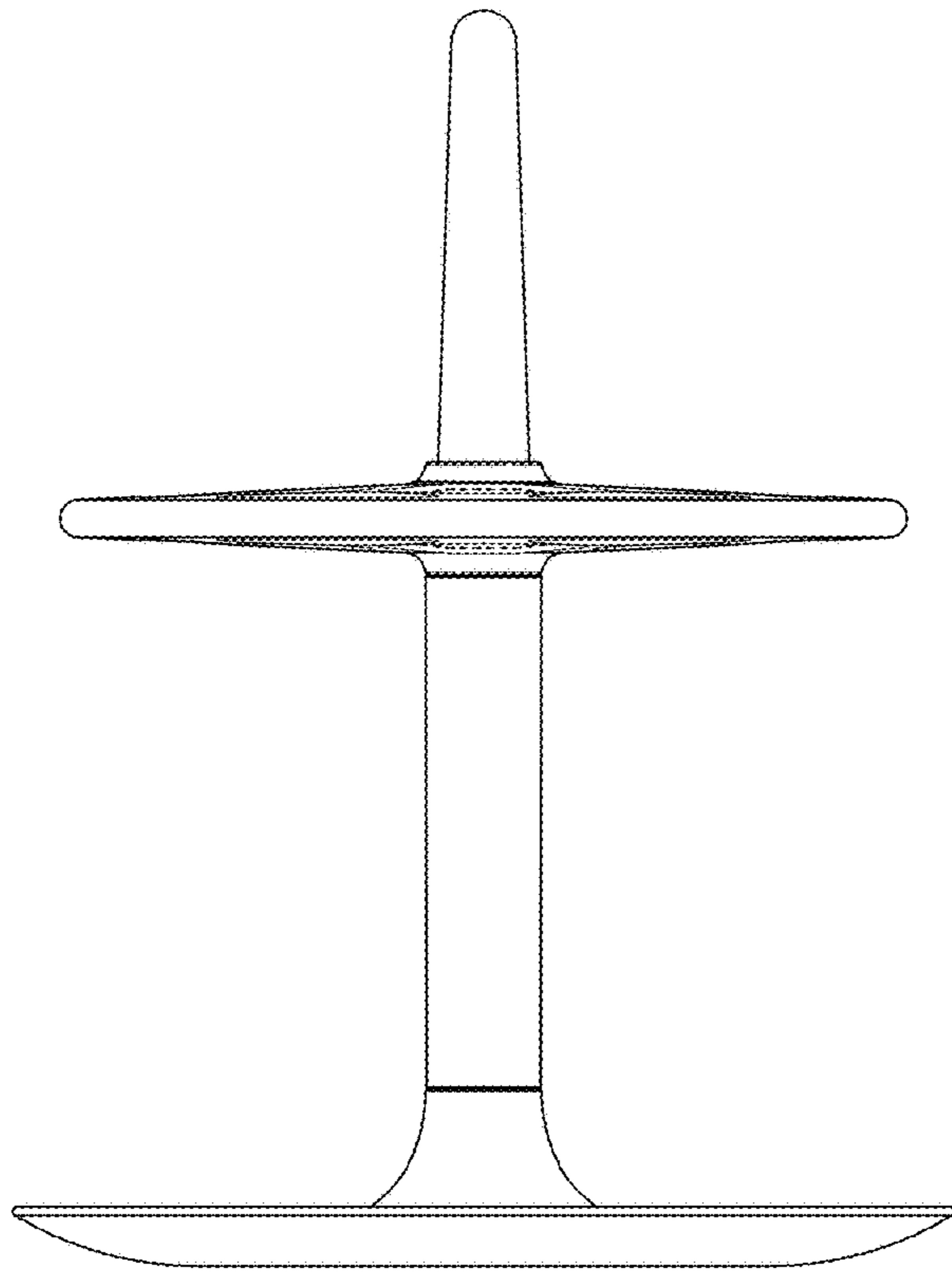
**FIG. 2**



**FIG. 3**

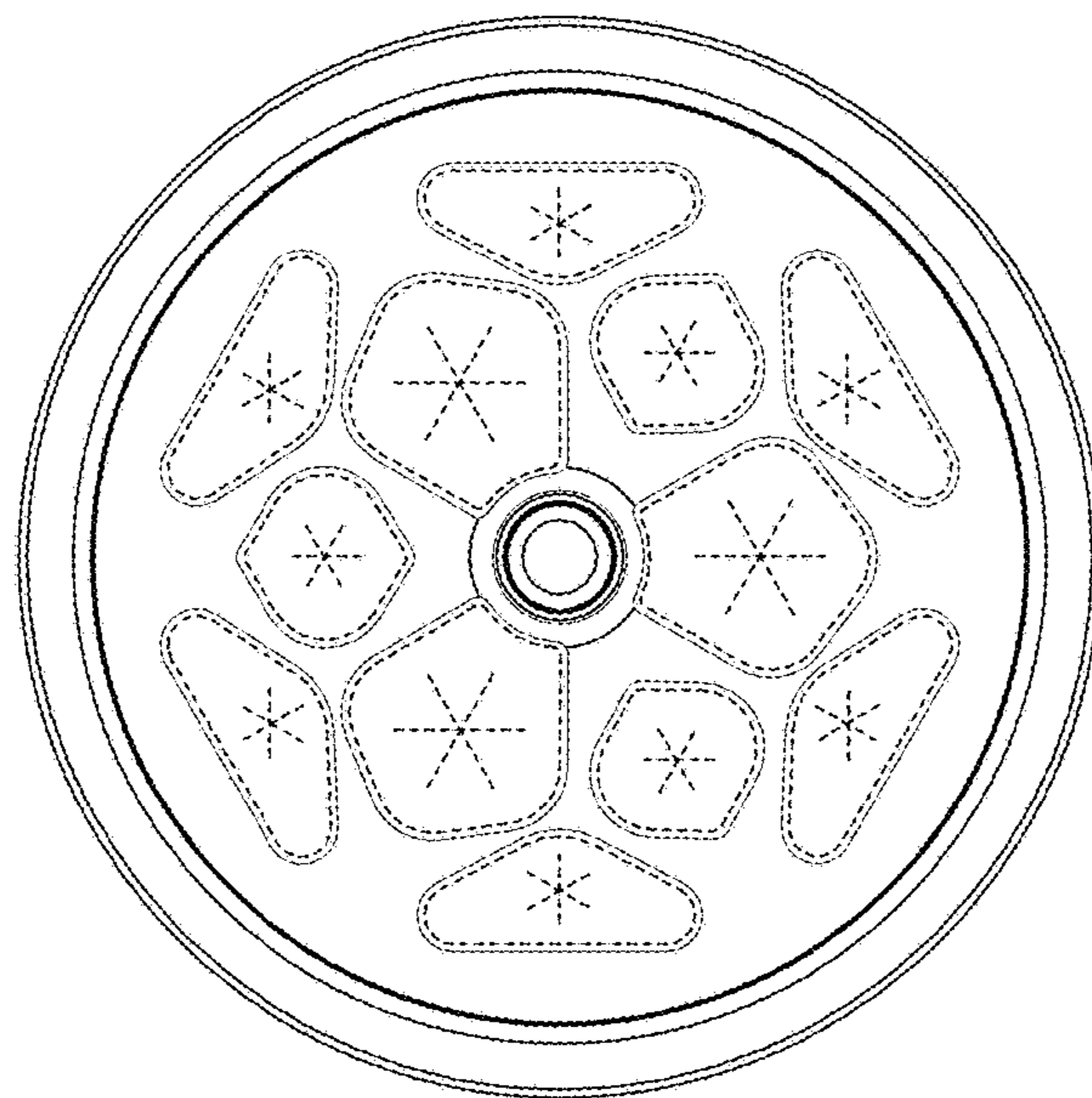


**FIG. 4**



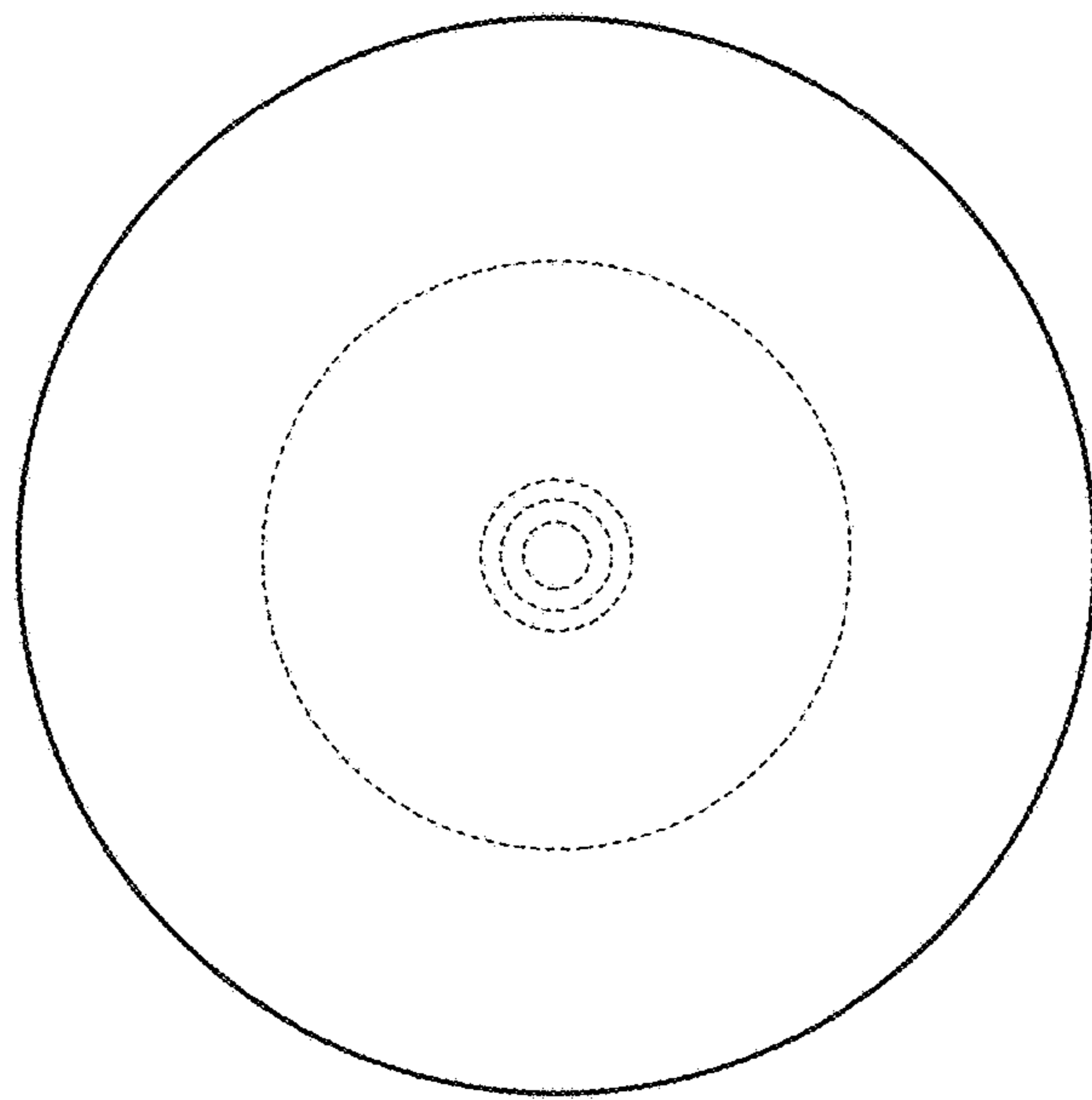
**FIG. 5**





**FIG. 6**





**FIG. 7**