



US00D854248S

(12) **United States Design Patent**  
**Woolfson**

(10) **Patent No.:** **US D854,248 S**  
(45) **Date of Patent:** **\*\* Jul. 16, 2019**

- (54) **RAZOR**
- (71) Applicant: **EVOSHAVE LIMITED**, London (GB)
- (72) Inventor: **Robert Woolfson**, Herts (GB)
- (73) Assignee: **EVOSHAVE LIMITED**, London (GB)
- (\*\*) Term: **15 Years**
- (21) Appl. No.: **29/572,903**
- (22) Filed: **Aug. 1, 2016**

**Related U.S. Application Data**

- (63) Continuation of application No. 14/343,811, filed on Jun. 2, 2014, now abandoned.

**Foreign Application Priority Data**

- Sep. 8, 2011 (GB) ..... 1115491.1
- (51) **LOC (11) Cl.** ..... **28-03**
- (52) **U.S. Cl.**  
USPC ..... **D28/48**

(58) **Field of Classification Search**

USPC ..... D28/44, 45-48  
 CPC ..... B26B 21/54-60; B26B 21/00-06; B26B 21/08-125; B26B 21/14-20; B26B 21/22-24; B26B 21/28; B26B 21/30-32; B26B 21/34-38; B26B 21/40-4031; B26B 21/4043; B26B 21/4062; B26B 21/4068-4075; B26B 21/44-443; B26B 21/52-528

See application file for complete search history.

(56) **References Cited**

**U.S. PATENT DOCUMENTS**

- 971,772 A \* 10/1910 Millar ..... B26B 21/14 2/21
- 1,917,812 A \* 7/1933 Robinson ..... B26B 21/527 30/534

- 6,029,356 A \* 2/2000 Sprinkle ..... B26B 21/08 30/298
- 6,112,421 A \* 9/2000 Greene ..... B26B 21/527 30/298
- 6,823,594 B2 \* 11/2004 Kludjian ..... B26B 21/22 30/298
- 7,140,115 B2 \* 11/2006 Greene ..... B26B 21/40 30/526
- D744,165 S \* 11/2015 Tucker ..... D28/47
- D749,265 S \* 2/2016 Cataudella ..... D28/47
- 2003/0033717 A1 \* 2/2003 Cecil ..... B26B 21/22 30/50
- 2005/0066532 A1 \* 3/2005 Kludjian ..... B26B 21/22 30/536
- 2011/0016734 A1 \* 1/2011 Kludjian ..... B26B 21/22 30/526

(Continued)

*Primary Examiner* — Jennifer Rivard

(74) *Attorney, Agent, or Firm* — Ladas & Parry LLP

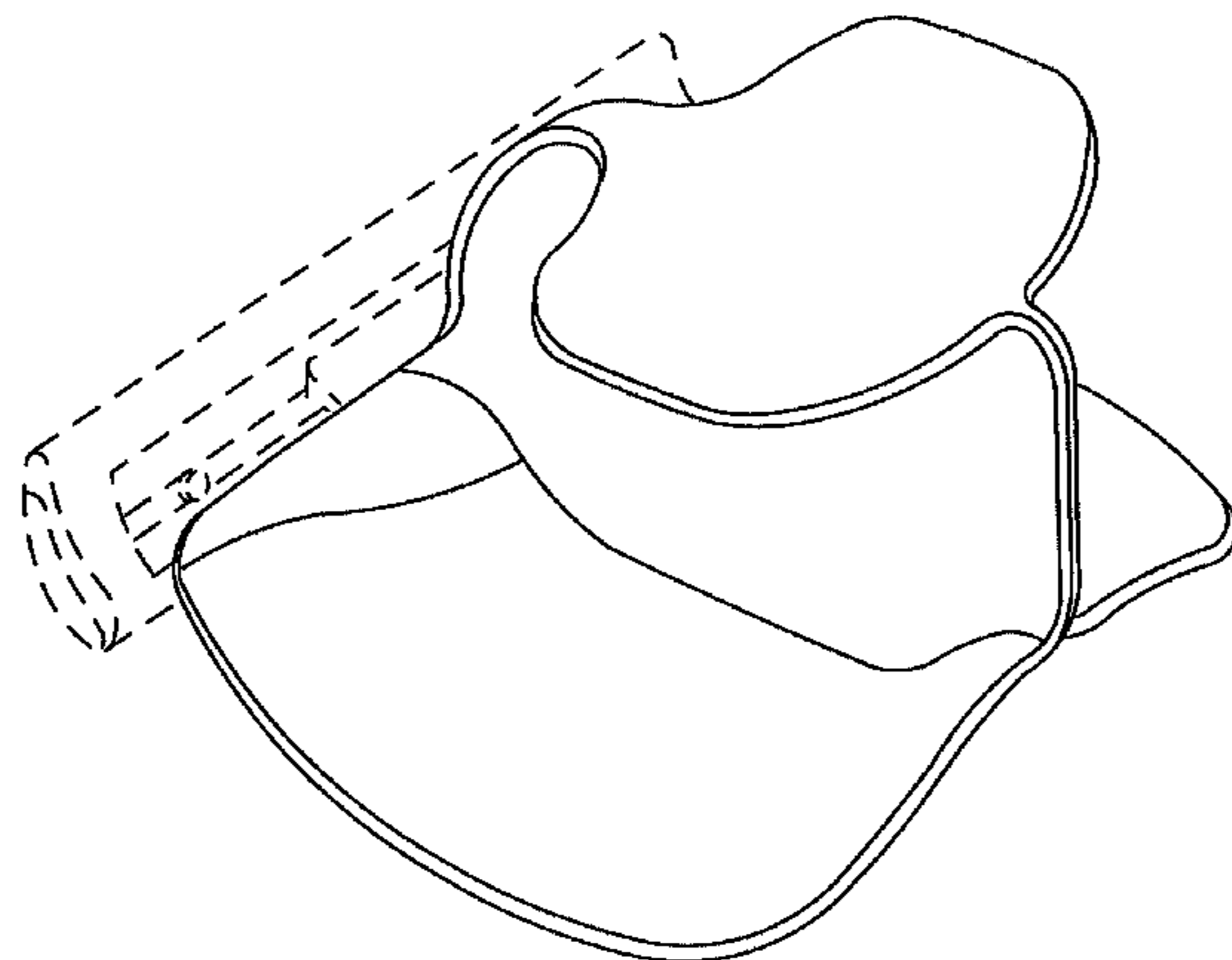
(57) **CLAIM**

I claim the ornamental design for a razor, as shown and described.

**DESCRIPTION**

FIG. 1 is a rear perspective view of a razor of our new design;  
 FIG. 2 is a left side elevation view thereof, the right side view being a mirror image thereof;  
 FIG. 3 is a front right side perspective view thereof;  
 FIG. 4 is a rear right side perspective view thereof;  
 FIG. 5 is a front right side perspective view of a razor handle of our new design;  
 FIG. 6 is a front elevation view thereof,  
 FIG. 7 is a rear elevation view thereof,  
 FIG. 8 is a top plan view thereof; and,  
 FIG. 9 is a bottom plan view thereof.  
 The broken lines depict portions of the razor that form no part of the claimed design.

**1 Claim, 5 Drawing Sheets**



(56)

**References Cited**

U.S. PATENT DOCUMENTS

2013/0061481 A1\* 3/2013 Cooney ..... B26B 21/521  
30/526  
2014/0290066 A1\* 10/2014 Woolfson ..... B26B 21/527  
30/50  
2015/0183119 A1\* 7/2015 Contaldi ..... B26B 21/522  
132/200  
2016/0193740 A1\* 7/2016 Phillips ..... B26B 21/527  
30/34.05  
2016/0288350 A1\* 10/2016 Contaldi ..... B26B 21/522  
2017/0036361 A1\* 2/2017 Bushell ..... B26B 21/521  
2017/0312928 A1\* 11/2017 Greene ..... B26B 21/527  
2017/0355090 A1\* 12/2017 Spencer ..... B26B 21/12

\* cited by examiner

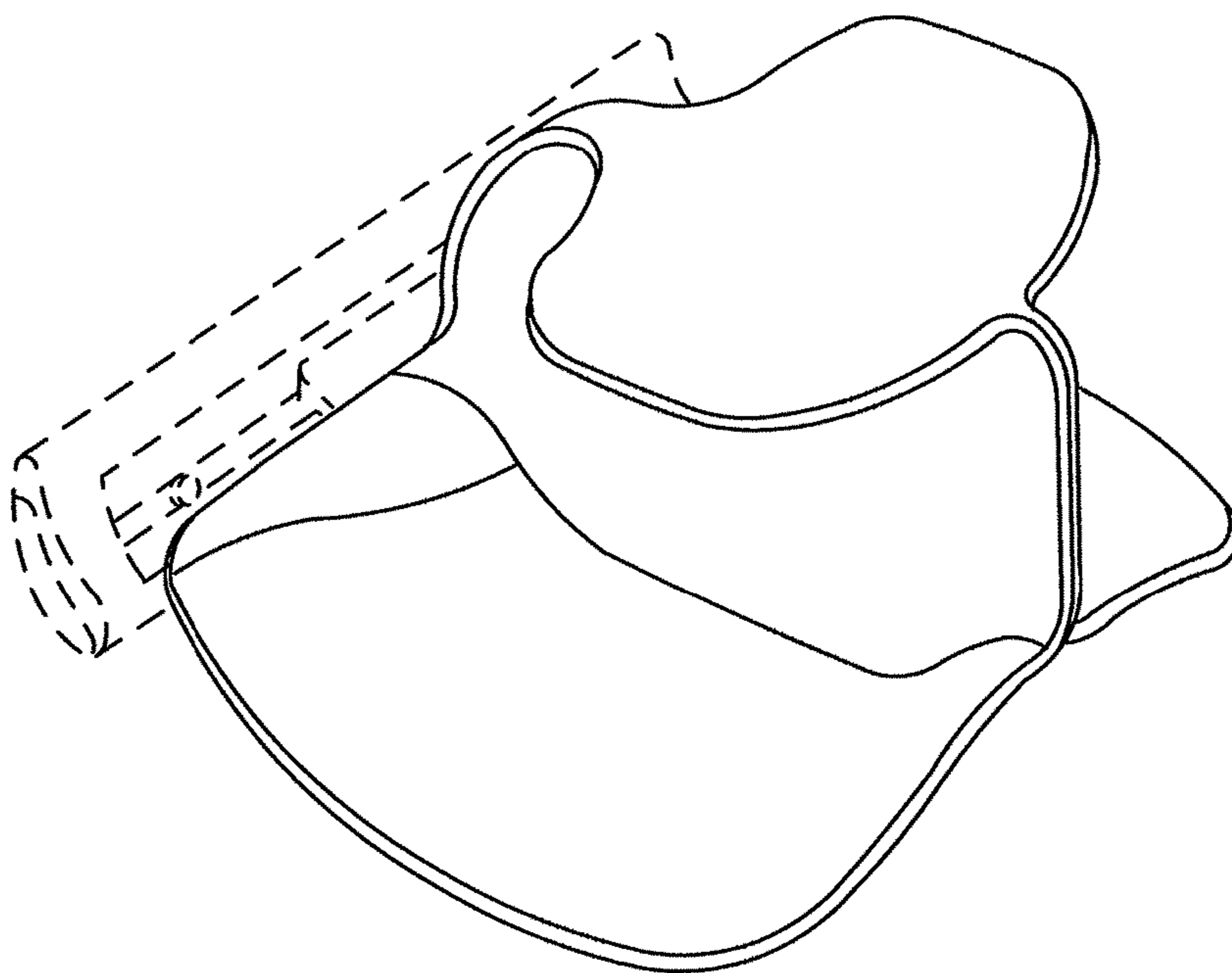


FIG. 1

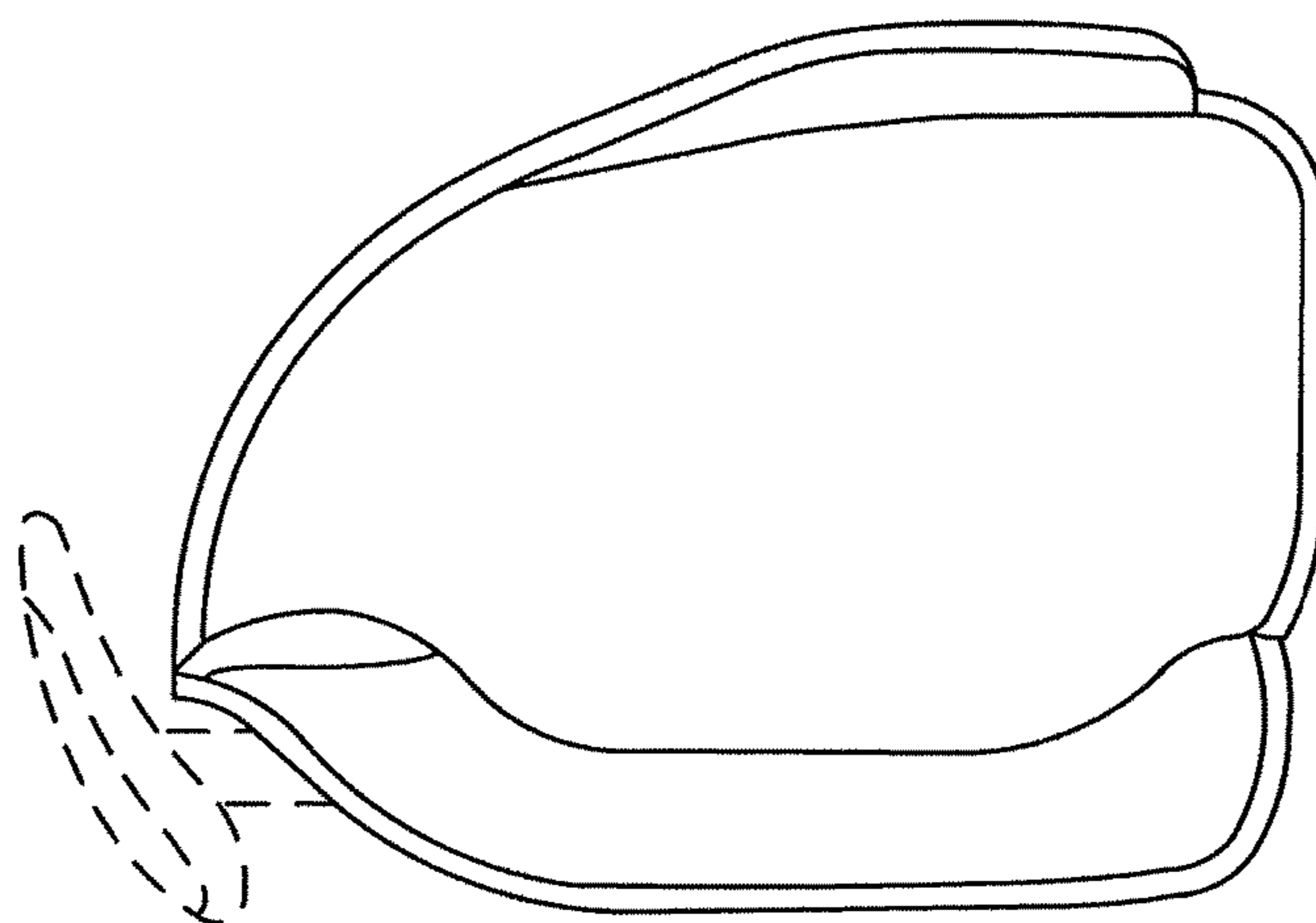


FIG. 2

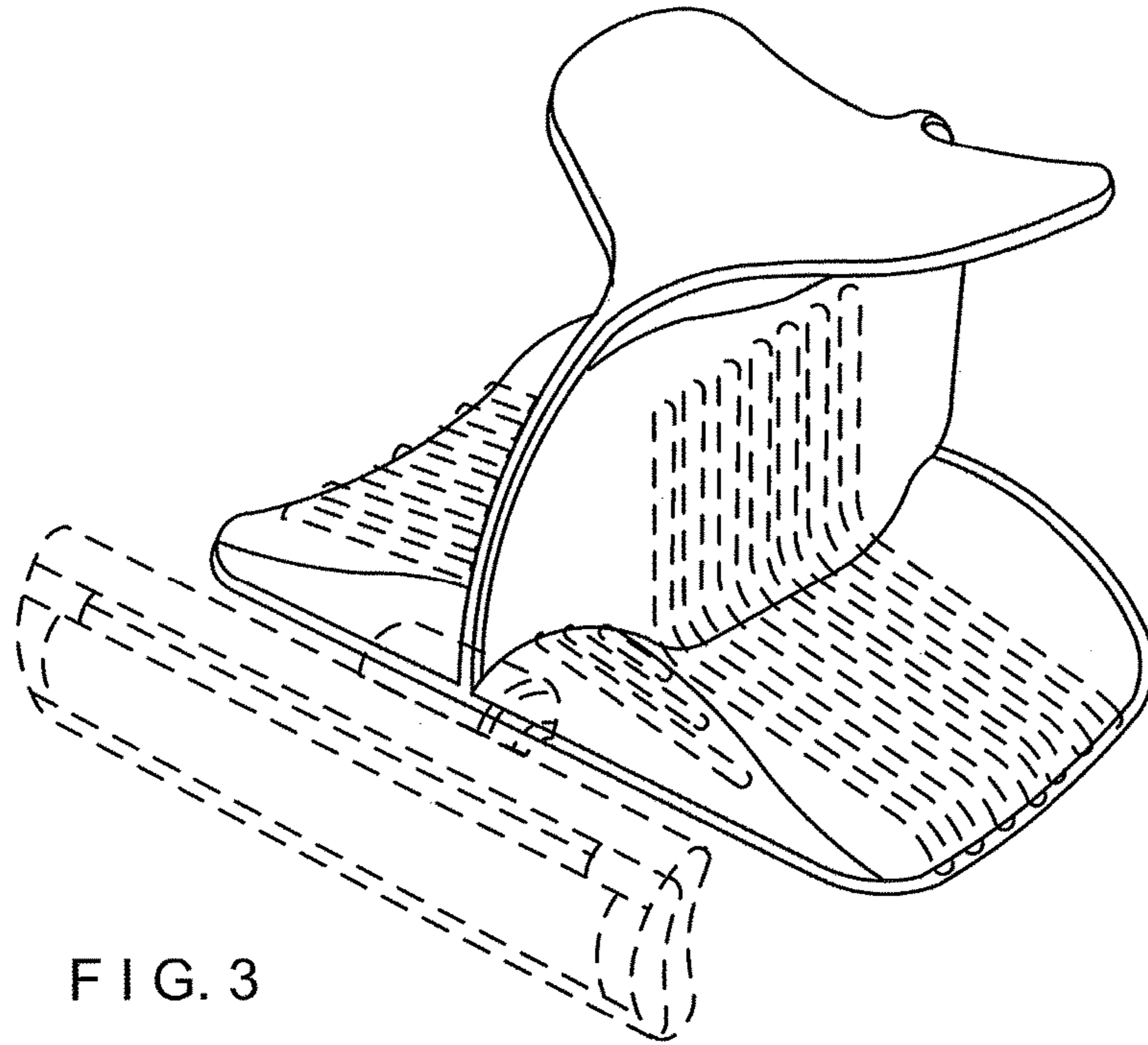


FIG. 3

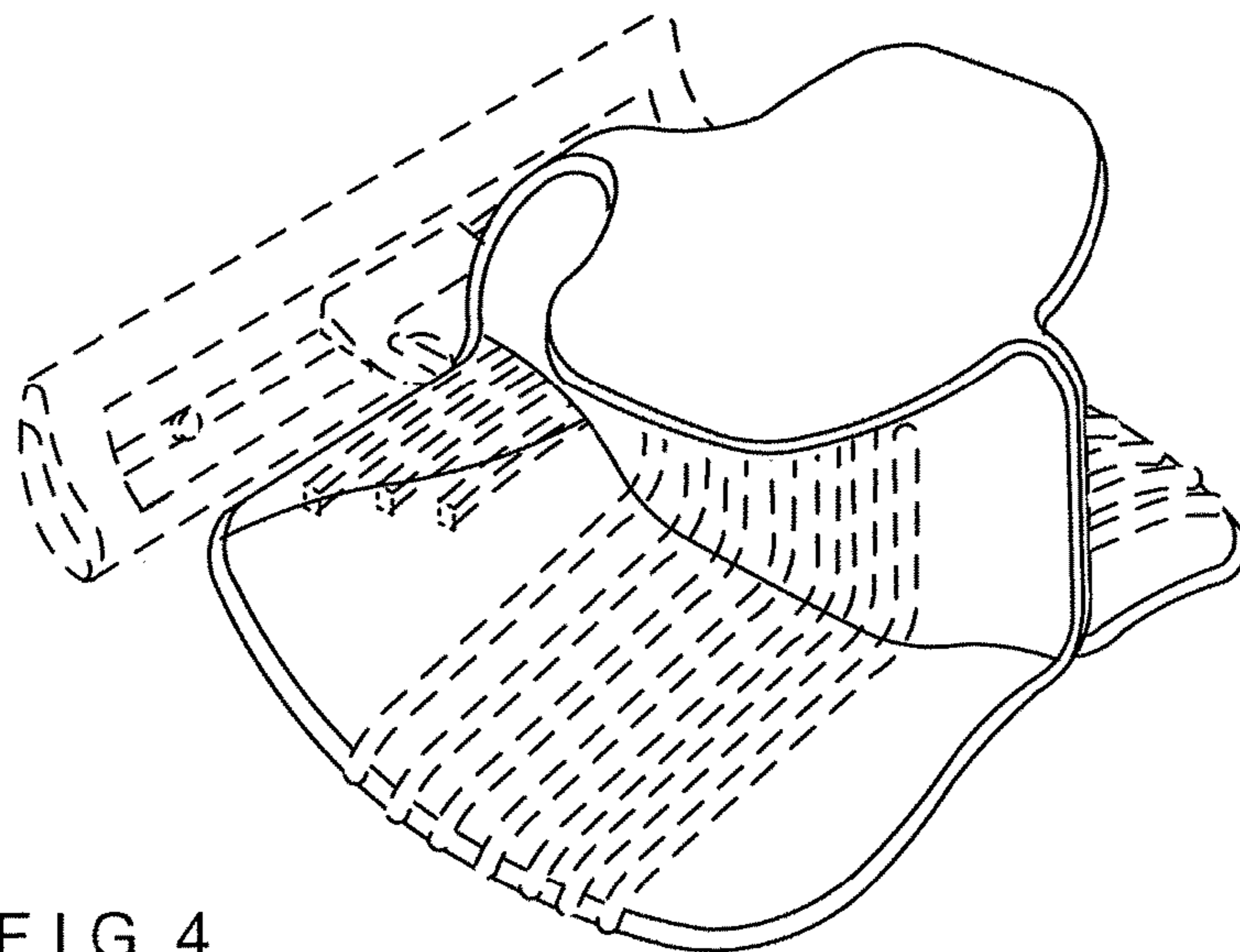


FIG. 4

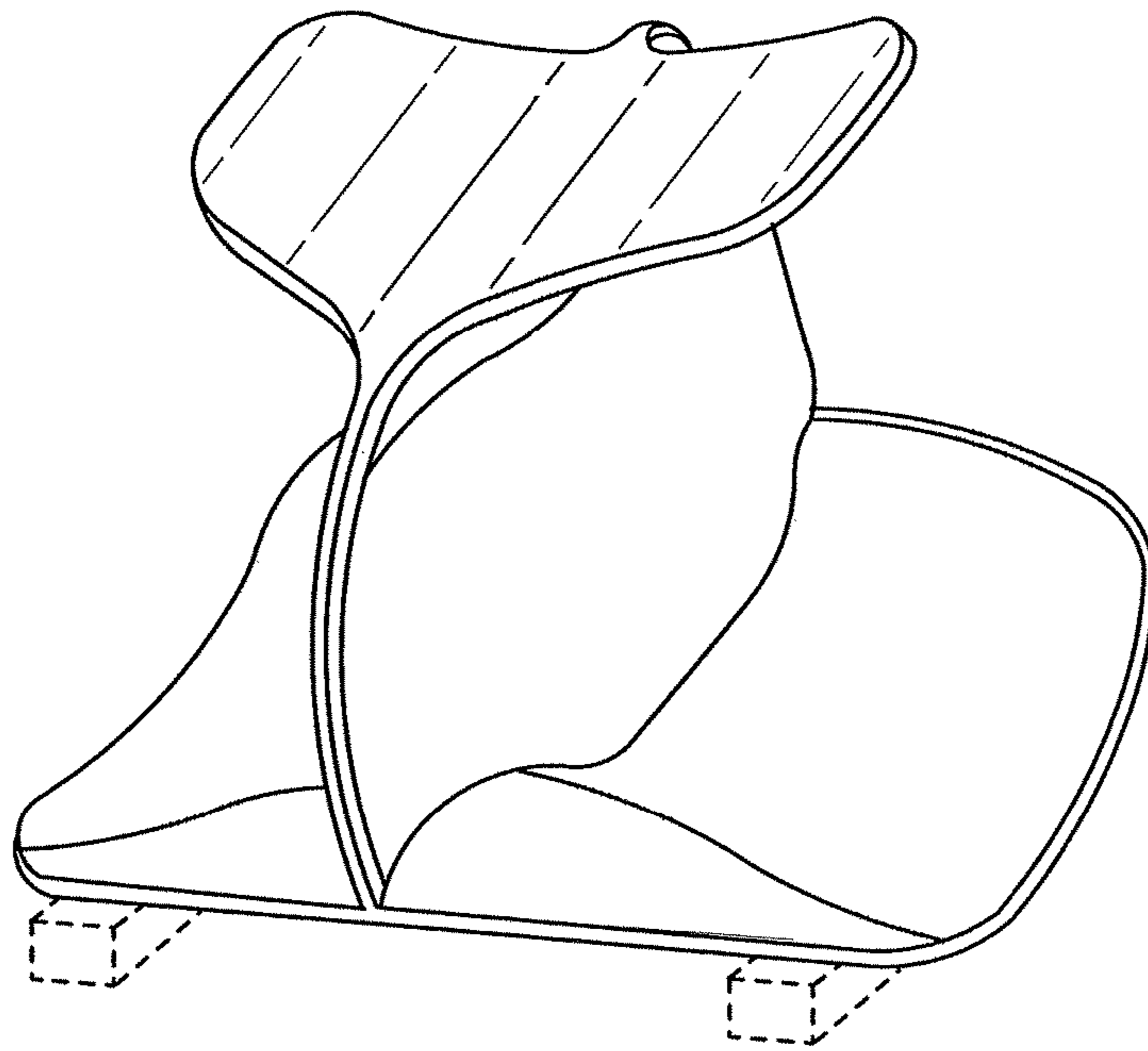


FIG. 5

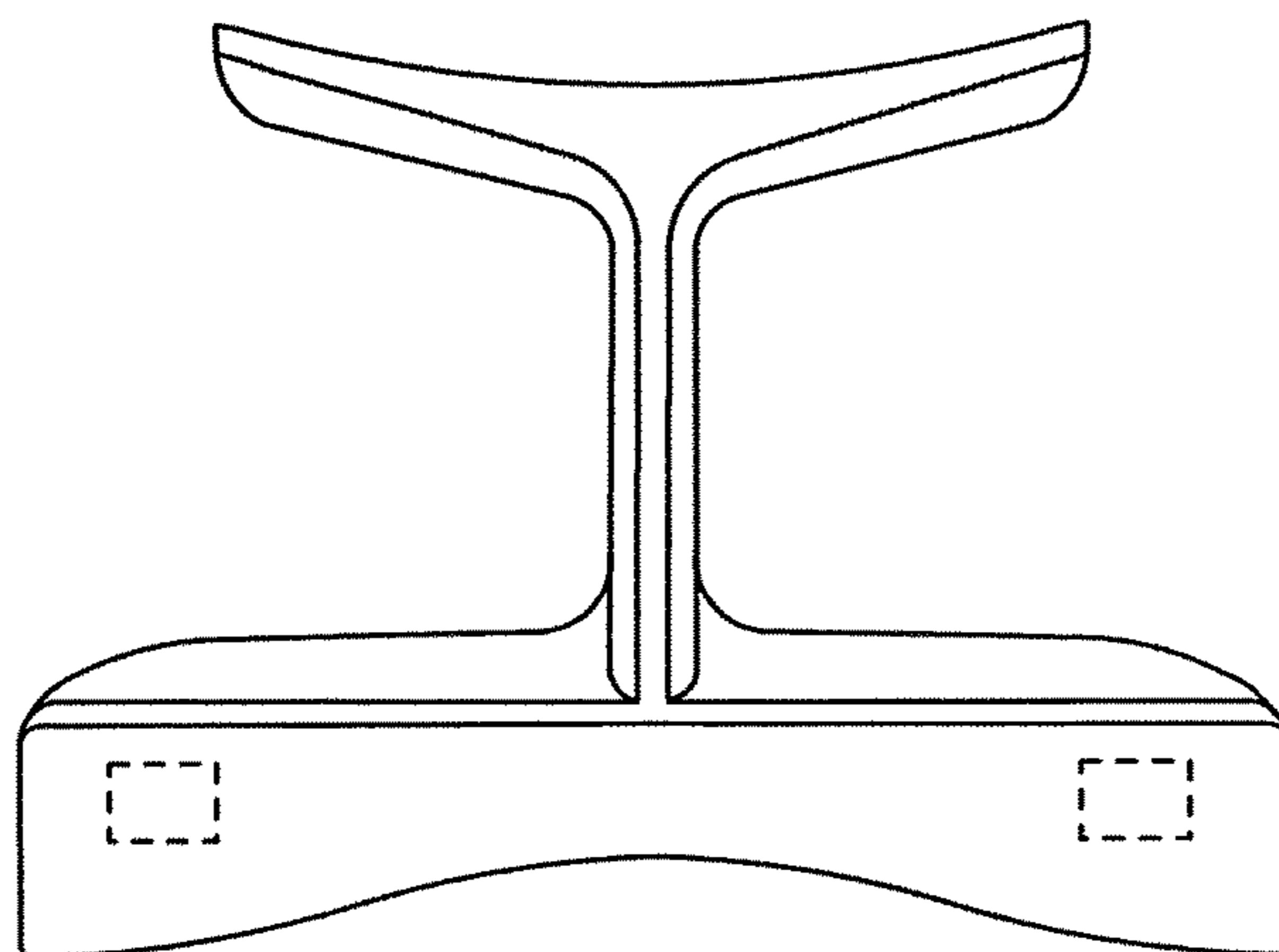


FIG. 6

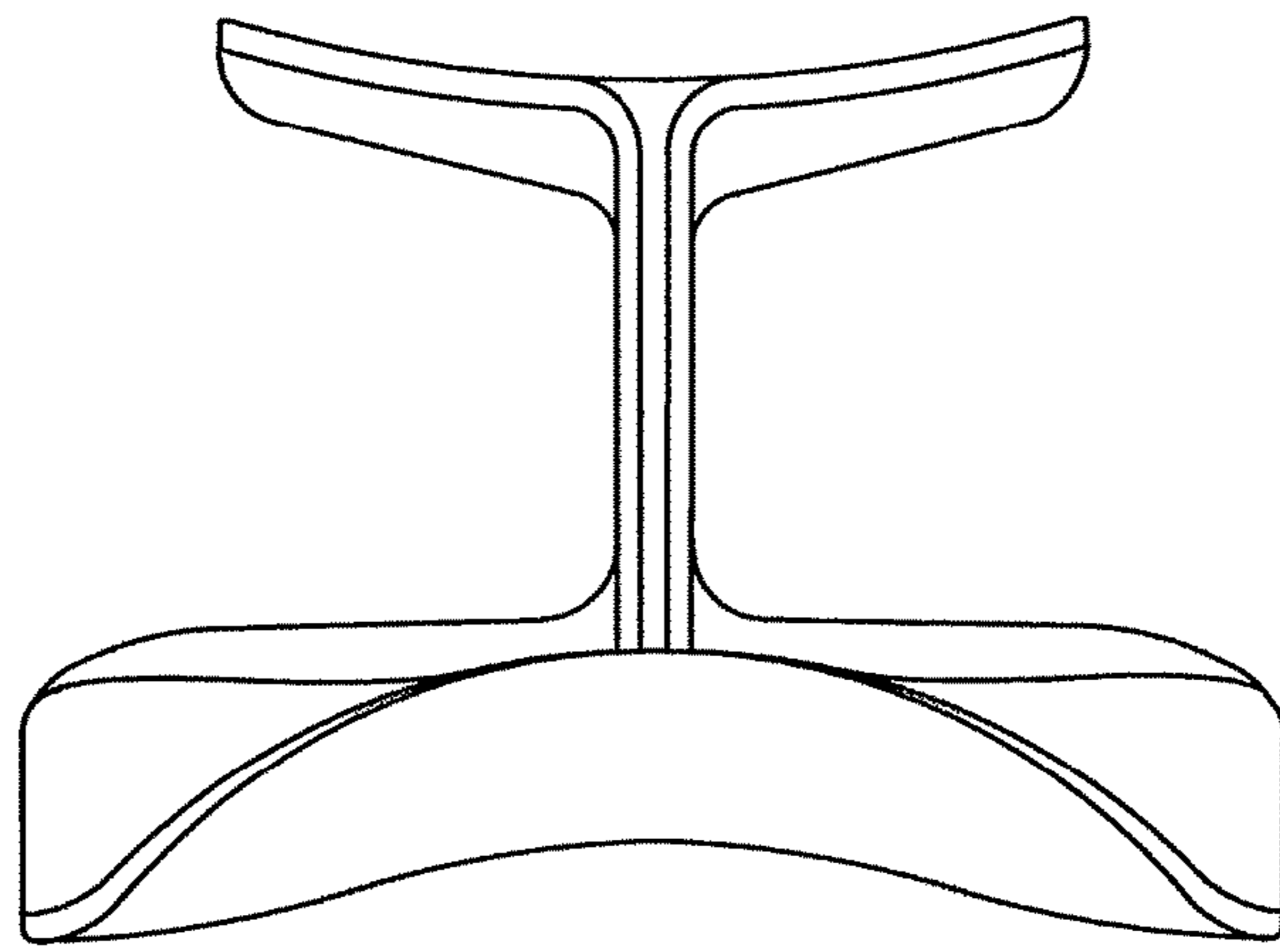


FIG. 7

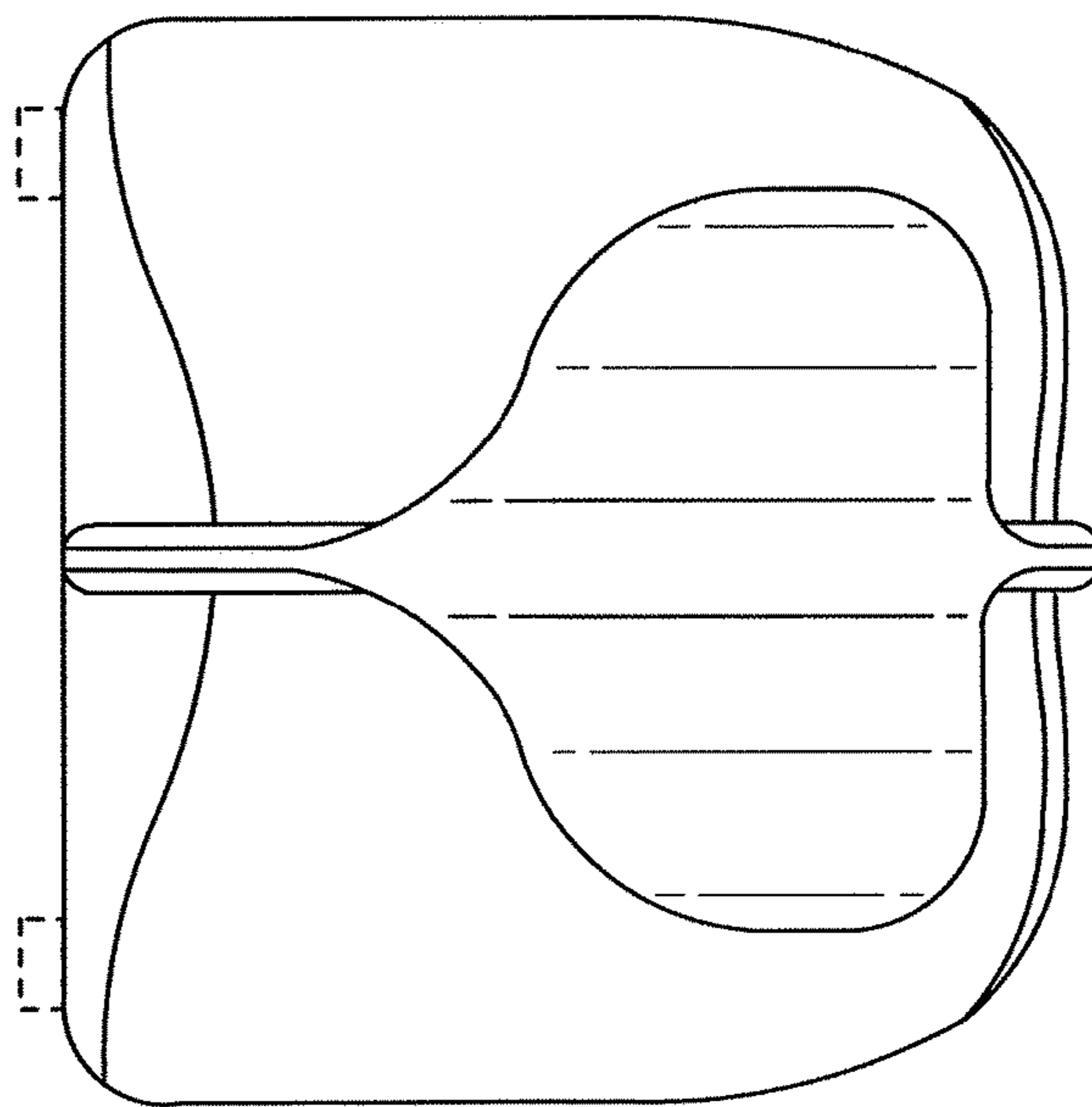


FIG. 8

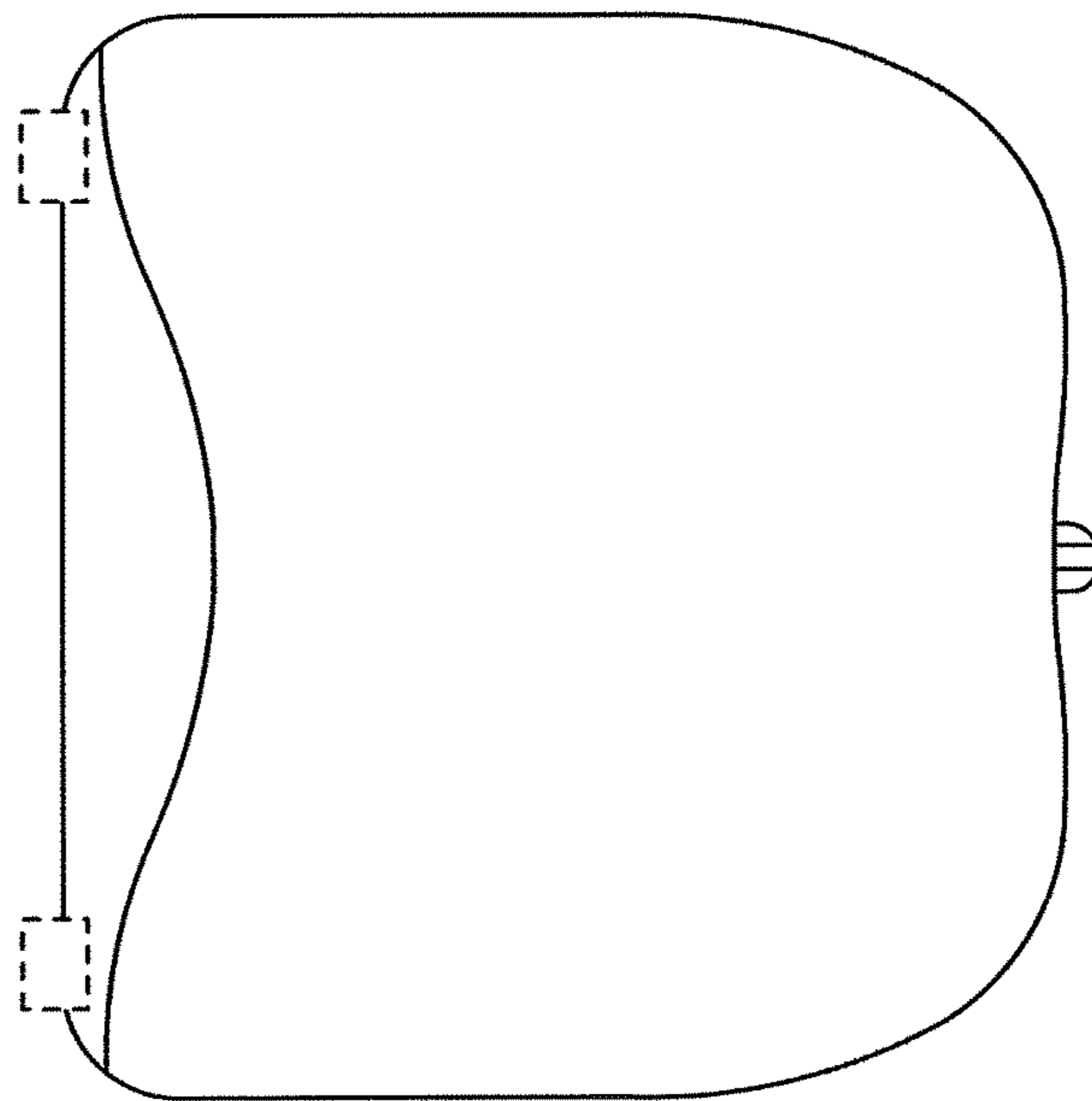


FIG. 9