



US00D854247S

(12) **United States Design Patent** (10) **Patent No.:** **US D854,247 S**
Passarello (45) **Date of Patent:** **** Jul. 16, 2019**

(54) **HEADBAND WITH BOW**
(71) Applicant: **Sparkly Soul, Inc.**, New York, NY (US)
(72) Inventor: **Dari Passarello**, New York, NY (US)
(73) Assignee: **Sparkly Soul, Inc.**, Westport, CT (US)
(**) Term: **15 Years**
(21) Appl. No.: **29/556,836**
(22) Filed: **Mar. 3, 2016**
(51) **LOC (11) Cl.** **28-03**
(52) **U.S. Cl.**
USPC **D28/41**
(58) **Field of Classification Search**
USPC D2/500, 600, 602, 865, 866, 869, 870,
D2/871, 872, 874, 875, 877, 891, 892,
(Continued)

(56) **References Cited**
U.S. PATENT DOCUMENTS
D4,516 S 12/1870 Smith
354,882 A * 12/1886 Bracher A42B 1/02
2/175.2
(Continued)

FOREIGN PATENT DOCUMENTS
CA 144200 11/2012
CN 2678415 Y 2/2005
(Continued)

OTHER PUBLICATIONS
Baby Headband, navy blue headband . . . [on-line]; [review posted to the Internet on Jul. 2, 2011]; [retrieved from the Internet on Aug.

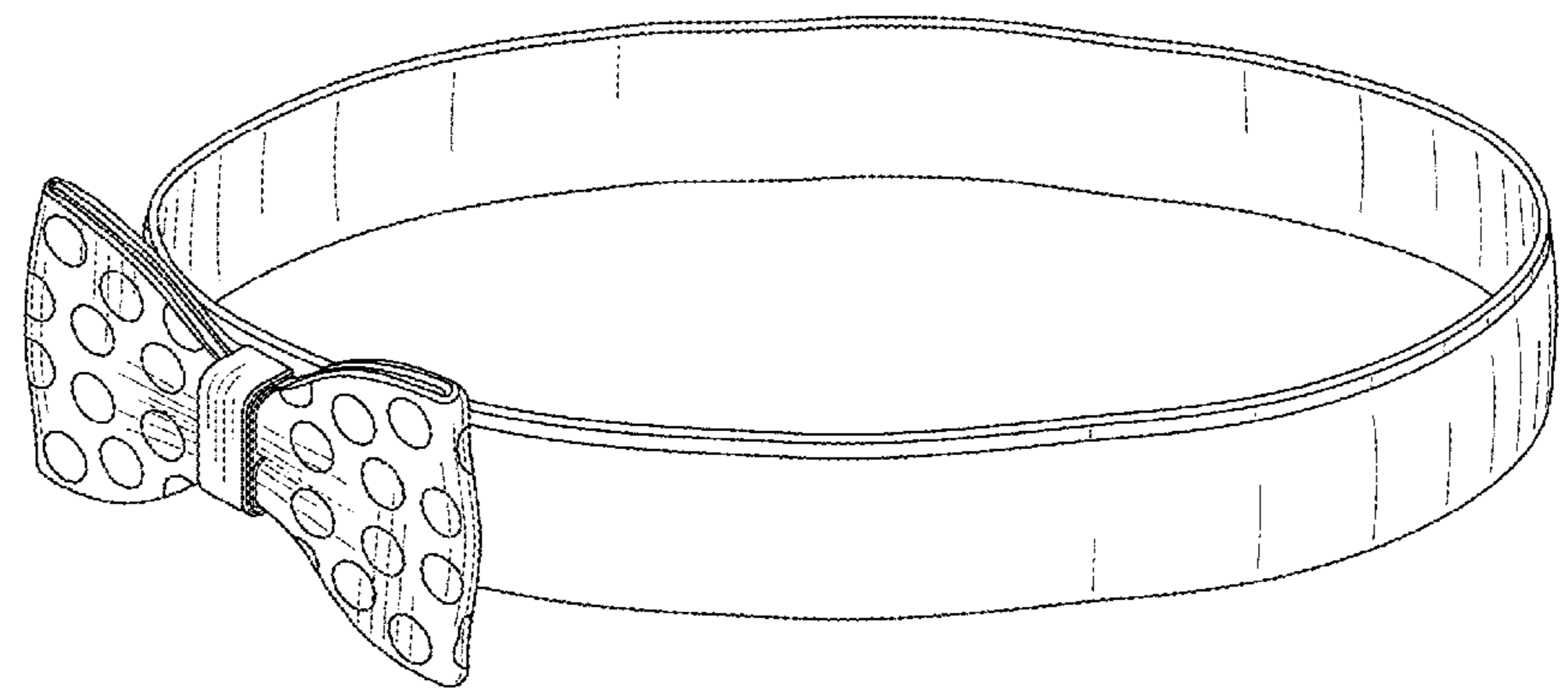
16, 2017]; URL: https://www.etsy.com/uk/listing/454398128/baby-headband-navy-blue-headband-toddler?ref=unav_listing-same-9. (2 pgs).*
(Continued)

Primary Examiner — Karen E Eldridge Powers
Assistant Examiner — Jasmine Mlinarcik
(74) *Attorney, Agent, or Firm* — Fish & Richardson P.C.

(57) **CLAIM**
The ornamental design for a headband with bow, as shown and described.

DESCRIPTION
FIG. 1 is a top, left, front perspective view of a headband with bow according to a first embodiment of my new design; FIG. 2 is a front elevation view of the first embodiment of the headband with bow; FIG. 3 is a left side elevation view of the first embodiment of the headband with bow, the right side elevation view being a mirror image of FIG. 3; FIG. 4 is a rear elevation view of the first embodiment of the headband with bow; FIG. 5 is a top plan view of the first embodiment of the headband with bow, the bottom plan view being a mirror image of FIG. 5; FIG. 6 is a top, left, front perspective view of a headband with bow according to a second embodiment of my new design; FIG. 7 is a front elevation view of the second embodiment of the headband with bow; FIG. 8 is a left side elevation view of the second embodiment of the headband with bow, the right side elevation view being a mirror image of FIG. 8; FIG. 9 is a rear elevation view of the second embodiment of the headband with bow; and, FIG. 10 is a top plan view of the second embodiment of the headband with bow, the bottom plan view being a mirror image of FIG. 10.
The broken lines depict portions of the headband with bow that form no part of the claimed design.

1 Claim, 4 Drawing Sheets



(58) **Field of Classification Search**

USPC D2/894, 895; D21/662, 683, 684;
 D11/4; D24/191; D28/41
 CPC A41D 20/00; A41D 20/005; A41D 23/00;
 A42B 1/00; A42B 1/002; A42B 1/004;
 A42B 1/006; A42B 1/02; A42B 1/069;
 A42B 1/08; A42B 1/14; A42B 1/205;
 A42B 1/208; A42B 1/22; A42B 1/24;
 A42B 3/00; A42C 5/00; A42C 5/02;
 A42C 5/04; A45D 8/36

See application file for complete search history.

(56) **References Cited**

U.S. PATENT DOCUMENTS

409,001 A * 8/1889 Ashworth A41F 9/002
 2/338
 D19,530 S 12/1889 LaPierre
 478,291 A * 7/1892 Shrier A42B 1/22
 2/183
 497,085 A * 5/1893 Yule et al. A42B 1/02
 2/175.2
 653,138 A * 7/1900 Fleisch B65D 85/18
 206/294
 1,156,487 A 10/1915 Kunstadter
 1,737,072 A * 11/1929 Blach A41D 25/02
 2/151
 2,116,082 A 5/1938 Radford
 D128,993 S * 8/1941 Maxwell D2/888
 2,294,654 A 9/1942 Cooper
 D136,854 S * 12/1943 Julian D28/41
 2,343,408 A 3/1944 Glass
 2,351,132 A 6/1944 Kling
 2,406,700 A 8/1946 Miller
 2,578,269 A * 12/1951 Sinton A41D 25/02
 2/151
 2,580,323 A 12/1951 Russell
 2,806,224 A * 9/1957 Kursh A45D 44/08
 2/174
 3,229,308 A 1/1966 Jensen
 3,467,111 A 9/1969 Benson
 3,474,798 A 10/1969 Tillotson
 3,672,362 A 6/1972 Basche
 4,317,238 A 3/1982 Amin
 4,416,633 A 11/1983 Gulack
 D272,865 S 3/1984 Edelmann
 4,630,317 A 12/1986 Brown
 4,811,430 A 3/1989 Janusz
 4,833,734 A 5/1989 Der Estephanian
 4,910,806 A 3/1990 Baker et al.
 4,918,758 A 4/1990 Rendina
 4,947,488 A 8/1990 Ashinoff
 D316,774 S 5/1991 Falk
 5,111,975 A 5/1992 Roberts
 D343,282 S 1/1994 Irish
 D351,052 S 10/1994 Russell
 D355,047 S 1/1995 Grimes
 D373,078 S * 8/1996 Cheng D2/869
 D375,612 S 11/1996 Elder
 5,579,540 A 12/1996 Walker
 D382,989 S 9/1997 Simpson
 D384,790 S 10/1997 Juergens
 D389,285 S * 1/1998 Falloon D2/608
 D389,636 S 1/1998 Davis
 5,806,535 A 9/1998 Becker
 D402,091 S 12/1998 Bratcher
 5,848,981 A 12/1998 Herbranson
 5,862,523 A 1/1999 Proctor
 5,901,381 A * 5/1999 Nelson A41D 20/00
 2/171
 5,963,989 A 10/1999 Robertson
 6,000,062 A 12/1999 Trakh
 6,115,843 A 9/2000 Travalgia
 6,205,590 B1 3/2001 Gorman
 6,227,011 B1 5/2001 Cortinovis

6,237,611 B1 5/2001 LeCrone
 6,295,992 B1 10/2001 Sapp
 D454,412 S * 3/2002 Riley D28/41
 6,502,245 B1 1/2003 McBride
 6,553,577 B2 4/2003 Montague
 D497,467 S 10/2004 Srivastava
 D511,036 S 11/2005 Moses
 D519,716 S 5/2006 Smith
 D528,744 S 9/2006 Nelson
 7,398,559 B2 7/2008 Flatt
 D578,742 S 10/2008 Cho
 D668,843 S 10/2012 Lalonde
 D689,652 S * 9/2013 Hines D28/41
 D722,690 S * 2/2015 Barrett D2/866
 D734,223 S * 7/2015 Grilley D12/177
 9,173,467 B2 * 11/2015 Passarello A41D 20/00
 9,392,827 B2 7/2016 Farney
 D762,352 S * 8/2016 Shelby D2/895
 2002/0055317 A1 5/2002 Kopelowicz
 2003/0121127 A1 7/2003 Walker
 2003/0131395 A1 7/2003 Putnam
 2003/0221241 A1 12/2003 Rivera
 2004/0213979 A1 10/2004 Vito et al.
 2005/0061345 A1 3/2005 Srivastava
 2006/0032515 A1 2/2006 Thall
 2006/0042139 A1 3/2006 Mendes
 2006/0085891 A1 4/2006 Larkin
 2006/0162046 A1 7/2006 Chudzik
 2006/0249172 A1 11/2006 Ballew
 2008/0022438 A1 1/2008 Schweers et al.
 2009/0090378 A1 4/2009 Chudzik et al.
 2010/0107307 A1 5/2010 Lee
 2010/0162464 A1 7/2010 Beard
 2010/0242980 A1 9/2010 D'Assis
 2012/0118317 A1 * 5/2012 Payne A45D 8/00
 132/275
 2012/0180193 A1 7/2012 Curiel
 2012/0234344 A1 9/2012 Hsu
 2013/0042388 A1 * 2/2013 Lasko A42B 1/24
 2/209.13
 2013/0291887 A1 11/2013 Passarello
 2015/0335124 A1 * 11/2015 Passarello A45D 8/36
 132/275
 2016/0029722 A1 2/2016 Klopfer

FOREIGN PATENT DOCUMENTS

CN 302193829 11/2012
 EM 001311914-0001 3/2012
 GB 2184754 A 7/1987
 RU 82529 U1 5/2009

OTHER PUBLICATIONS

Smallest Bow Headband . . . [on-line]; [review posted to the Internet on Jun. 21, 2012]; [retrieved from the Internet on Aug. 16, 2017]; URL: https://www.etsy.com/uk/listing/100294254/smallest-bow-headband-newborn-headband?ref=shop_review. (3 pgs).*

Lavender Headband . . . [on-line]; [review posted to the Internet on Oct. 15, 2013]; [retrieved from the Internet on Aug. 16, 2017]; URL: see p. 1. (4 pgs).*

No Sew Felt Bow Headband / DIY baby headband, [on-line video]; [published to the Internet on Feb. 11, 2017]; [retrieved from the Internet on Aug. 9, 2017]; URL: <https://www.youtube.com/watch?v=NoaX-DWsaaY>. (1 pg).*

2.5 Inch Headband, [on-line]; [Internet publication date unknown]; [retrieved from the Internet on Aug. 9, 2017]; URL: <https://ittybittyreef.com/products/2-5-inch-headband>. (3 pgs).*

Sparkly Soul, photo post [on-line]; [posted to the Internet Jul. 31, 2011]; [retrieved from the Internet Nov. 8, 2016]; URL: <https://www.facebook.com/sparklysouline/photos/a.263148203702249.85880.263148047035598/263148210368915/?type=3&theater> (1 page).

Sparkly Thin Headband, [on-line]; [posted to the Internet with a crawlback date of Oct. 6, 2011]; [retrieved from the Internet Nov.

(56)

References Cited

OTHER PUBLICATIONS

8, 2016]; URL: < https://web.archive.org/web/20111006045951http://shop.sparklysoul.com/SparklySmallHeadband_c2.htm>(3 pages).

Sparkly Soul—Fitness Headbands, [on-line]; [posted to the Internet Feb. 22, 2013]; [retrieved from the Internet Nov. 8, 2016]; URL: < <http://www.youtube.com/watch?v=3aHOvaajxo4&feature=youtu.be>>(2 pages).

Goody Hair Bands (Gold and Burgundy Glitter), “Crowning Glory”, Beauty Marie Claire, Marie Claire Magazine Dec. 2008, p. 150.

International Search Report and the Written Opinion of the International Searching Authority for PCT/US2012/048081, dated Oct. 11, 2012 (7 pages).

International Search Report of PCT/US2016/045062 dated Oct. 6, 2016 (3 pages).

* cited by examiner

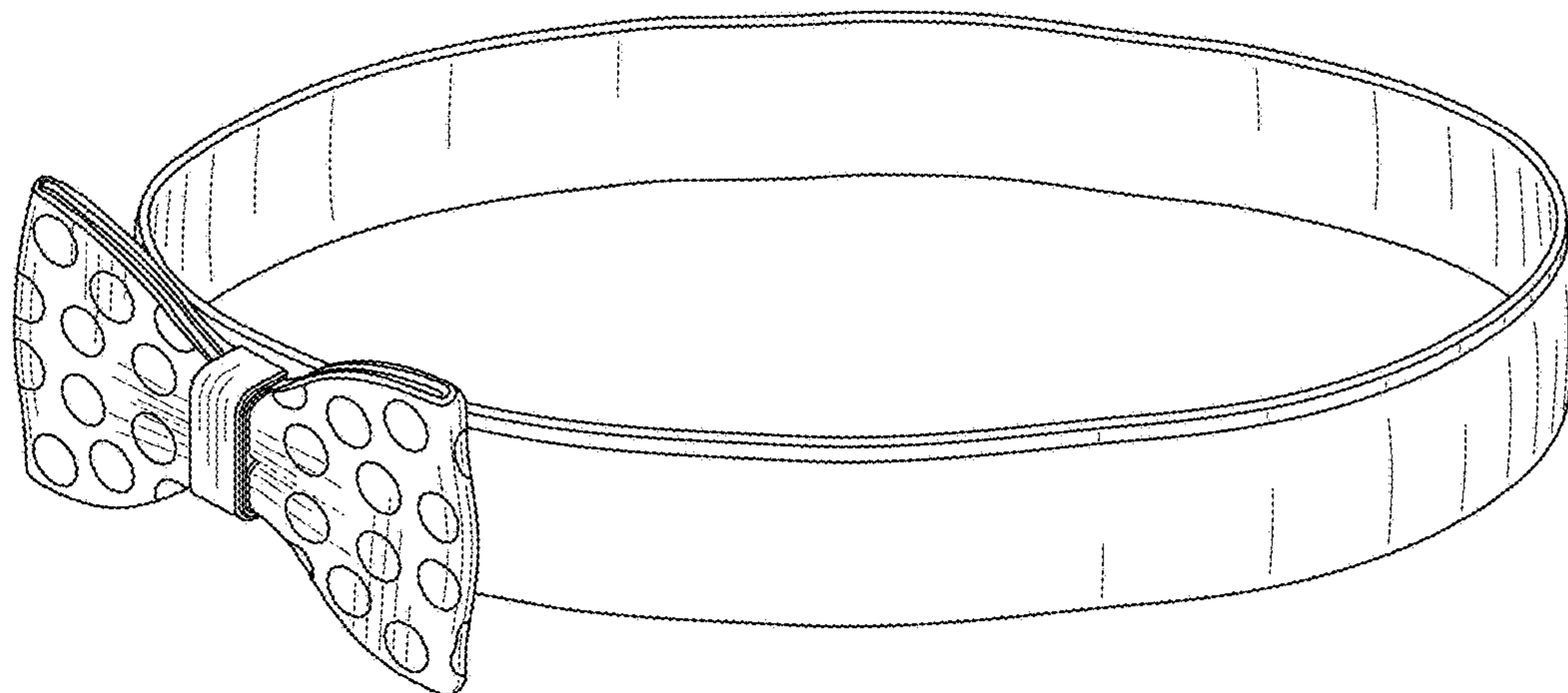


FIG. 1

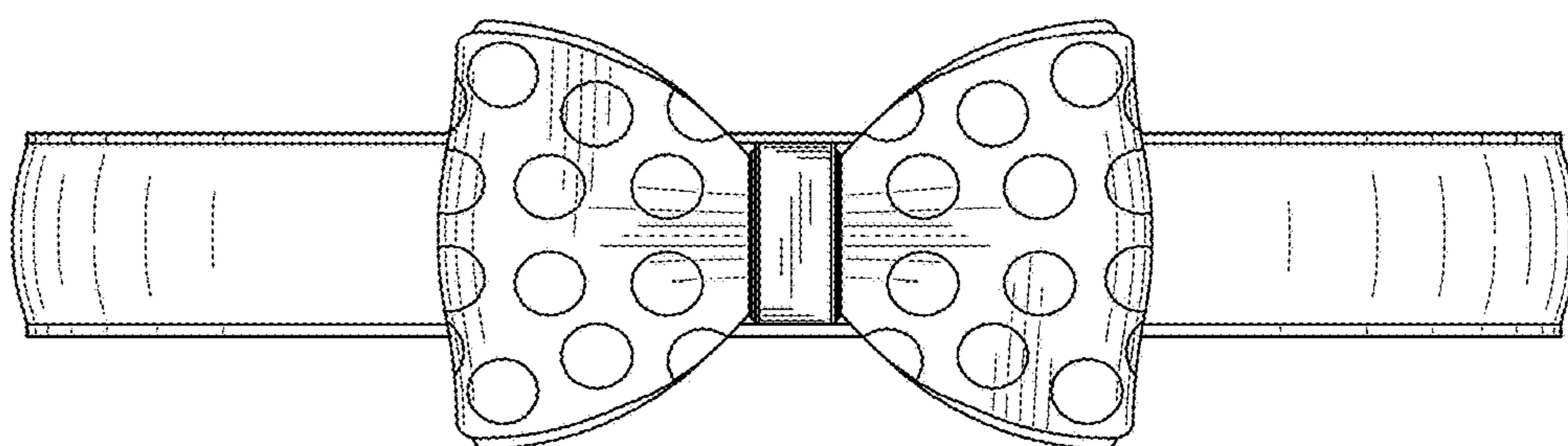


FIG. 2

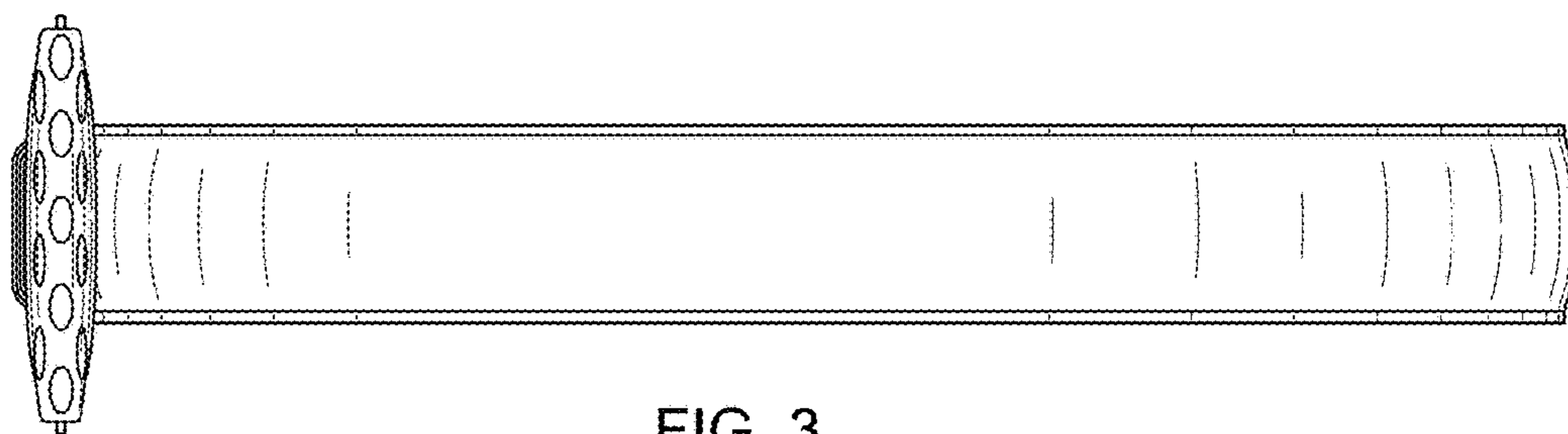


FIG. 3

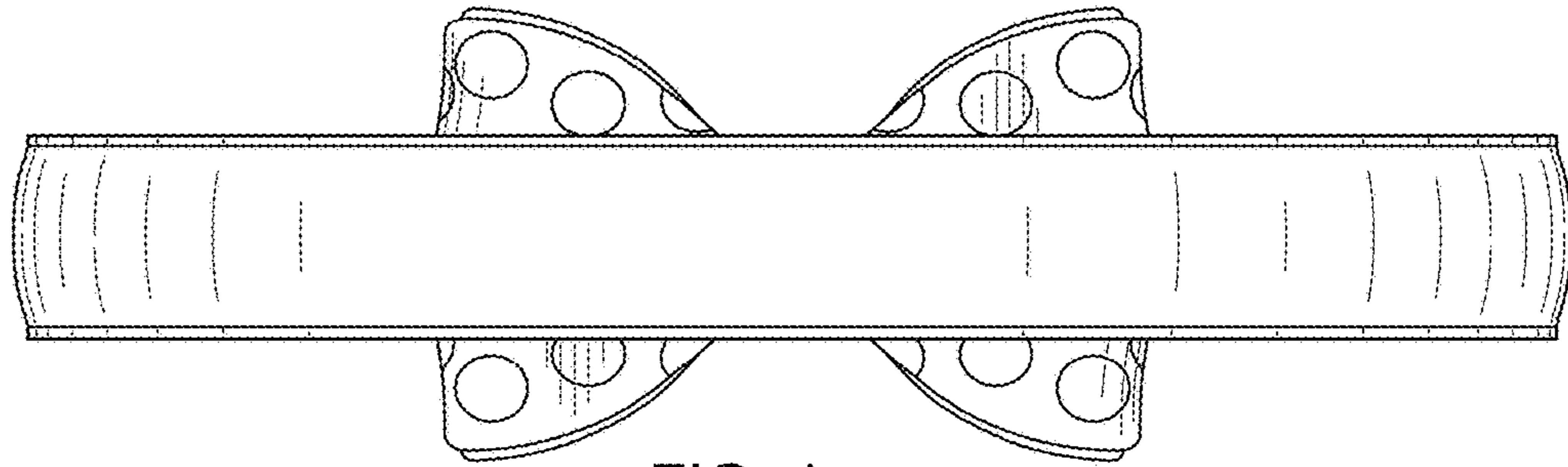


FIG. 4

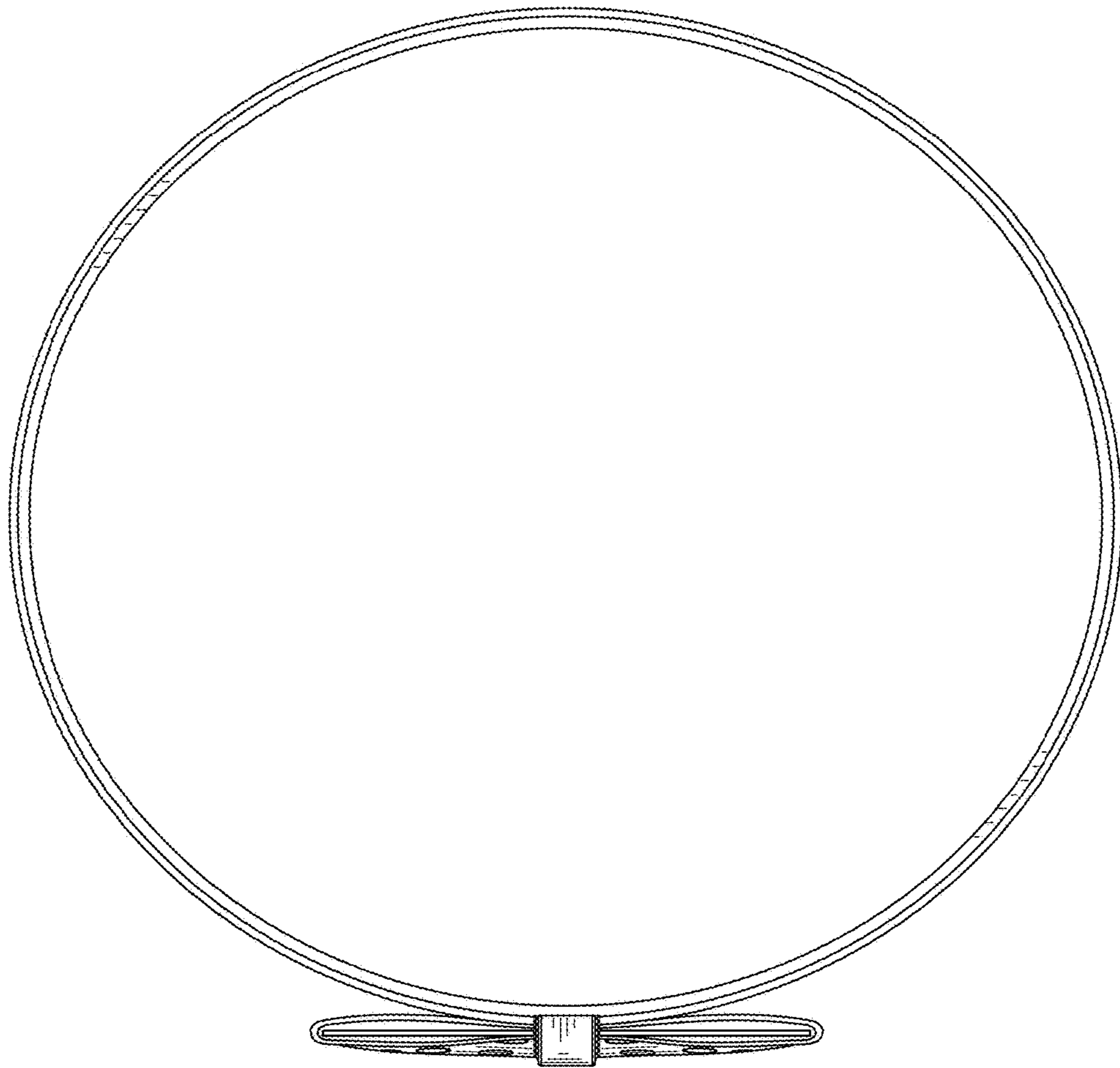


FIG. 5

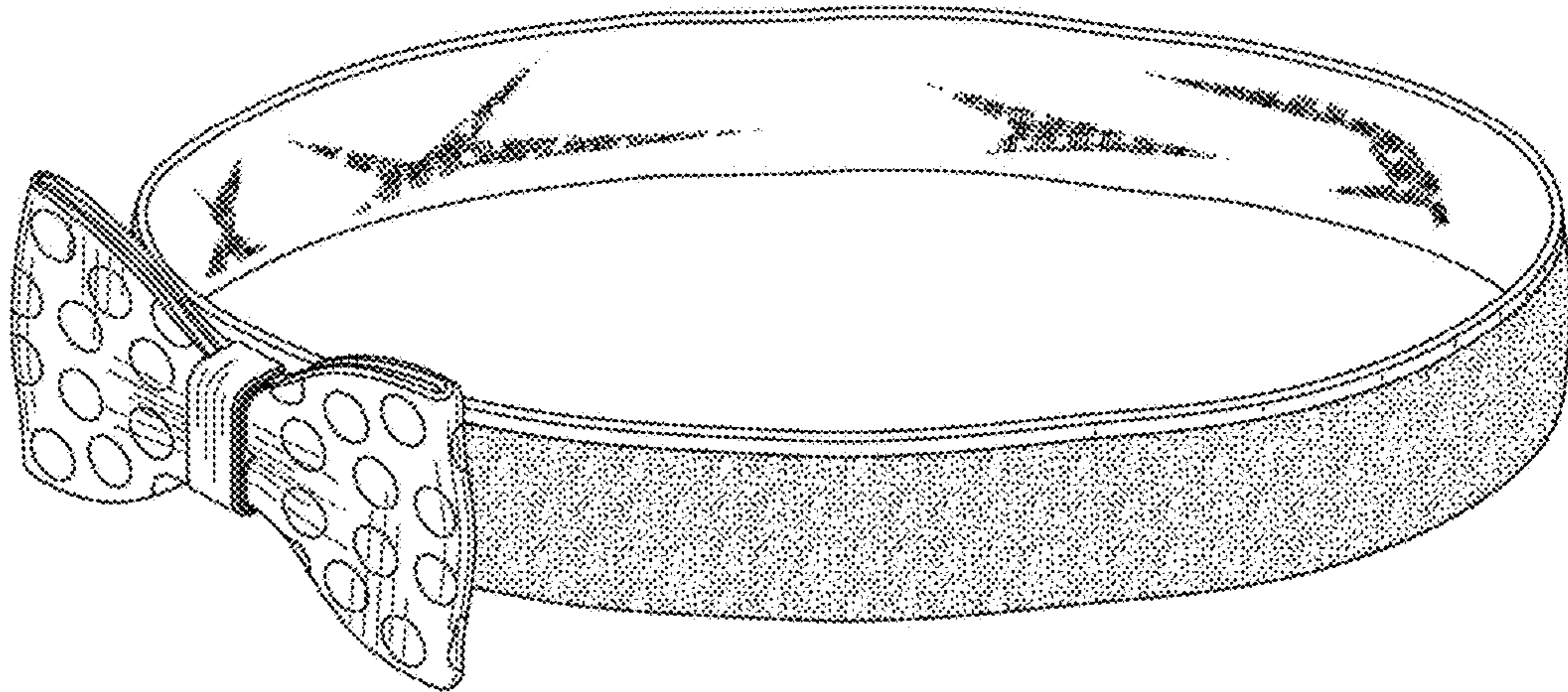


FIG. 6

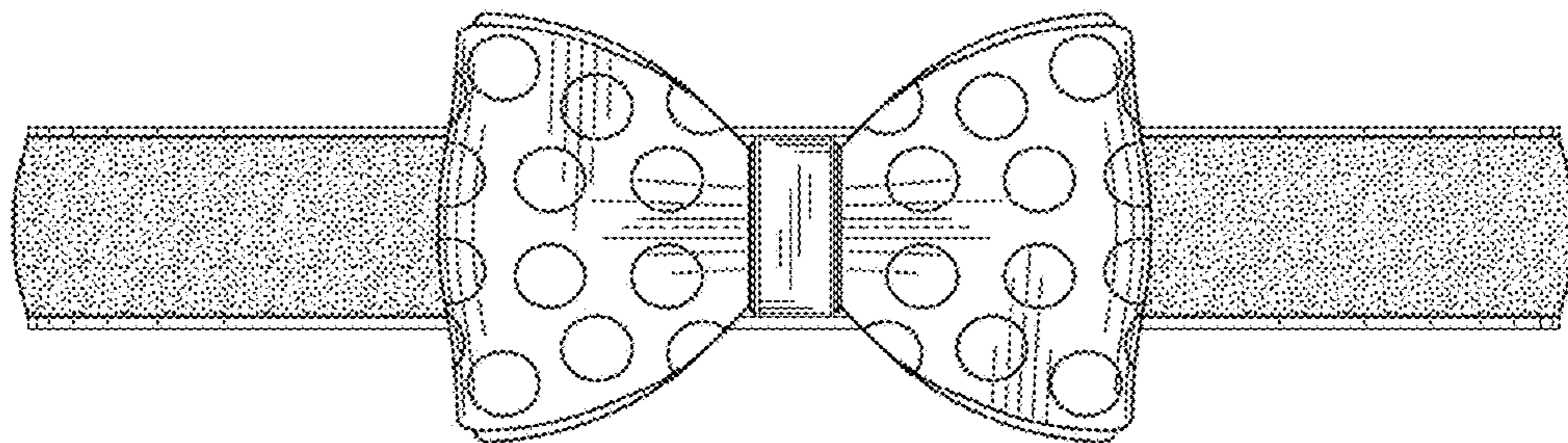


FIG. 7

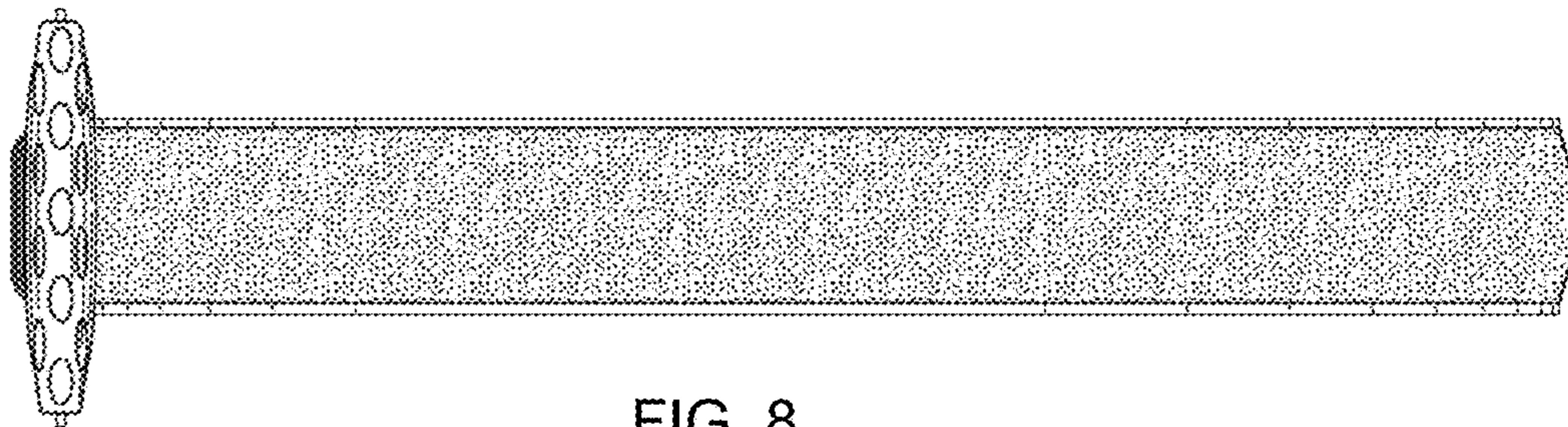


FIG. 8

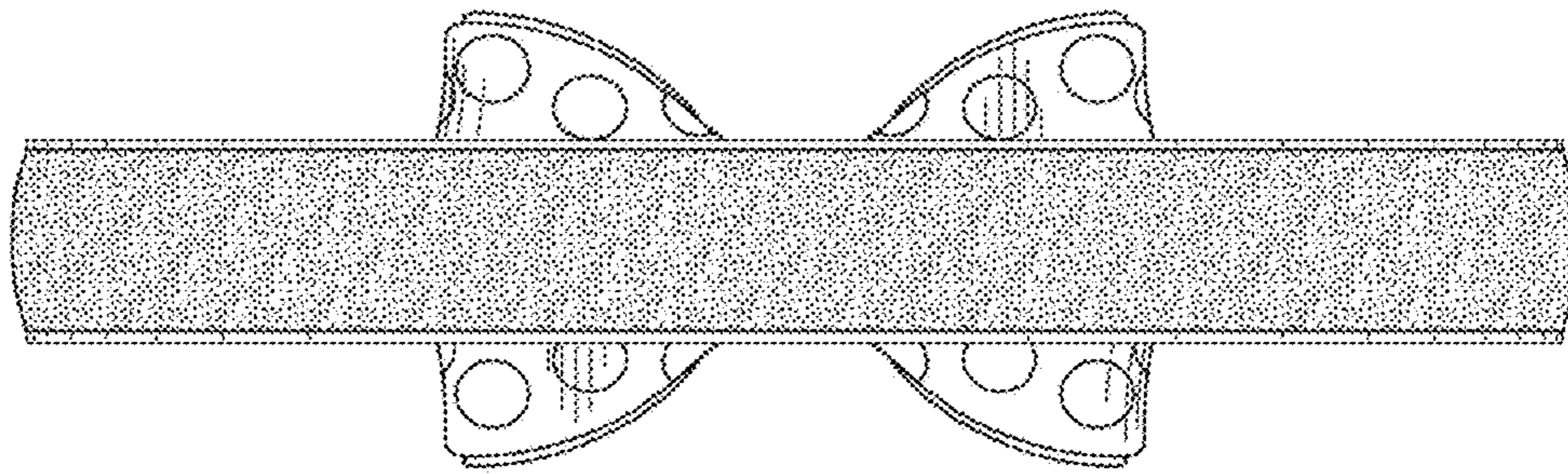


FIG. 9

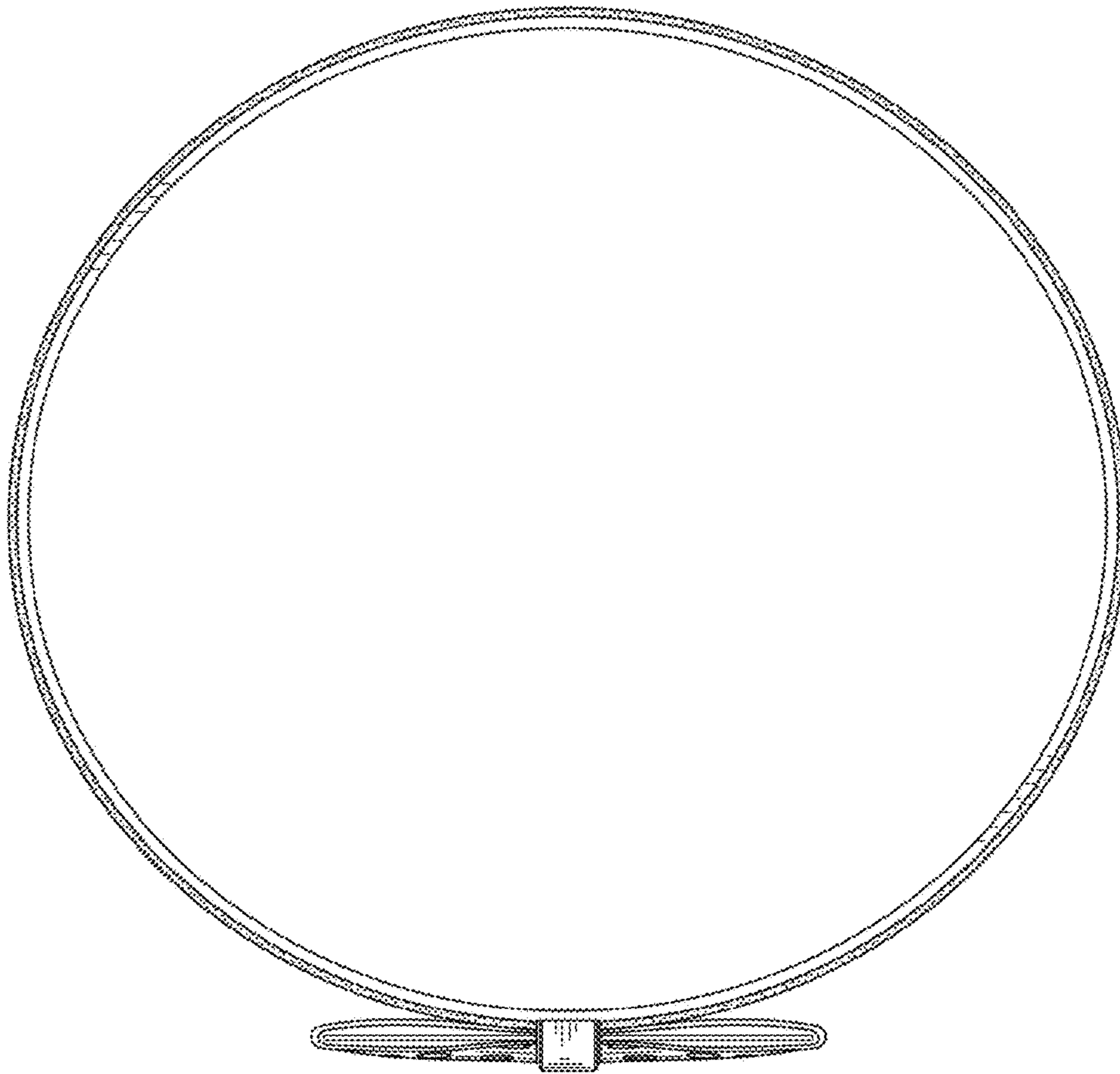


FIG. 10