



US00D854246S

(12) **United States Design Patent**
Toba et al.

(10) **Patent No.:** **US D854,246 S**
(45) **Date of Patent:** **** Jul. 16, 2019**

- (54) **WIG FASTENER**
- (71) Applicant: **Aderans Company Limited**,
Shinjuku-ku, Tokyo (JP)
- (72) Inventors: **Mayumi Toba**, Tokyo (JP); **Yukitomo Kawakita**, Yao (JP); **Yasuhiro Kawakita**, Fujiidera (JP)
- (73) Assignee: **Aderans Company Limited** (JP)
- (**) Term: **15 Years**
- (21) Appl. No.: **29/607,596**
- (22) Filed: **Jun. 14, 2017**
- (30) **Foreign Application Priority Data**

Dec. 15, 2016 (JP) 2016-027214

- (51) **LOC (11) Cl.** **28-03**
- (52) **U.S. Cl.**
USPC **D28/39**

- (58) **Field of Classification Search**
USPC D28/21, 24, 25, 27, 28, 30, 31, 32, 33,
D28/34, 39, 40, 41, 42, 43, 76, 77, 78,
D28/82, 92, 93
CPC A45D 24/00; A45D 24/002; A45D 24/005;
A45D 24/02; A45D 24/04; A45D 24/30;
A45D 24/34; A45D 24/36; A45D 8/00;
A45D 8/02; A45D 8/12; A45D 8/20;
A45D 8/24; A45D 8/28; A45D 8/30;
A45D 8/34; A45D 2008/002; A45D
2008/004; A01K 13/00; A41G 3/00;
A41G 3/0008; A41G 3/0033; A41G 5/02;
B65D 85/00; B65D 85/54; B65D 85/70
See application file for complete search history.

(56) **References Cited**

U.S. PATENT DOCUMENTS

- D286,687 S * 11/1986 Nemoto D28/93
- 5,137,037 A * 8/1992 Mochizuki A41G 3/0033
132/53

- D414,002 S * 9/1999 Kageyama D28/93
- D622,004 S * 8/2010 Umezu D28/39
- D630,801 S * 1/2011 Umezu D28/39
- D657,911 S * 4/2012 Cirillo D28/42
- D721,849 S * 1/2015 Monroe A44C 15/006
D28/39

(Continued)

FOREIGN PATENT DOCUMENTS

- KR 300548612 12/2009
- KR 300682347 2/2013

(Continued)

Primary Examiner — Barbara Fox
Assistant Examiner — Messina L Smith
 (74) *Attorney, Agent, or Firm* — Saidman DesignLaw Group, LLC

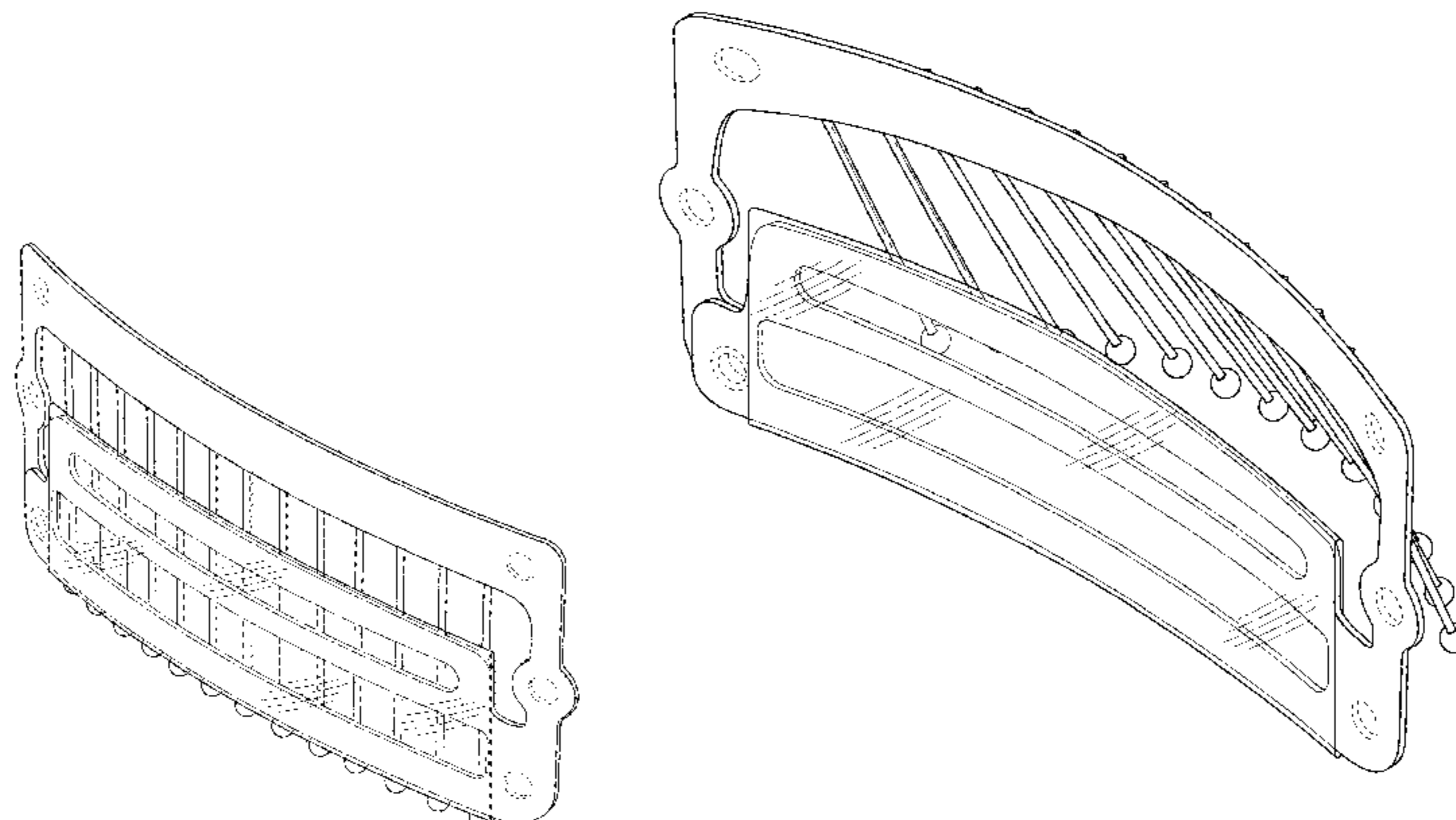
(57) **CLAIM**

The ornamental design for a wig fastener, as shown and described.

DESCRIPTION

FIG. 1 is a front perspective view of a wig fastener showing our new design;
 FIG. 2 is a front view thereof;
 FIG. 3 is a rear view thereof;
 FIG. 4 is a left side view thereof;
 FIG. 5 is a right side view thereof;
 FIG. 6 is a top view thereof;
 FIG. 7 is a bottom view thereof; and,
 FIG. 8 is a front perspective view thereof in an alternate position.
 The broken lines in the drawings depict portions of the wig fastener that form no part of the claimed design.
 The diagonal parallel shading lines represent a translucent surface.

1 Claim, 6 Drawing Sheets



(56)

References Cited

U.S. PATENT DOCUMENTS

9,010,341 B1 * 4/2015 Lee A41G 5/0073
132/201
D752,293 S * 3/2016 Lee D28/93
D771,311 S * 11/2016 Jung D28/40
2010/0139679 A1 * 6/2010 Umezu A41G 3/0033
132/106
2011/0088429 A1 * 4/2011 Carter A44C 11/002
63/43
2014/0326263 A1 * 11/2014 Miyatake A41G 3/0033
132/54
2016/0213082 A1 * 7/2016 Suh A41G 3/0033
2017/0112213 A1 * 4/2017 Lee A41G 5/0073
2017/0354193 A1 * 12/2017 Furukawa A41G 3/0033
2018/0077985 A1 * 3/2018 Suh A41G 3/0033
2018/0077986 A1 * 3/2018 Suh A41G 3/0033
2018/0140032 A1 * 5/2018 Suh A41G 3/005

FOREIGN PATENT DOCUMENTS

KR 300811791 8/2015
WO WO-2007129708 A1 * 11/2007 A41G 3/0033

* cited by examiner

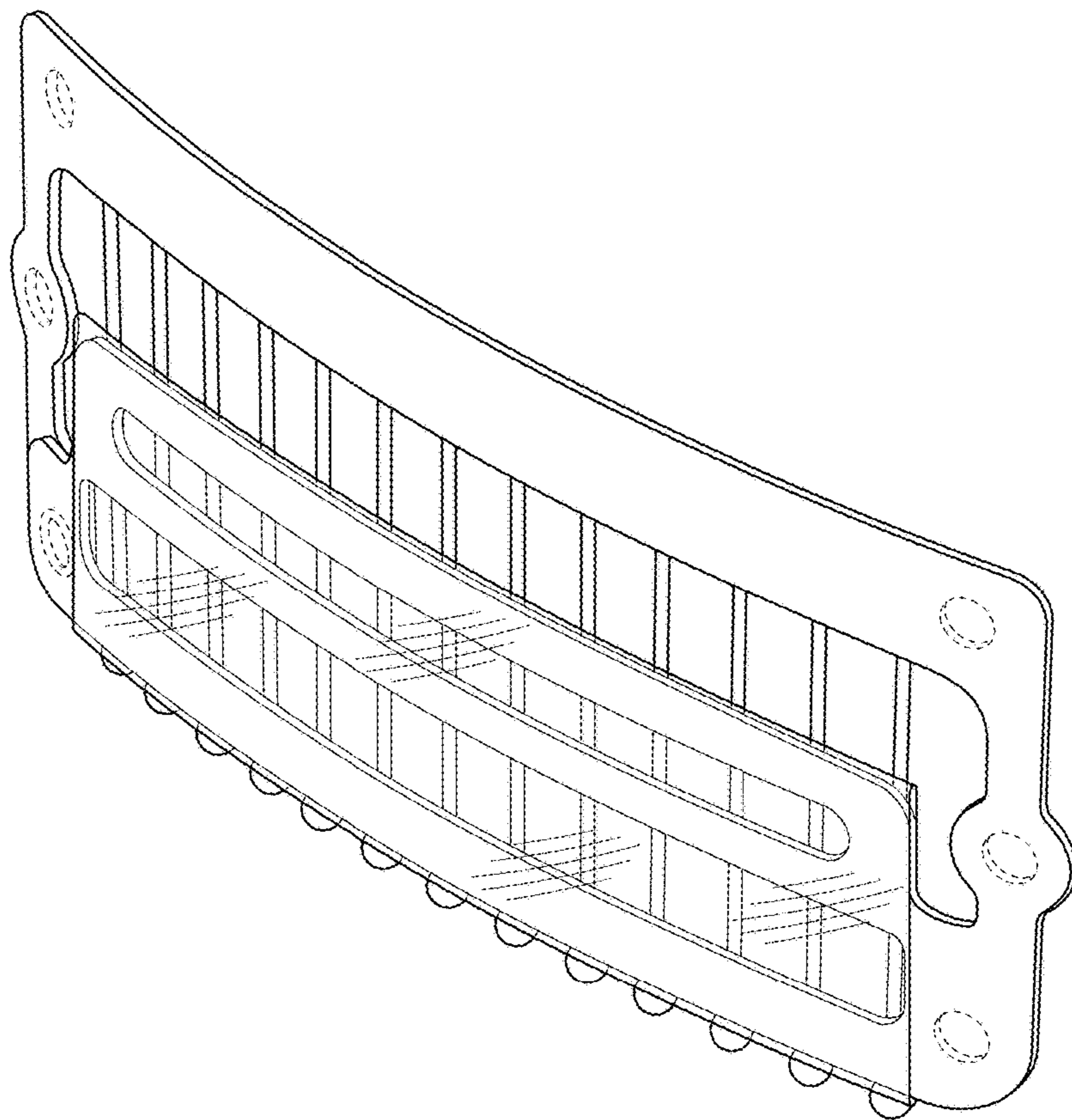


FIG. 1

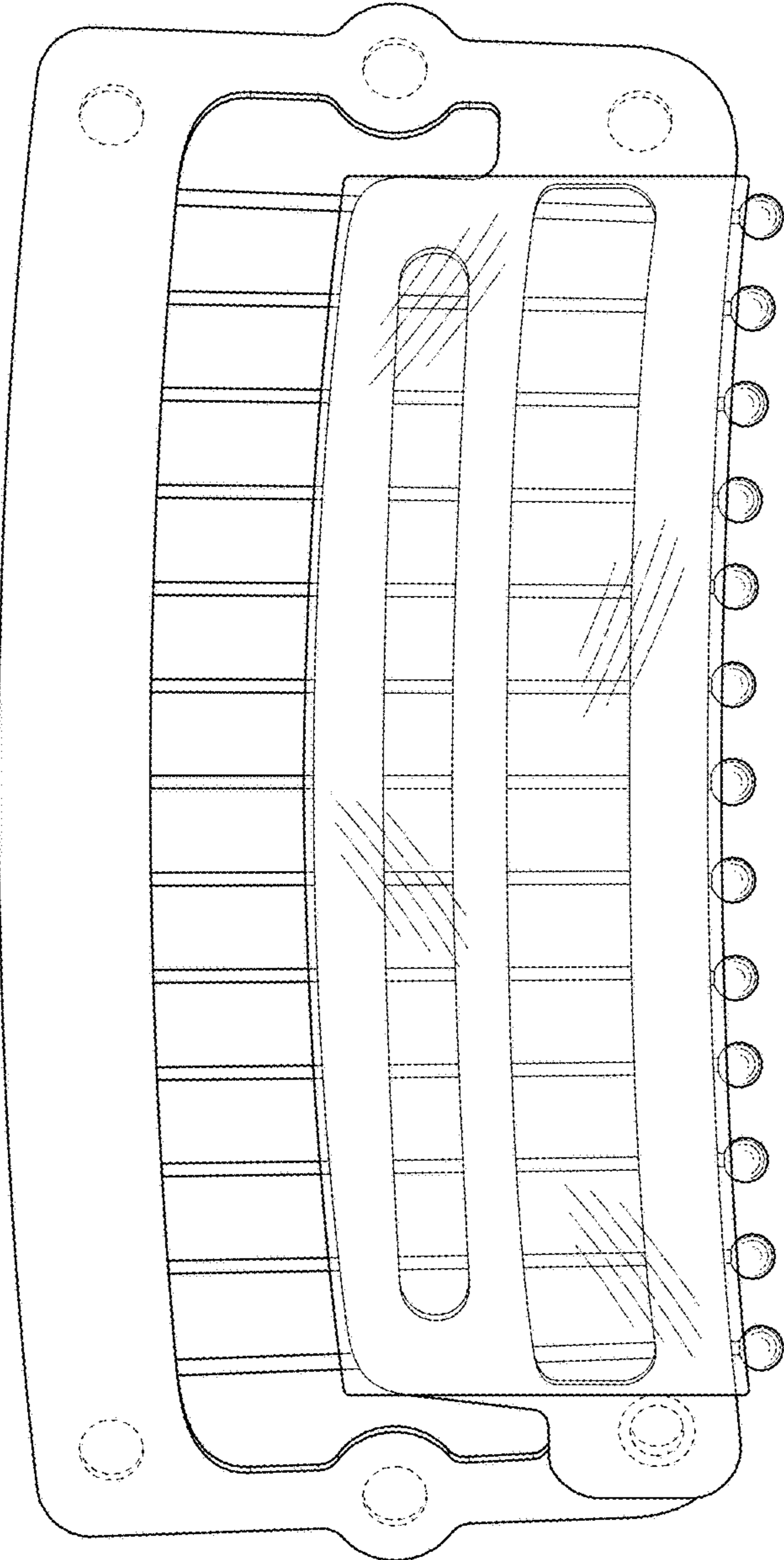


FIG. 2

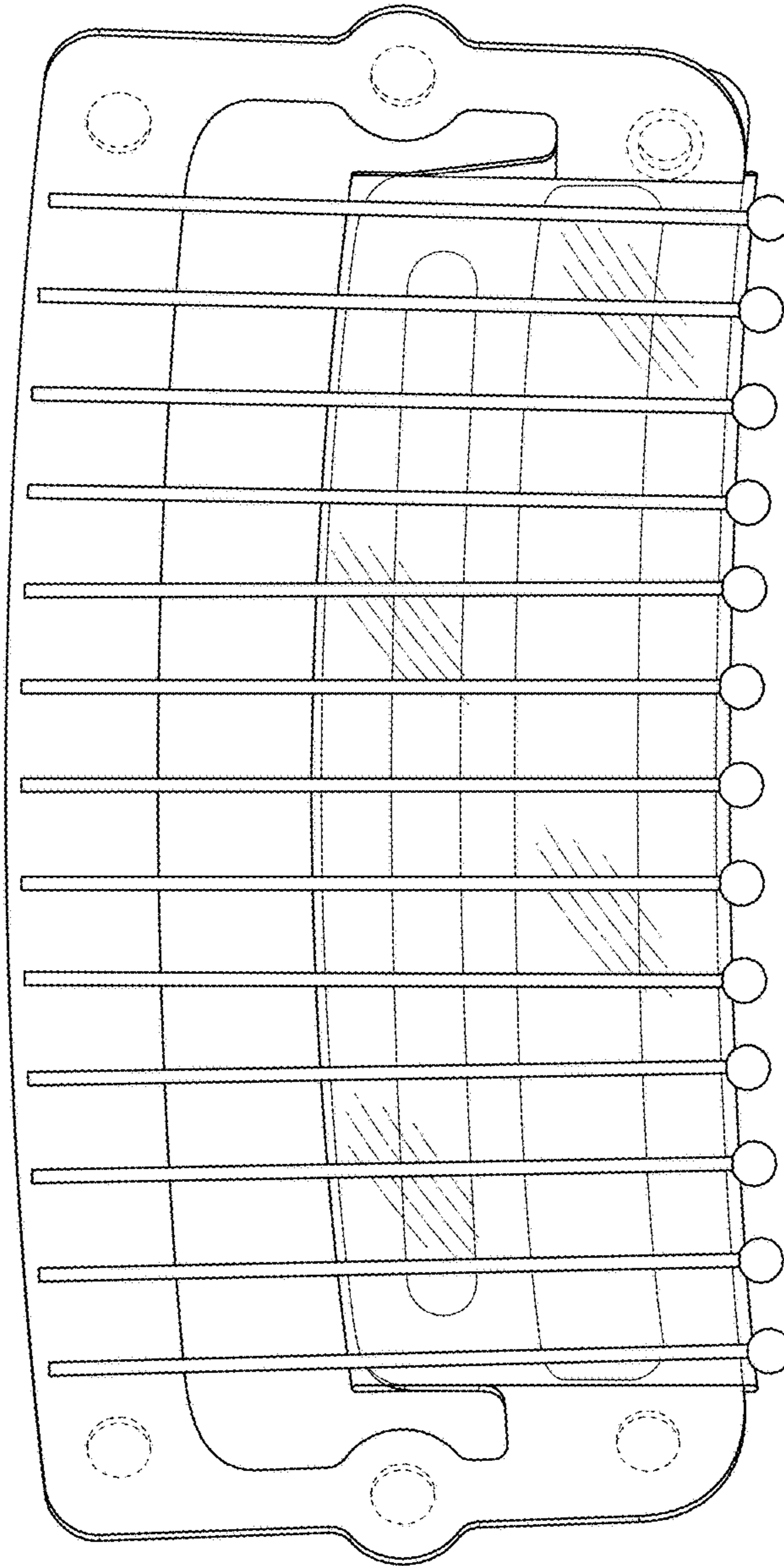


FIG. 3

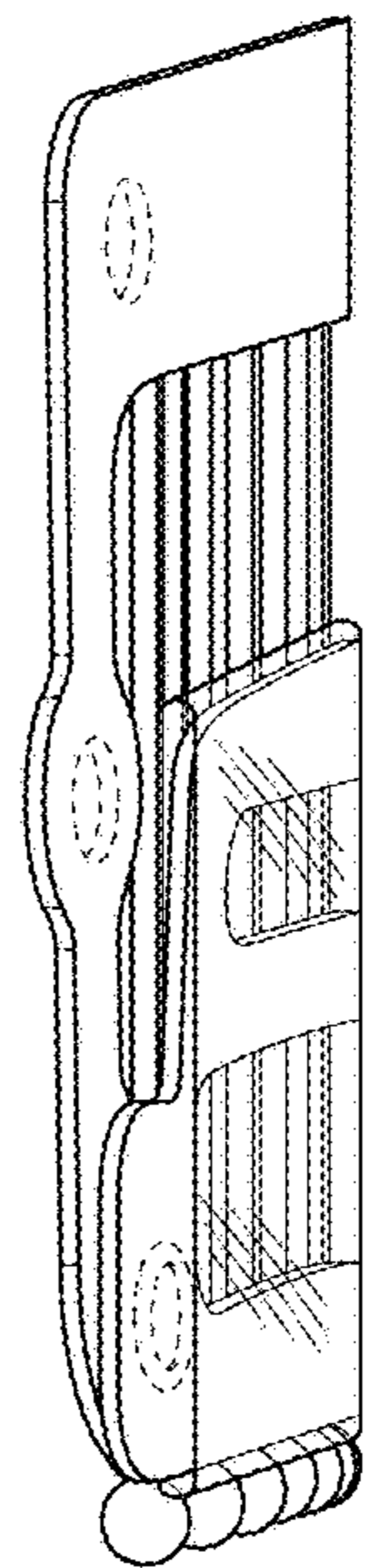


FIG. 4

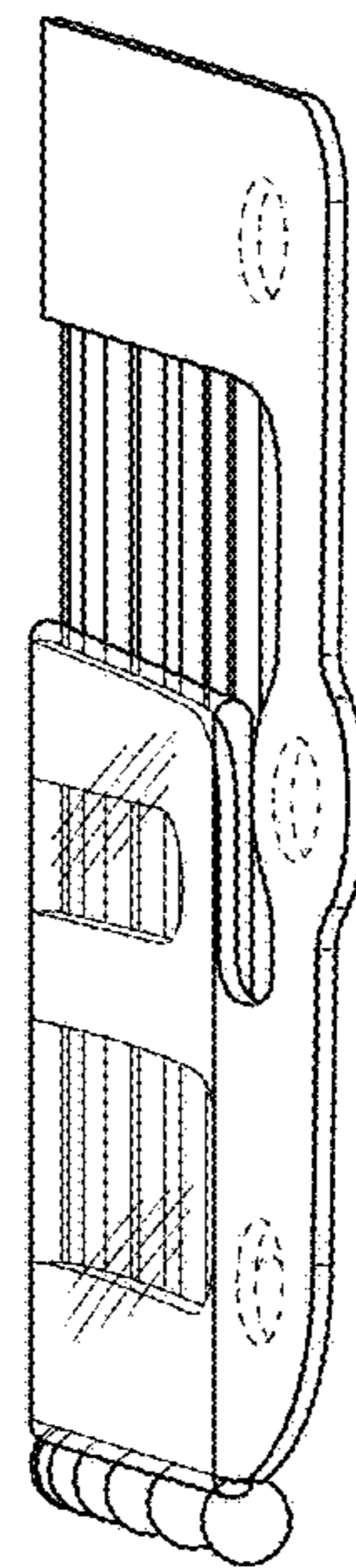


FIG. 5

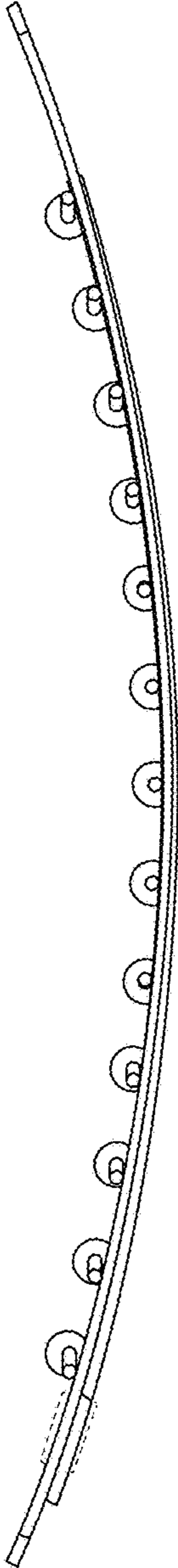


FIG. 6

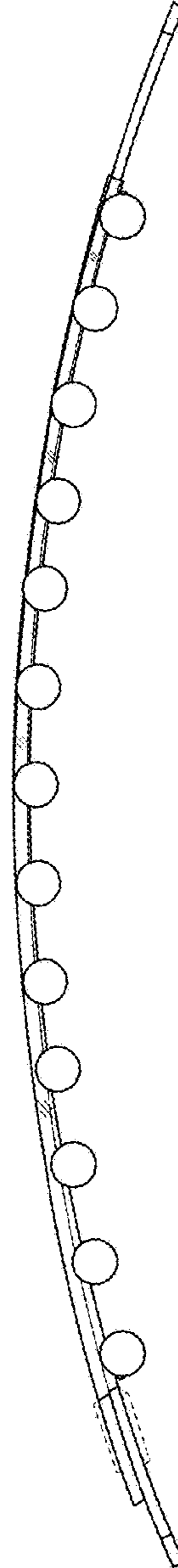


FIG. 7

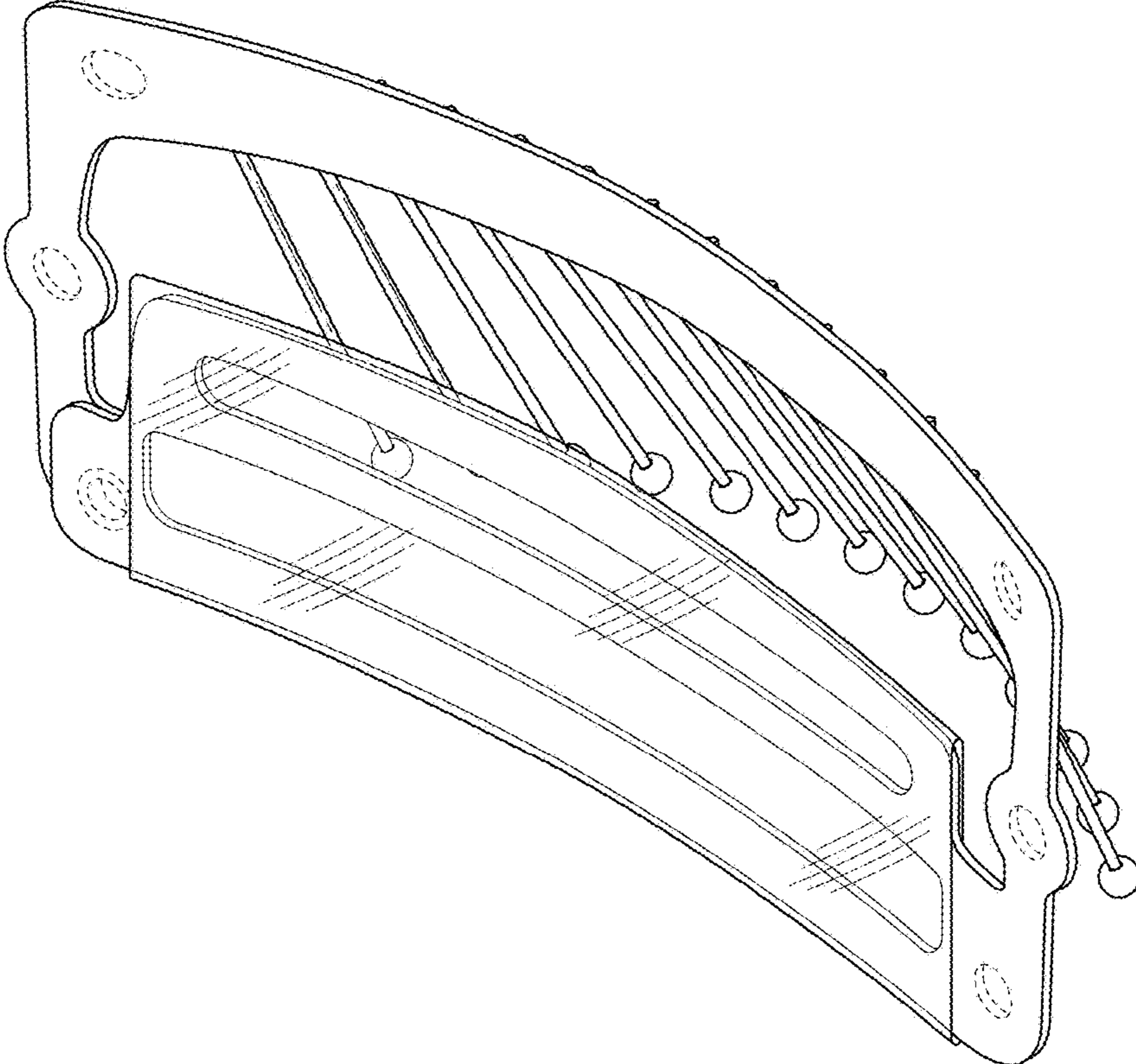


FIG. 8