



US00D854245S

(12) **United States Design Patent**
Takemura et al.

(10) **Patent No.:** **US D854,245 S**
(45) **Date of Patent:** **** Jul. 16, 2019**

- (54) **HAIR STRAIGHTENER**
- (71) Applicant: **JACUNI TECHNOLOGY INC.**,
Alhambra, CA (US)
- (72) Inventors: **Mitsunobu Takemura**, Alhambra, CA
(US); **Hatsuki Ebata**, Alhambra, CA
(US); **Shuping Huang**, Alhambra, CA
(US)
- (73) Assignee: **JACUNI TECHNOLOGY INC.**,
Alhambra, CA (US)
- (**) Term: **15 Years**
- (21) Appl. No.: **29/612,545**
- (22) Filed: **Aug. 1, 2017**
- (51) **LOC (11) Cl.** **28-03**
- (52) **U.S. Cl.**
USPC **D28/35**
- (58) **Field of Classification Search**
USPC D28/10, 35
CPC A45D 1/00; A45D 1/06-14; A45D 1/20;
A45D 2001/002-006
See application file for complete search history.

- 2005/0252521 A1* 11/2005 Leblanc A45D 1/00
132/268
- 2015/0173477 A1* 6/2015 Leung A45D 2/001
132/269
- 2017/0013929 A1* 1/2017 David A45D 2/001

OTHER PUBLICATIONS

REVE Next generation cordless hair straightener, www.amazon.com,
reviewed Oct. 2018, 1 page (Year: 2018).*
Deogra Cordless Mini flat iron USB, 1 page, www.amazon.com,
reviewed Sep. 2018 (Year: 2018).*

* cited by examiner

Primary Examiner — Jennifer Rivard
(74) *Attorney, Agent, or Firm* — Law Offices of Steven
W. Weinrieb

(57) **CLAIM**

The ornamental design for a hair straightener, as shown and
described.

DESCRIPTION

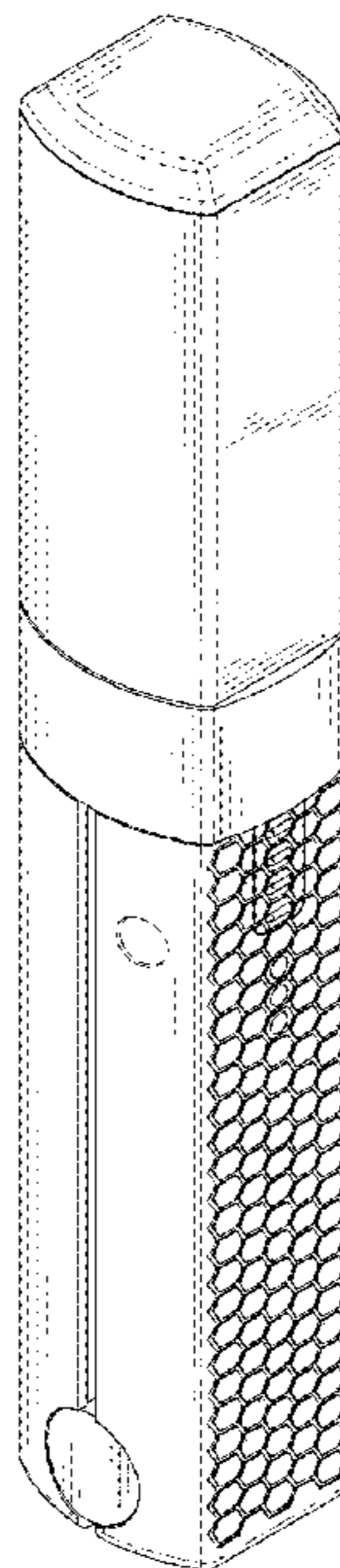
FIG. 1 is a first perspective view of a hair straightener
showing our new design;
FIG. 2 is a second perspective view thereof;
FIG. 3 is a front elevational view thereof;
FIG. 4 is a rear elevational view thereof;
FIG. 5 is a left side view thereof;
FIG. 6 is a right side view thereof;
FIG. 7 is a bottom plan view thereof; and,
FIG. 8 is a top plan view thereof.
The broken lines in the drawings illustrate portions of the
hair straightener which form no part of the claimed design.

1 Claim, 8 Drawing Sheets

(56) **References Cited**

U.S. PATENT DOCUMENTS

- D261,317 S * 10/1981 Oberheim D28/35
- D269,299 S * 6/1983 Oberheim D28/35
- D391,019 S * 2/1998 Seifert D28/35
- D598,163 S * 8/2009 Overend D28/35
- D645,613 S * 9/2011 Schmitz D28/35
- D758,013 S * 5/2016 Bermudez D28/35



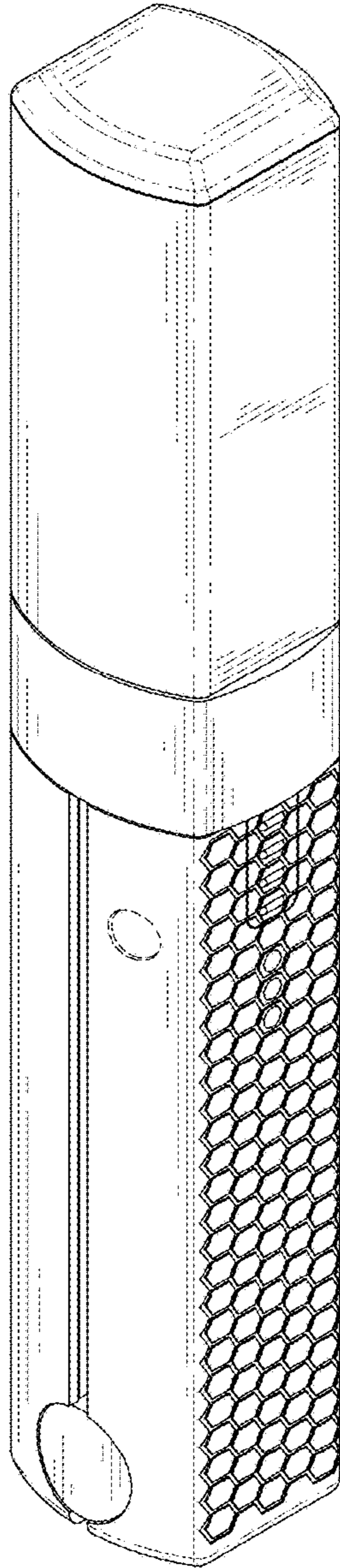


FIG. 1

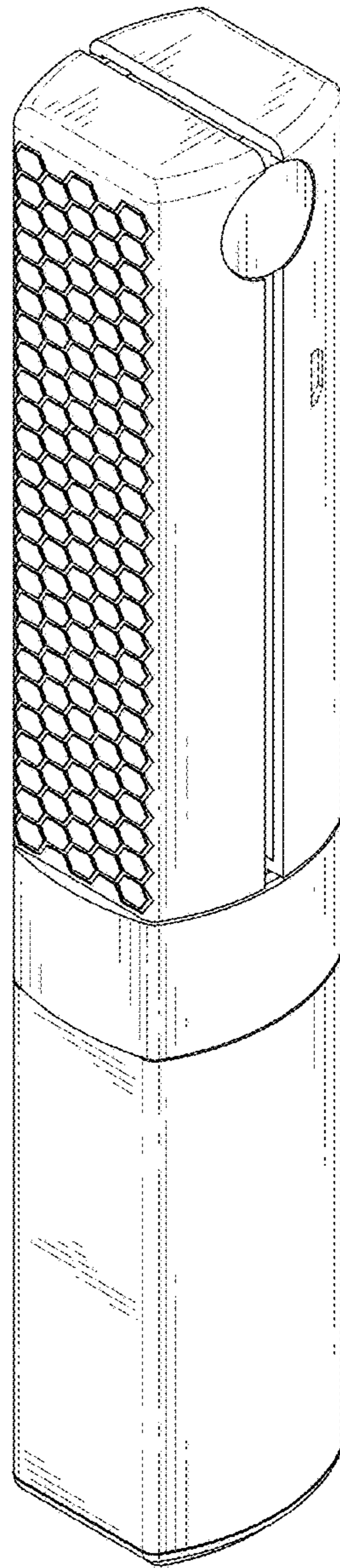


FIG. 2

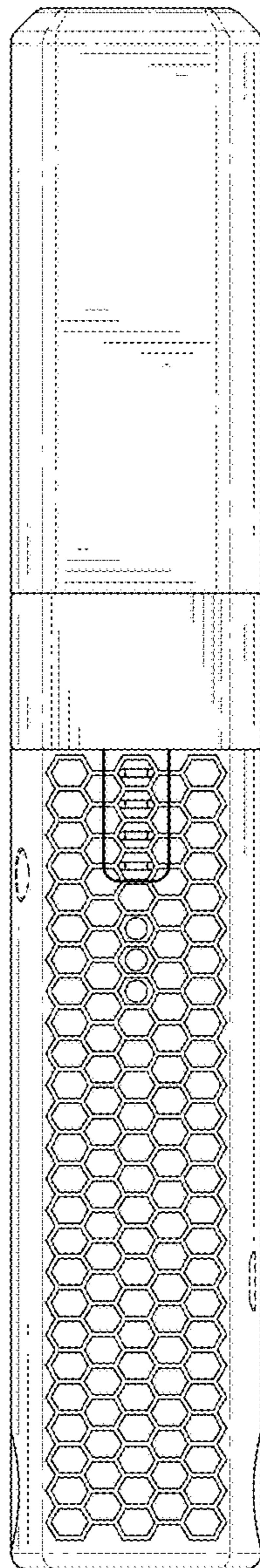


FIG. 3

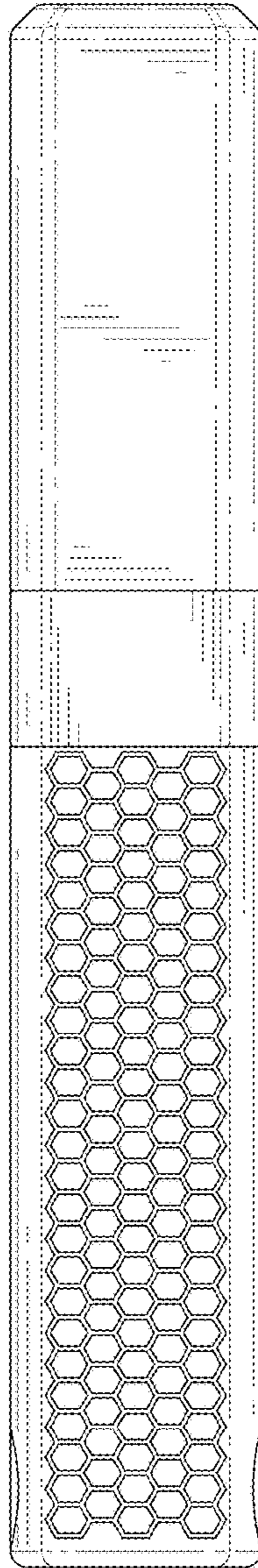


FIG. 4

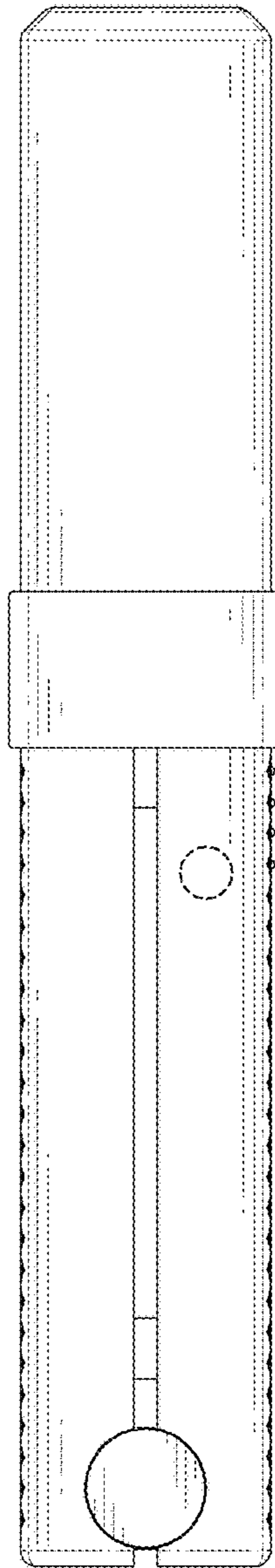


FIG. 5

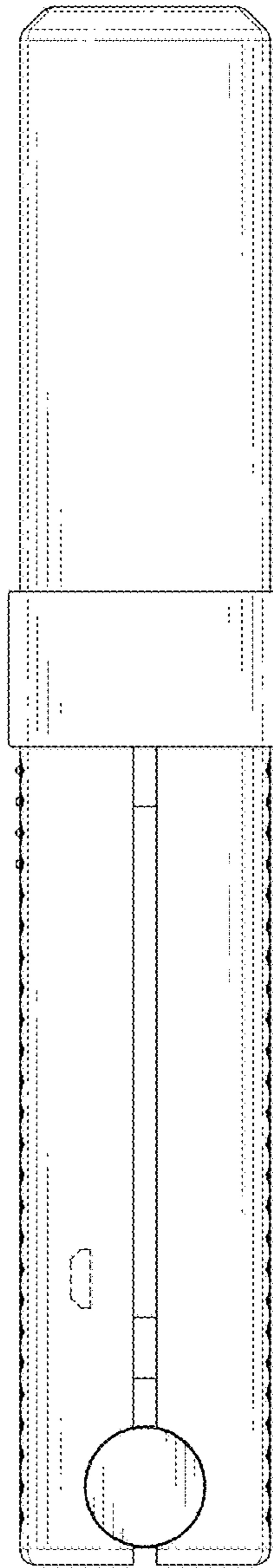


FIG. 6

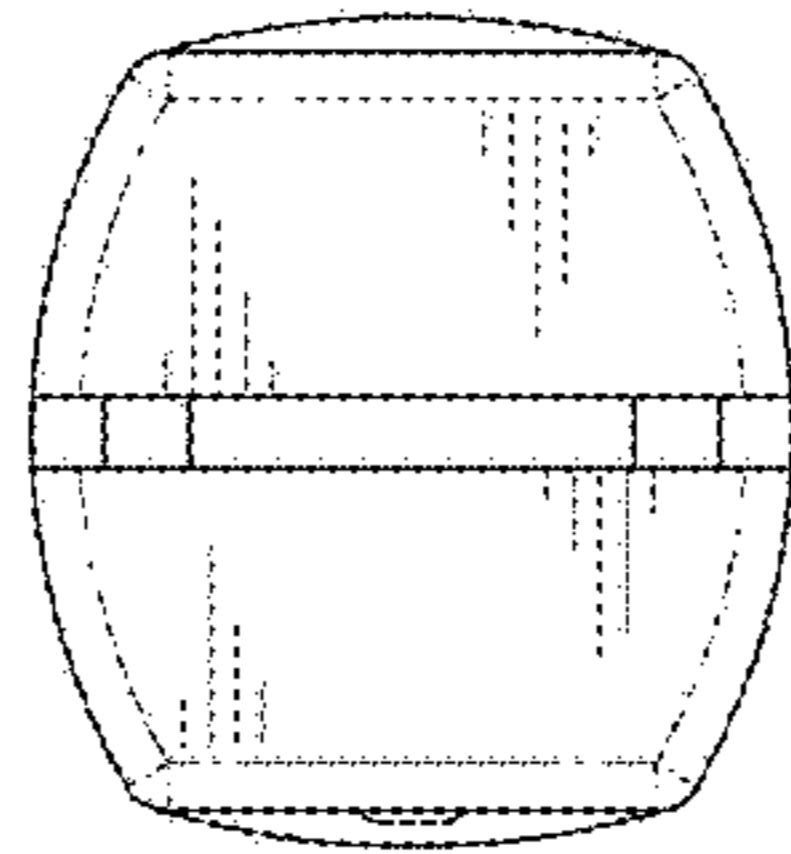


FIG. 7

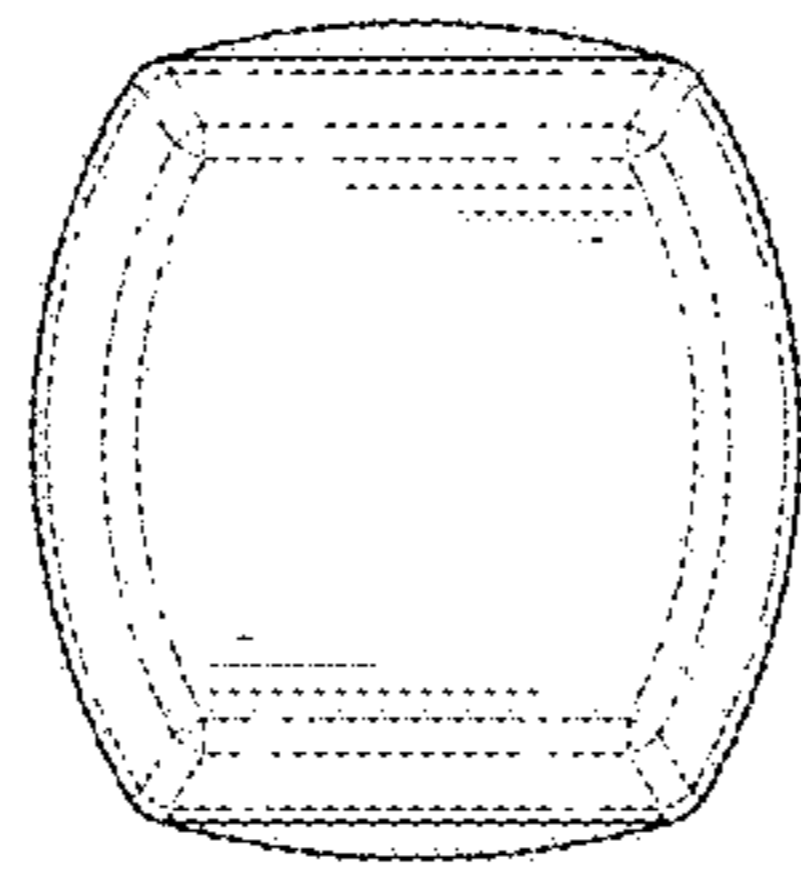


FIG. 8