



US00D854244S

(12) **United States Design Patent** (10) **Patent No.:** **US D854,244 S**  
**Skinner** (45) **Date of Patent:** **\*\* Jul. 16, 2019**

(54) **LICE COMB**

(71) Applicant: **Pam Skinner**, Huntingdon Beach, CA (US)

(72) Inventor: **Pam Skinner**, Huntingdon Beach, CA (US)

(\*\*) Term: **15 Years**

(21) Appl. No.: **29/645,717**

(22) Filed: **Apr. 27, 2018**

(51) **LOC (11) Cl.** ..... **28-03**

(52) **U.S. Cl.**  
USPC ..... **D28/31**

(58) **Field of Classification Search**  
USPC ..... D28/22, 21, 10, 25, 27, 30, 31, 34;  
D30/158, 159; 132/219, 146, 149, 159  
CPC ..... A45D 24/02; A45D 24/00; A45D 24/12;  
A45D 24/34  
See application file for complete search history.

(56) **References Cited**

**U.S. PATENT DOCUMENTS**

D353,915 S *	12/1994	Lanne	.....	D28/31
D358,000 S *	5/1995	Molenaar	.....	D28/22
D367,544 S *	2/1996	Bozak	.....	D28/31
5,873,374 A *	2/1999	Sanz	.....	A45D 24/30
				132/125
D420,170 S *	2/2000	Chen	.....	D28/22
D434,183 S *	11/2000	Fraenkel	.....	D28/22
D441,136 S *	4/2001	Leman	.....	D28/31
D457,267 S *	5/2002	Levandovsky	.....	D28/31
D493,571 S *	7/2004	Jenkins	.....	D28/31

D495,089 S *	8/2004	Tomaro	.....	D28/21
D524,983 S *	7/2006	Smith	.....	D28/31
D561,393 S *	2/2008	Burchakchi	.....	D28/21
D644,376 S *	8/2011	Morrill	.....	D28/21
D770,093 S *	10/2016	Smith	.....	D28/21
D787,130 S *	5/2017	Tokko	.....	D28/92
D810,357 S *	2/2018	Stephenson	.....	D28/22
D812,813 S *	3/2018	Stephenson	.....	D28/22

**OTHER PUBLICATIONS**

<https://www.amazon.com/Professional-Reusable-Adults-Treatment-Helix-Spiraled/product-reviews/B0758B8TFW/> Jun. 12, 2018.\*

\* cited by examiner

*Primary Examiner* — Janice Hallmark

*Assistant Examiner* — Rebecca Tsehaye

(74) *Attorney, Agent, or Firm* — Rutan & Tucker, LLP

(57) **CLAIM**

The ornamental design for lice comb, as shown and described.

**DESCRIPTION**

FIG. 1—Top, front, left side perspective view of the lice comb;

FIG. 2—Front elevation view the rear elevation view being a mirror image;

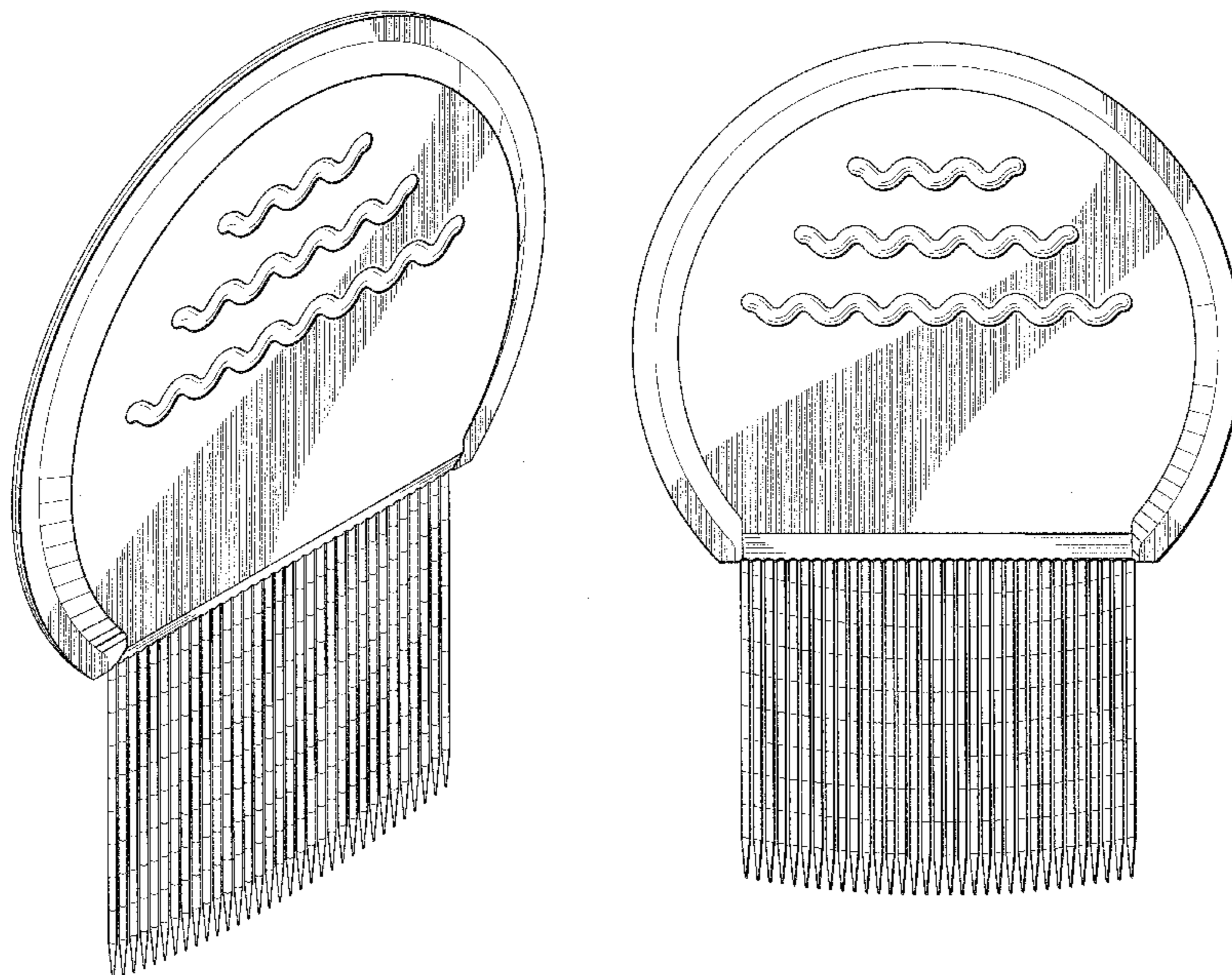
FIG. 3—Left side elevation view, the right side elevation view being a mirror image;

FIG. 4—Top plan view;

FIG. 5—Bottom plan view; and,

FIG. 6—Bottom, rear, right side perspective view.

**1 Claim, 5 Drawing Sheets**



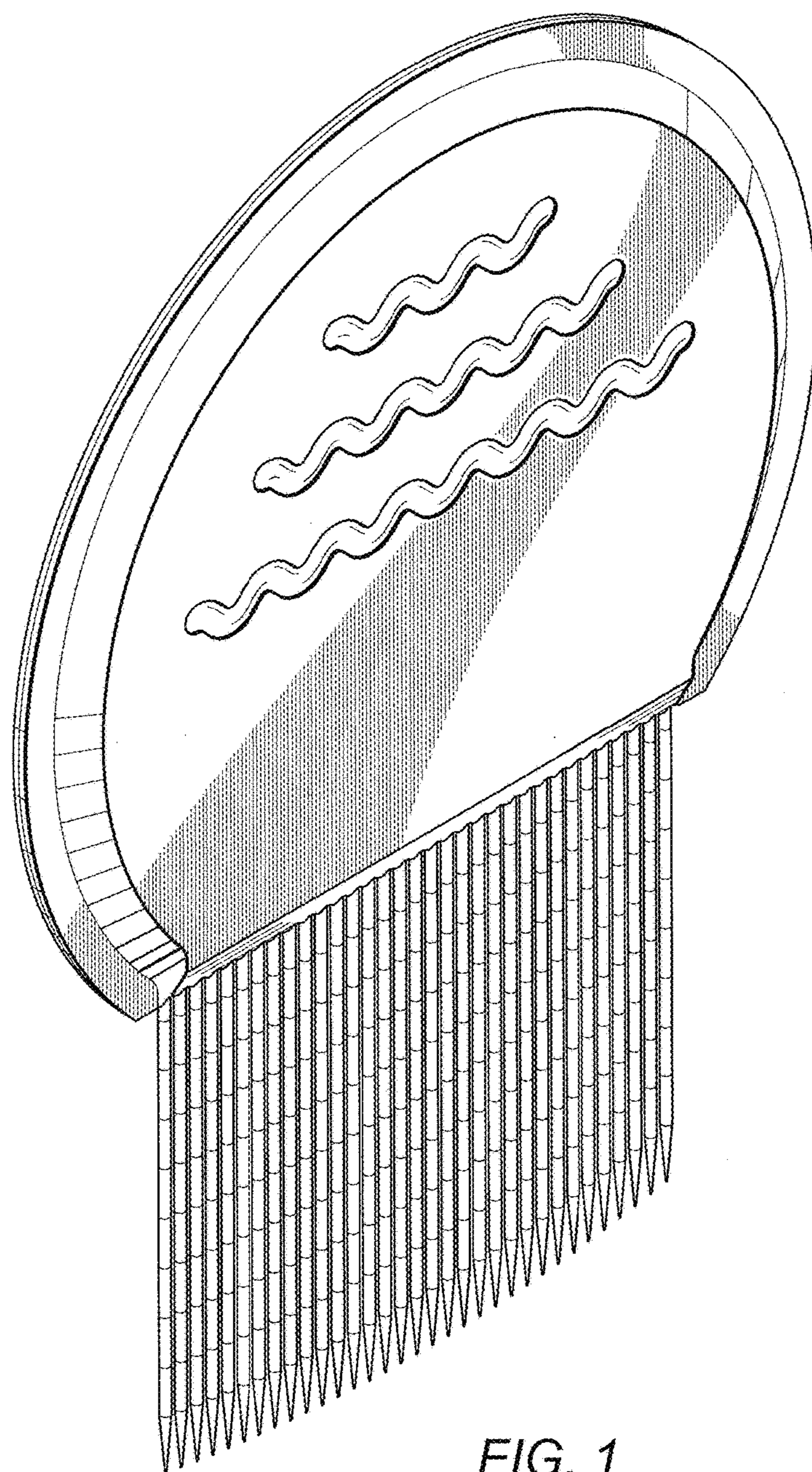


FIG. 1

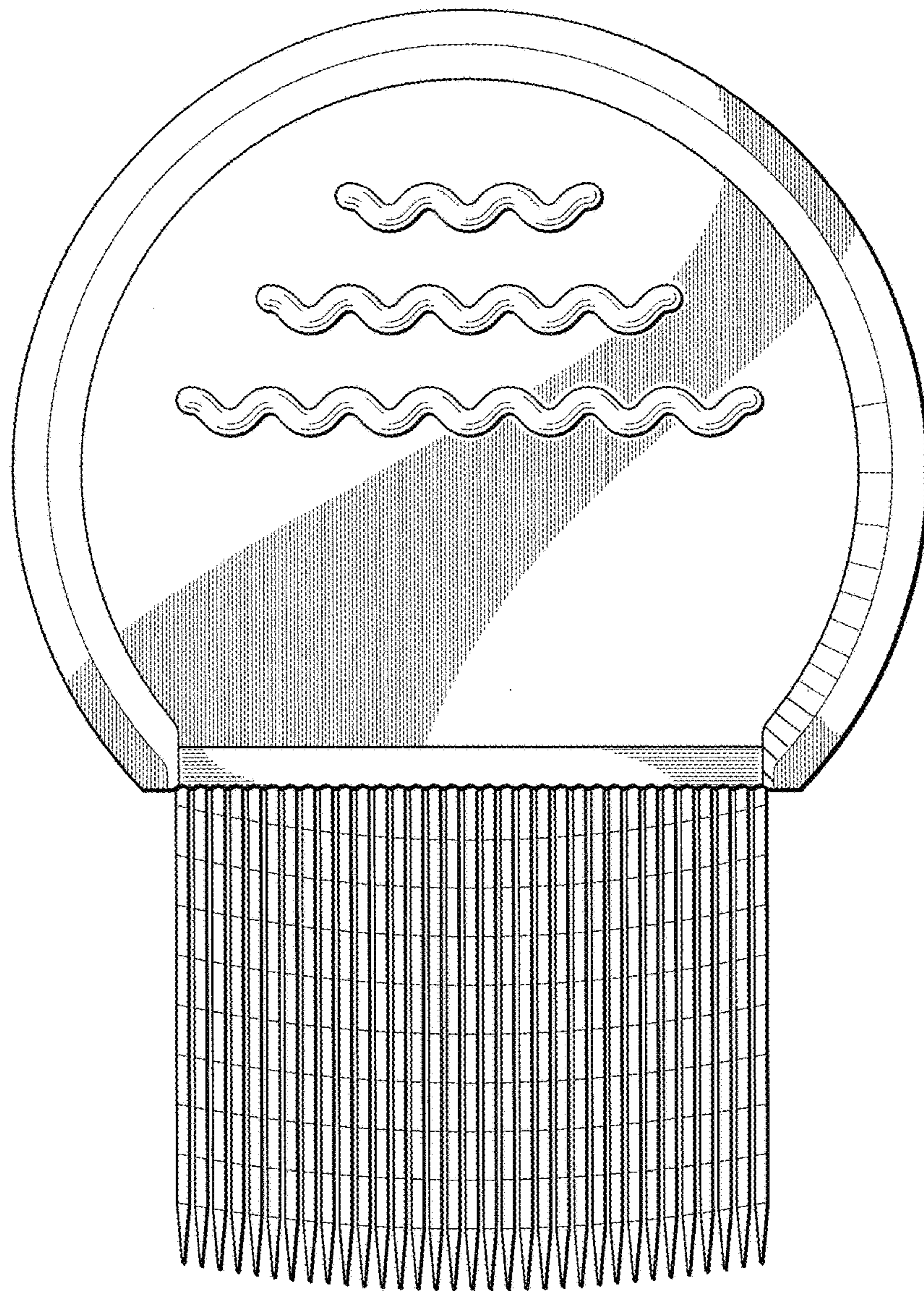


FIG. 2

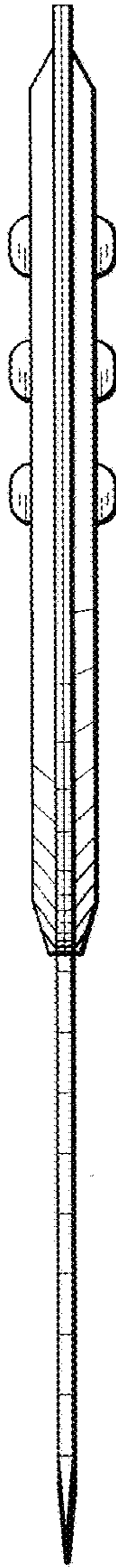


FIG. 3

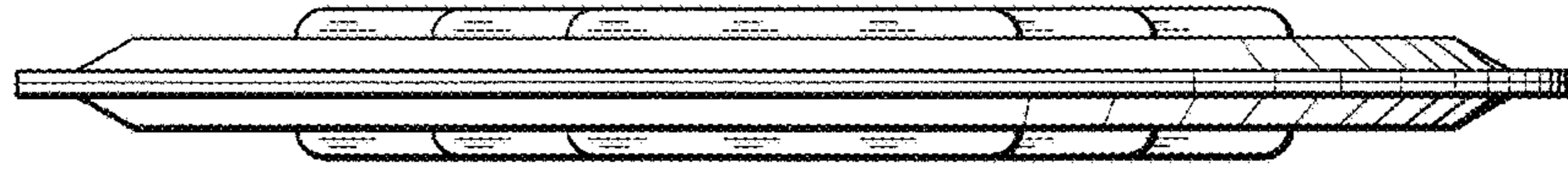


FIG. 4



FIG. 5

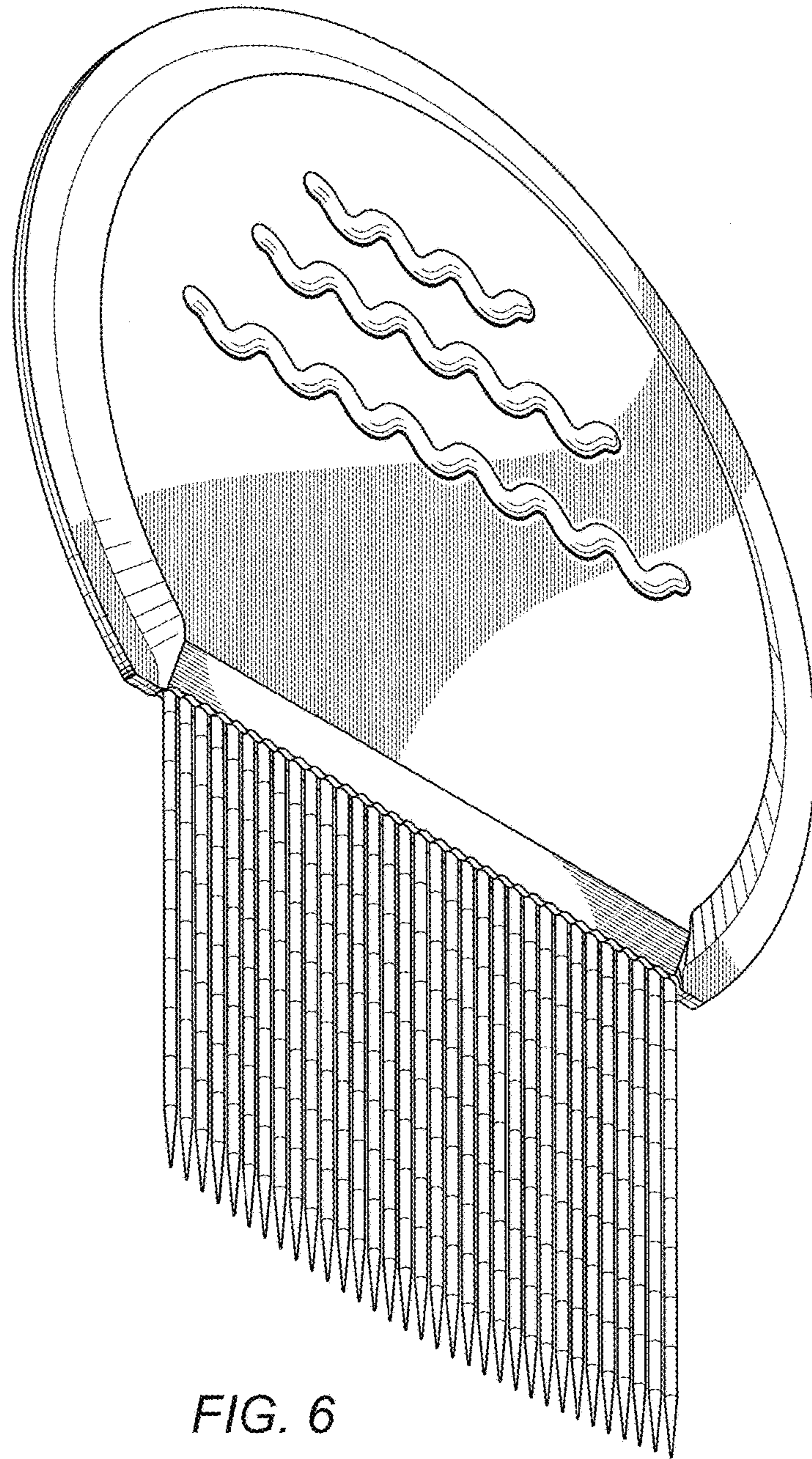


FIG. 6