



US00D854243S

(12) **United States Design Patent** (10) **Patent No.:** **US D854,243 S**
Parodi (45) **Date of Patent:** **** Jul. 16, 2019**

(54) **HAIR DRYER** D651,342 S * 12/2011 Kim D28/13
D655,038 S * 2/2012 Petruccelli D28/13
(71) Applicant: **Parlux S.p.A.**, Trezzano sul Naviglio D678,607 S * 3/2013 Parodi D28/13
(Milan) (IT) D681,274 S * 4/2013 Huang D28/13
D715,485 S * 10/2014 Parodi A45D 20/12
(72) Inventor: **Paolo Parodi**, Trezzano sul Naviglio D716,998 S * 11/2014 Americano A45D 20/122
(IT) D28/13

(73) Assignee: **PARLUX S.P.A.**, Trezzano sul Naviglio
(Milan) (IT)

(**) Term: **15 Years**

(21) Appl. No.: **29/590,357**

(22) Filed: **Jan. 10, 2017**

(30) **Foreign Application Priority Data**

Oct. 7, 2016 (EM) 003411503-0001

(51) **LOC (11) Cl.** **28-03**

(52) **U.S. Cl.**
USPC **D28/13**

(58) **Field of Classification Search**
USPC D28/9, 24, 28, 54.1, 12, 13, 18, 14, 15,
D28/16, 19; D8/14.1, 29.1-29.2, 68, 45,
D8/70, 90; D7/379, 376, 380
CPC A45D 20/00; A45D 20/04; A45D 20/06;
A45D 20/08; A45D 20/10; A45D 20/12;
A45D 20/124; A45D 20/26; A45D 20/28;
A45D 20/48; A45D 20/50

See application file for complete search history.

(56) **References Cited**

U.S. PATENT DOCUMENTS

D496,754 S * 9/2004 Parodi D28/13
D518,919 S * 4/2006 Parodi D28/13
D615,243 S * 5/2010 Parodi D28/13
D641,521 S * 7/2011 Parodi D28/13

OTHER PUBLICATIONS

Amazon, Parlux Friendly 3800 Hair Dryer, reviewed Jan. 18, 2013].
Available from Internet, <URL: https://www.amazon.com/Parlux-
Friendly-3800-Dryer-White/dp/B007VCFVWC> (Year: 2013).*

(Continued)

Primary Examiner — Sheryl Lane

Assistant Examiner — Samantha N Wood

(74) *Attorney, Agent, or Firm* — Jacobson Holman,
PLLC.

(57) **CLAIM**

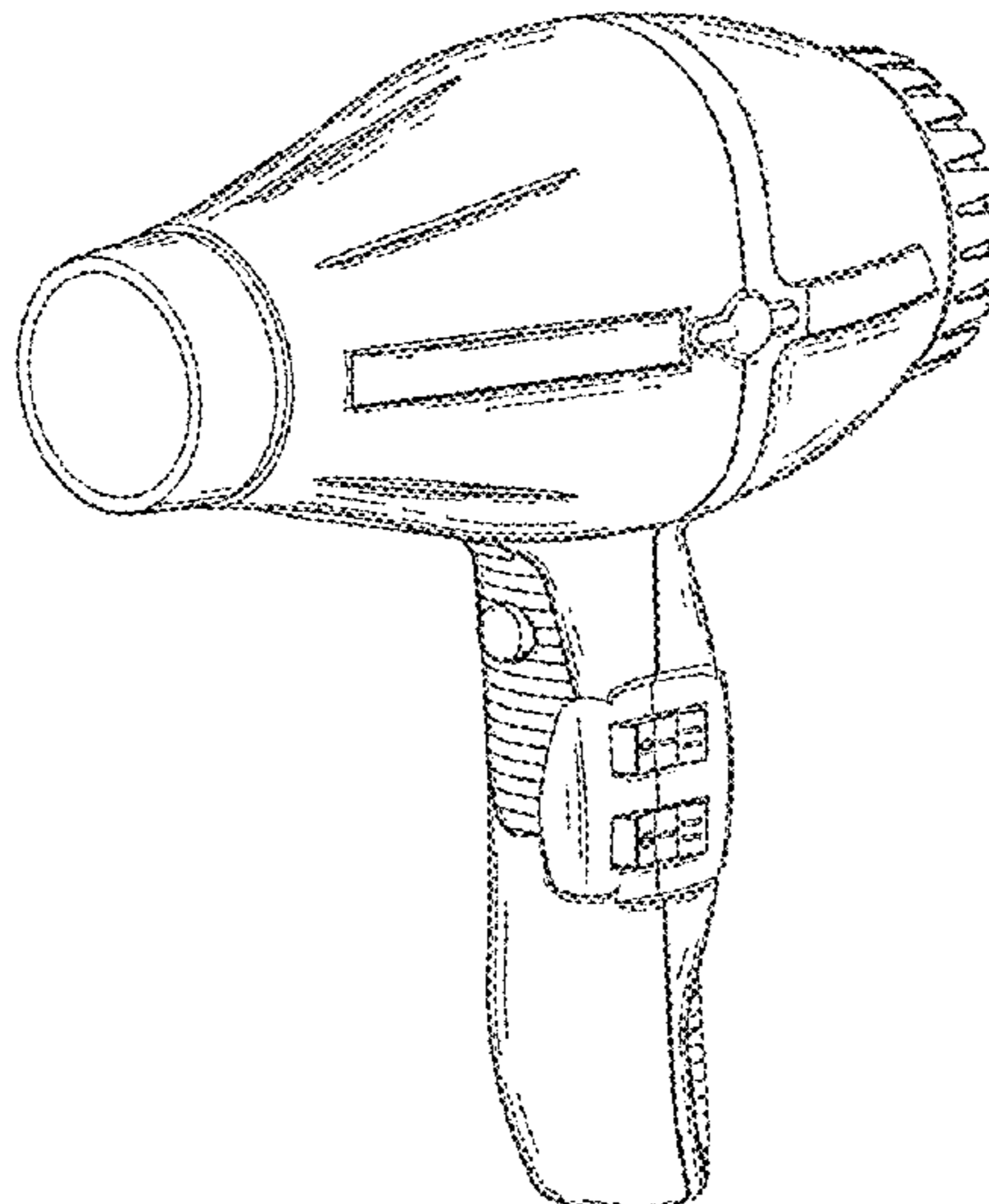
I claim the ornamental design for a hair dryer, as shown and
described.

DESCRIPTION

FIG. 1 is a front perspective view of a hair dryer showing my
new design;
FIG. 2 is a rear perspective view of FIG. 1;
FIG. 3 is a right hand side elevational view of FIG. 1;
FIG. 4 is a left hand side elevational view of FIG. 1;
FIG. 5 is a top plan view of FIG. 1;
FIG. 6 is a front elevational view of FIG. 1;
FIG. 7 is a rear elevational view of FIG. 1; and,
FIG. 8 is a bottom view of FIG. 1.

The portions of the hair dryer shown in broken lines form no
part of the claimed design.

1 Claim, 8 Drawing Sheets



(56)

References Cited

OTHER PUBLICATIONS

Amazon, Hair Tools Twin Turbo 2600 Dryers, posted Oct. 9, 2010, [online], [site visited Jun. 19, 2018]. Available from Internet, <URL: https://www.amazon.co.uk/Hair-Tools-Turbo-Dryer-Black/dp/B007U42502/ref=sr_1_48_a_it?ie=UTF8&qid=1529425289&sr=8-48&keywords=parlux+hair+dryer> (Year: 2010).*

Allure, 10 Under \$50: Blow-Dryers, posted Aug. 12, 2013, [online], [site visited Jun. 19, 2018]. Available from Internet, <URL: <https://www.allure.com/gallery/ten-hair-dryers-under-50>> (Year: 2013).*

Amazon, Turbo Power Twin Turbo 3200, review on May 20, 2015, [online], [site visited Jun. 19, 2018]. Available from Internet, <URL: https://www.amazon.com/Turbo-Power-Black-Health-Beauty/dp/B000HP3J1U/ref=zg_bs_11058141_99?_encoding=UTF8&psc=1&refRID=EFE7GAM7V2V20YD1WPHS> (Year: 2015).*

* cited by examiner

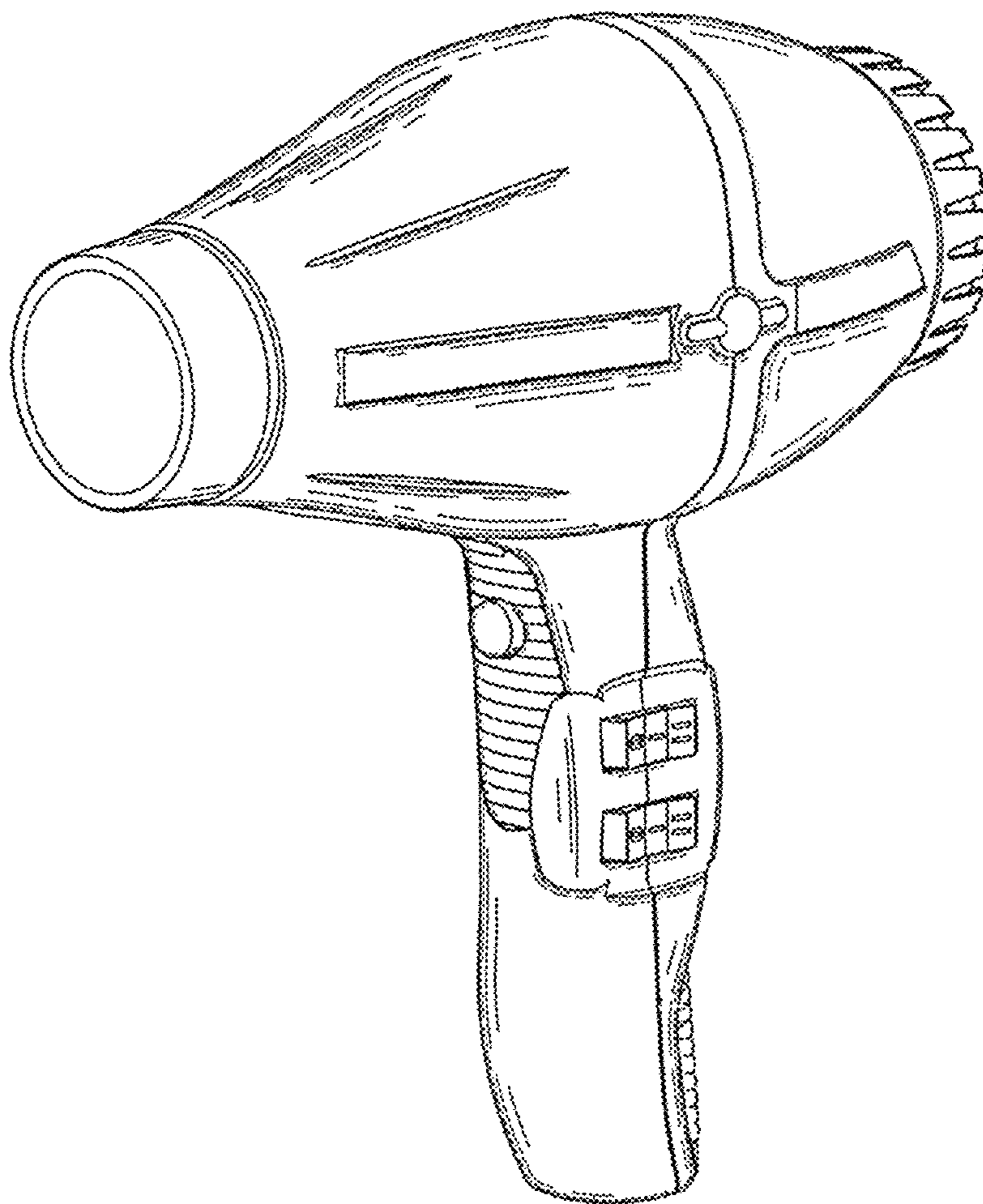


FIG .1

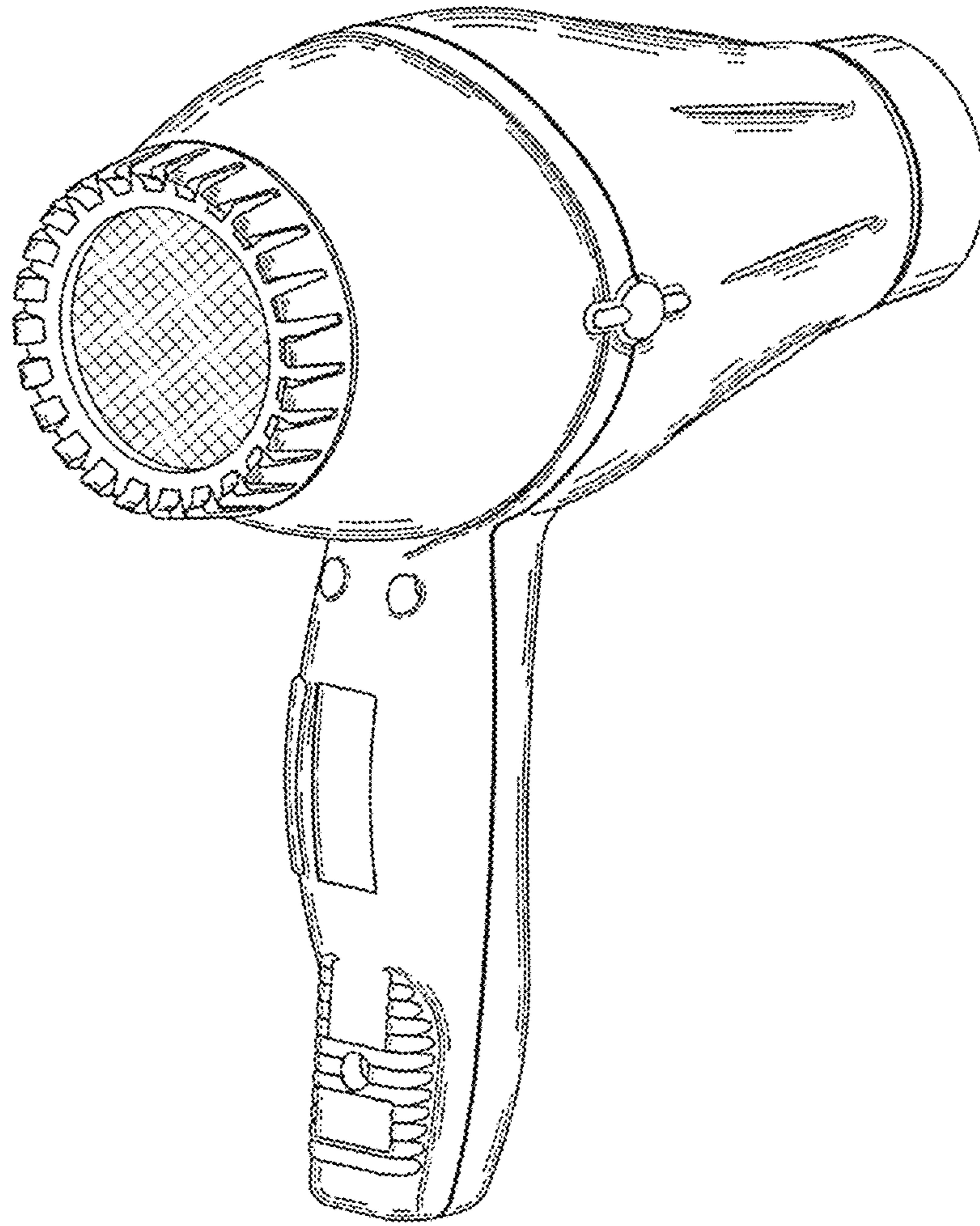


FIG .2

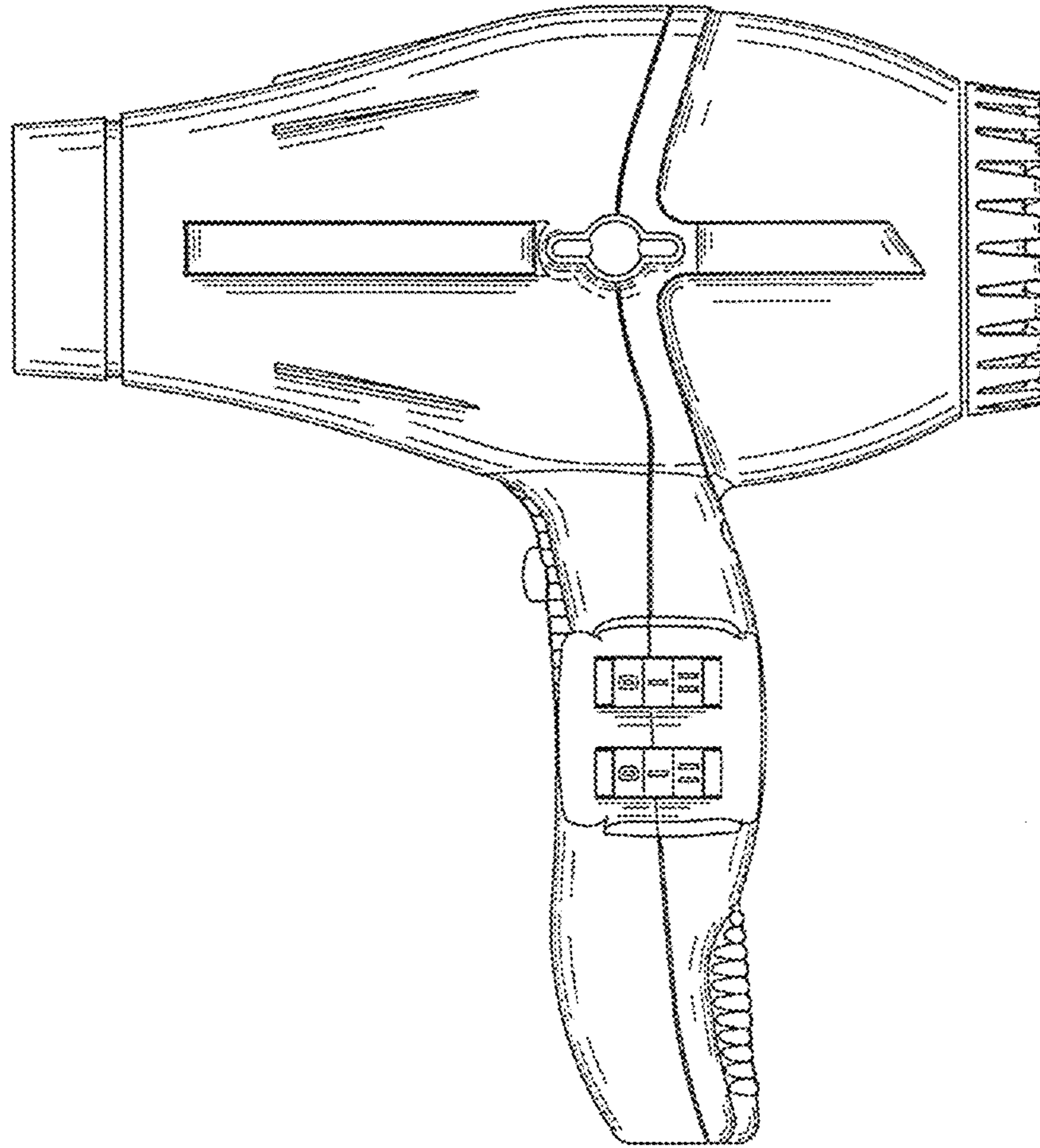


FIG. 3

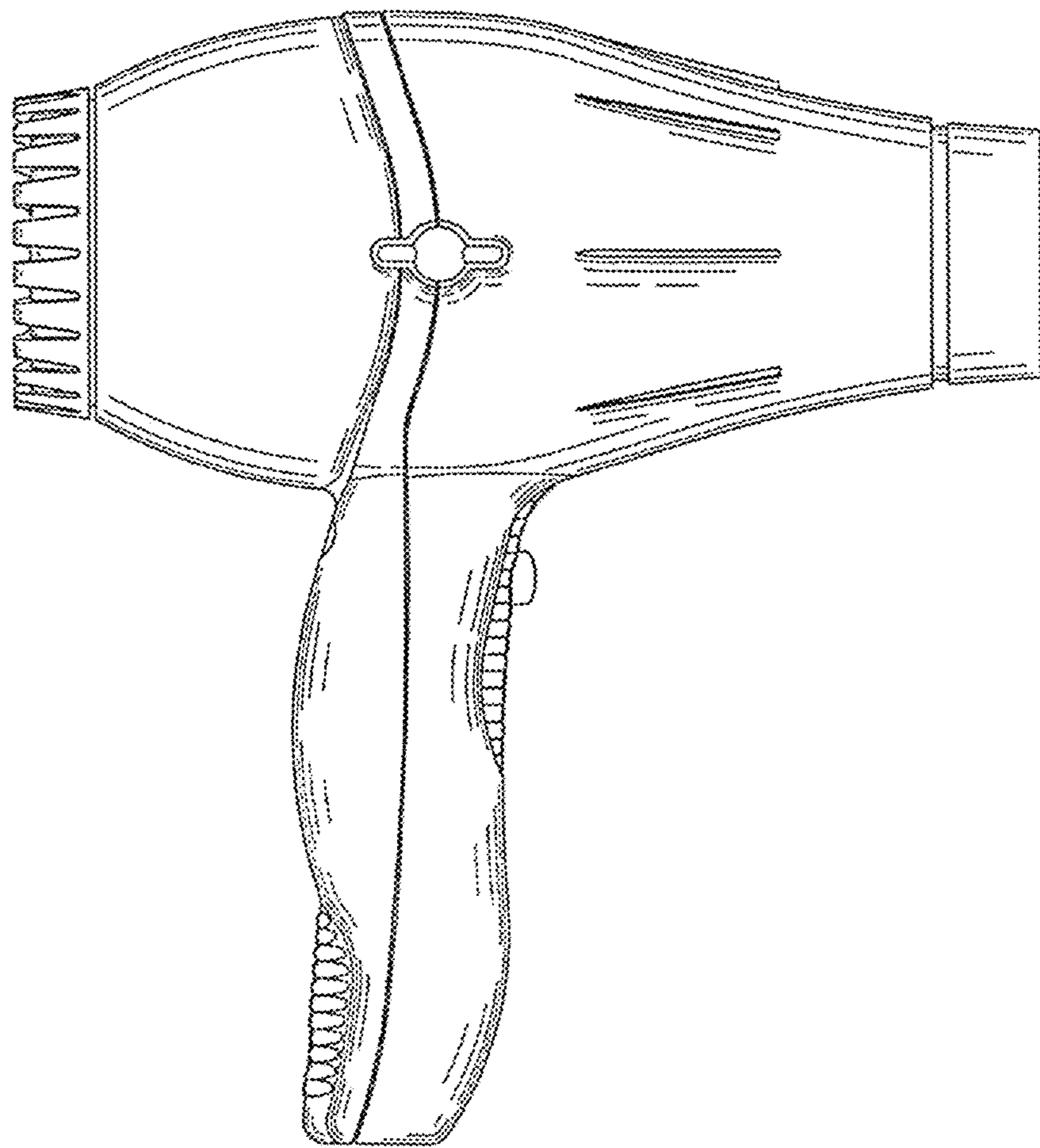


FIG. 4

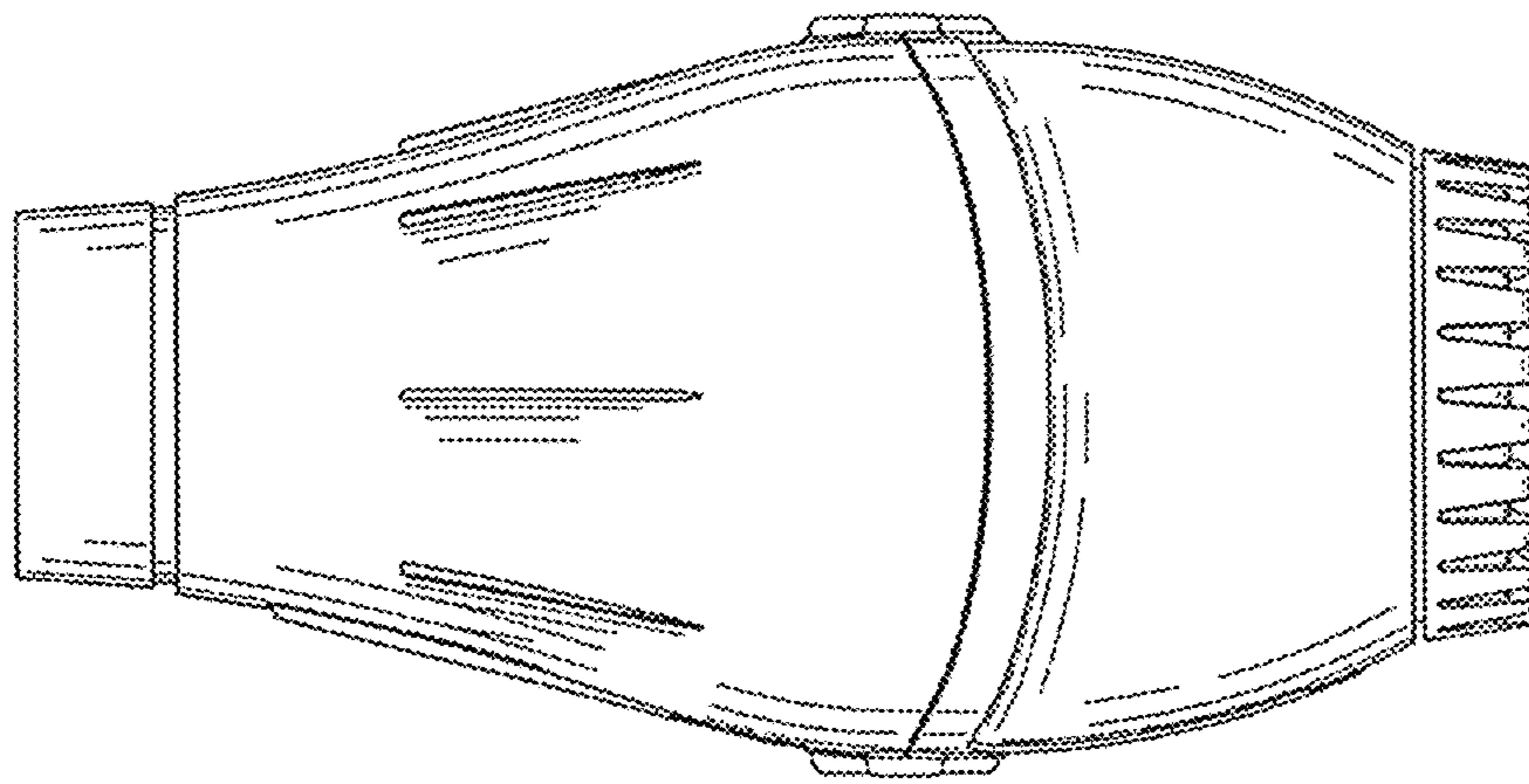


FIG .5

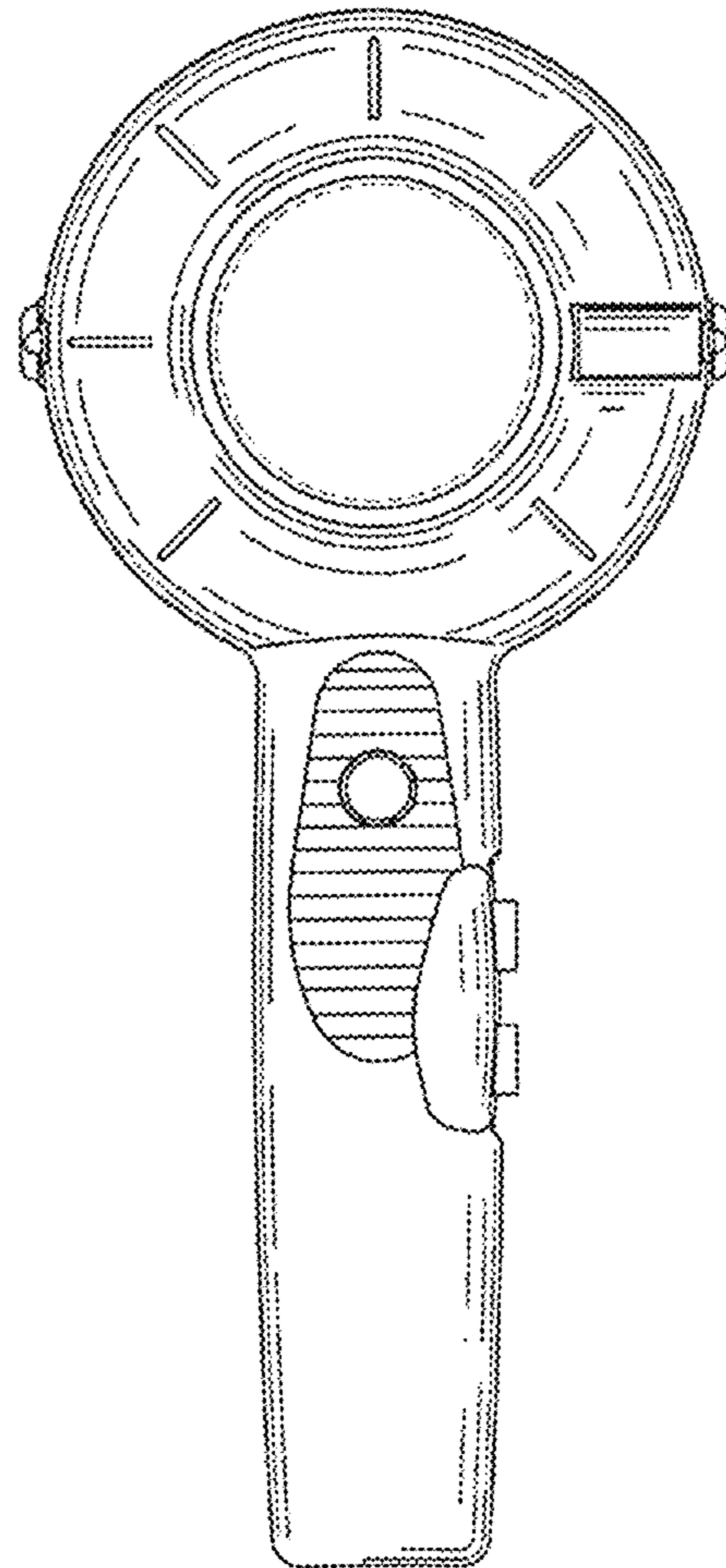


FIG .6

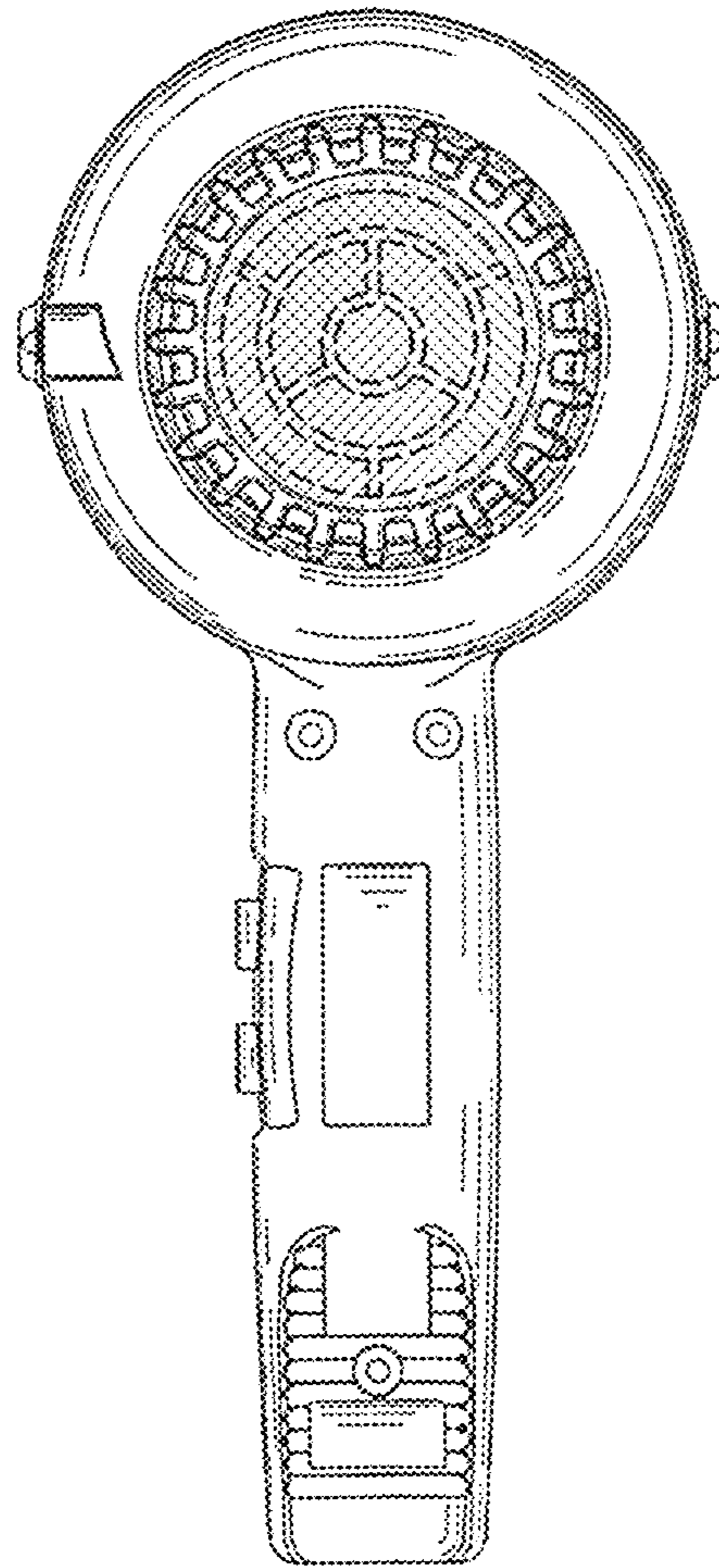


FIG .7

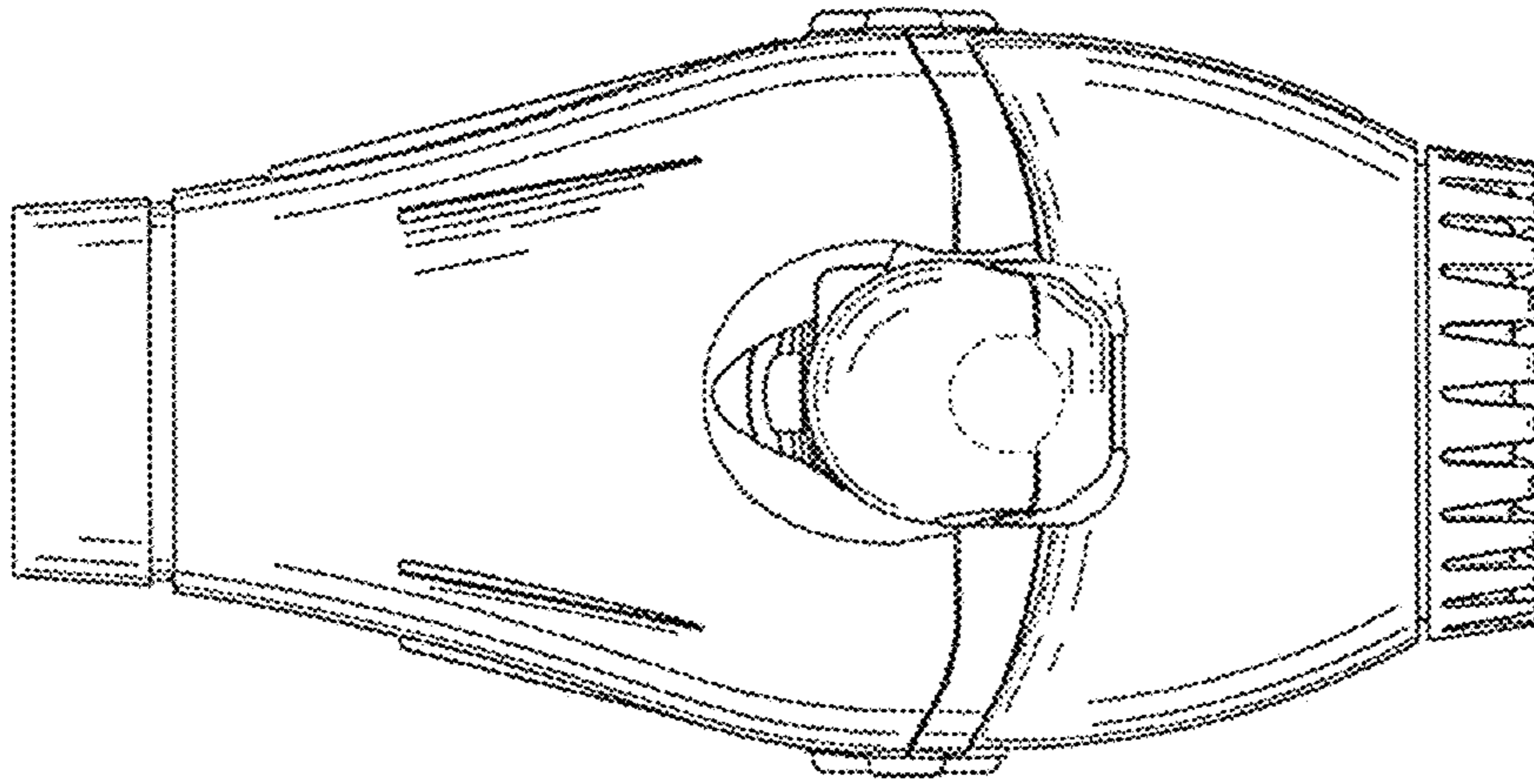


FIG .8