



US00D854242S

(12) **United States Design Patent**
Tuttle

(10) **Patent No.:** **US D854,242 S**
(45) **Date of Patent:** **** Jul. 16, 2019**

(54) **HANDLE FOR NAIL POLISH APPLICATOR**

(71) Applicant: **OJIP, LLC**, Los Angeles, CA (US)

(72) Inventor: **Sarah Gibson Tuttle**, Los Angeles, CA (US)

(73) Assignee: **OJIP, LLC**, Los Angeles, CA (US)

(**) Term: **15 Years**

(21) Appl. No.: **29/665,889**

(22) Filed: **Oct. 8, 2018**

(51) **LOC (11) Cl.** **28-03**

(52) **U.S. Cl.**
USPC **D28/7; D28/59**

(58) **Field of Classification Search**
USPC D28/7, 57, 59, 62; D9/690-692,
D9/695-696, 723-725, 687-689;
D19/162, 182, 115, 158, 161, 920
CPC A45D 2200/052; A45D 2200/054; A45D
2200/1045; A45D 2200/1063; A45D
2200/25; A45D 34/04-042; A45D 29/12;
A45D 29/11; A45D 29/14; A45D 29/007
See application file for complete search history.

(56) **References Cited**

U.S. PATENT DOCUMENTS

2,268,740	A	1/1942	Cory	
3,341,884	A	9/1967	Pryor	
D216,777	S	3/1970	Nelson	
4,627,758	A *	12/1986	Winthrop A45D 29/007 132/74.5
D328,654	S *	8/1992	Mizobata D28/59
5,470,162	A *	11/1995	Rubin B43K 5/005 15/443
5,762,077	A *	6/1998	Griffiths, Jr. A45D 29/007 132/318
5,887,753	A	3/1999	Poolman	
6,004,055	A *	12/1999	Cheng A45D 34/06 132/74.5
6,328,040	B1	12/2001	Stein	

D461,596	S *	8/2002	Angeletta D28/7
D473,793	S	4/2003	Paster	
D499,207	S *	11/2004	Angeletta D28/7
D514,939	S	2/2006	Miozzo et al.	
D544,350	S	6/2007	Mettler et al.	
D580,598	S	11/2008	Yamada et al.	
D581,280	S	11/2008	Oates	
D657,252	S	4/2012	Crapser et al.	

(Continued)

FOREIGN PATENT DOCUMENTS

EP		1384416	A1 *	1/2004	A45D 29/007
KR		20-0367470	Y1	11/2004		

(Continued)

Primary Examiner — Jennifer Rivard

(74) *Attorney, Agent, or Firm* — Knobbe, Martens, Olson & Bear, LLP

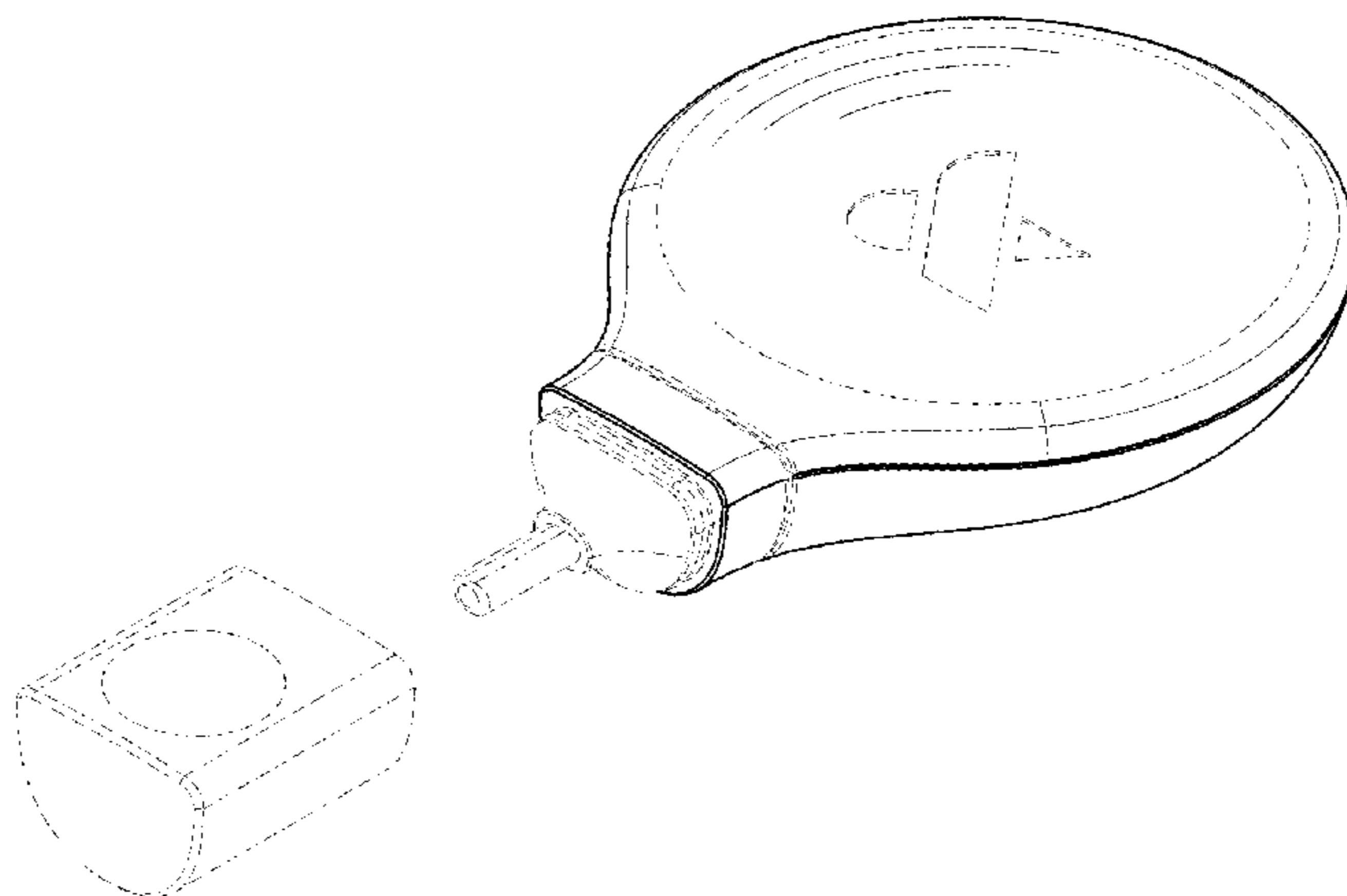
(57) **CLAIM**

The ornamental design for a handle for nail polish applicator, as shown and described.

DESCRIPTION

FIG. 1 is a perspective top view of a handle for nail polish applicator embodying the new design;
FIG. 2 is a front view thereof;
FIG. 3 is a rear view thereof;
FIG. 4 is a right-side view thereof;
FIG. 5 is a left-side view thereof;
FIG. 6 is a top view thereof;
FIG. 7 is a bottom thereof; and,
FIG. 8 is a perspective exploded view thereof showing the cap removed from the rest of the handle for nail polish applicator.
Broken lines are used to illustrate portions of the handle for nail polish applicator that form no part of the claimed design.

1 Claim, 8 Drawing Sheets



(56)

References Cited

U.S. PATENT DOCUMENTS

D708,065 S 7/2014 Pourian
D735,406 S * 7/2015 Poletto D28/7
D752,987 S 4/2016 Dyer et al.
9,763,508 B2 * 9/2017 Reishus A45D 34/04
D803,063 S * 11/2017 Matuszczak D9/522
D812,809 S * 3/2018 Nicoline D28/7
D827,442 S 9/2018 Stone et al.
10,092,077 B1 * 10/2018 Tuttle A45D 29/12
D841,234 S * 2/2019 Laaly D28/7
2004/0071493 A1 4/2004 Hendrix-Stavropoulos
2012/0048290 A1 3/2012 Cappello
2014/0373860 A1 * 12/2014 Hwang A45D 29/04
132/75
2015/0100002 A1 * 4/2015 Choi A61N 7/00
601/2
2015/0110542 A1 4/2015 Lee
2017/0303658 A1 * 10/2017 Becker A45D 29/007

FOREIGN PATENT DOCUMENTS

KR 10-2005-0031897 A 4/2005
WO WO 01-01813 A1 1/2001
WO WO 03-003873 A1 1/2003
WO WO 2004-062422 A1 7/2004
WO WO-2018005504 A1 * 1/2018 A46B 5/0008

* cited by examiner

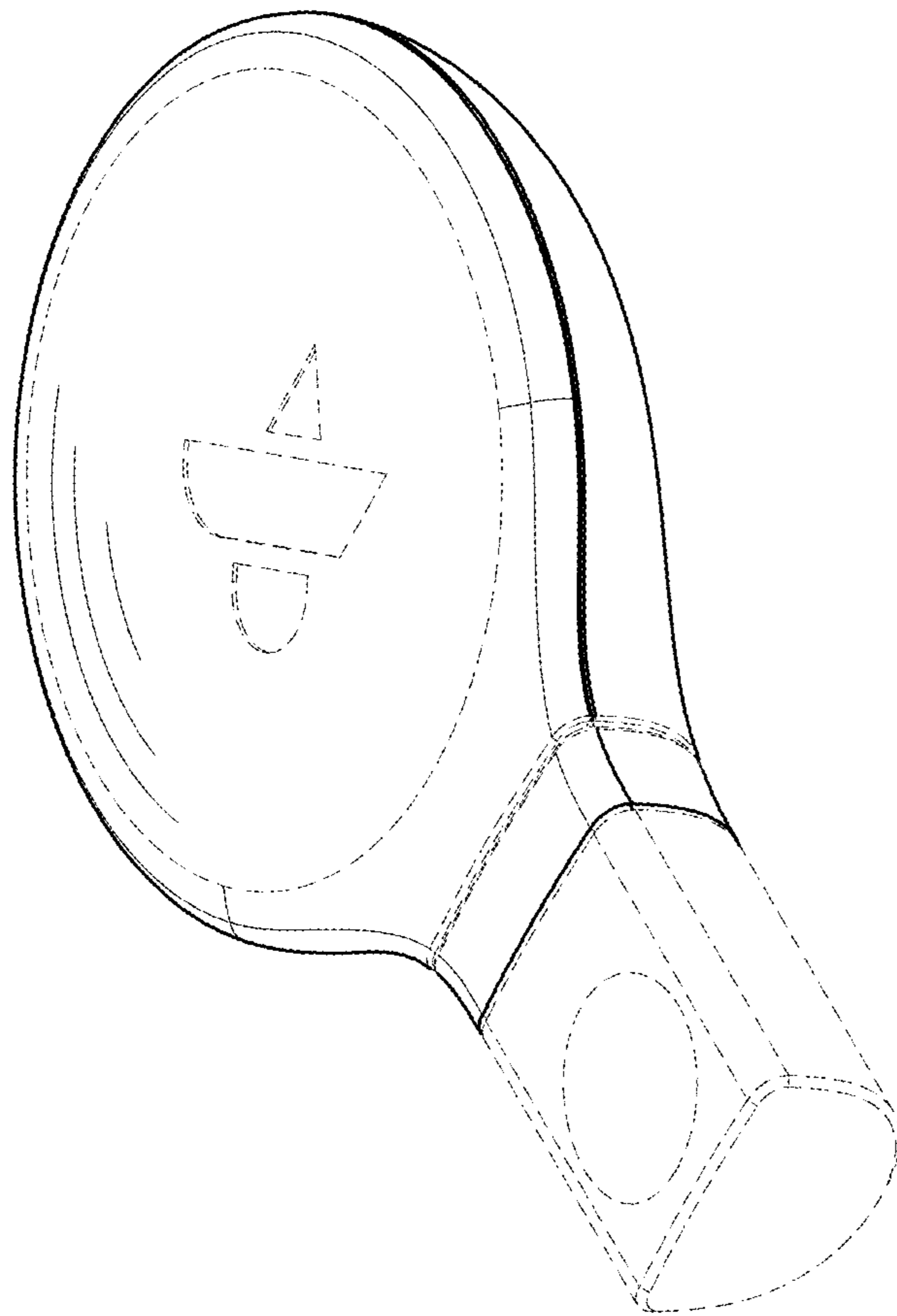


FIG. 1

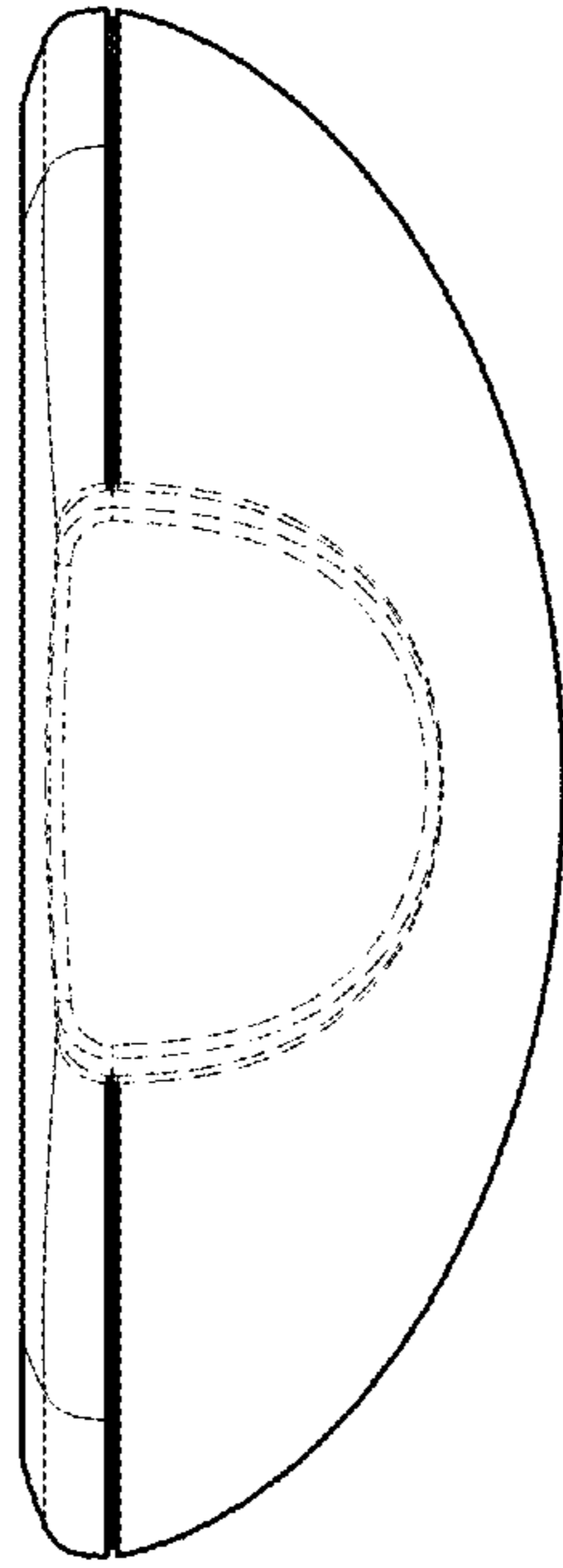


FIG. 2

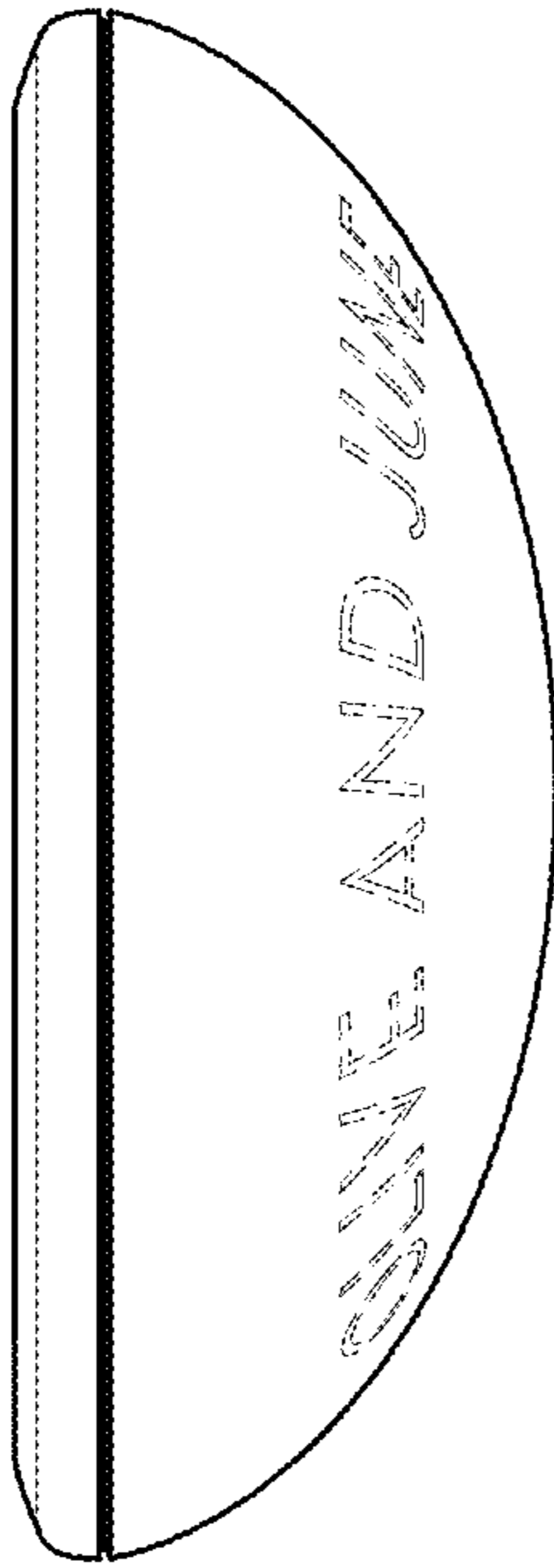


FIG. 3

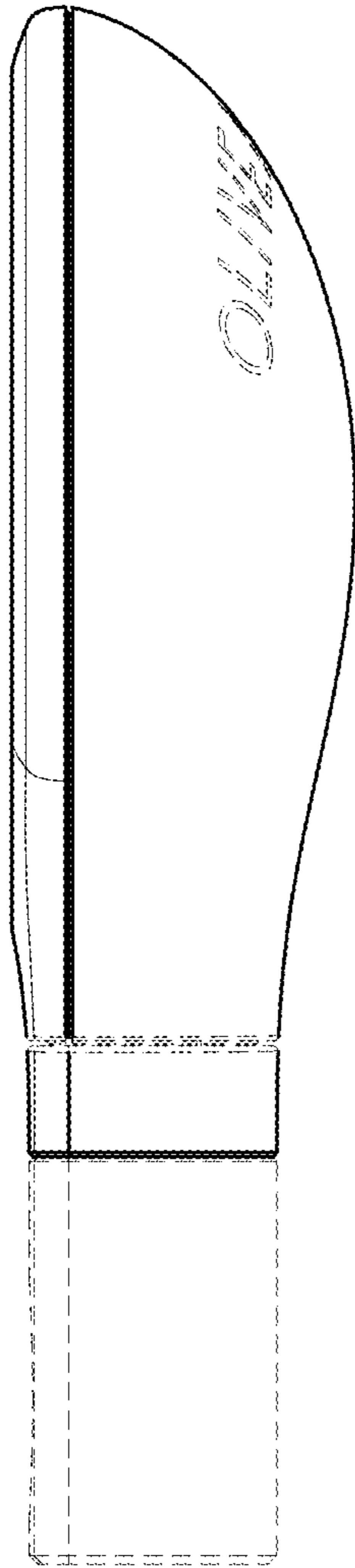


FIG. 4

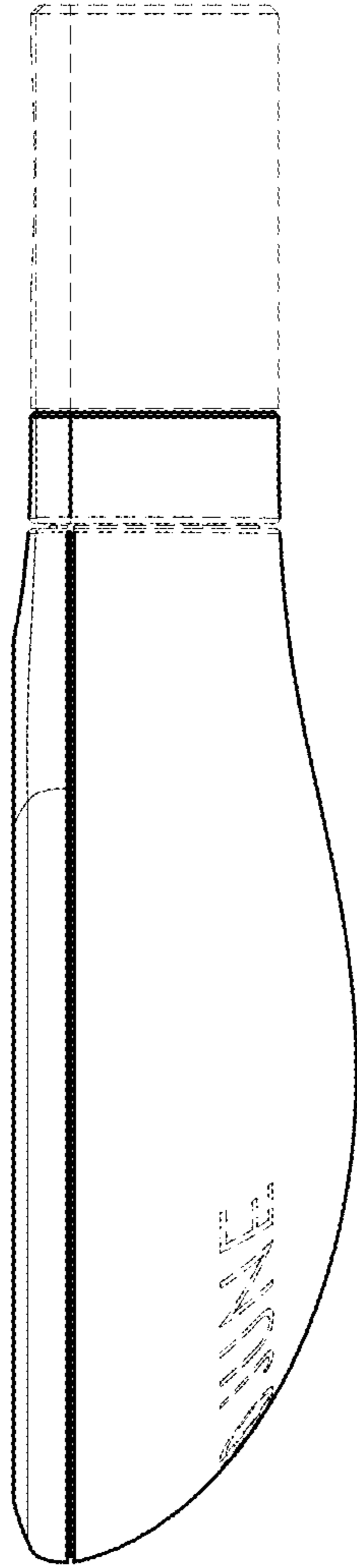


FIG. 5

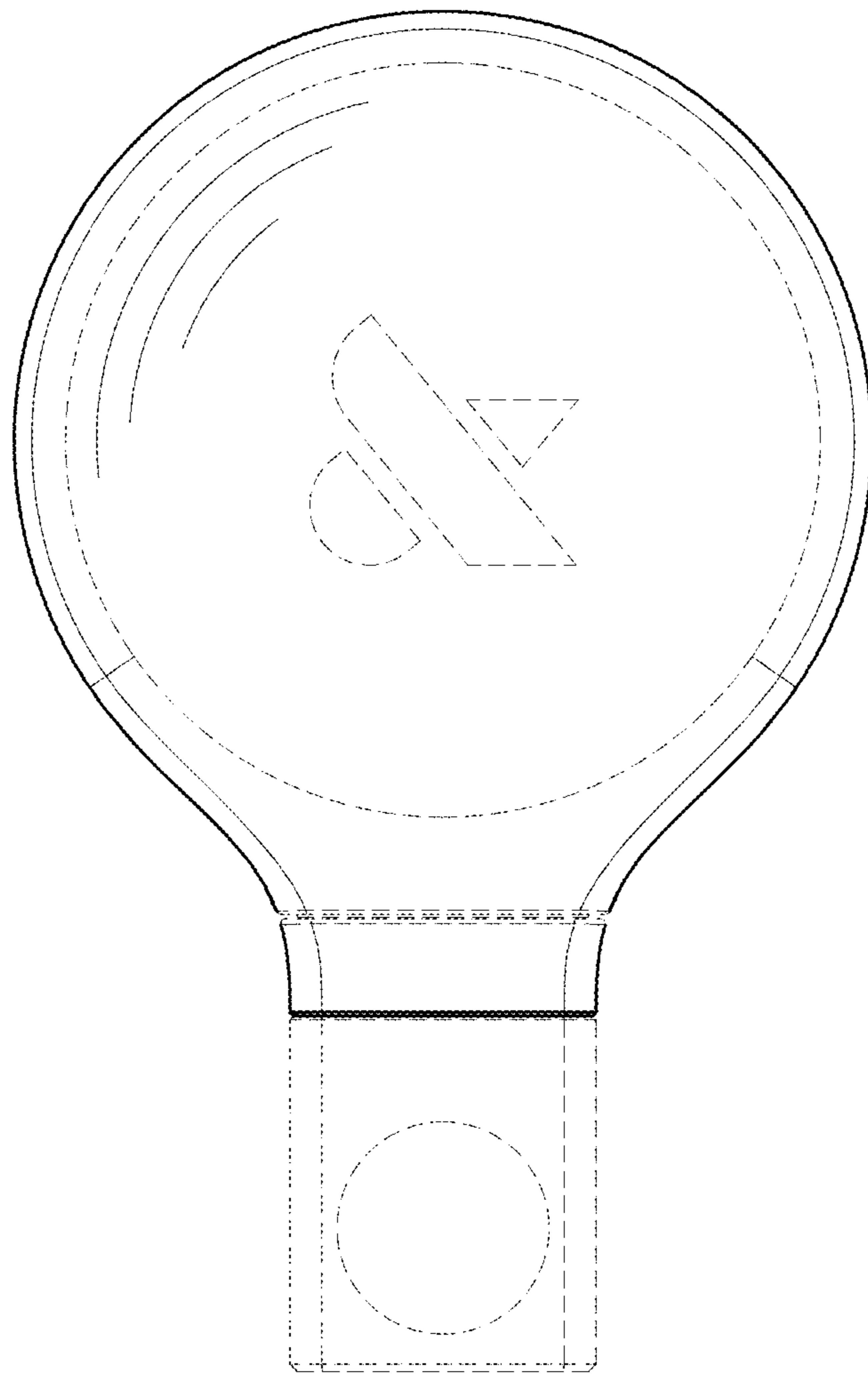


FIG. 6

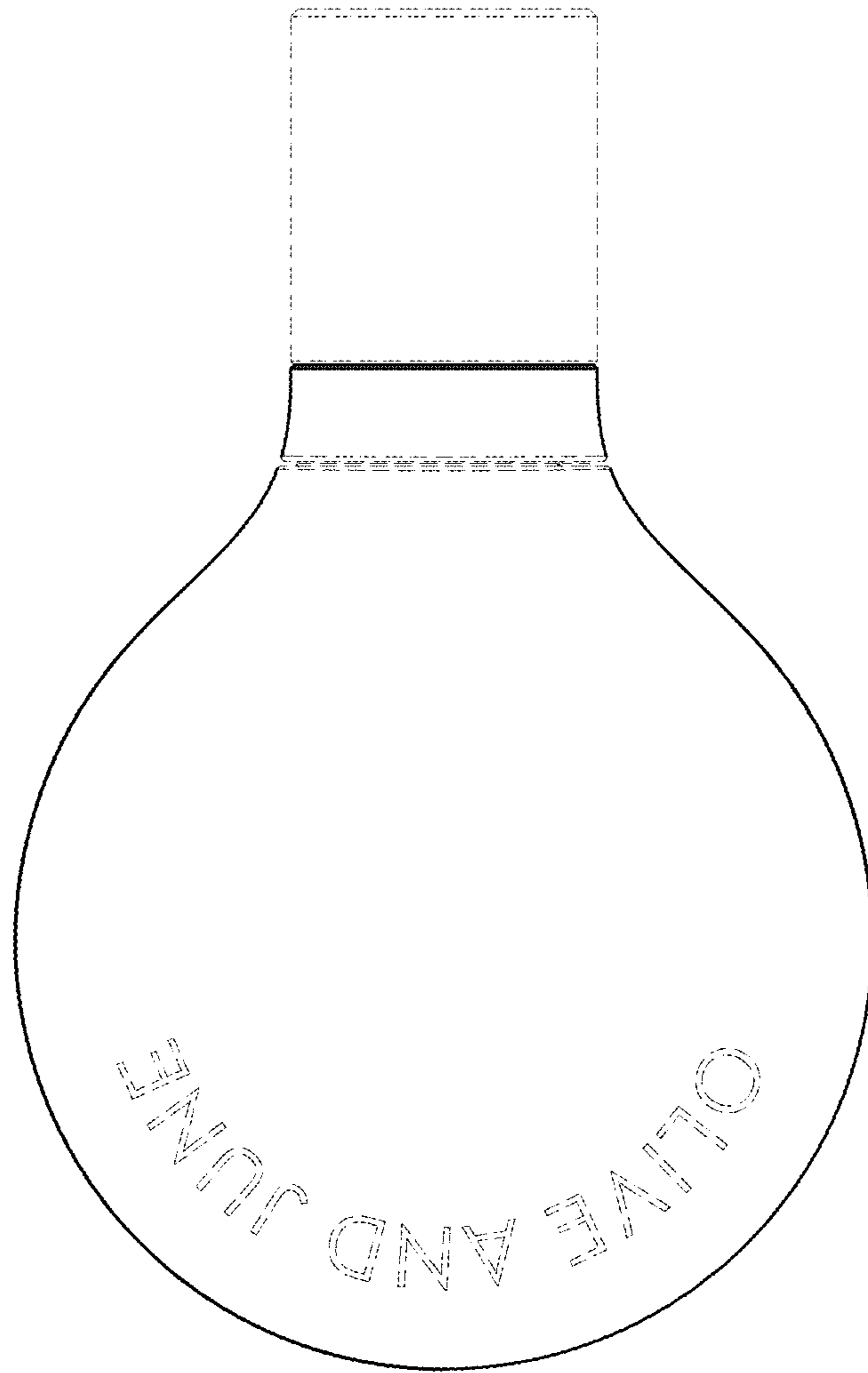


FIG. 7

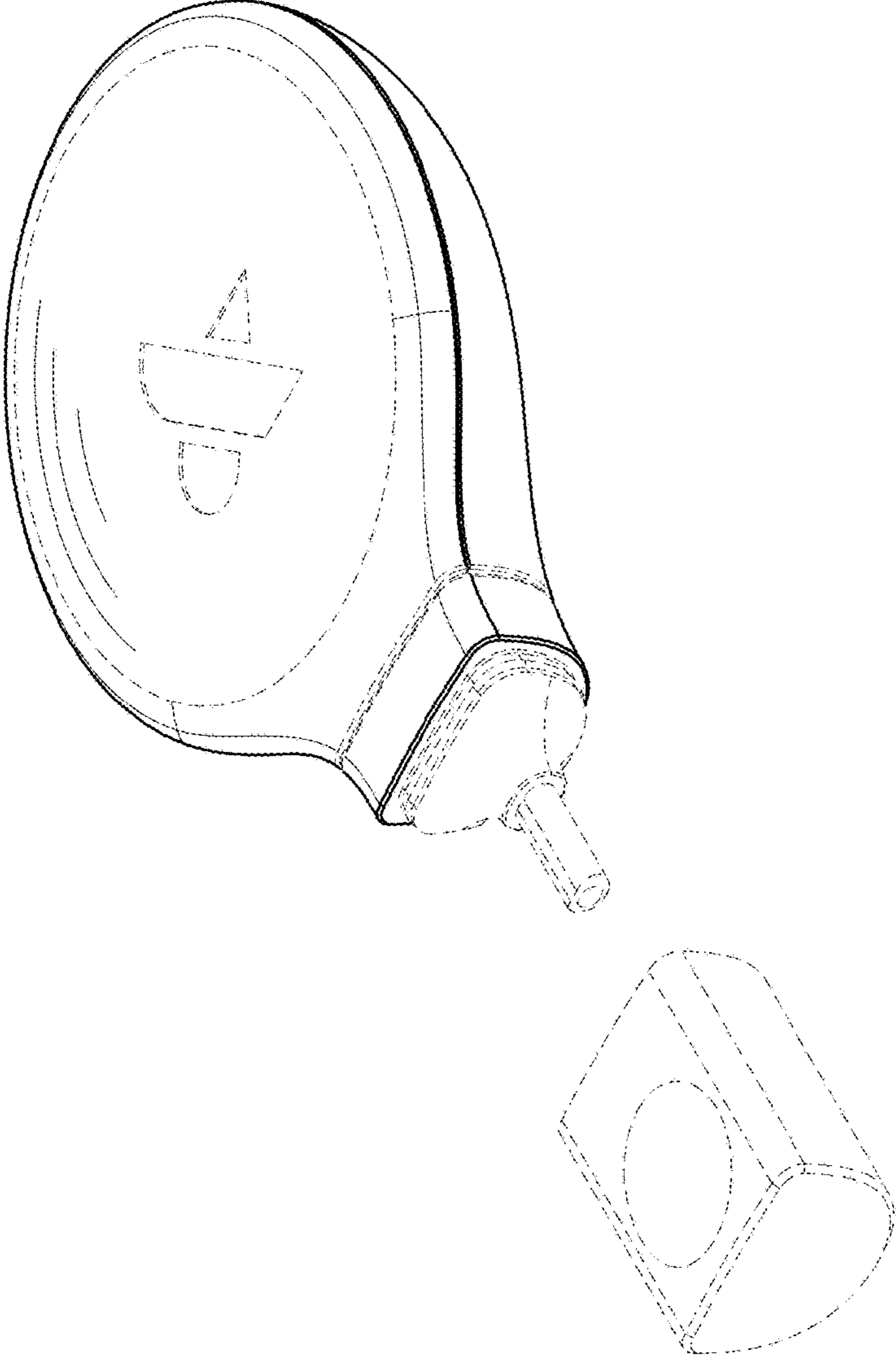


FIG. 8