



US00D854241S

(12) **United States Design Patent**
Star

(10) **Patent No.:** **US D854,241 S**

(45) **Date of Patent:** **** Jul. 16, 2019**

(54) **APPLICATOR**

(71) Applicant: **JEFFREE STAR COSMETICS, INC.**,
Chatsworth, CA (US)

(72) Inventor: **Jeffree Star**, Chatsworth, CA (US)

(73) Assignee: **Jeffree Star Cosmetics, INC.**,
Chatsworth, CA (US)

(**) Term: **15 Years**

(21) Appl. No.: **29/646,084**

(22) Filed: **May 1, 2018**

(51) **LOC (11) Cl.** **28-03**

(52) **U.S. Cl.**
USPC **D28/7**

(58) **Field of Classification Search**
USPC D28/7, 9, 8, 43, 76, 85, 99; D8/30;
D9/723, 724, 725, 523, 516; 15/423,
15/424, 435, 437, 443-446; 132/317, 318
CPC A45D 2200/10; A45D 2200/1018; A45D
2200/1036; A61M 35/00; A61M 35/003;
A61M 17/00491; B05C 17/00
See application file for complete search history.

(56) **References Cited**

U.S. PATENT DOCUMENTS

D364,923 S * 12/1995 Chou D24/144
D622,000 S * 8/2010 Kluge D24/146
D634,478 S * 3/2011 Kolas D28/77
D651,921 S * 1/2012 Probst D9/453
D673,058 S * 12/2012 Park D9/529

D686,509 S * 7/2013 Ashiwa D9/688
D690,363 S * 9/2013 Yamanaka D19/200
D717,995 S * 11/2014 Thompson A45D 34/04
D28/7
D726,553 S * 4/2015 Koptis D9/724
D734,539 S * 7/2015 Yeo D28/7
D797,371 S * 9/2017 Stadlbauer D28/7
D808,822 S * 1/2018 Villarreal D9/724
D812,294 S * 3/2018 Wilson D28/7
D816,897 S * 5/2018 Corsi D28/7
D822,899 S * 7/2018 Corsi D28/7
D834,950 S * 12/2018 Aboabdo D9/724

* cited by examiner

Primary Examiner — Janice Hallmark

Assistant Examiner — Rebecca Tsehaye

(74) *Attorney, Agent, or Firm* — Millen, White, Zelano &
Branigan, P.C.; William Nixon

(57) **CLAIM**

The ornamental design for an applicator, as shown and described.

DESCRIPTION

FIG. 1 illustrates a front perspective view of the applicator having the claimed design;

FIG. 2 illustrates a side elevational view thereof;

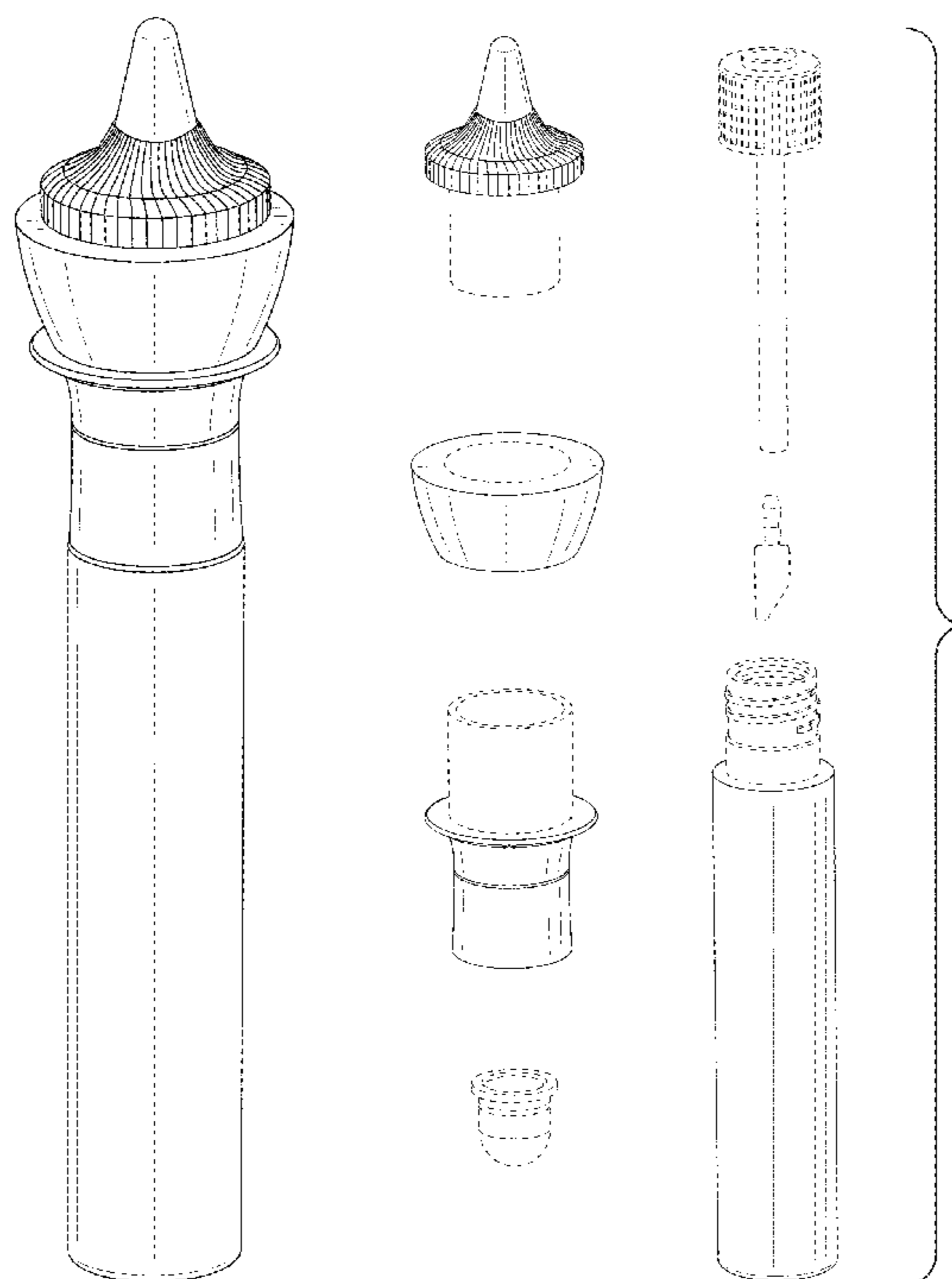
FIG. 3 illustrates a top plan view thereof;

FIG. 4 illustrates a bottom plan view thereof; and,

FIG. 5 illustrates an exploded view of the applicator having the claimed design.

The broken lines shown throughout the views depict unclaimed portions of the design and form no part of the claimed design.

1 Claim, 5 Drawing Sheets



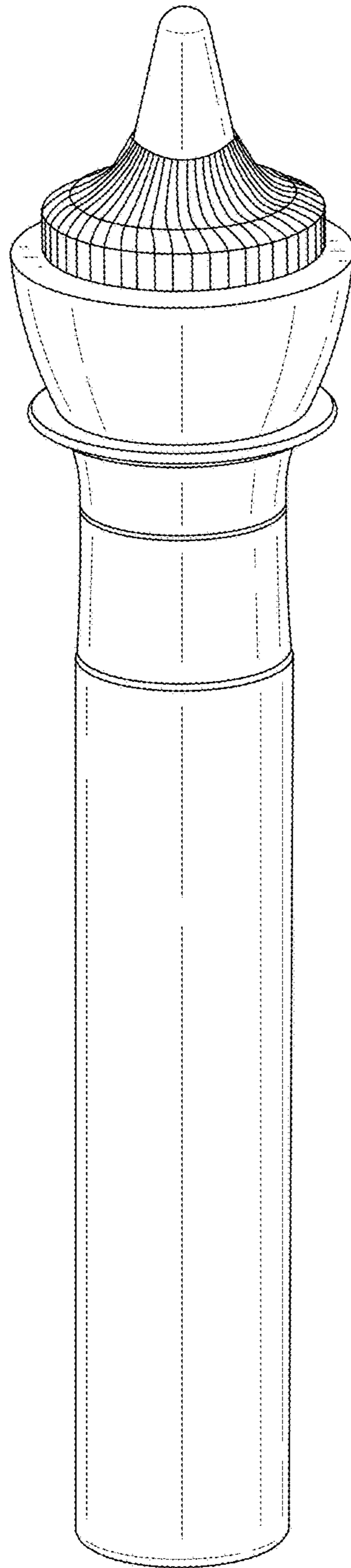


FIG. 1

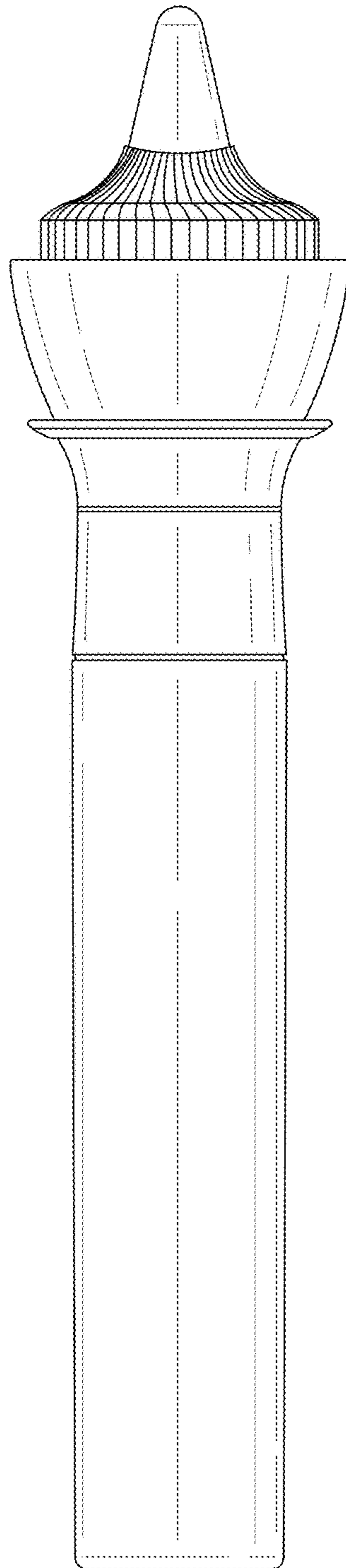


FIG. 2

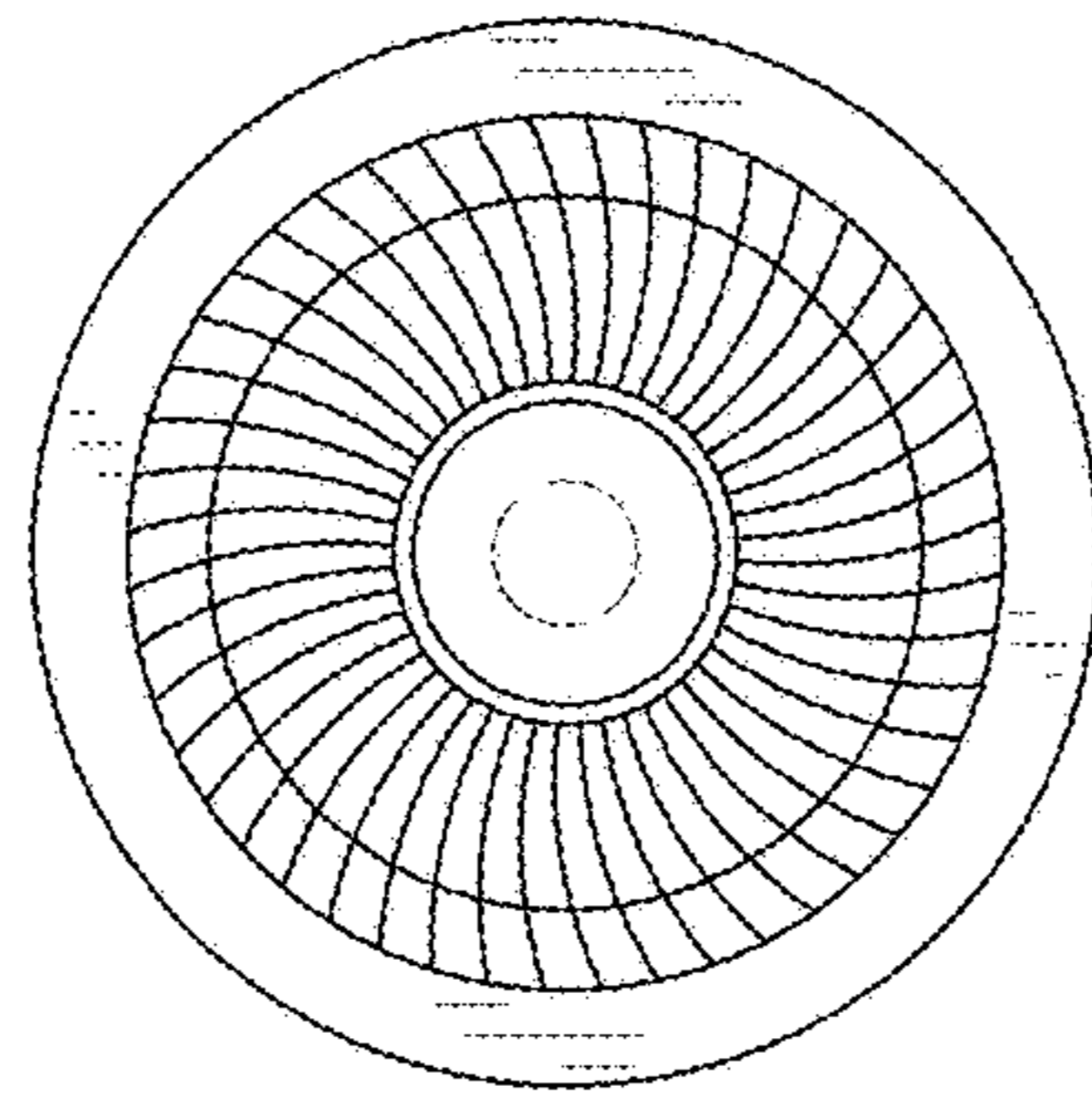


FIG. 3

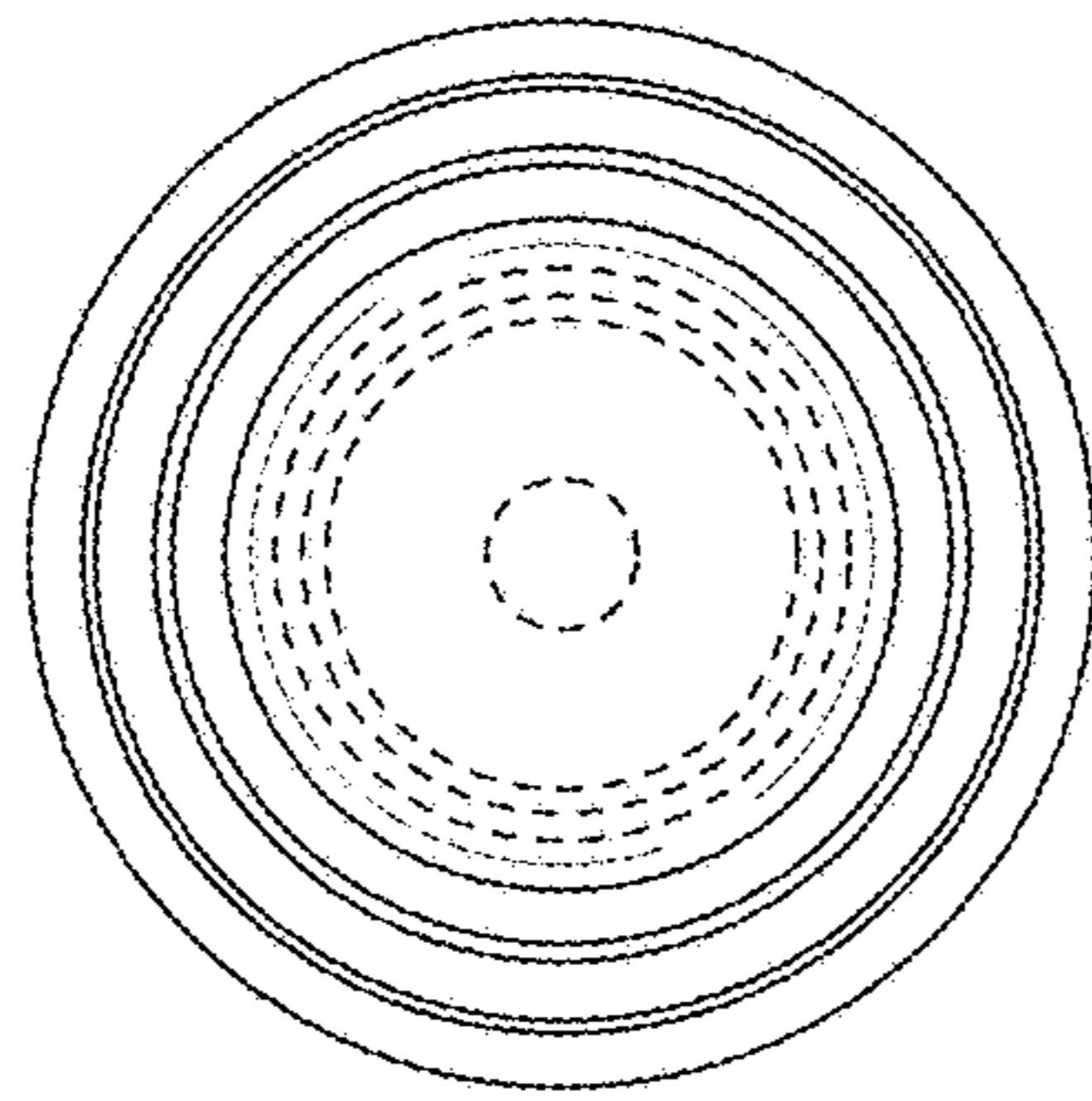


FIG. 4

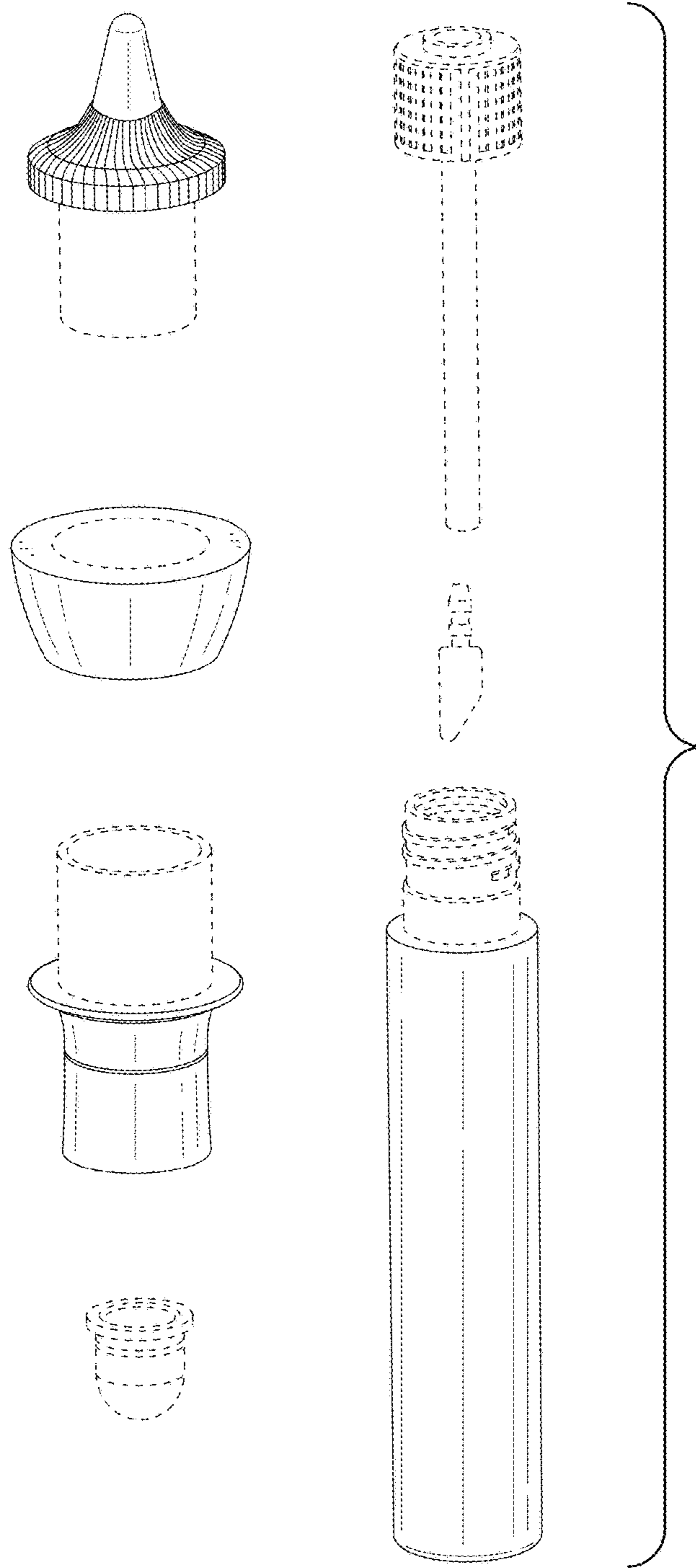


FIG. 5