



US00D854238S

(12) **United States Design Patent** (10) **Patent No.:** **US D854,238 S**  
**Gould** (45) **Date of Patent:** **\*\* Jul. 16, 2019**

(54) **COVER FOR A VAPORIZER DEVICE**

(71) Applicant: **PAX Labs, Inc.**, San Francisco, CA (US)

(72) Inventor: **Alexander J. Gould**, San Francisco, CA (US)

(73) Assignee: **Pax Labs, Inc.**, San Francisco, CA (US)

(\*\*) Term: **15 Years**

(21) Appl. No.: **29/572,802**

(22) Filed: **Jul. 29, 2016**

(51) **LOC (11) Cl.** ..... **27-99**

(52) **U.S. Cl.**  
USPC ..... **D27/194**

(58) **Field of Classification Search**  
USPC ..... D27/100–196; D24/108, 110, 110.5  
CPC ..... A24F 1/00; A24F 1/02; A24F 1/04; A24F 1/06; A24F 1/08; A24F 1/10; A24F 1/12; A24F 1/14; A24F 1/26; A24F 1/28; A24F 7/00; A24F 7/02; A24F 7/04; A24F 9/00; A24F 9/16

See application file for complete search history.

(56) **References Cited**

**U.S. PATENT DOCUMENTS**

2,956,569	A *	10/1960	Adams	.....	A24F 13/02 131/187
D194,088	S *	11/1962	Mann	.....	D27/170
D301,837	S	6/1989	Peterson et al.		
D302,659	S	8/1989	Peterson et al.		
D303,722	S	9/1989	Marlow et al.		
D310,171	S	8/1990	Cusenza		
D336,346	S	6/1993	Miller et al.		
D367,605	S	3/1996	Moore		

(Continued)

**OTHER PUBLICATIONS**

Cover for a Vaporizer Device | Pax 3 Vaporizer | Liwts, posted date n/a, (c) 2014-2017 liwts.com, [online], [site visited Aug. 30, 2017] Available at <https://www.liwts.org/product/pax-3-vaporizer/>.\*

(Continued)

*Primary Examiner* — Brandon M Rosati

*Assistant Examiner* — Marissa J Cash

(74) *Attorney, Agent, or Firm* — Mintz Levin Cohn Ferris Glovsky and Popeo, P.C.

(57) **CLAIM**

The ornamental design for a cover for a vaporizer device, as shown and described.

**DESCRIPTION**

FIG. 1 is a top isometric view of a first embodiment of a cover for a vaporizer device, in accordance with the present invention;

FIG. 2 is a bottom isometric view thereof;

FIG. 3 is a front view thereof; the back view thereof is identical to the front view, and is therefore omitted;

FIG. 4 is a right side view thereof; the left side view thereof is identical to the right side view and is therefore omitted;

FIG. 5 is a top view thereof; and

FIG. 6 is a bottom view thereof.

FIG. 7 is a top isometric view of a second embodiment of a cover for a vaporizer device.

FIG. 8 is a bottom isometric view thereof;

FIG. 9 is a front view thereof; the back view thereof is identical to the front view, and is therefore omitted;

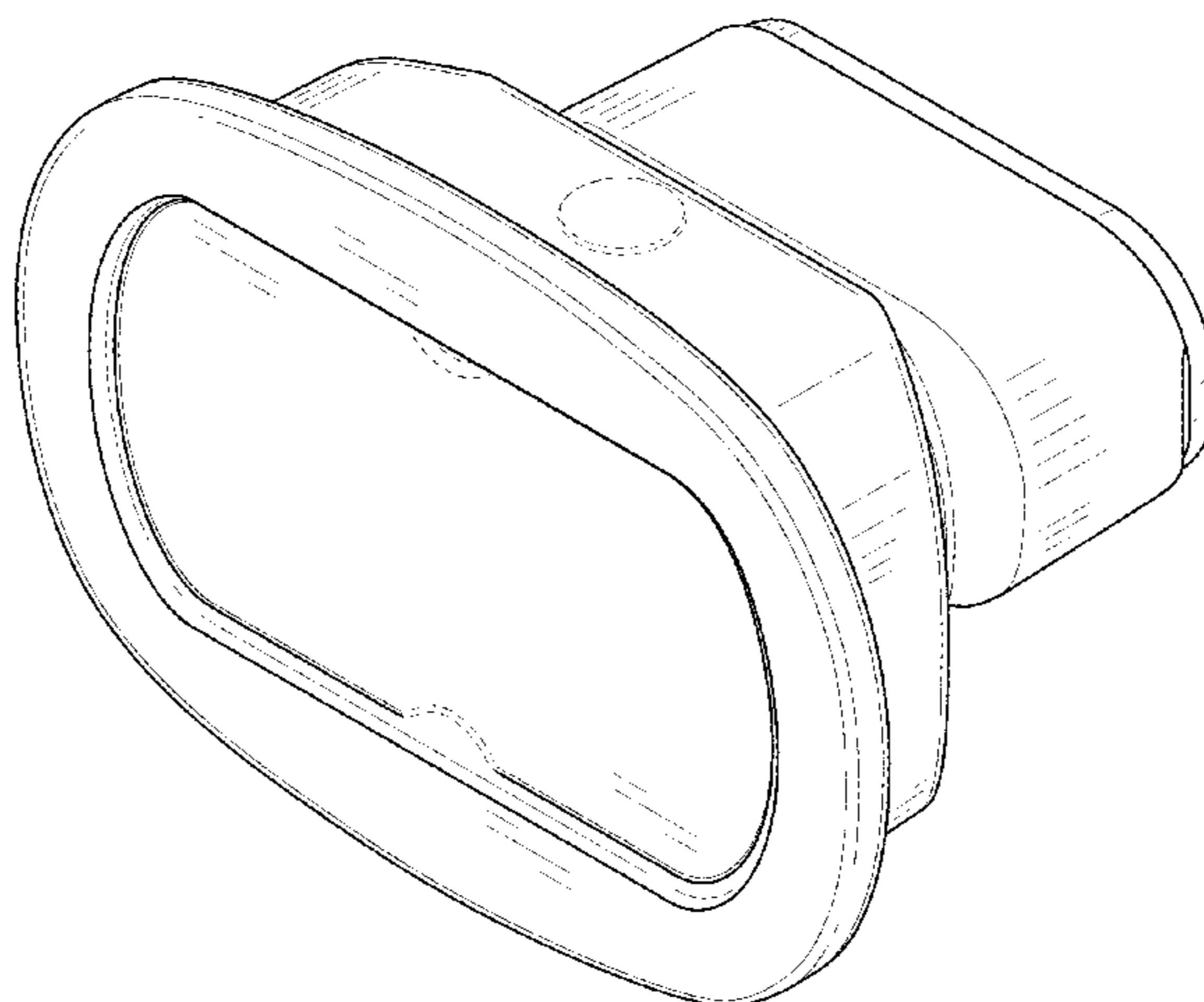
FIG. 10 is a right side view thereof; the left side view thereof is identical to the right side view, and is therefore omitted;

FIG. 11 is a top view thereof; and,

FIG. 12 is a bottom view thereof.

The broken lines depict parts of the cover for a vaporizer device that form no part of the claimed design.

**1 Claim, 12 Drawing Sheets**





(56)

References Cited

U.S. PATENT DOCUMENTS

D368,552 S 4/1996 Adams  
 D371,633 S 7/1996 Chenard  
 5,545,904 A 8/1996 Orbach  
 D379,810 S 6/1997 Giordano et al.  
 D382,146 S 8/1997 Sandy  
 D397,504 S 8/1998 Zelenik  
 D398,150 S 9/1998 Vonarburg  
 D411,332 S 6/1999 Zelenik  
 D412,279 S 7/1999 Brice  
 D422,884 S 4/2000 Lafond  
 D424,236 S 5/2000 Reed  
 D424,739 S \* 5/2000 Ross ..... D27/170  
 D433,532 S 11/2000 Higgins et al.  
 D485,639 S 1/2004 Stronski  
 D540,687 S 4/2007 Egawa  
 D545,904 S 7/2007 Chen et al.  
 D557,209 S 12/2007 Ahlgren et al.  
 D558,060 S 12/2007 Sir  
 D562,151 S 2/2008 Larocca et al.  
 D569,727 S 5/2008 Moretti  
 D571,556 S 6/2008 Raile  
 D573,474 S 7/2008 Beam et al.  
 D577,150 S 9/2008 Bryman et al.  
 D577,591 S 9/2008 Bouroullec et al.  
 D588,741 S \* 3/2009 Murdaugh, III ..... D27/169  
 D599,670 S 9/2009 Qin  
 D611,409 S 3/2010 Green et al.  
 D616,753 S 6/2010 Beam et al.  
 D634,065 S \* 3/2011 Borushek ..... D27/170  
 7,905,236 B2 3/2011 Bryman et al.  
 D645,817 S 9/2011 Sasada et al.  
 D647,247 S 10/2011 Jones  
 D649,708 S 11/2011 Oneil  
 D649,932 S 12/2011 Symons  
 D661,991 S 6/2012 Brummelhuis et al.  
 D664,636 S 7/2012 Robinson et al.  
 D670,272 S 11/2012 Suzuki  
 D674,748 S 1/2013 Ferber et al.  
 D682,698 S 5/2013 Young  
 D684,683 S 6/2013 Curti et al.  
 D686,987 S 7/2013 Vanstone et al.  
 D700,572 S 3/2014 Esses  
 D704,629 S 5/2014 Liu  
 D704,634 S 5/2014 Eidelman et al.  
 D705,918 S 5/2014 Robinson et al.  
 D708,727 S 7/2014 Postma  
 8,881,738 B2 11/2014 Bryman  
 D720,095 S 12/2014 Alima  
 D720,496 S 12/2014 Alima  
 D720,497 S 12/2014 Alima  
 D721,202 S 1/2015 Liu  
 D721,972 S 2/2015 Brewer et al.  
 D725,310 S 3/2015 Eksouzian  
 9,010,335 B1 4/2015 Scatterday  
 D728,855 S 5/2015 Liu  
 D729,444 S 5/2015 Leidel  
 D729,445 S 5/2015 Leidel  
 D730,572 S 5/2015 Leidel  
 D731,114 S 6/2015 Leidel  
 D733,356 S 6/2015 Leidel  
 D738,038 S 9/2015 Smith  
 D739,973 S 9/2015 Chao  
 9,167,849 B2 10/2015 Adamic  
 D742,492 S 11/2015 Robinson et al.  
 D743,099 S 11/2015 Oglesby  
 D744,342 S 12/2015 Blasko et al.  
 D744,419 S 12/2015 Bowen et al.  
 D744,696 S \* 12/2015 Malhi ..... D27/169  
 D752,281 S \* 3/2016 Alima ..... D27/167  
 D754,917 S \* 4/2016 Salem ..... D27/163  
 D757,352 S 5/2016 Bagai  
 D757,353 S 5/2016 Nunnely et al.  
 D757,357 S \* 5/2016 Helfrich ..... D27/167  
 D759,303 S 6/2016 Afridi  
 D762,003 S 7/2016 Lomeli

D763,502 S \* 8/2016 Verleur ..... D27/167  
 D768,920 S 10/2016 Jones et al.  
 2002/0088469 A1 7/2002 Rennecamp  
 2006/0191546 A1 8/2006 Takano et al.  
 2007/0089757 A1 4/2007 Bryman  
 2010/0163063 A1 7/2010 Fernando et al.  
 2013/0042865 A1 2/2013 Monsees et al.  
 2014/0014124 A1 1/2014 Glasberg et al.  
 2014/0107815 A1 4/2014 Lamothe  
 2014/0161301 A1 6/2014 Merenda  
 2014/0178461 A1 6/2014 Rigas  
 2015/0245654 A1 9/2015 Memari et al.  
 2015/0245655 A1 9/2015 Memari et al.  
 2015/0245657 A1 9/2015 Memari et al.  
 2015/0245665 A1 9/2015 Memari et al.  
 2015/0245666 A1 9/2015 Memari et al.  
 2015/0245667 A1 9/2015 Memari et al.  
 2015/0245668 A1 9/2015 Memari et al.  
 2015/0282526 A1 10/2015 Wu  
 2015/0305409 A1 10/2015 Verleur et al.  
 2015/0313283 A1 11/2015 Collett et al.  
 2015/0313287 A1 11/2015 Verleur et al.  
 2015/0320116 A1 11/2015 Bleloch et al.  
 2015/0351455 A1 12/2015 Liu  
 2015/0357608 A1 12/2015 Huang

OTHER PUBLICATIONS

PAX Concentrate Insert by VaporNation dated 2018. found online [Sep. 24, 2018]. <https://www.vapornation.com/pax-3-concentrate-insert.html>.\*

FC Vaporizer Review Forum; Pax Vaporizer by Ploom; retrieved from: <http://fuckcombustion.com/threads/pax-vaporizer-by-ploom.6223/>; p. 2 & 11 (2 pgs.); retrieval/print date: Nov. 16, 2015.

VapeWorld; Original PAX Vaporizers for Portable and Home Use; retrieved from: <http://www.vapeworld.com/pax-vaporizer-by-ploom?gclid=CPCi1PKojskCFU06gQodPr>; 9 pgs.; retrieval/print date: Nov. 13, 2015.

PAX Labs, Inc.; JUUL product information © 2016; retrieved from <https://www.juulvapor.com/shop-juul/>; 6 pgs.; retrieval/print date: Mar. 9, 2016.

Monsees et al.; Design U.S. Appl. No. 29/537,866 entitled “Electronic Vaporization Device”, filed Aug. 28, 2015.

Bowen et al.; Design U.S. Appl. No. 29/499,016 entitled “Electronic Vaporization Device”, filed Aug. 11, 2014.

Bowen et al.; Design U.S. Appl. No. 29/499,018 entitled “Electronic Vaporization Device With Cartridge”, filed Aug. 11, 2014.

Bowen et al.; Design U.S. Appl. No. 29/499,021 entitled “Cartridge for Electronic Vaporization Device”, filed Aug. 11, 2014.

Bowen et al.; Design U.S. Appl. No. 29/542,362 entitled “Electronic Vaporization Device With Cartridge”, filed Oct. 13, 2015.

Lomeli; Design U.S. Appl. No. 29/561,205 entitled “Electronic vaporization device,” filed Apr. 14, 2016.

Leon; Design U.S. Appl. No. 29/568,343 entitled “Vaporization cartridge device,” filed Jun. 16, 2016.

Lomeli; Design U.S. Appl. No. 29/569,097 entitled “Vaporizer tamp,” filed Jun. 23, 2016.

Lomeli; Design U.S. Appl. No. 29/569,109 entitled “Vaporized device charging cable,” filed Jun. 23, 2016.

Lomeli; Design U.S. Appl. No. 29/569,118 entitled “Lid for a vaporizer device,” filed Jun. 23, 2016.

Electronic Vaporization Device / Gizmodo Pax 2 Vaporizer / Gizmodo; posted at Gizmodo.com, posting date Jul. 23, 2015© gizmodo.com, (online); retrived from the internet: (<http://gizmodo.com/pax-2-vaporizer-reviews-its-like-smoking-in-the-future-1718310779>); on Oct. 17, 2016.

Pax by Ploom Vaporizer—YouTube front view; 2minutes 13 secs; 6 pages; retrieved Sep. 8, 2016 from the Internet (<http://www.youtube.com/watch?v=Jm06zW3-cxQ>); Aug. 14, 2013.

Pax by Ploom Vaporizer—YouTube Top Side View; 15 secs; 6 pages; retrieved Sep. 8, 2016 from the internet (<http://www.youtube.com/watch?v=Jm06zW3-cxQ>); Aug. 14, 2013.

(56)

**References Cited**

OTHER PUBLICATIONS

Pax by Ploom Vaporizer—YouTube Bottom View; 4 Mins 18 secs; 6 pages; retrieved Sep. 8, 2016 from the internet (<http://www.youtube.com/watch?v=Jm06zW3-cxQ>); Aug. 14, 2013.

Pax by Ploom Vaporizer—YouTube Back Detail View; 25 secs; 6 pages; retrieved Sep. 8, 2016 from the internet (<http://www.youtube.com/watch?v=Jm06zW3-cxQ>); Aug. 14, 2013.

White et al.; Design U.S. Appl. No. 29/573,632 entitled “Case for a vaporizer cartridge,” filed Aug. 8, 2016.

\* cited by examiner

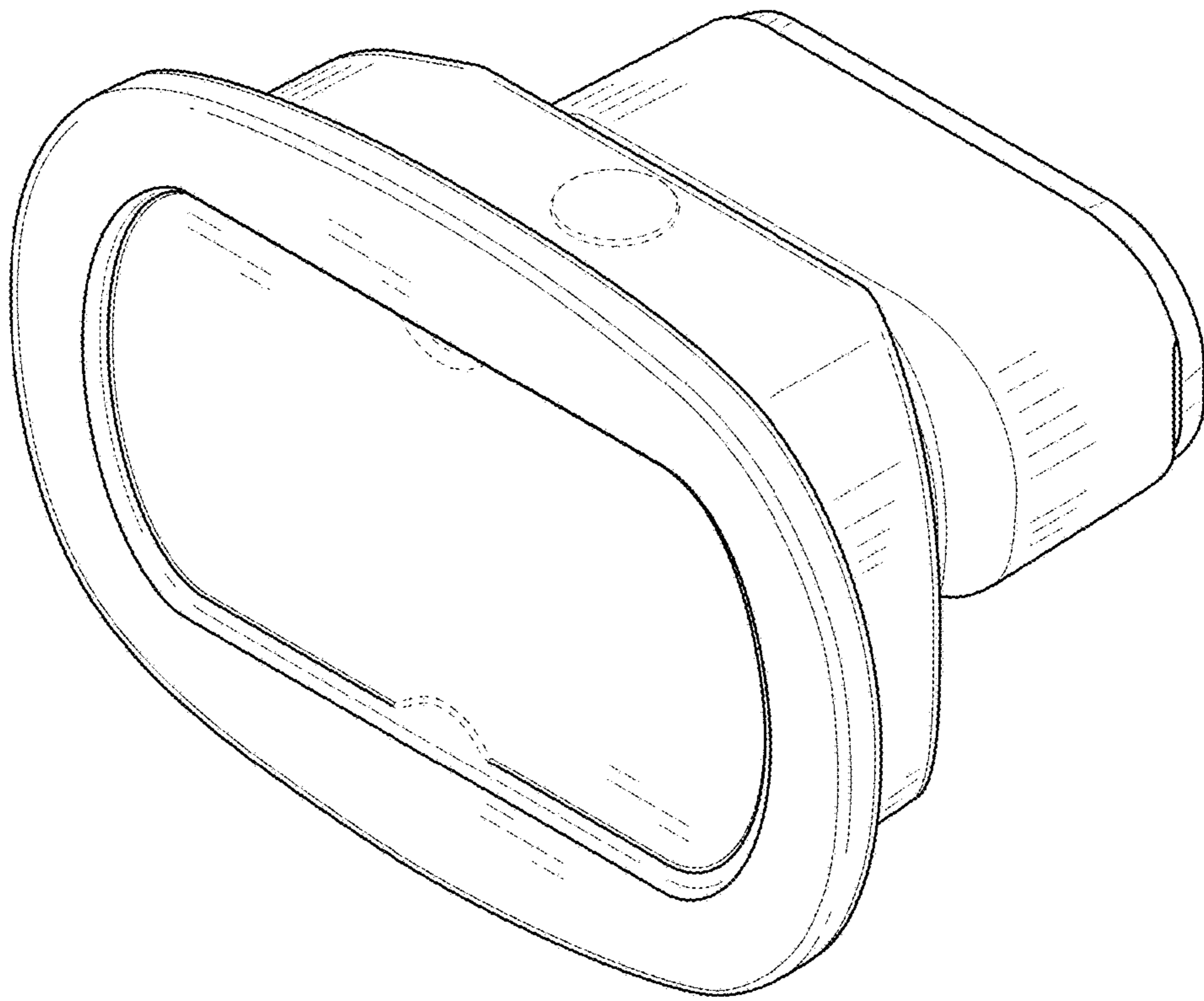


FIG. 1



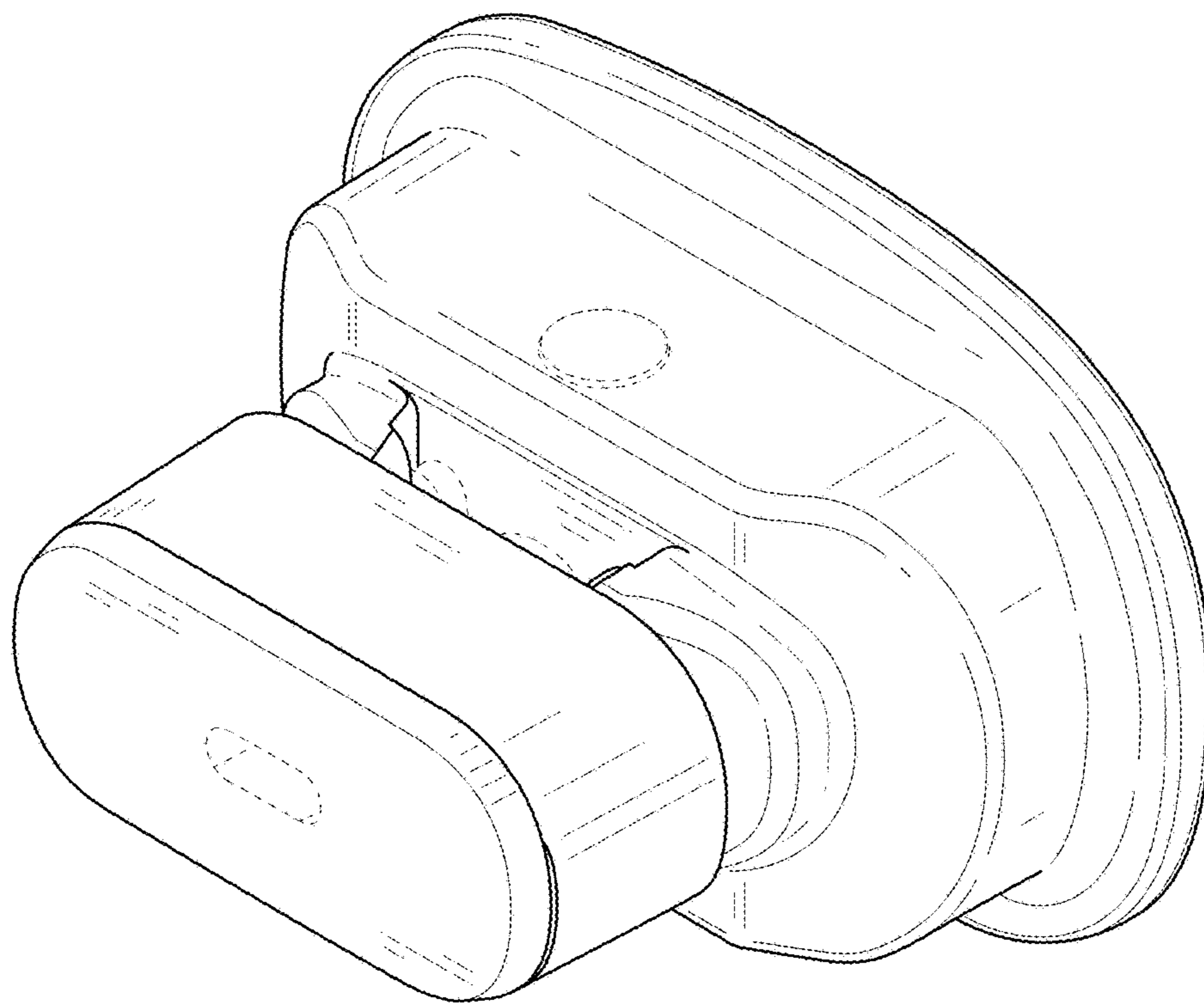


FIG. 2

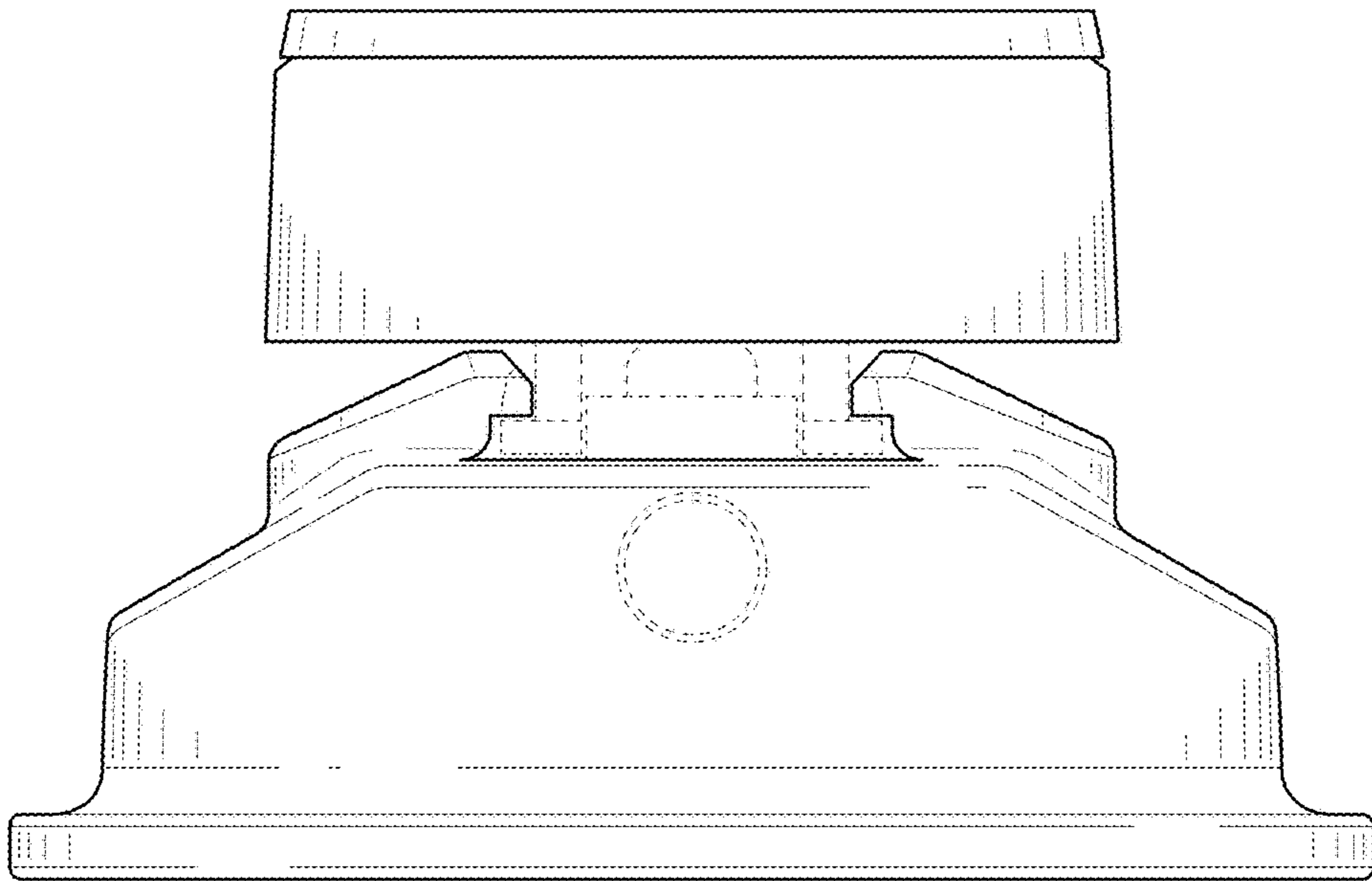


FIG. 3

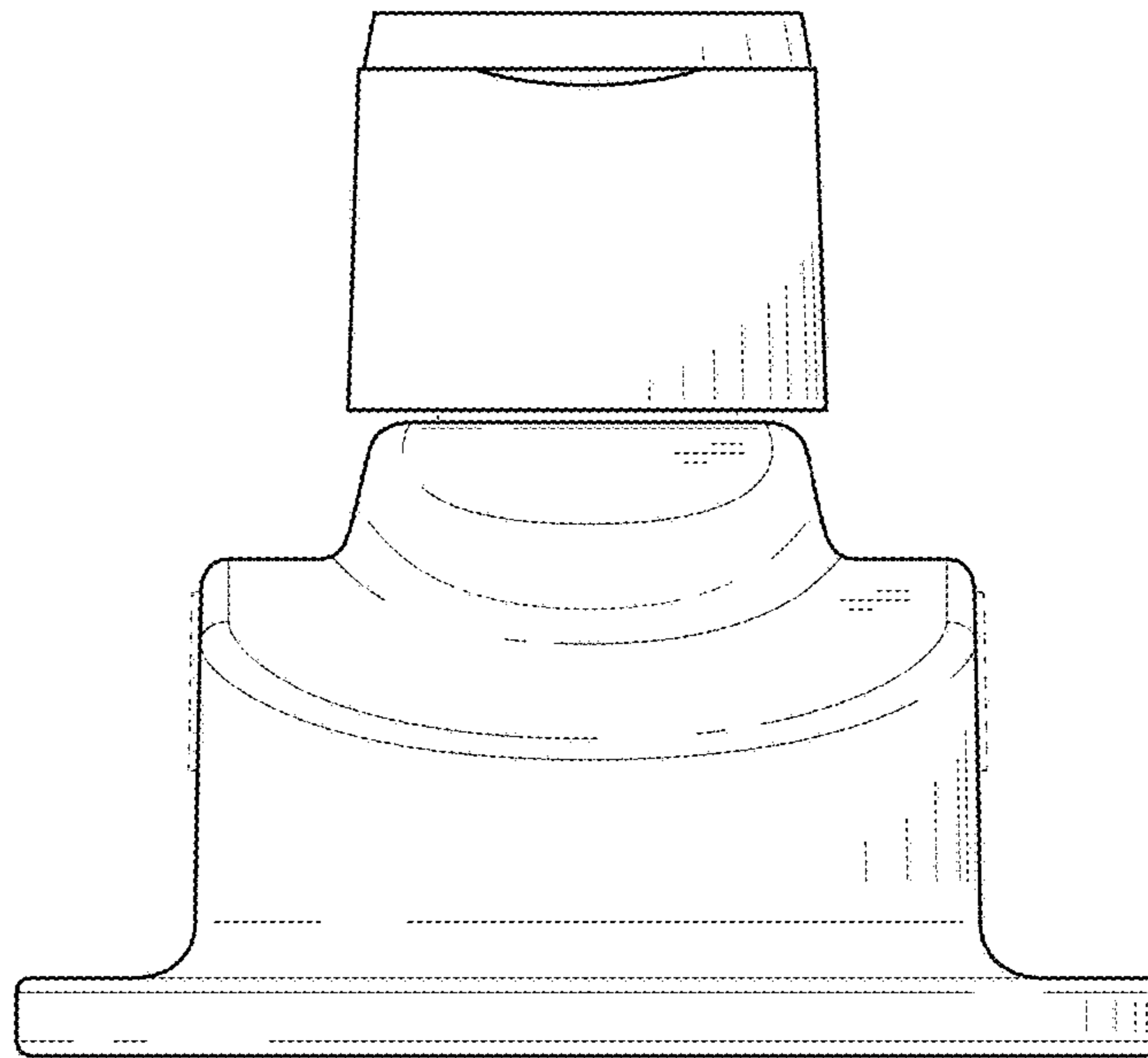


FIG. 4

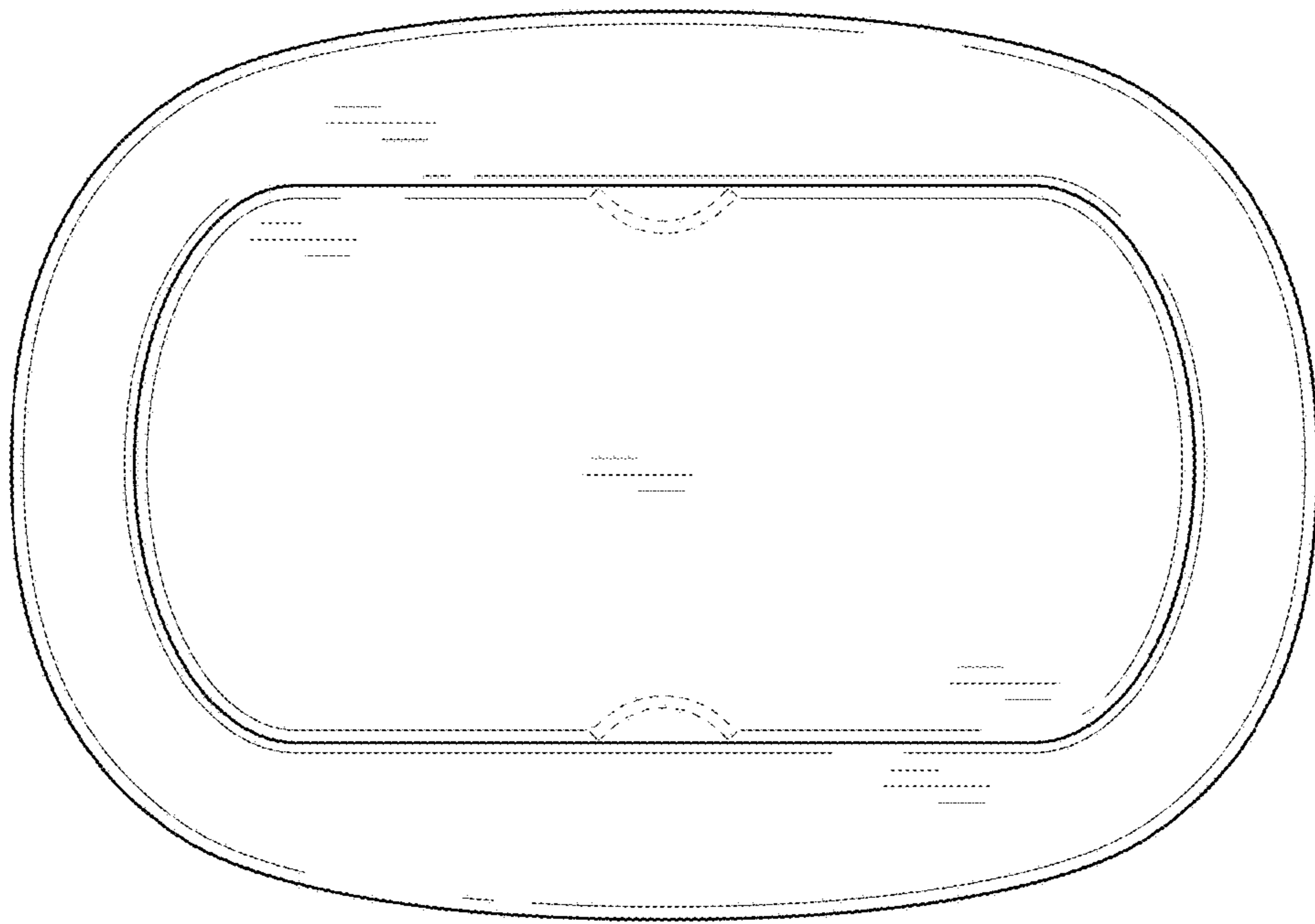


FIG. 5



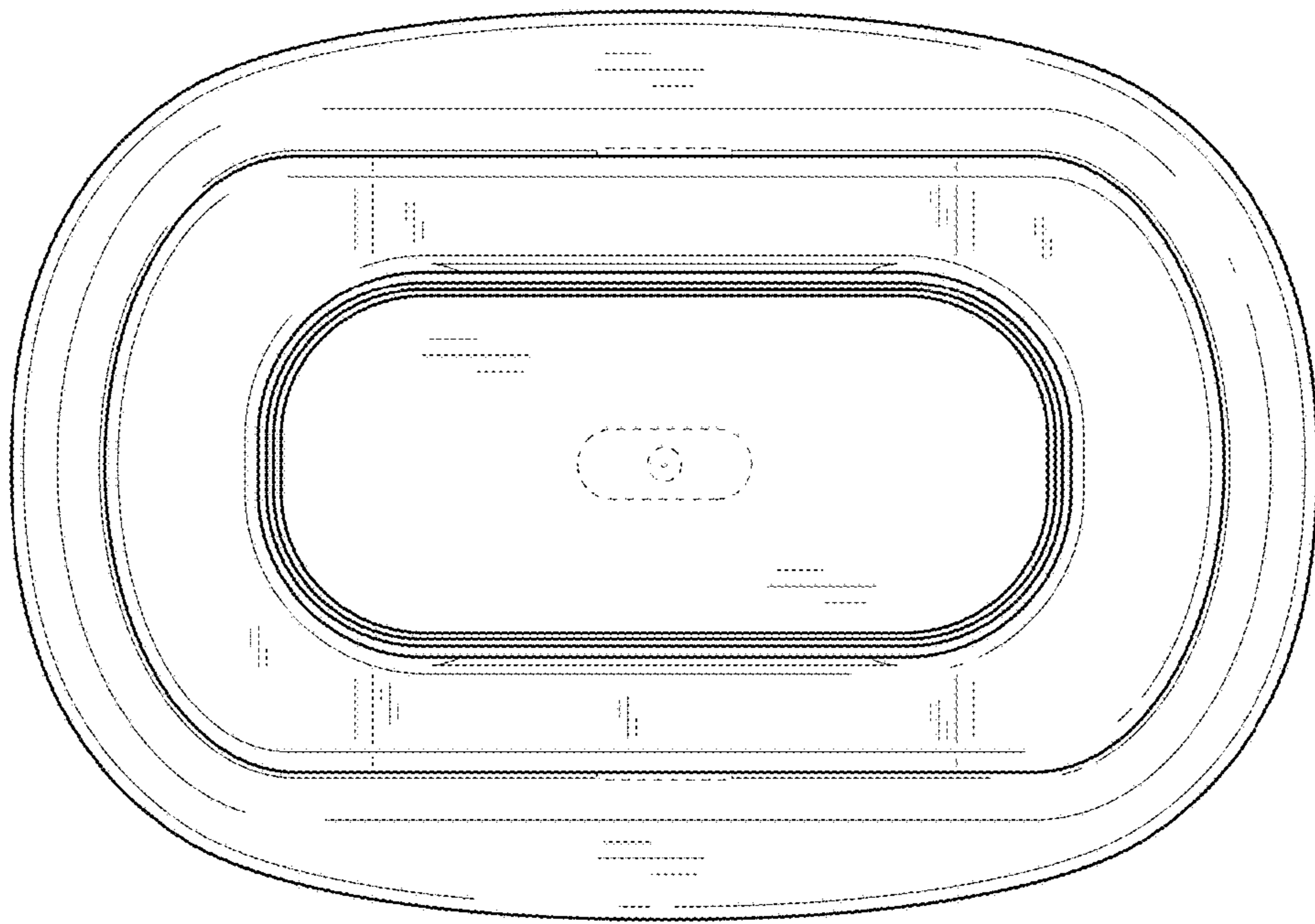


FIG. 6

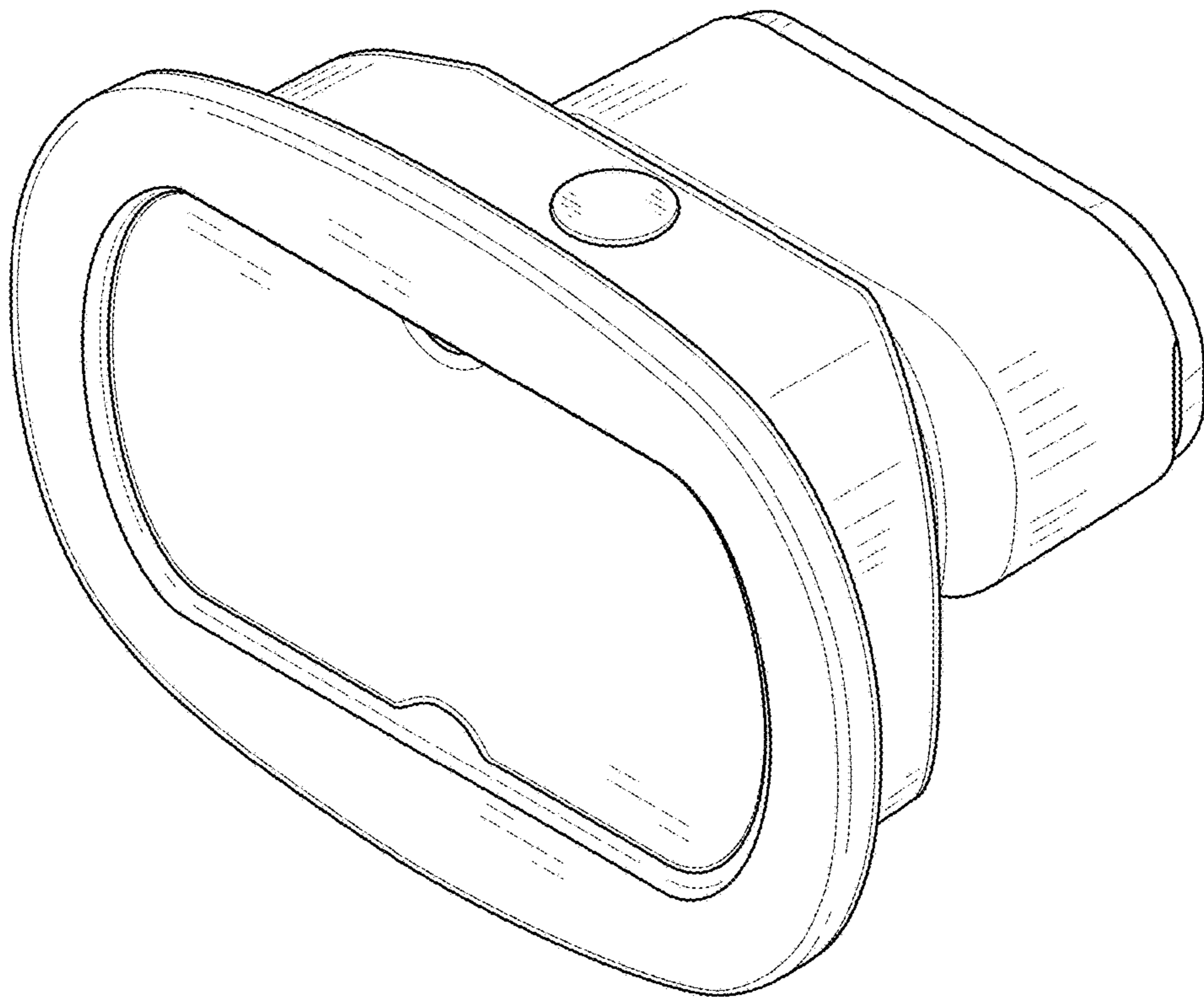


FIG. 7

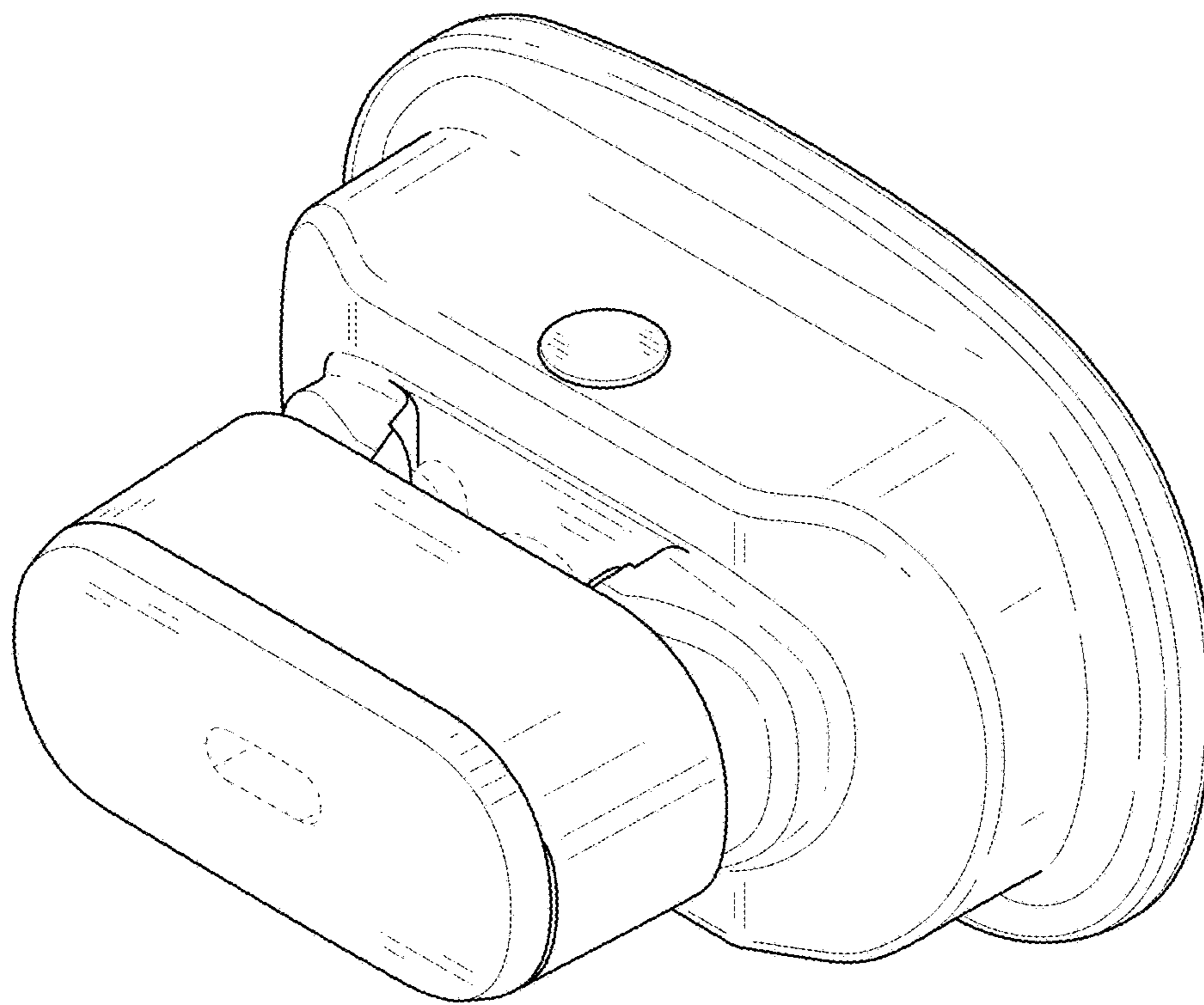


FIG. 8

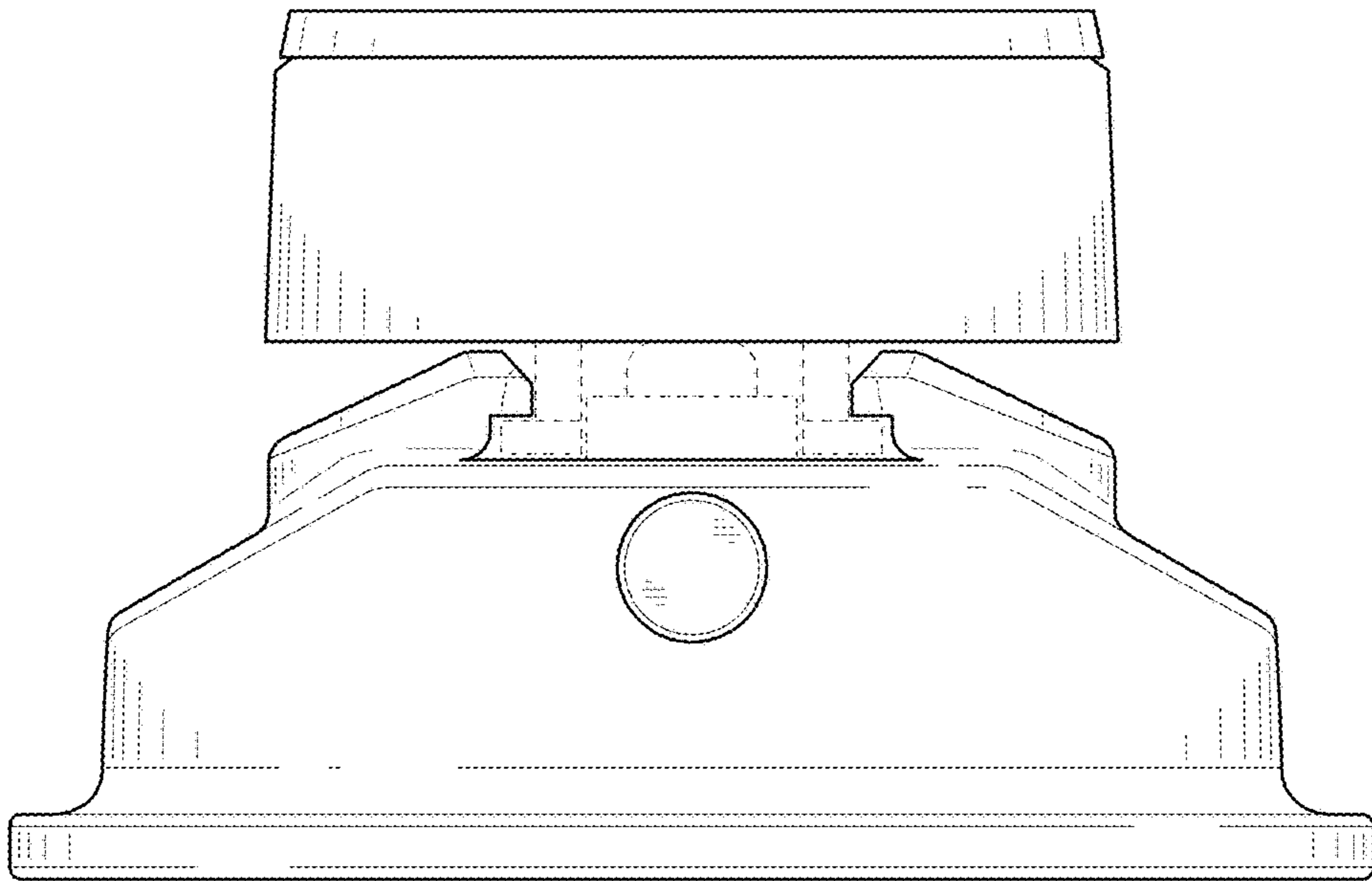


FIG. 9



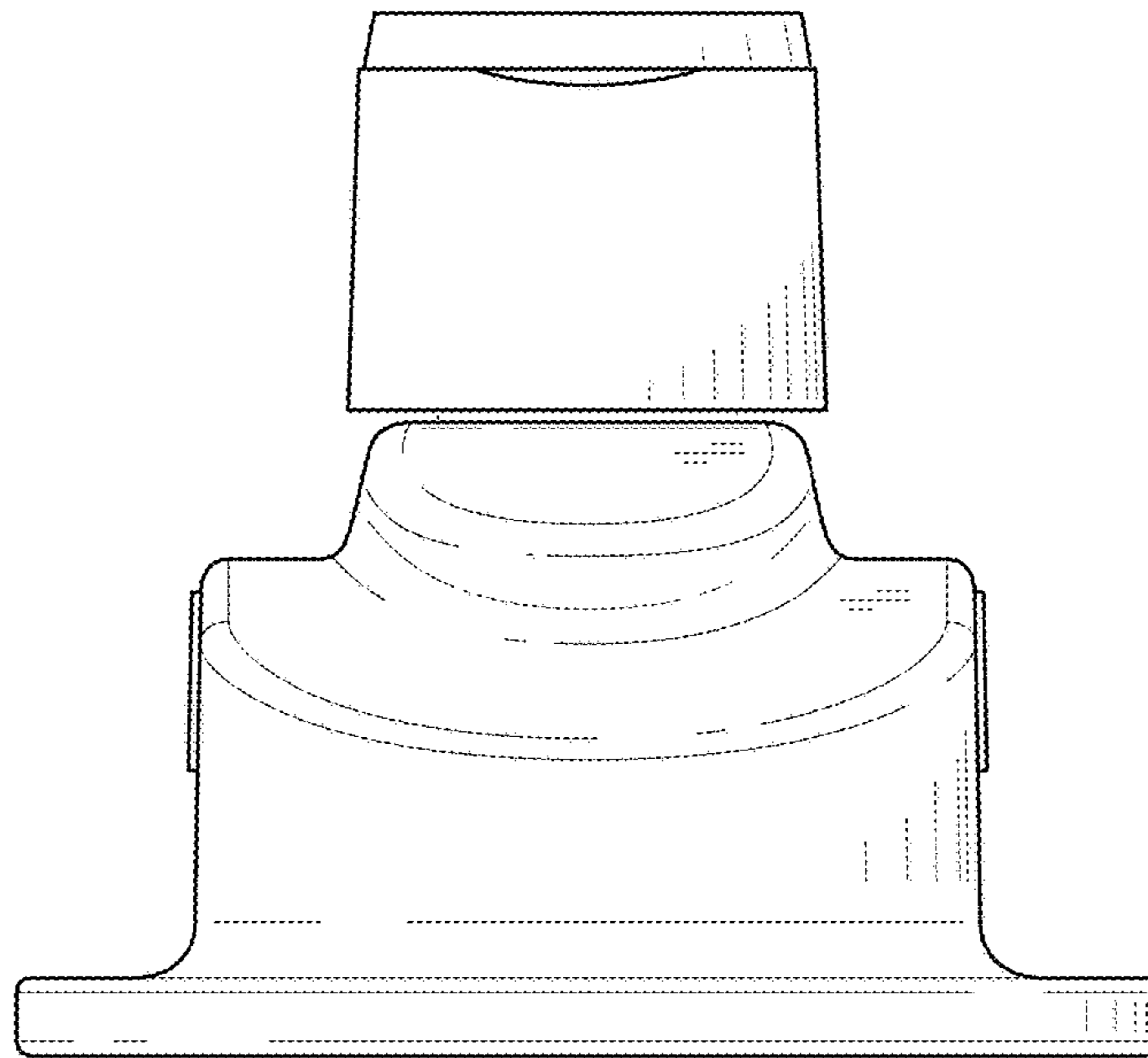


FIG. 10

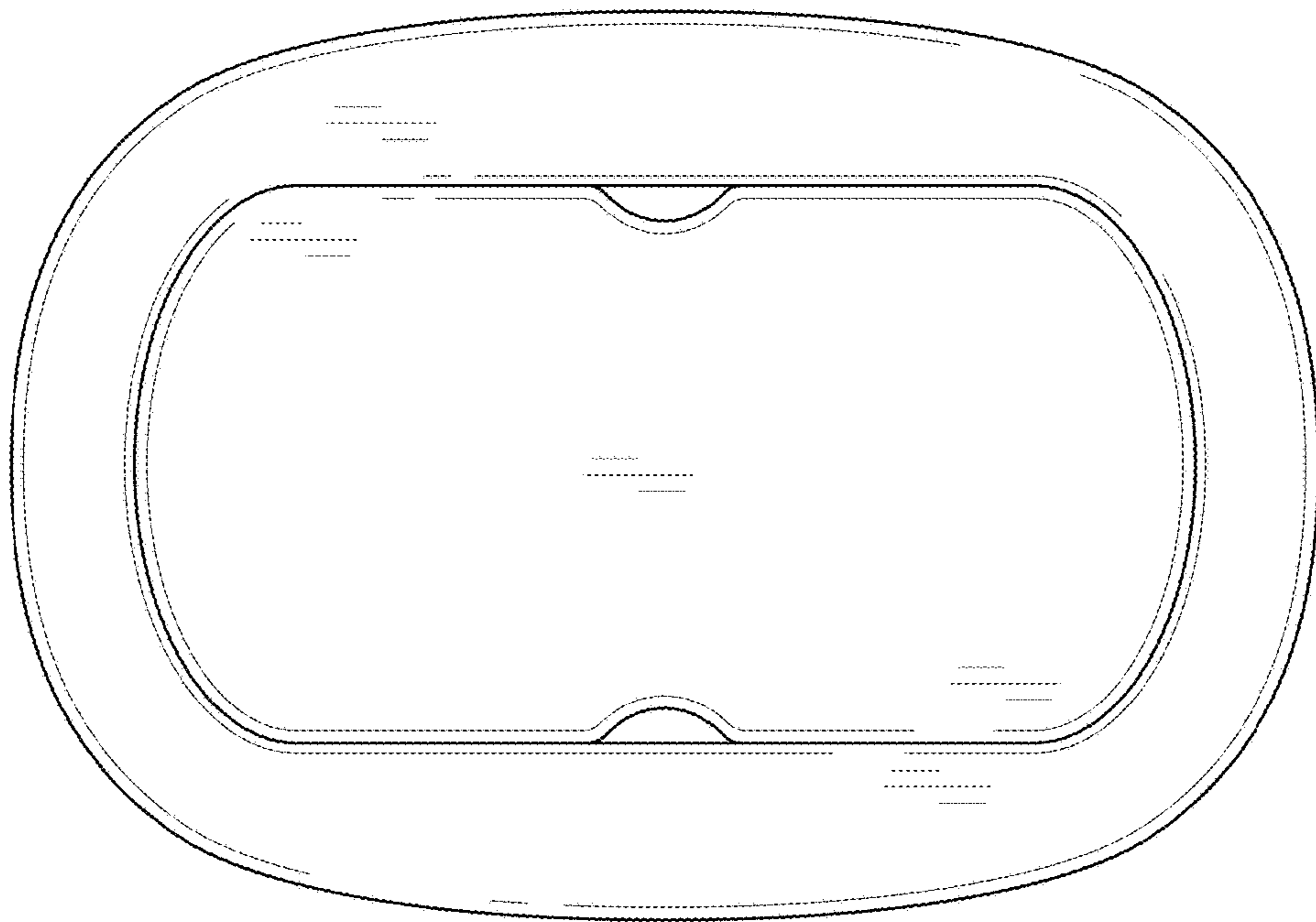


FIG. 11

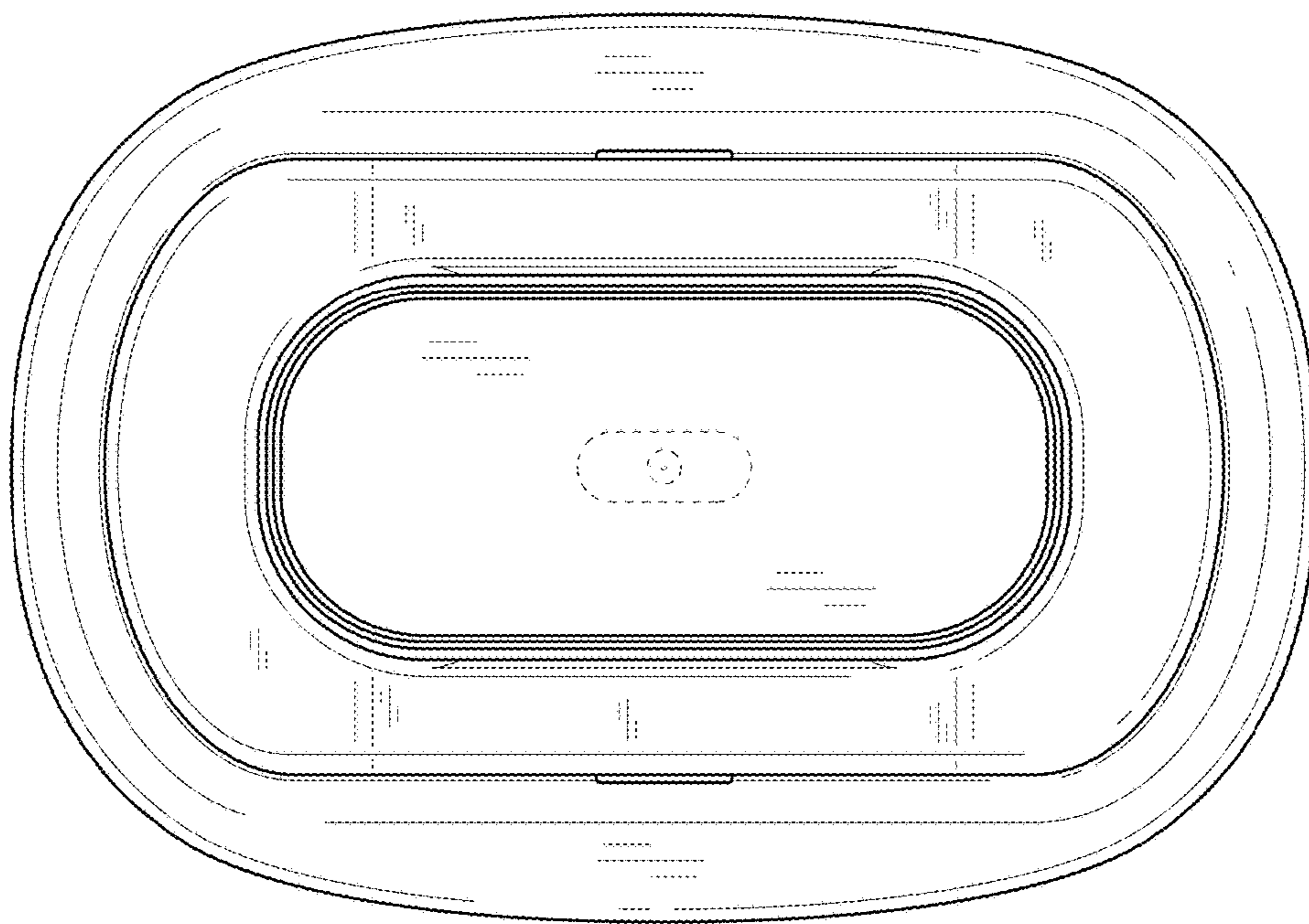


FIG. 12