



US00D854235S

(12) **United States Design Patent** (10) **Patent No.:** **US D854,235 S**  
**Reynolds** (45) **Date of Patent:** **\*\* Jul. 16, 2019**

(54) **LIGHT FIXTURE**

FOREIGN PATENT DOCUMENTS

(71) Applicant: **HGCI, Inc.**, Las Vegas, NV (US)  
(72) Inventor: **Christopher Reynolds**, Vancouver, WA (US)

CN ZL 201430166983.7 4/2015  
CN ZL 201530131007.2 7/2015

(73) Assignee: **HGCI, Inc.**, Las Vegas, NV (US)

OTHER PUBLICATIONS

(\*\*) Term: **15 Years**

Horticultural Lights, image post date Jul. 7, 2014, site visited Sep. 30, 2015 (online), <<http://web.archive.org/web/20140707223459/http://www.kindgreenbuds.com/cannabis-grow-bible/best-lighting-systems/>>.

(21) Appl. No.: **29/600,316**

(Continued)

(22) Filed: **Apr. 11, 2017**

*Primary Examiner* — Natasha Vujcic  
(74) *Attorney, Agent, or Firm* — J. Douglas Wells

**Related U.S. Application Data**

(63) Continuation of application No. 29/542,729, filed on Oct. 16, 2015, now Pat. No. Des. 788,361.

(51) **LOC (11) Cl.** ..... **26-05**

(52) **U.S. Cl.**  
USPC ..... **D26/142**

(58) **Field of Classification Search**  
USPC ..... D26/76, 78, 79, 80, 81, 82, 83, 85, 86, D26/88, 90, 93, 111, 113, 118, 119, 120, D26/121, 122, 138, 139, 140, 141, 142, D26/152  
CPC ..... F21S 2/00; F21S 4/00; F21S 4/003; F21S 4/005; F21S 4/006; F21S 4/007; F21S 4/008; F21S 6/00; F21S 8/00; F21S 8/024; F21S 8/026; F21S 8/031; F21S 8/033; F21S 8/035–8/037; F21S 8/04; F21S 8/043; F21S 8/063

See application file for complete search history.

(56) **References Cited**

U.S. PATENT DOCUMENTS

D106,614 S 10/1937 Waterbury  
D123,768 S 12/1940 Scribner  
D132,786 S 6/1942 Netting  
D133,216 S 7/1942 Parlato

(Continued)

(57) **CLAIM**

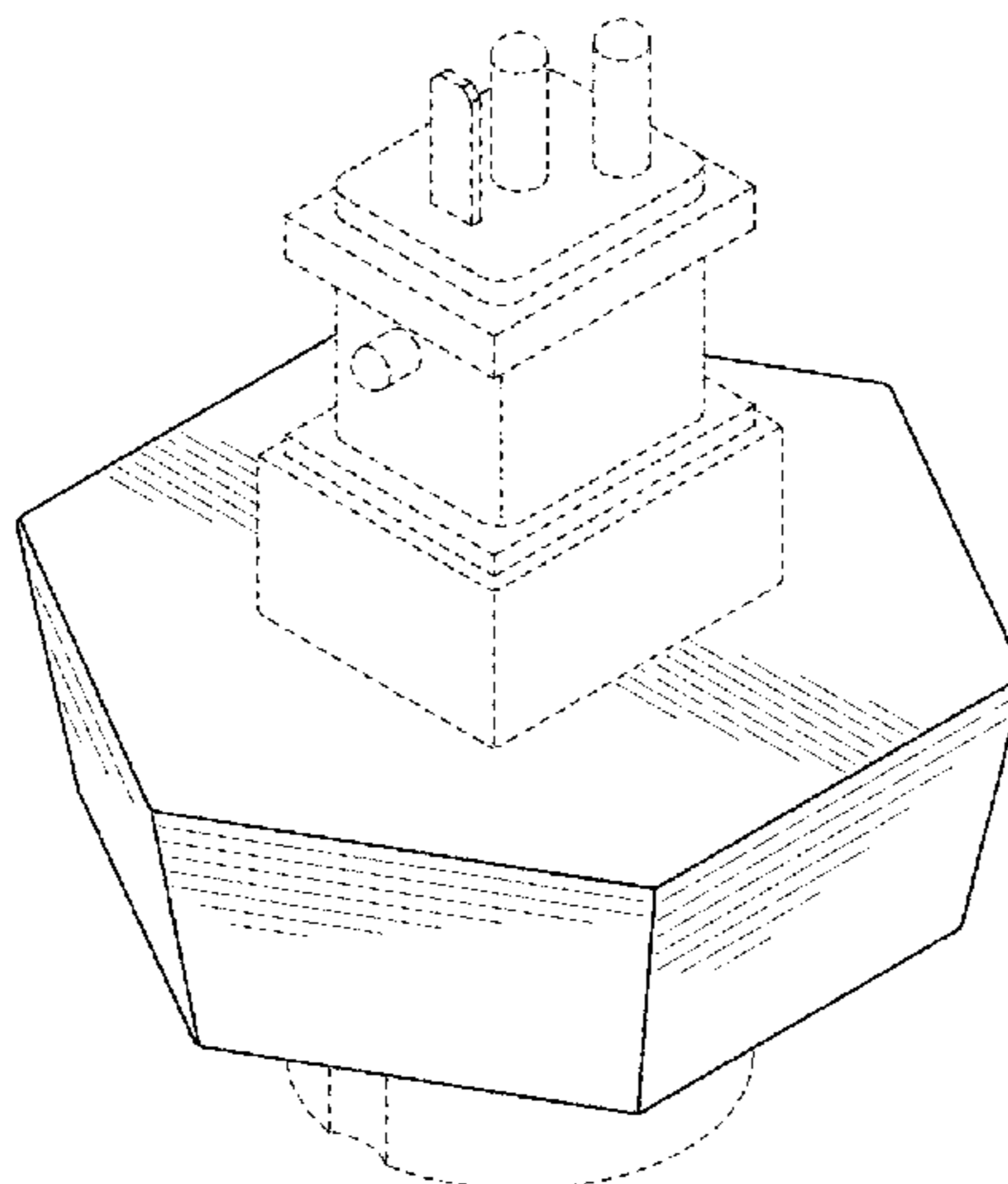
I claim, the ornamental design for a light fixture, as shown and described.

**DESCRIPTION**

FIG. 1 is a perspective view of a light fixture, as viewed from below, showing my new design;  
FIG. 2 is a perspective view of the light fixture shown in FIG. 1, as viewed from above;  
FIG. 3 is a left side view of the light fixture shown in FIG. 1;  
FIG. 4 is a right side view of the light fixture shown in FIG. 1;  
FIG. 5 is a front elevation view of the light fixture shown in FIG. 1;  
FIG. 6 is a rear elevation view of the light fixture shown in FIG. 1;  
FIG. 7 is a top plan view of the light fixture shown in FIG. 1; and,  
FIG. 8 is a bottom plan view of the light fixture shown in FIG. 1.

The broken-line disclosure shown in the views is understood to represent portions of the article in which the claimed design is embodied, but which form no part of the claimed design.

**1 Claim, 4 Drawing Sheets**



(56)

References Cited

U.S. PATENT DOCUMENTS

D135,375 S 3/1943 Biller  
 2,339,100 A 1/1944 Netting  
 D143,061 S 12/1945 Creed  
 D156,014 S 11/1949 Lazerson  
 2,740,883 A 4/1956 Michael  
 2,740,885 A 4/1956 Henry  
 3,272,978 A 9/1966 Jackson  
 D237,236 S 10/1975 Green  
 4,183,167 A 1/1980 Jatich  
 D264,440 S 5/1982 Austin  
 4,363,371 A 12/1982 Hutchinson  
 D268,287 S 3/1983 Boschetti  
 4,773,622 A 9/1988 Herlin  
 4,779,178 A 10/1988 Spitz  
 4,814,954 A 3/1989 Spitz  
 4,933,821 A 6/1990 Anderson  
 D309,953 S \* 8/1990 Chien ..... D26/67  
 D311,597 S 10/1990 Poot  
 5,253,152 A 10/1993 Yang  
 D352,126 S 11/1994 Ruud  
 5,453,180 A 9/1995 Henriksson  
 D377,234 S 1/1997 Roberts  
 D379,779 S 6/1997 Shryock  
 D413,176 S 8/1999 Mier-Langer  
 5,937,553 A 8/1999 Maran  
 6,039,563 A \* 3/2000 Hardy ..... F21V 35/00  
 206/503  
 6,053,624 A 4/2000 Cronk  
 D428,516 S 7/2000 Reo  
 D447,272 S 8/2001 Smith  
 D456,938 S 5/2002 Wardenburg  
 D459,825 S 7/2002 Field  
 D465,049 S 10/2002 Ludwig  
 D469,564 S 1/2003 Brok  
 6,527,422 B1 3/2003 Hutchinson  
 D475,801 S \* 6/2003 Stewart ..... D26/67  
 6,595,662 B2 7/2003 Wardenburg  
 D501,694 S \* 2/2005 Cannon ..... D11/90  
 6,988,816 B2 1/2006 Witkowski  
 D522,910 S \* 6/2006 Welzig ..... D11/90  
 D542,460 S 5/2007 Hargreaves  
 D543,652 S 5/2007 Hargreaves  
 D543,654 S 5/2007 Hargreaves  
 D544,131 S 6/2007 Blackman  
 D544,139 S 6/2007 Hargreaves  
 D544,626 S 6/2007 Hargreaves  
 D544,983 S 6/2007 Hargreaves  
 D544,984 S 6/2007 Hargreaves  
 D544,985 S 6/2007 Hargreaves  
 D544,987 S 6/2007 Hargreaves  
 D544,995 S 6/2007 Hargreaves  
 D545,484 S 6/2007 Hargreaves  
 D545,485 S 6/2007 Hargreaves  
 D545,994 S 7/2007 Hargreaves  
 D547,886 S 7/2007 Foo  
 D586,030 S 2/2009 Genova  
 7,524,090 B2 4/2009 Hargreaves  
 7,534,011 B2 5/2009 Townsley  
 D613,900 S 4/2010 Hargreaves  
 D614,801 S 4/2010 Collins  
 D615,698 S 5/2010 Weiss  
 7,722,208 B1 5/2010 Dupre  
 7,722,228 B2 5/2010 Broer  
 D632,027 S 2/2011 Johnston  
 D633,640 S 3/2011 Wauters  
 D634,060 S 3/2011 Wardenburg  
 D634,468 S 3/2011 Hargreaves  
 D634,469 S 3/2011 Hargreaves  
 D637,162 S 5/2011 Bridgman  
 D637,752 S 5/2011 Mehktarian  
 D638,570 S \* 5/2011 Verelst ..... D26/90  
 7,959,331 B2 6/2011 Ho  
 7,972,044 B2 7/2011 Burkhauser  
 D661,833 S 6/2012 Imajo  
 8,209,912 B2 7/2012 Hargreaves

D669,204 S 10/2012 Snell  
 D670,850 S 11/2012 Helenowski  
 D672,911 S 12/2012 Mayfield  
 D675,369 S 1/2013 Michaud  
 8,348,481 B2 1/2013 Chang  
 D676,185 S 2/2013 Piepgras  
 D678,599 S 3/2013 Boyer  
 D680,673 S \* 4/2013 Levine ..... D26/60  
 D681,502 S \* 5/2013 Chester ..... D11/142  
 D683,064 S 5/2013 Tuck  
 D693,959 S 11/2013 Boyer  
 D698,986 S 2/2014 Reynolds  
 D698,987 S 2/2014 Stanley  
 D701,994 S \* 4/2014 Schuyler ..... D26/142  
 D710,050 S \* 7/2014 Haws ..... D26/142  
 D713,093 S 9/2014 Sun  
 8,905,575 B2 12/2014 Durkee  
 D725,819 S 3/2015 Reynolds  
 8,998,473 B1 4/2015 Anderson  
 9,010,970 B2 4/2015 Guercio  
 9,016,907 B2 4/2015 Stanley  
 D731,701 S 6/2015 Hargreaves  
 D732,233 S 6/2015 Reynolds  
 D732,235 S 6/2015 Reynolds  
 D736,450 S 8/2015 Reynolds  
 D737,134 S 8/2015 Thompson  
 D737,498 S 8/2015 Stanley  
 9,100,209 B2 8/2015 Blessitt  
 D738,943 S 9/2015 Dodds  
 D739,595 S 9/2015 Reynolds  
 D740,486 S 10/2015 Stanley  
 D744,599 S \* 12/2015 Gan ..... D21/504  
 D747,029 S 1/2016 Reynolds  
 D748,849 S 2/2016 Stanley  
 D750,312 S 2/2016 Reynolds  
 D750,316 S 2/2016 Reynolds  
 D751,244 S 3/2016 Reynolds  
 D751,247 S 3/2016 Reynolds  
 9,279,550 B2 3/2016 Torabifard  
 D756,556 S \* 5/2016 Bryant ..... D26/138  
 D757,323 S 5/2016 Reynolds  
 D762,320 S 7/2016 Reynolds  
 D765,306 S 8/2016 Wardenburg  
 D767,193 S 9/2016 Jung  
 9,453,639 B2 9/2016 Mandy  
 D769,513 S 10/2016 Reynolds  
 D769,514 S 10/2016 Reynolds  
 D770,670 S 11/2016 Reynolds  
 D770,671 S 11/2016 Reynolds  
 D773,717 S \* 12/2016 Amato ..... D26/89  
 D775,405 S 12/2016 Stanley  
 D779,703 S 2/2017 Stanley  
 D788,361 S \* 5/2017 Reynolds ..... D26/142  
 D825,833 S \* 8/2018 Rotenberg ..... D26/142  
 D836,022 S \* 12/2018 Morris ..... D11/131  
 D836,240 S \* 12/2018 Kyung ..... D26/118  
 D839,474 S \* 1/2019 Guillaume ..... D26/142  
 2001/0023173 A1 9/2001 Schiedegger  
 2002/0141195 A1 10/2002 Wardenburg  
 2008/0205030 A1 8/2008 Hargreaves  
 2008/0205071 A1 8/2008 Townsley  
 2008/0219008 A1 9/2008 Schaefer  
 2008/0278950 A1 11/2008 Pickard  
 2009/0262540 A1 10/2009 Hargreaves  
 2009/0262543 A1 10/2009 Ho  
 2009/0310373 A1 12/2009 Burkhauser  
 2009/0323335 A1 12/2009 Yang  
 2012/0051041 A1 3/2012 Edmond  
 2013/0083539 A1 4/2013 Dimitriadis  
 2013/0176750 A1 7/2013 Ray  
 2015/0082692 A1 3/2015 Wardenburg  
 2015/0252993 A1 9/2015 Stanley

OTHER PUBLICATIONS

Horticultural Lighting, image post date Sep. 2008, site visted Sep. 30, 2015, (online), <<http://www.dendroboard.com/forum/sponsor-classifieds/104681-grow-your-own-plants-horticulture-neherp.html>>.

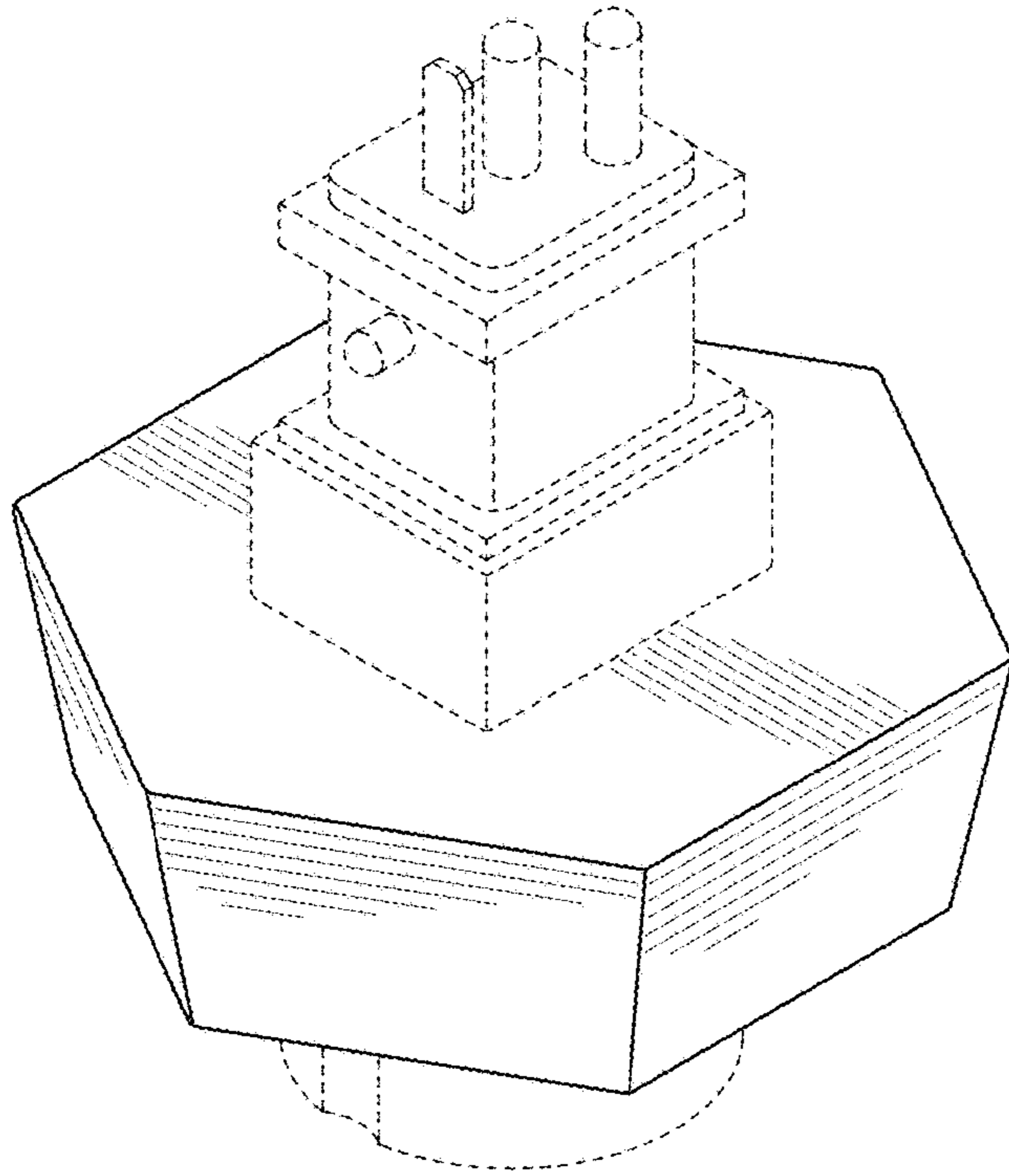
(56)

**References Cited**

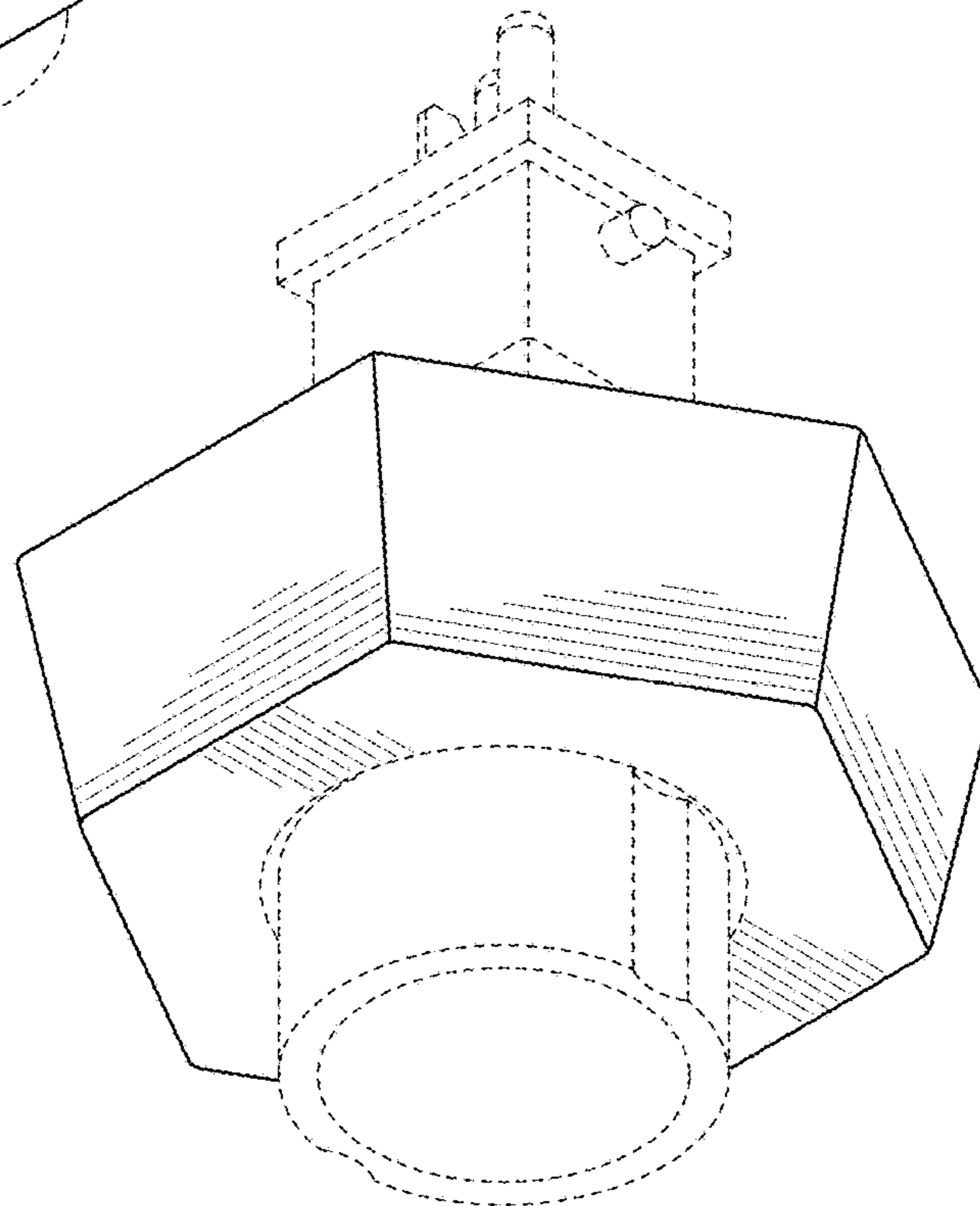
OTHER PUBLICATIONS

Steel S Section, image post date Aug. 30, 2000, site visted Sep. 30, 2015 (online), <<http://web.archive.org/web/20000830093120/http://www.efunda.com/math/areas/RolledSteelBeamsS.cfm>>.

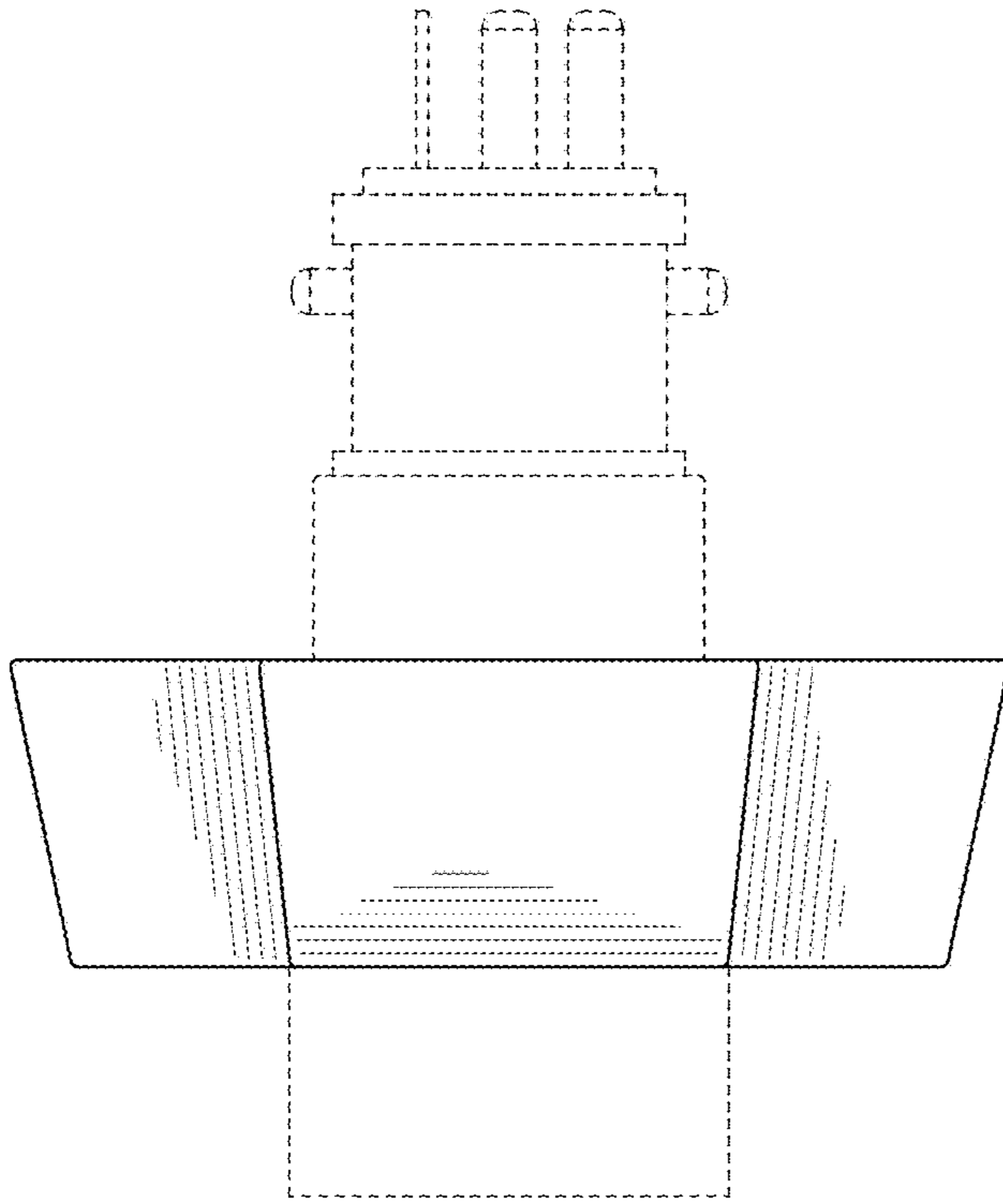
\* cited by examiner



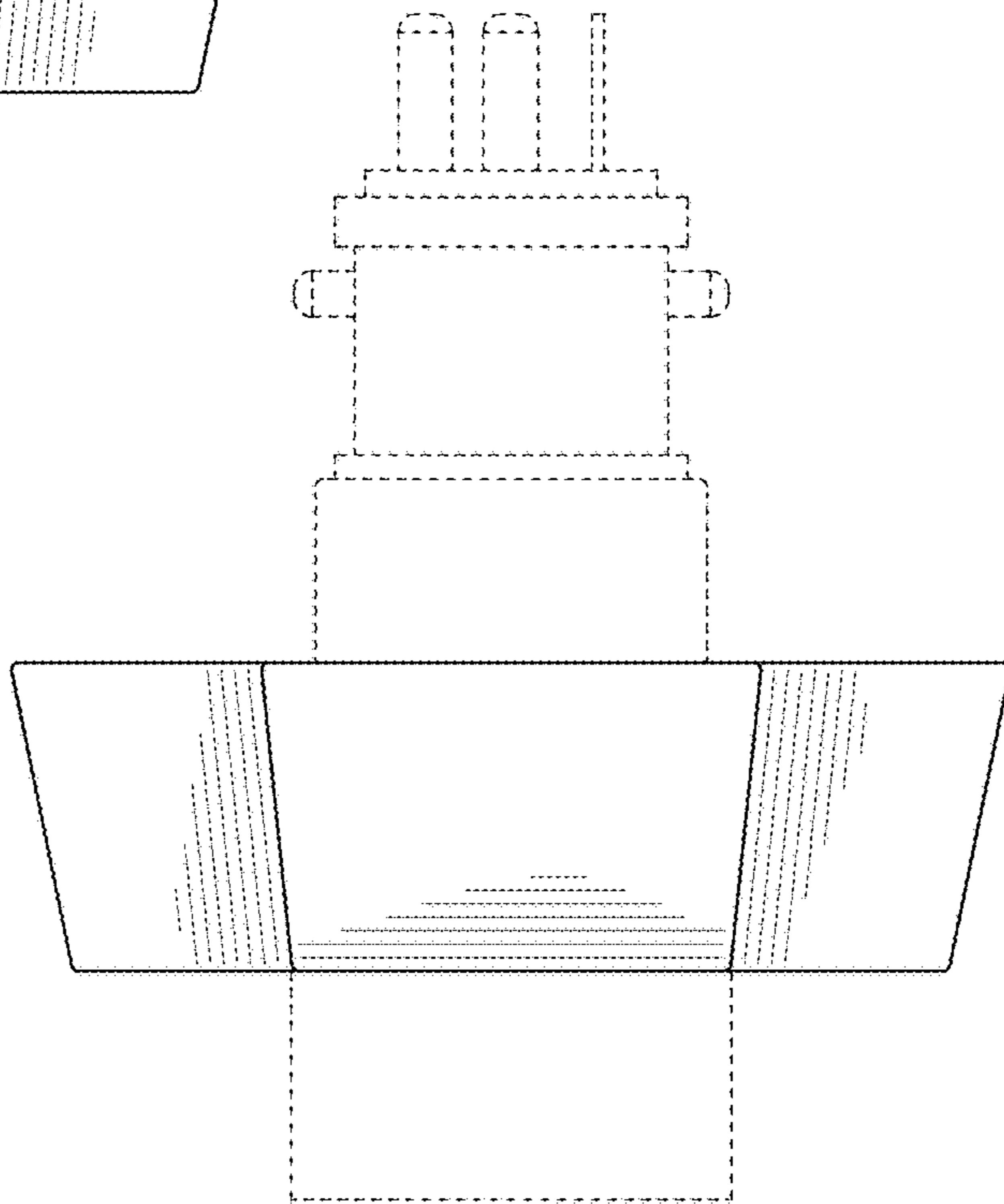
**FIG. 1**



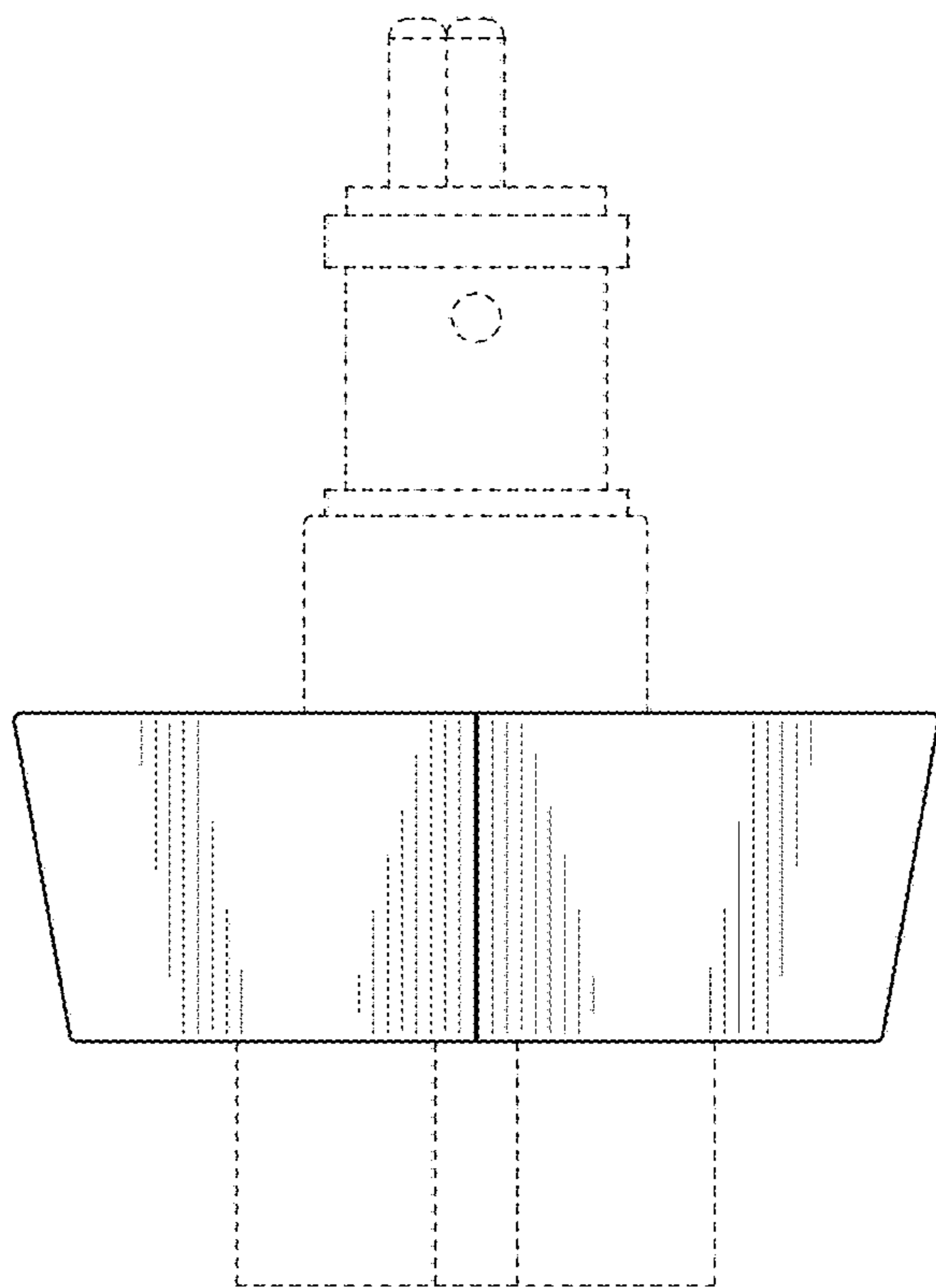
**FIG. 2**



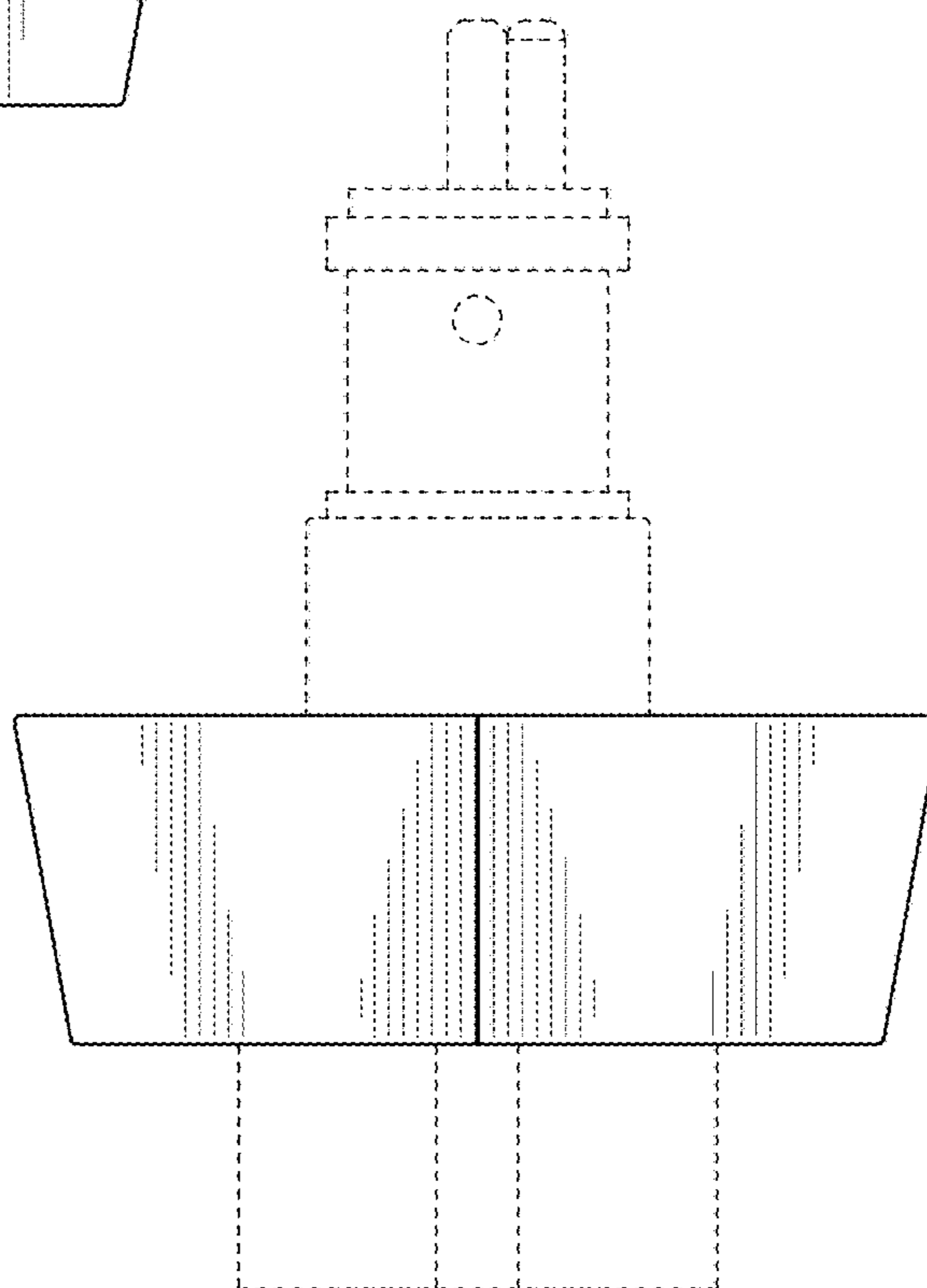
**FIG. 3**



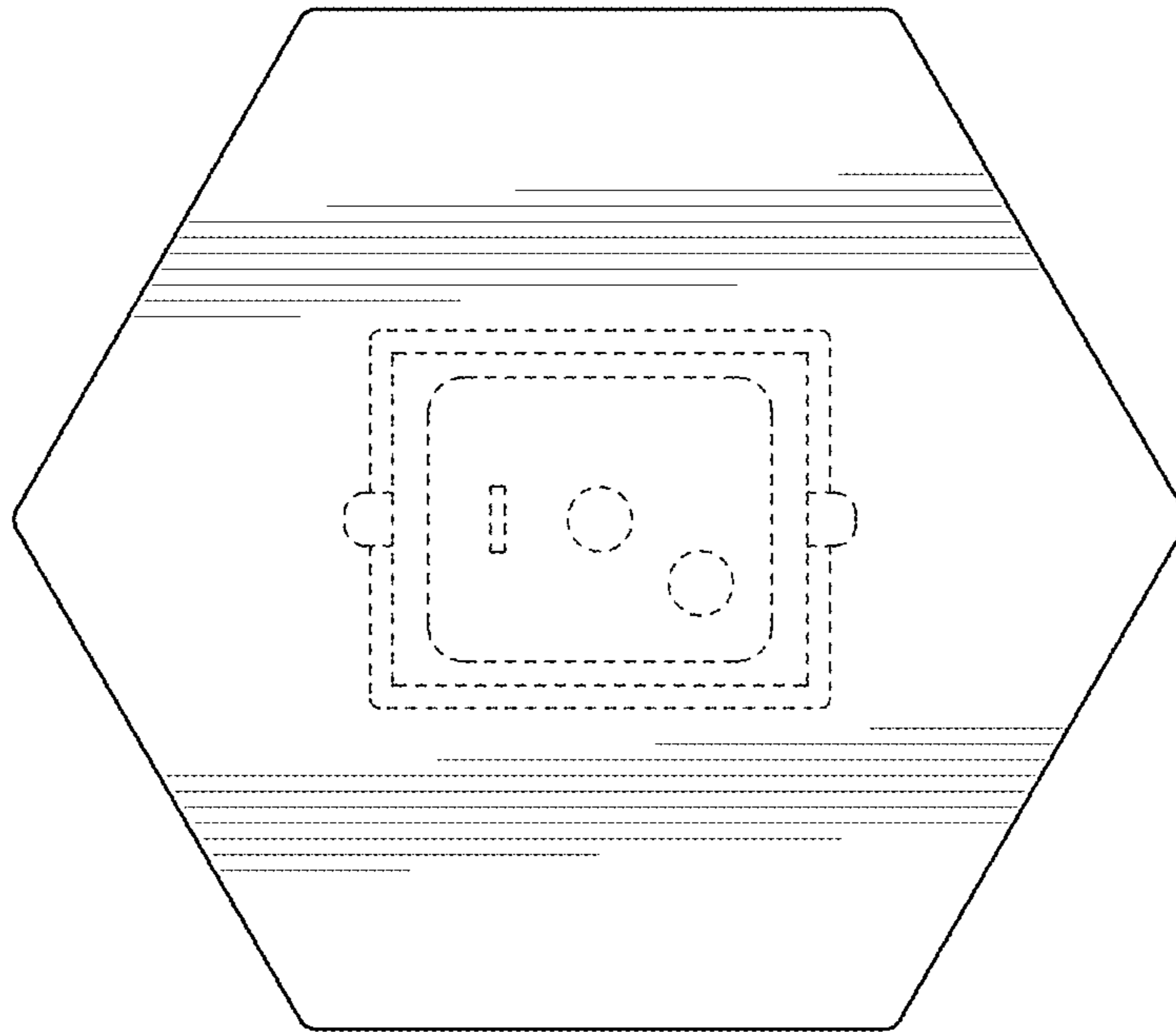
**FIG. 4**



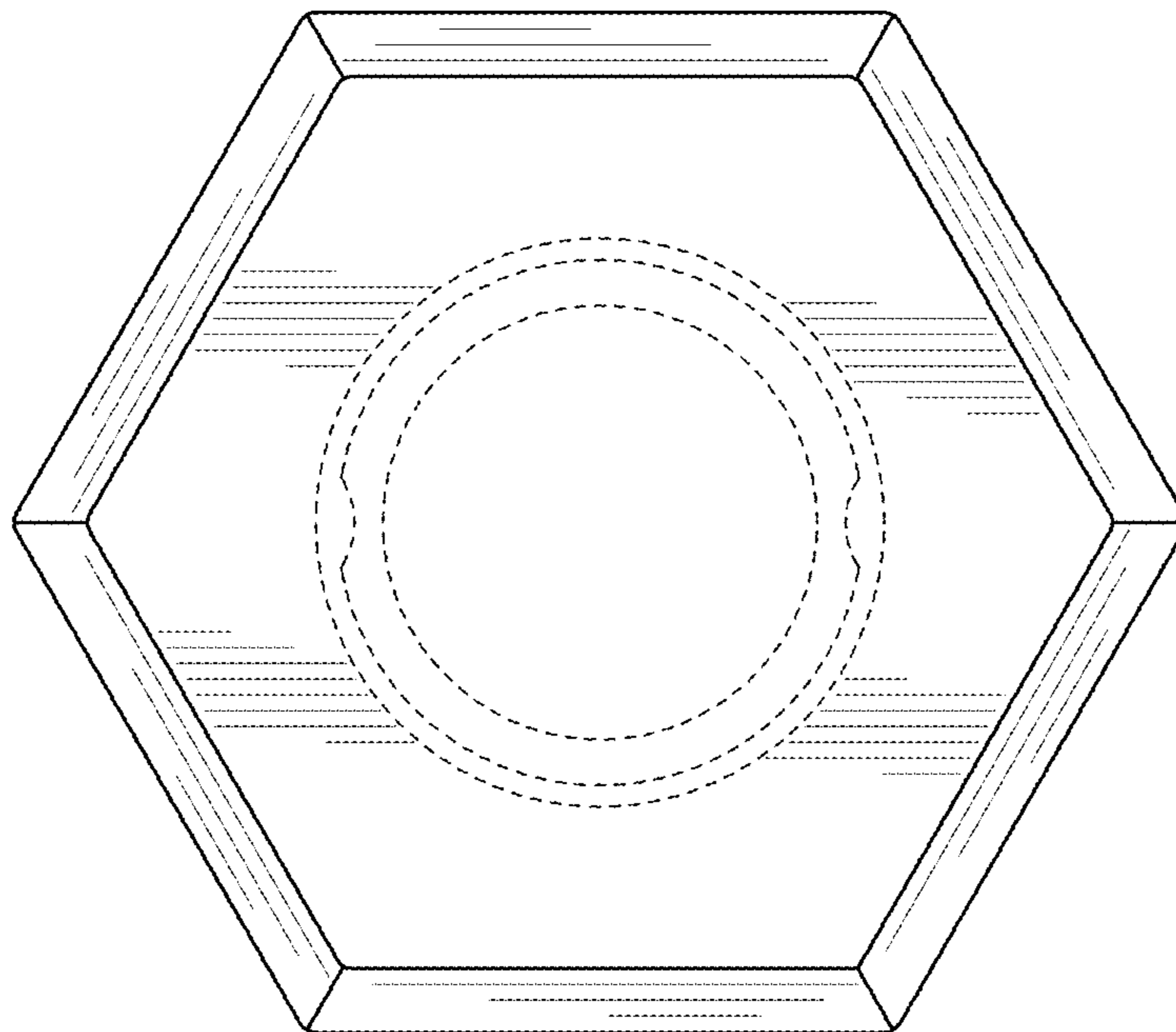
**FIG. 5**



**FIG. 6**



**FIG. 7**



**FIG. 8**