



US00D854234S

(12) **United States Design Patent**
Lucas et al.

(10) **Patent No.:** **US D854,234 S**
(45) **Date of Patent:** **** Jul. 16, 2019**

(54) **VEHICLE FRONT FOG LAMP TRIM**

(71) Applicant: **Ford Global Technologies, LLC,**
Dearborn, MI (US)

(72) Inventors: **Earl C. Lucas,** Southfield, MI (US);
Keith Rogman, Fenton, MI (US);
Hojoon Kang, Novi, MI (US); **David**
Woodhouse, Troy, MI (US)

(73) Assignee: **Ford Global Technologies, LLC,**
Dearborn, MI (US)

(**) Term: **15 Years**

(21) Appl. No.: **29/624,495**

(22) Filed: **Nov. 1, 2017**

(51) **LOC (11) Cl.** **26-99**

(52) **U.S. Cl.**
USPC **D26/139; D12/190**

(58) **Field of Classification Search**
USPC D12/190, 163, 196, 86, 90-92, 171, 169,
D12/216, 98; 180/68.1, 68.6;
293/193.11; D26/28-36, 139; 362/61,
362/80-83, 267-269, 459-468, 475-478,
362/485-487
CPC B60Q 1/02; B60Q 1/04; B60Q 1/26; F21S
48/00; F21S 48/10; F21S 48/115; F21S
48/225; F21S 48/1233; F21S 48/1266;
F21S 48/1388; F21S 48/2268; F21V
21/04; F21V 29/004; F21V 29/2212;
F21V 2102/02

See application file for complete search history.

(56) **References Cited**

U.S. PATENT DOCUMENTS

D604,893 S * 11/2009 Woolley D26/139
D609,149 S * 2/2010 Larson D12/181
D632,424 S * 2/2011 Fesler D26/139
D640,826 S * 6/2011 Beigel D26/139
D653,389 S * 1/2012 Xu D26/139

D659,059 S * 5/2012 Elmitt D12/190
D665,109 S * 8/2012 Platto D26/139
D683,895 S * 6/2013 Platto D26/139
D685,128 S * 6/2013 Platto D26/139
D701,631 S * 3/2014 Goto D26/28
D713,596 S * 9/2014 Rupar D26/139
D757,308 S * 5/2016 Rupar D26/28

(Continued)

FOREIGN PATENT DOCUMENTS

DE 102014100606 * 7/2015 F21S 41/29

OTHER PUBLICATIONS

Ford Ranger Fog Lamps (2016), TheRacersEdge.co.za, [online],
[site visited Feb. 28, 2019]. <URL: <https://www.theracersedge.co.za/Ford-Ranger-Fog-Lamps-2016->> (Year: 2019).*

(Continued)

Primary Examiner — T Chase Nelson

Assistant Examiner — Jonathan J. Han

(74) *Attorney, Agent, or Firm* — Vichit Chea

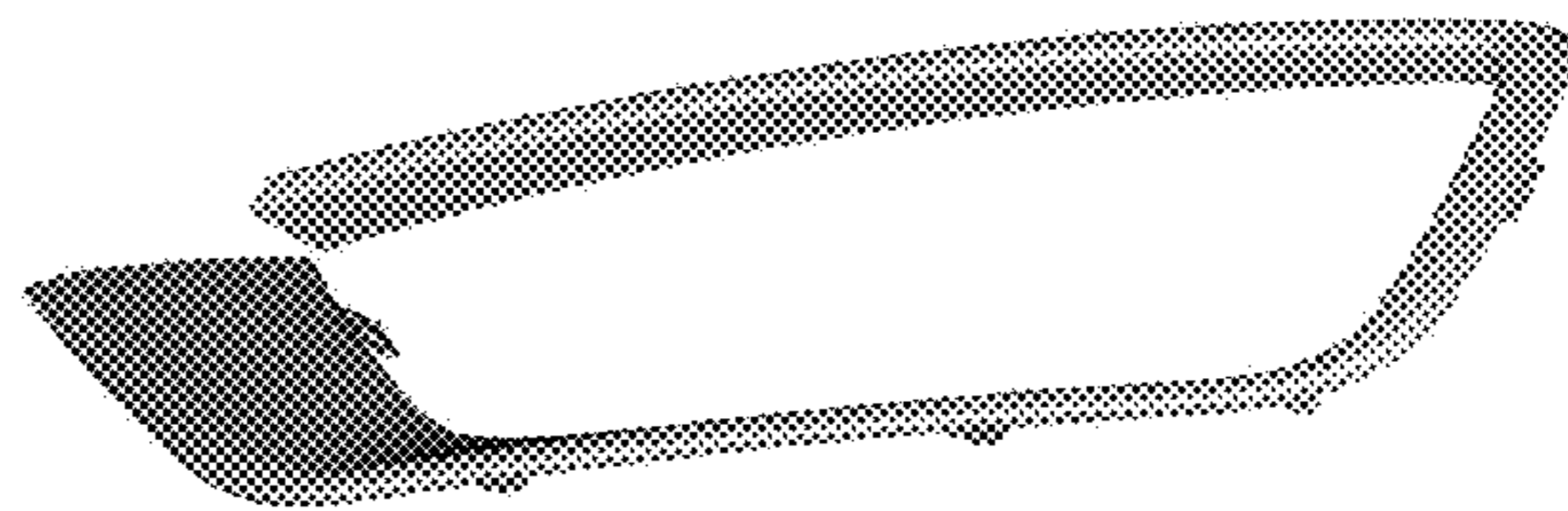
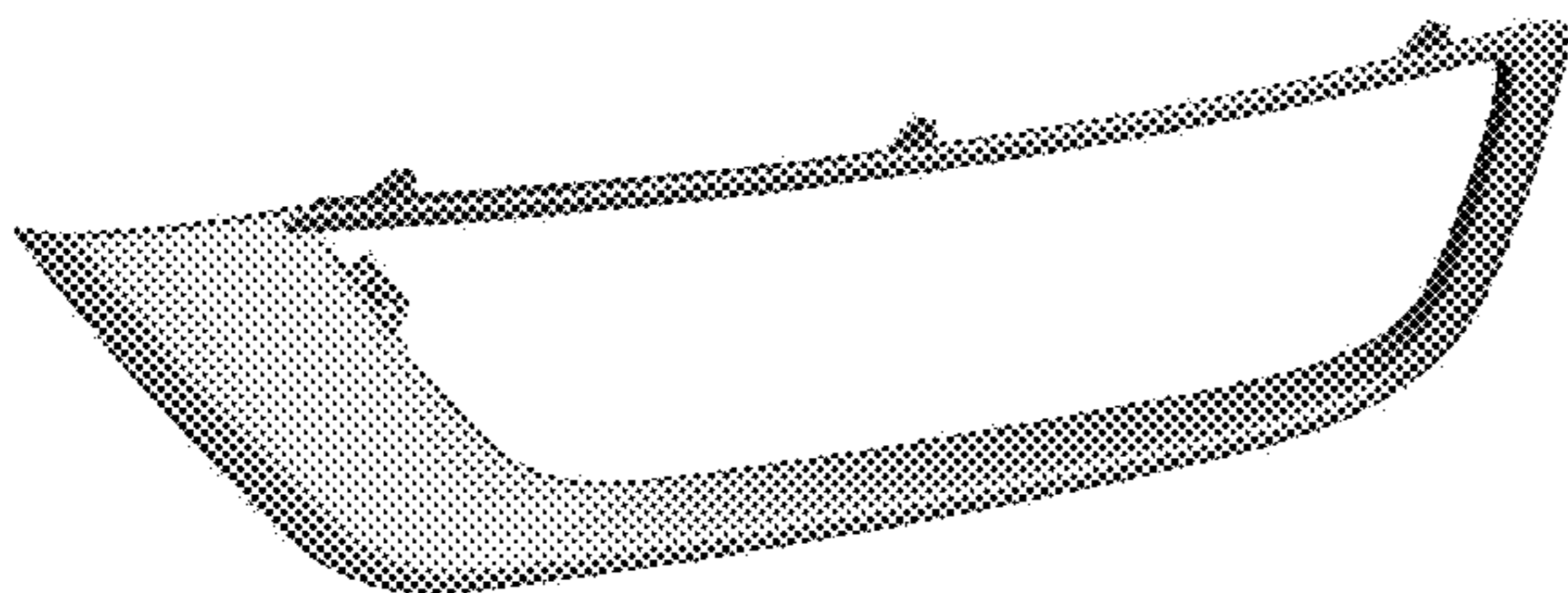
(57) **CLAIM**

The ornamental design for a vehicle front fog lamp trim, as shown and described.

DESCRIPTION

FIG. 1 is a top, front, and left side perspective view a left vehicle front fog lamp trim, showing our new design;
FIG. 2 is a bottom, front, and left side perspective view thereof;
FIG. 3 is a top, rear, and left side perspective view thereof;
FIG. 4 is a front elevational view thereof;
FIG. 5 is a rear elevational view thereof;
FIG. 6 is a left side elevational view thereof;
FIG. 7 is a right side elevational view thereof;
FIG. 8 is a top plan view thereof; and,
FIG. 9 is a bottom plan view thereof.

1 Claim, 9 Drawing Sheets



(56)

References Cited

U.S. PATENT DOCUMENTS

D757,309 S * 5/2016 Rupar D26/28
 D758,938 S * 6/2016 Buffery D12/195
 D759,294 S * 6/2016 Kim D26/139
 D759,295 S * 6/2016 Rupar D26/139
 D762,325 S * 7/2016 Rupar D26/139
 D775,761 S * 1/2017 Svensson D26/139
 D776,863 S * 1/2017 Wolff D26/139
 D778,490 S * 2/2017 Ito D26/139
 D778,491 S * 2/2017 Ito D26/139
 D780,987 S * 3/2017 Bucher D26/139
 D780,988 S * 3/2017 Bucher D26/139
 D785,855 S * 5/2017 Svensson D26/139
 D785,856 S * 5/2017 Svensson D26/139
 D785,857 S * 5/2017 Svensson D26/139
 D805,966 S * 12/2017 Perkins D12/163
 D808,316 S * 1/2018 Piscitelli D12/190
 D808,317 S * 1/2018 Piscitelli D12/190

D810,974 S * 2/2018 Sato D26/28
 D811,650 S * 2/2018 Bucher D26/139
 D815,766 S * 4/2018 Park D26/28

OTHER PUBLICATIONS

2Pcs Abs Chrome Rear Fog Light Lamp Frame Cover Trim Strip For Ford Escape 2013-2017 2018, Amazon.com, [online], [site visited Feb. 28, 2019]. <URL: <https://www.amazon.com/Chrome-Light-Frame-Escape-2013-2017/dp/B073RP3TYM>> (Year: 2019).*

Accessories for Ford New Fiesta Hatchback Abs Fog Light Lamp Cover Trim 2Pcs/Set, Solidrop.net, [online], [site visited Feb. 28, 2019]. <URL: <https://www.solidrop.net/product/accessories-for-ford-new-fiesta-hatchback-abs-rear-fog-light-lamp-cover-trim-2pcs-set.html>> (Year: 2019).*

10-12 Ford Fusion Driver Side Fog Light Trim Ring Chrome Sel Models, HeadlightsDepot.com, [online], [site visited Feb. 28, 2019]. <URL: <https://www.headlightsdepot.com/10-12-ford-fusion-driver-side-fog-light-trim-ring-chrome-sel-models.html>> (Year: 2019).*

* cited by examiner

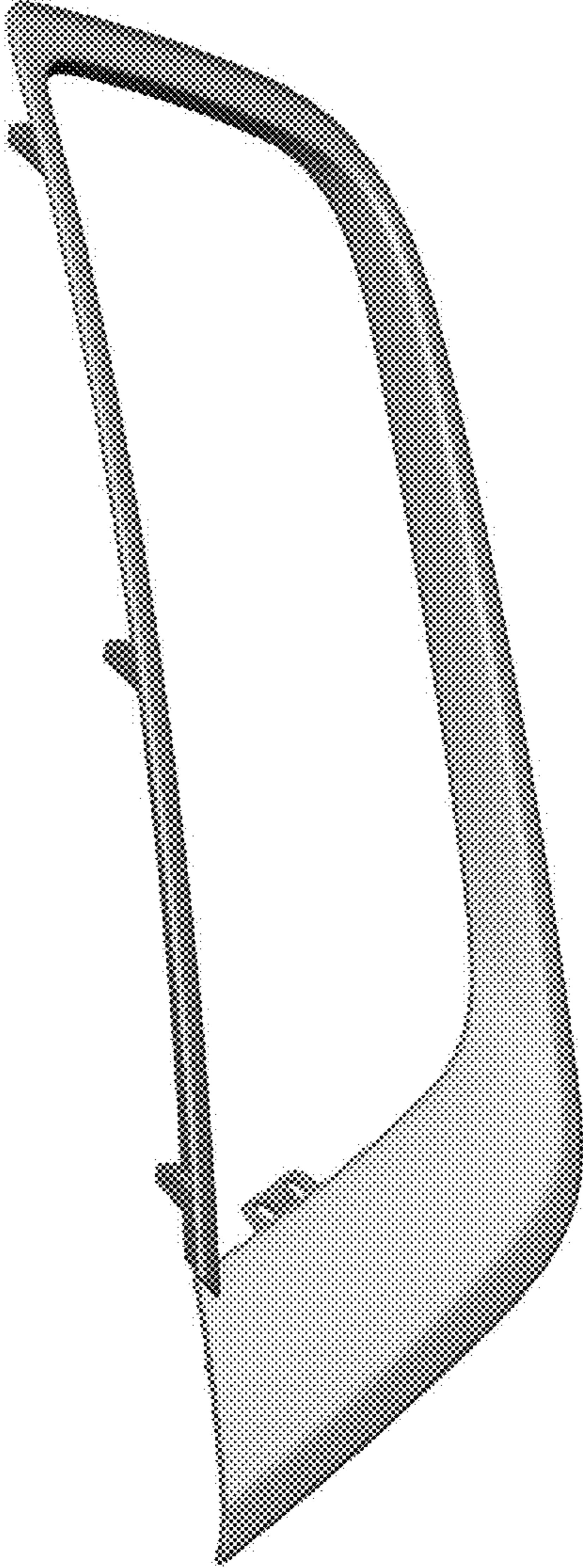


Figure 1

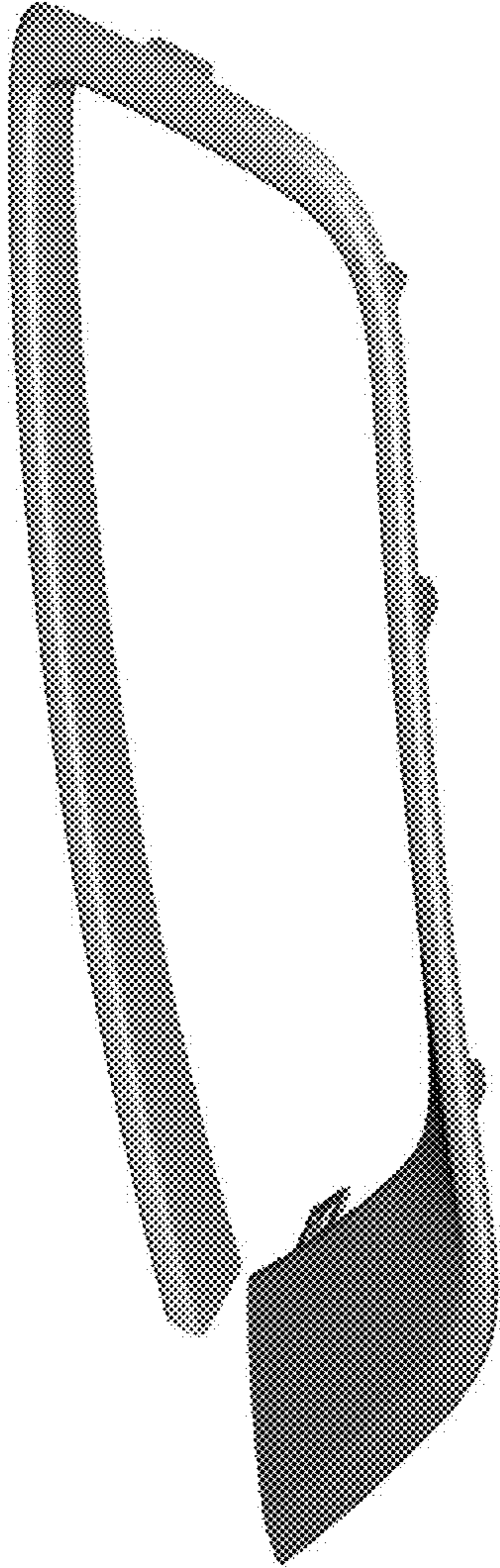


Figure 2

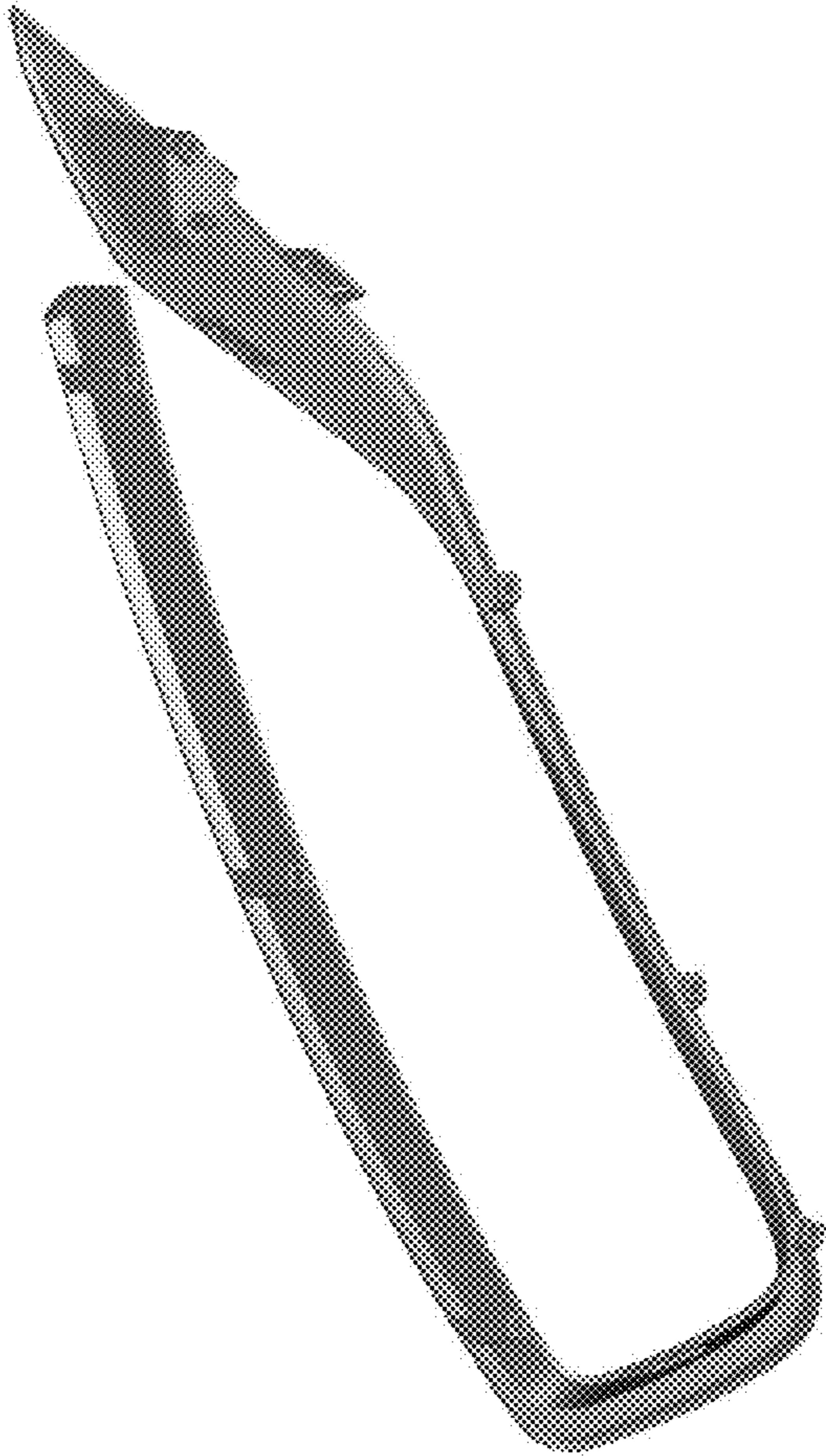


Figure 3

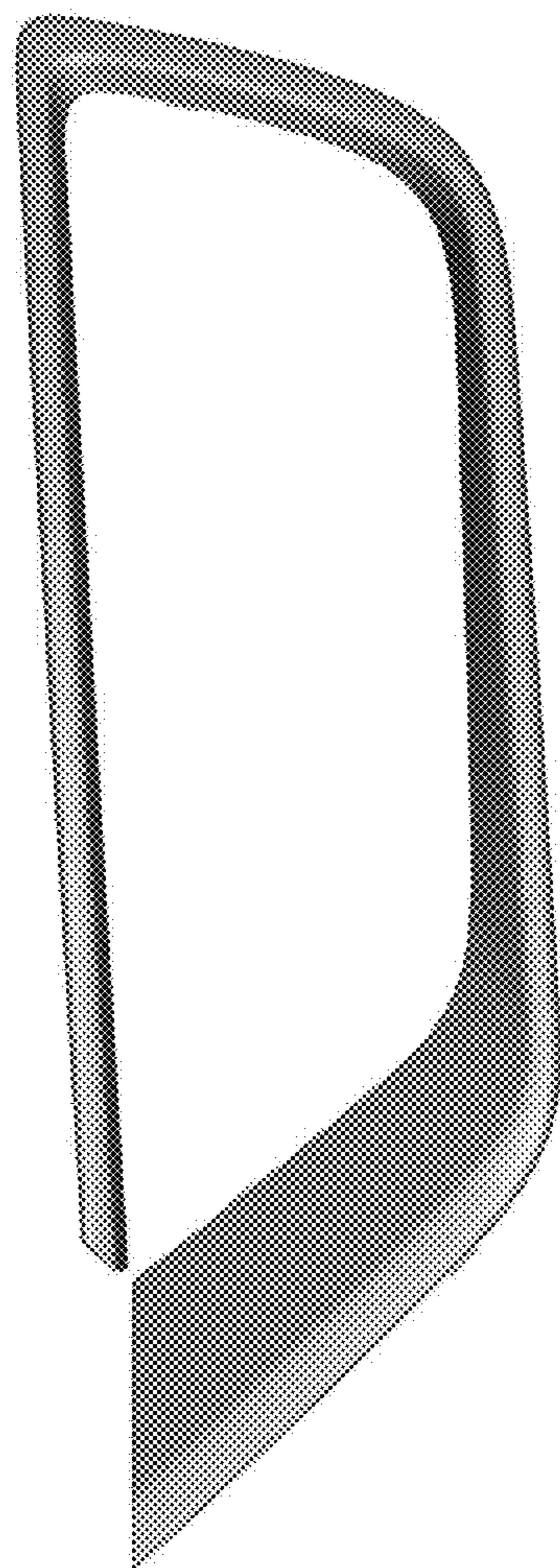


Figure 4

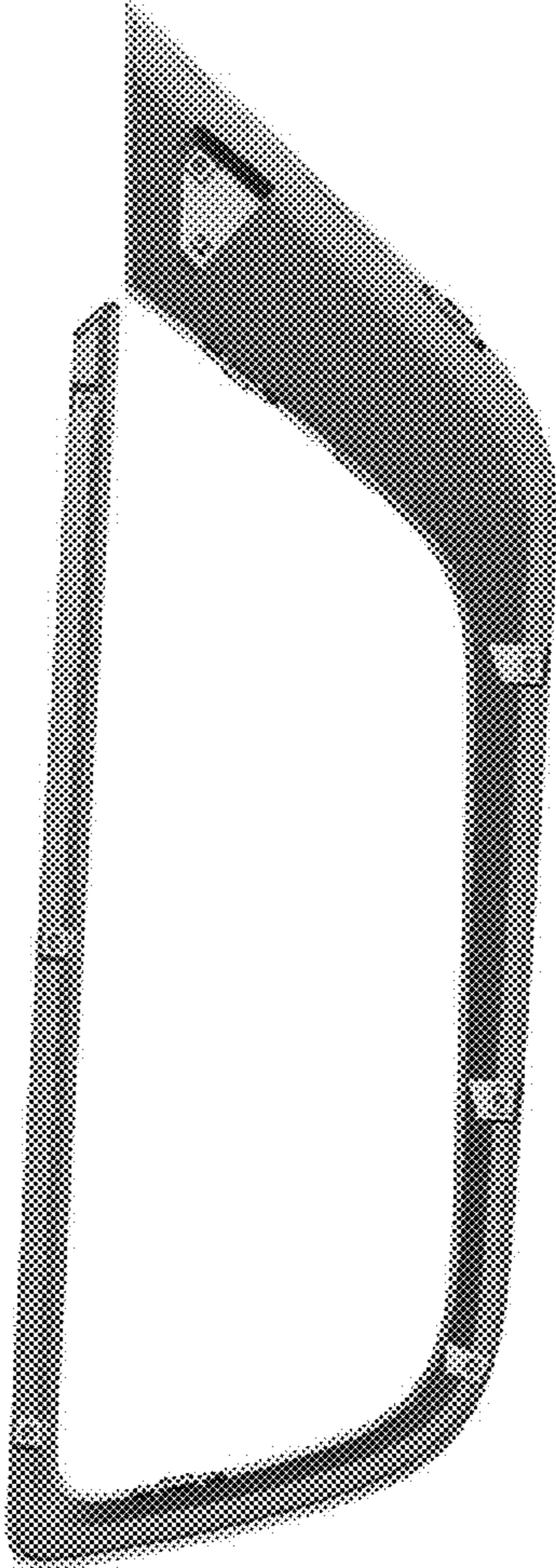


Figure 5



Figure 6

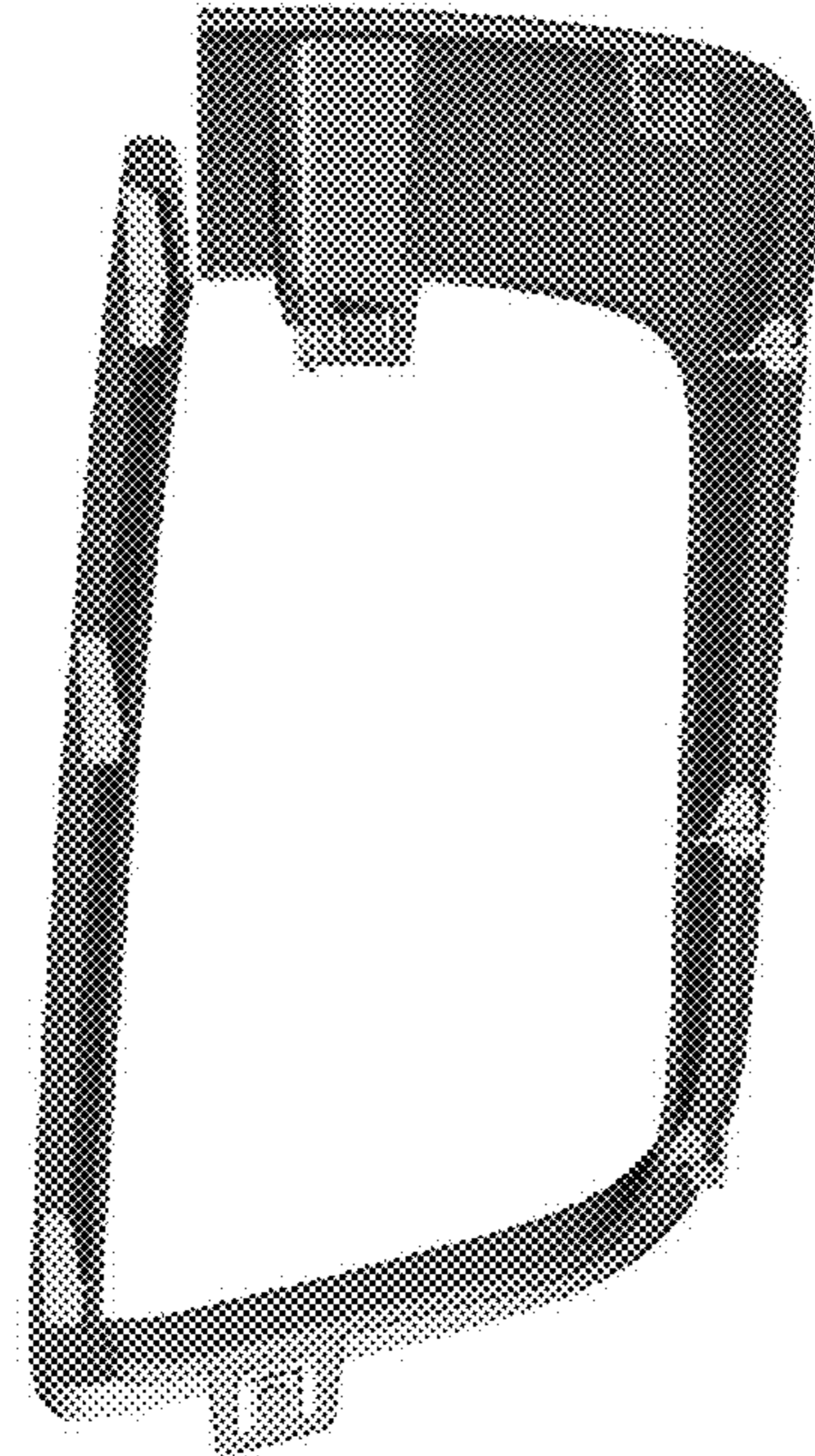


Figure 7

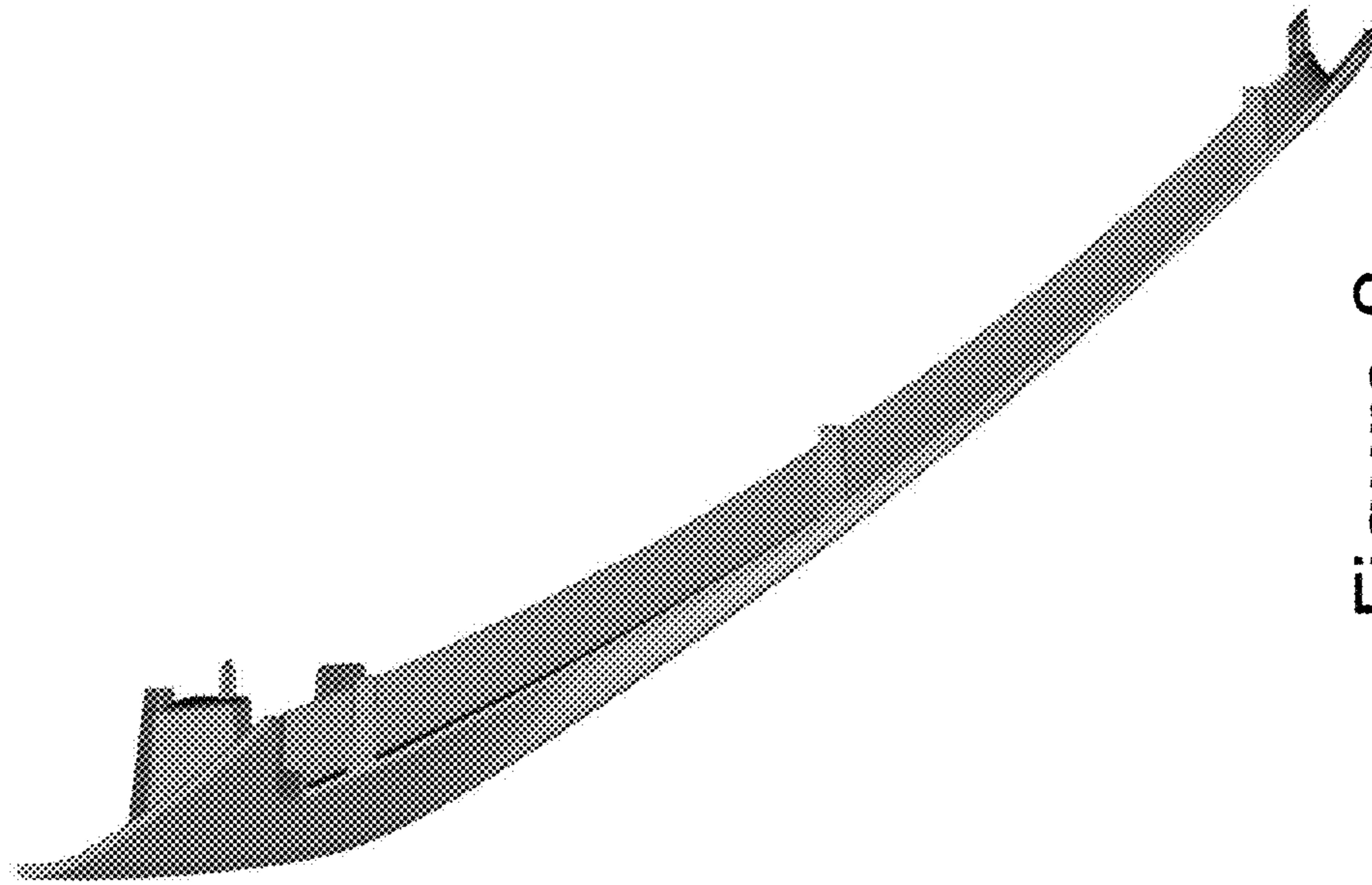


Figure 8

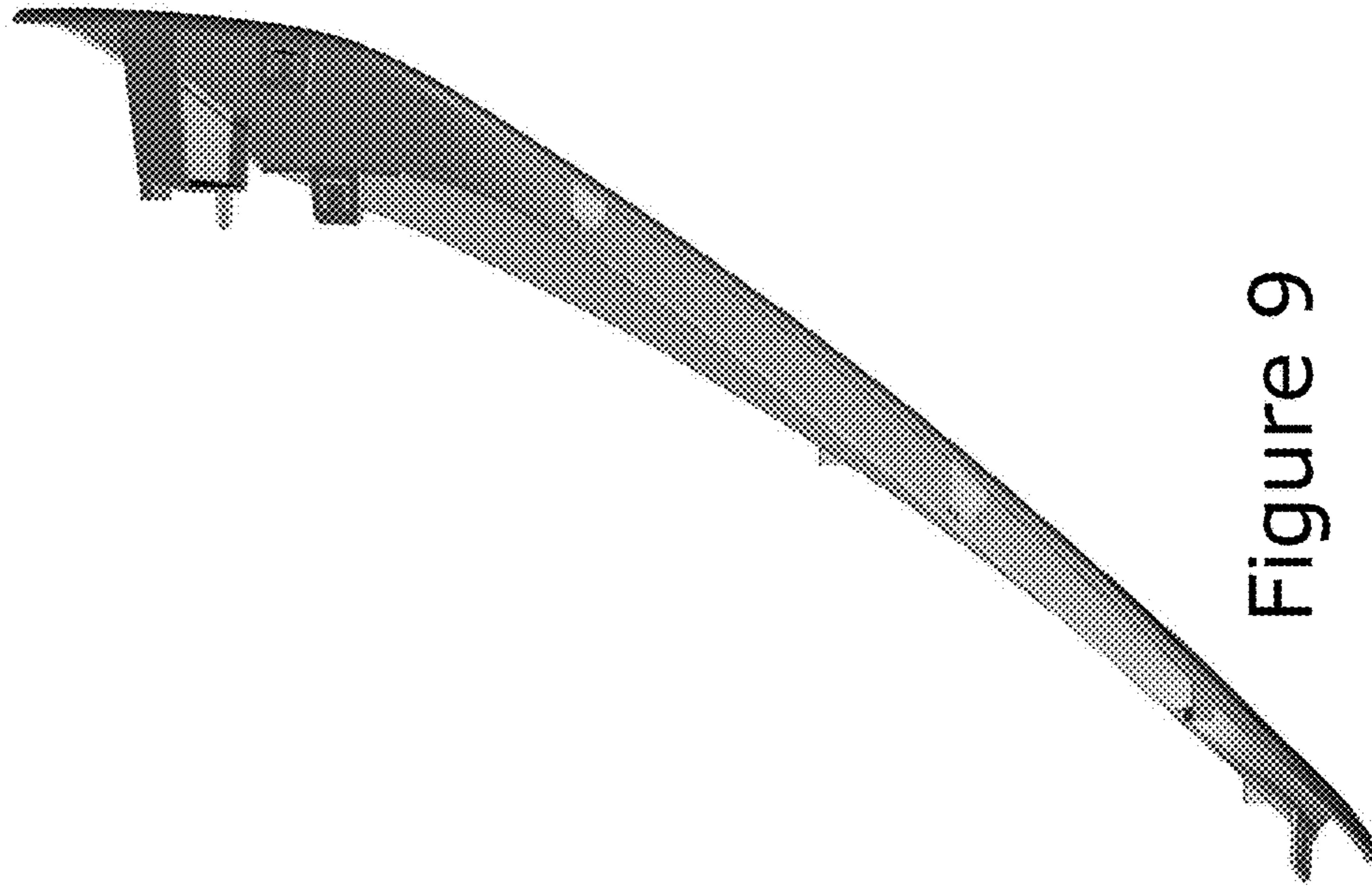


Figure 9