



US00D854231S

(12) **United States Design Patent**
Chen et al.

(10) **Patent No.:** **US D854,231 S**
(45) **Date of Patent:** **** Jul. 16, 2019**

(54) **LED MODULE**

DESCRIPTION

- (71) Applicant: **HANGZHOU HPWINNER OPTO CORPORATION**, Hangzhou (CN)
- (72) Inventors: **Kai Chen**, Hangzhou (CN); **Jianming Huang**, Hangzhou (CN)
- (73) Assignee: **HANGZHOU HPWINNER OPTO CORPORATION**, Hangzhou (CN)
- (**) Term: **15 Years**
- (21) Appl. No.: **29/577,026**
- (22) Filed: **Sep. 8, 2016**
- (30) **Foreign Application Priority Data**
Mar. 11, 2016 (CN) 2016 3 0068809
- (51) **LOC (11) Cl.** **26-05**
- (52) **U.S. Cl.**
USPC **D26/138; D26/120**
- (58) **Field of Classification Search**
USPC D26/76, 78, 79, 80, 81, 82, 83, 85, 86,
D26/88, 90, 93, 111, 113, 118, 119, 120,
(Continued)
- (56) **References Cited**
U.S. PATENT DOCUMENTS
D613,445 S * 4/2010 Beghelli D26/74
D675,372 S * 1/2013 Kim D26/138
(Continued)

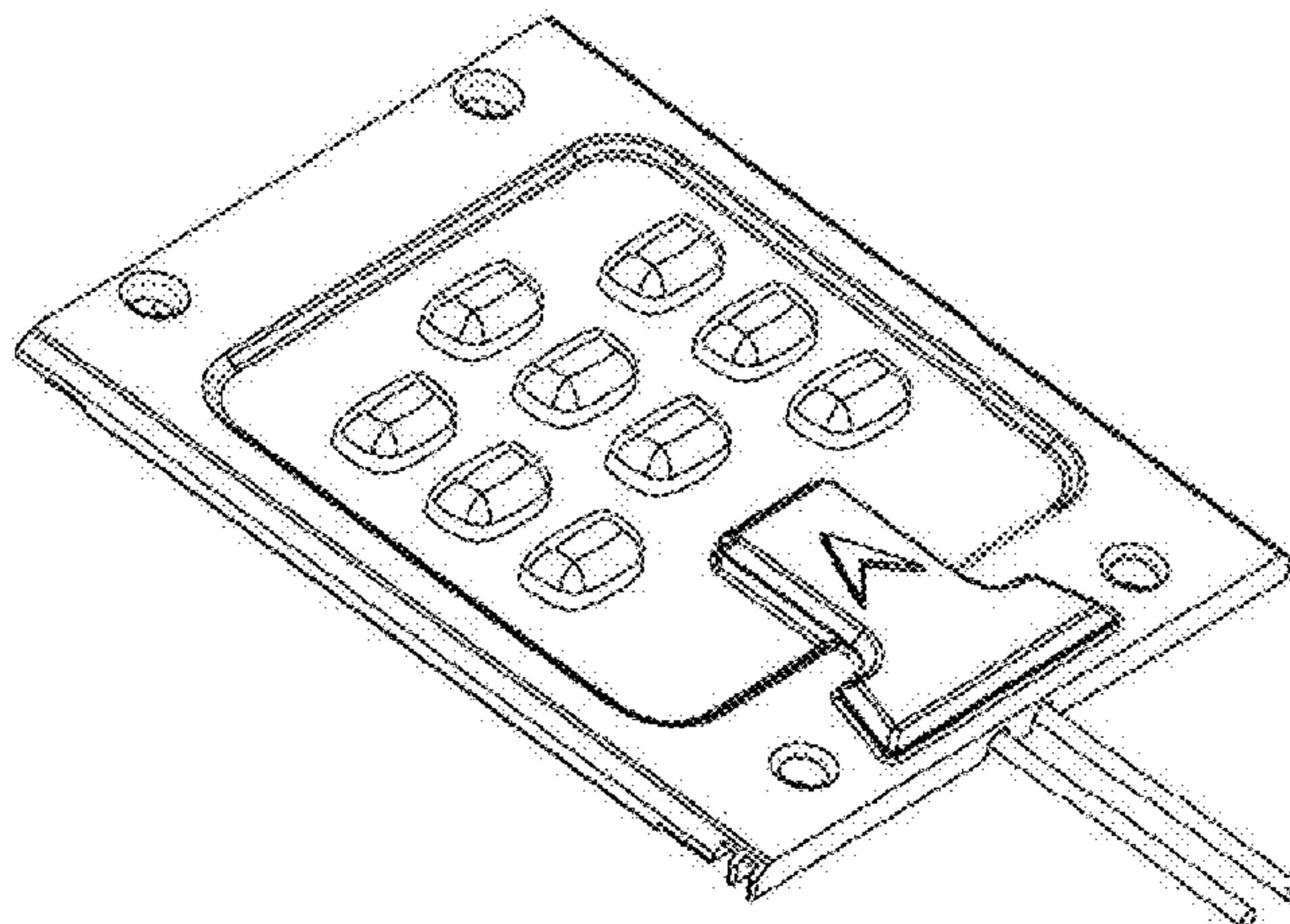
Primary Examiner — Natasha Vujcic
(74) *Attorney, Agent, or Firm* — Plumsea Law Group, LLC

(57) **CLAIM**

The ornamental design for LED module, as shown and described.

FIG. 1 is a front perspective view of a LED module showing the first embodiment;
 FIG. 2 is a rear perspective view of a LED module of FIG. 1;
 FIG. 3 is a front view of FIG. 1;
 FIG. 4 is a rear view of FIG. 1;
 FIG. 5 is a left side view of FIG. 1;
 FIG. 6 is a right side view of FIG. 1;
 FIG. 7 is a top plan view of FIG. 1;
 FIG. 8 is a bottom plan view of FIG. 1;
 FIG. 9 is a front perspective view of a LED module showing the second embodiment;
 FIG. 10 is a rear perspective view of a LED module of FIG. 9;
 FIG. 11 is a front view of FIG. 9;
 FIG. 12 is a rear view of FIG. 9;
 FIG. 13 is a left side view of FIG. 9;
 FIG. 14 is a right side view of FIG. 9;
 FIG. 15 is a top plan view of FIG. 9;
 FIG. 16 is a bottom plan view of FIG. 9;
 FIG. 17 is a front perspective view of a LED module showing the third embodiment;
 FIG. 18 is a rear perspective view of a LED module of FIG. 17;
 FIG. 19 is a front view of FIG. 17;
 FIG. 20 is a rear view of FIG. 17;
 FIG. 21 is a left side view of FIG. 17;
 FIG. 22 is a right side view of FIG. 17;
 FIG. 23 is a top plan view of FIG. 17;
 FIG. 24 is a bottom plan view of FIG. 17;
 FIG. 25 is a front perspective view of a LED module showing the fourth embodiment;
 FIG. 26 is a rear perspective view of a LED module of FIG. 25;
 FIG. 27 is a front view of FIG. 25;
 FIG. 28 is a rear view of FIG. 25;
 FIG. 29 is a left side view of FIG. 25;
 FIG. 30 is a right side view of FIG. 25;
 FIG. 31 is a top plan view of FIG. 25; and,
 FIG. 32 is a bottom plan view of FIG. 25;

1 Claim, 4 Drawing Sheets



(58) **Field of Classification Search**

USPC D26/121, 122, 138, 139, 140, 141, 142,
D26/152

CPC F21S 2/00; F21S 4/00; F21S 4/003; F21S
4/005; F21S 4/006; F21S 4/007; F21S
4/008; F21S 6/00; F21S 8/00; F21S
8/024; F21S 8/026; F21S 8/031; F21S
8/033; F21S 8/035-037; F21S 8/04; F21S
8/043; F21S 8/063

See application file for complete search history.

(56) **References Cited**

U.S. PATENT DOCUMENTS

D677,831	S	*	3/2013	Lin	D26/120
D700,987	S	*	3/2014	Nepple	D26/120
D710,926	S	*	8/2014	Li	D16/237
D736,988	S	*	8/2015	Chen	D26/120
D736,989	S	*	8/2015	Chen	D26/120
D736,990	S	*	8/2015	Chen	D26/120
D736,991	S	*	8/2015	Chen	D26/120
D736,992	S	*	8/2015	Chen	D26/120
D737,501	S	*	8/2015	Chen	D26/120
D739,566	S	*	9/2015	Chen	D26/1
D823,530	S	*	7/2018	Chen	D26/120
D823,531	S	*	7/2018	Chen	D26/120
D823,532	S	*	7/2018	Chen	D26/120
2009/0290345	A1	*	11/2009	Shaner	F21K 9/00 362/249.01

* cited by examiner

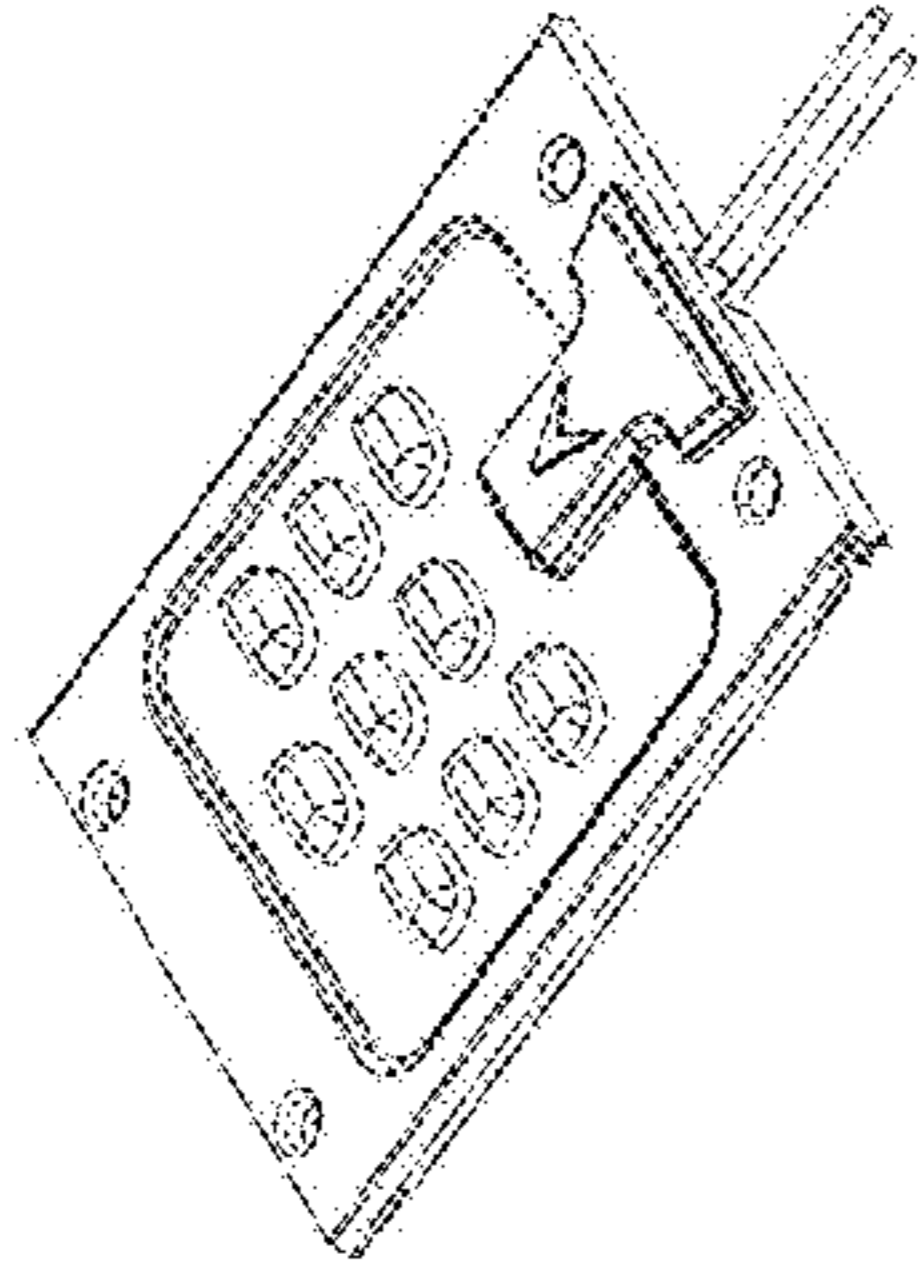


Fig. 1

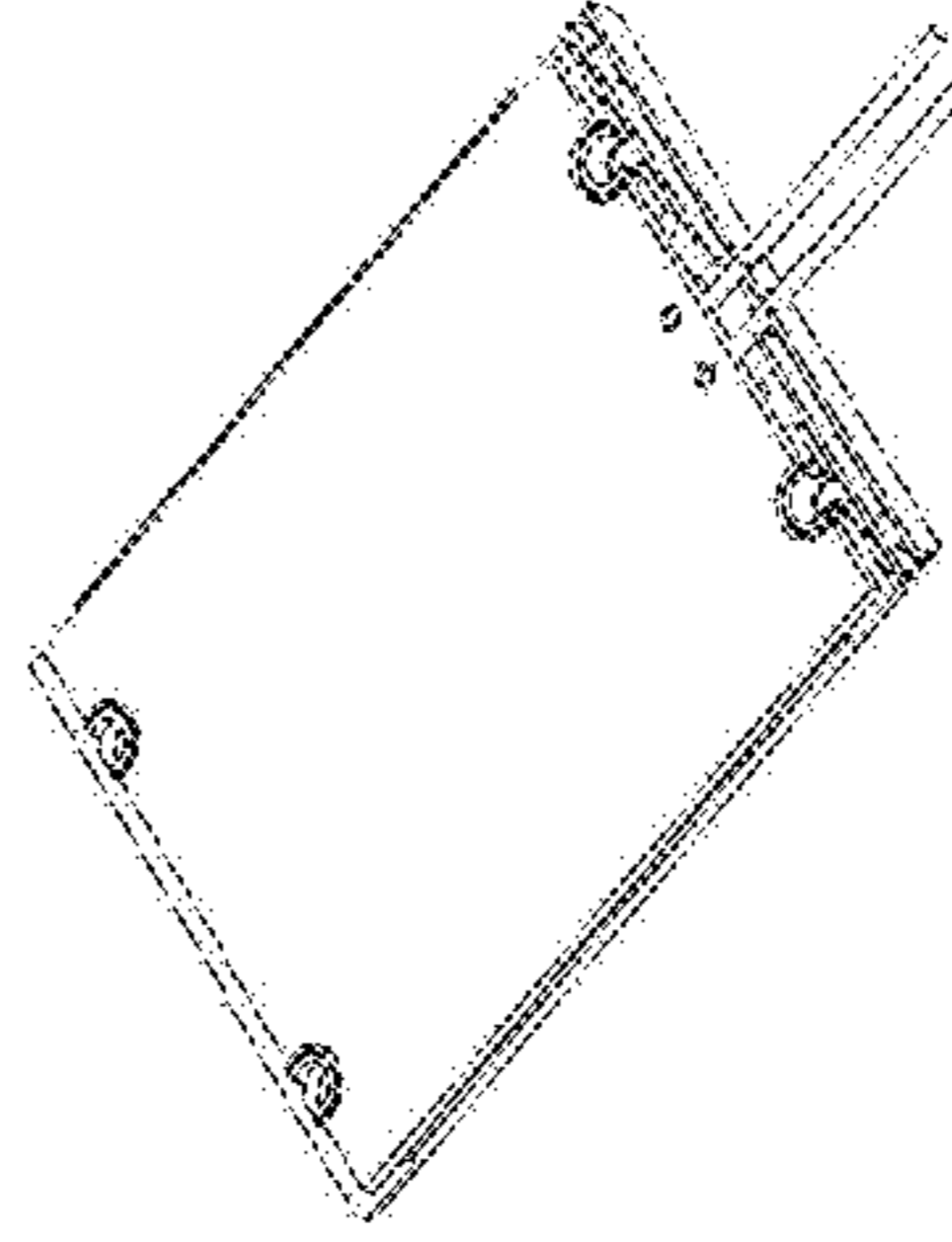


Fig. 2

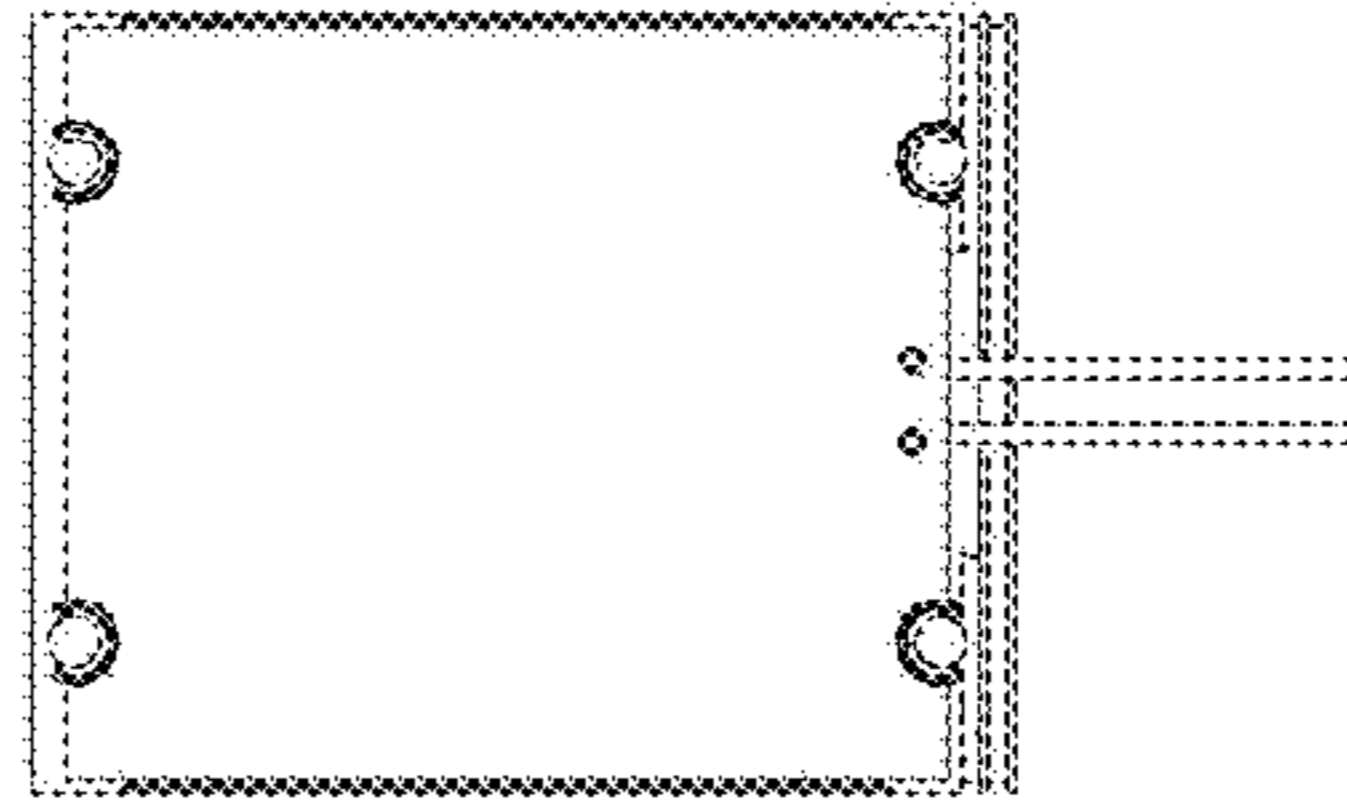


Fig. 3

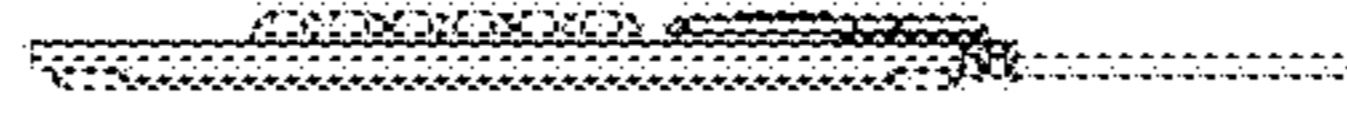


Fig. 4

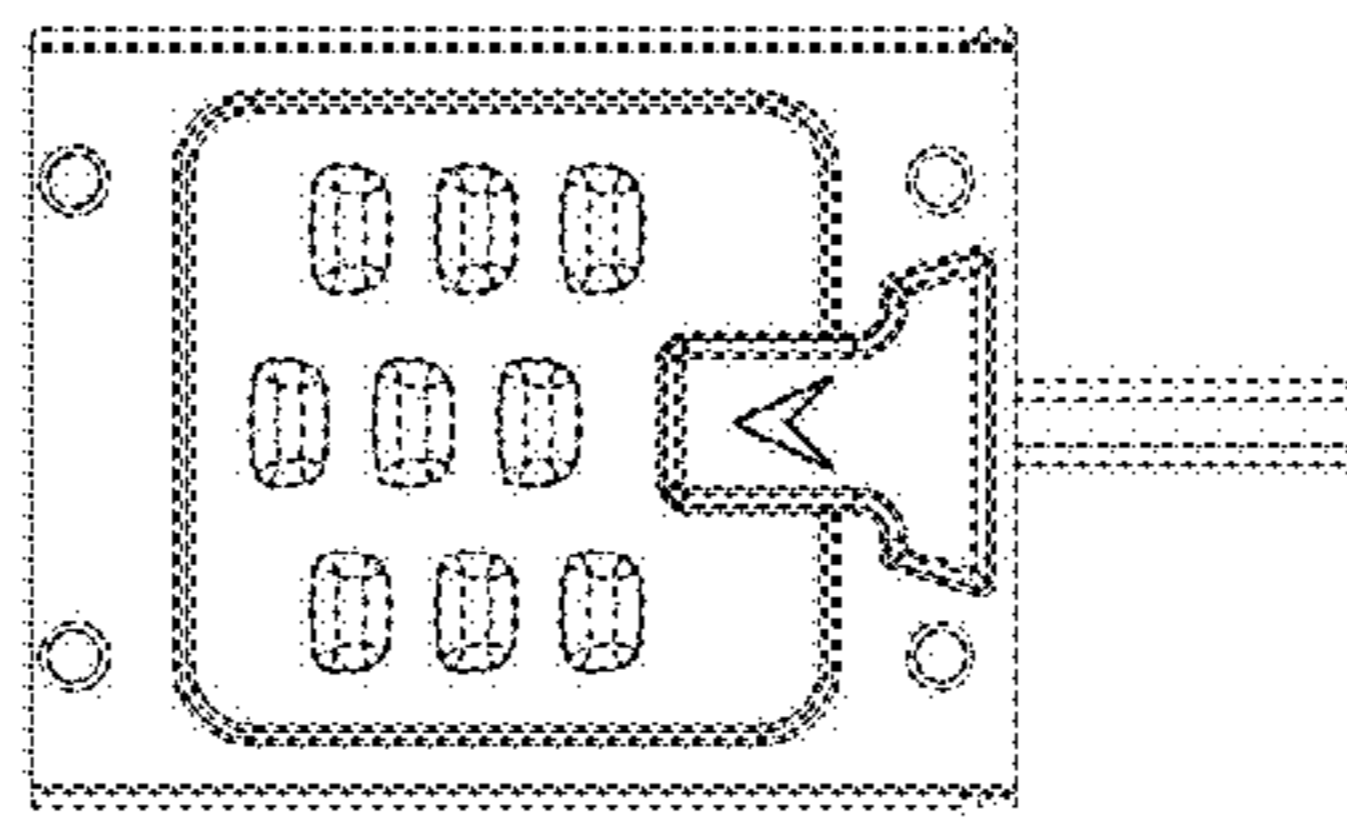


Fig. 5

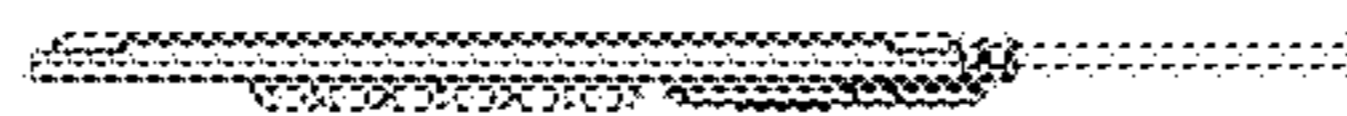


Fig. 6



Fig. 7

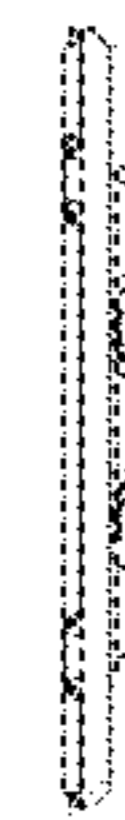


Fig. 8

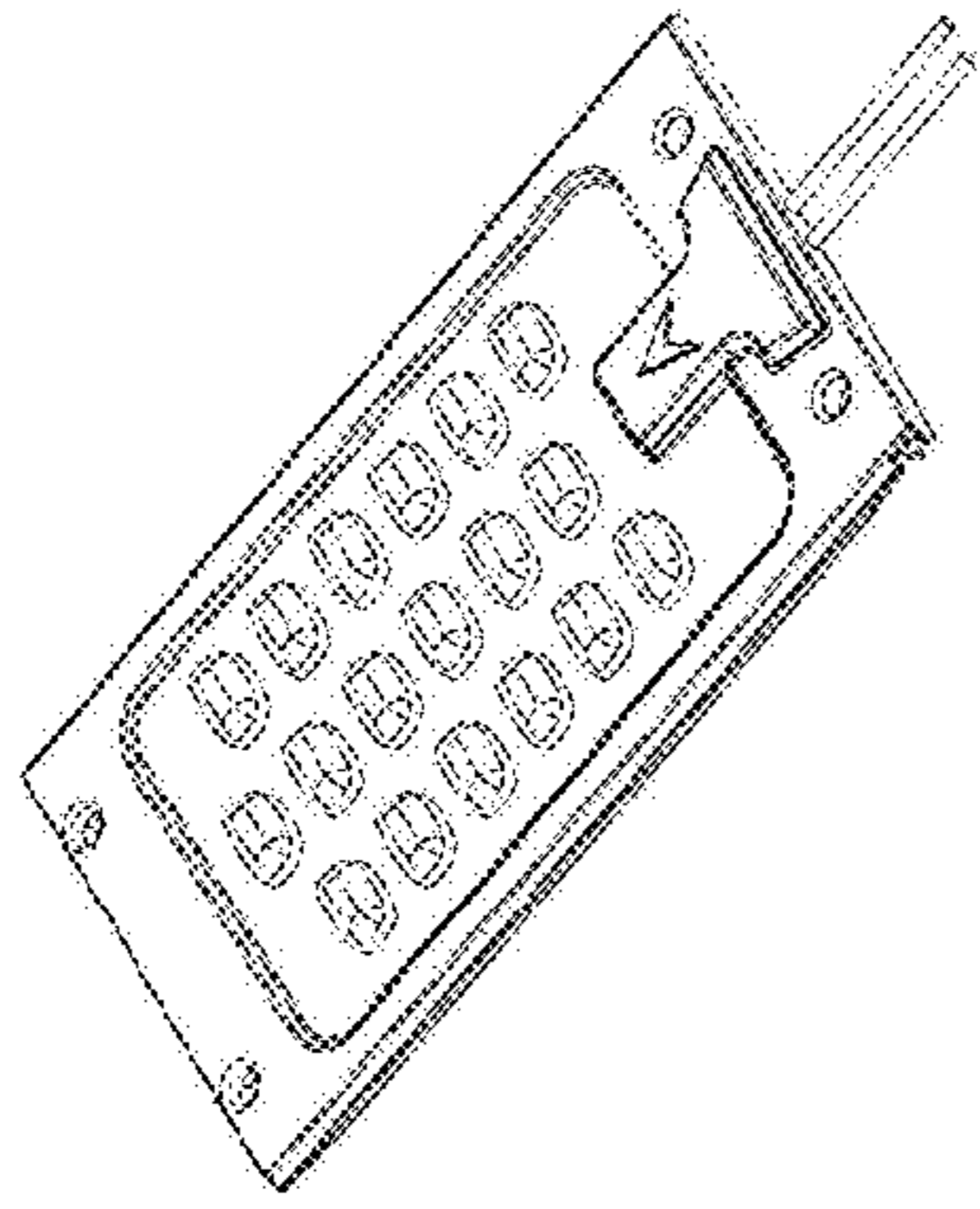


Fig. 9

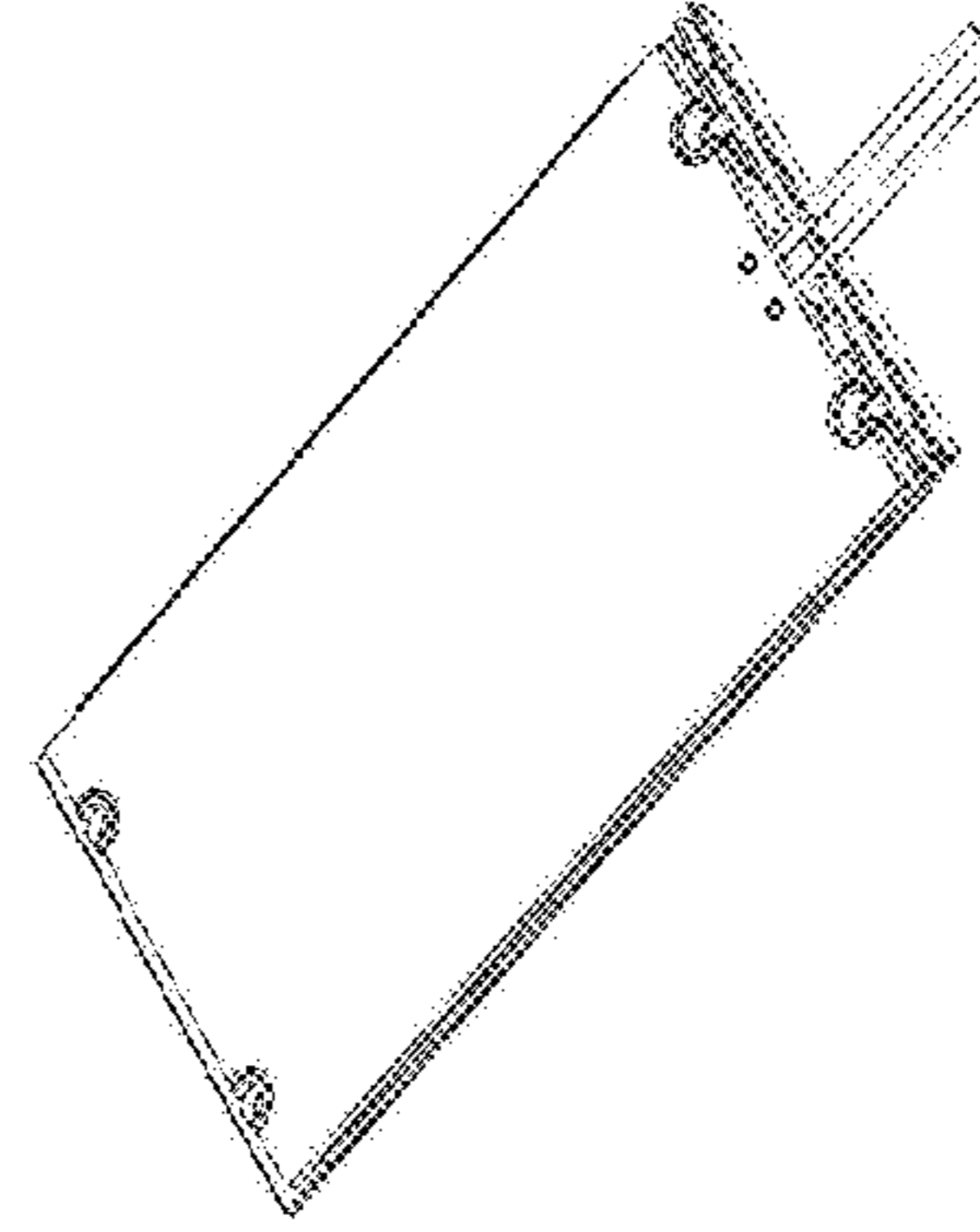


Fig. 10



Fig. 12

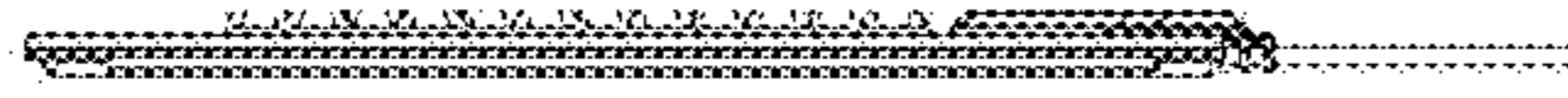


Fig. 13



Fig. 16

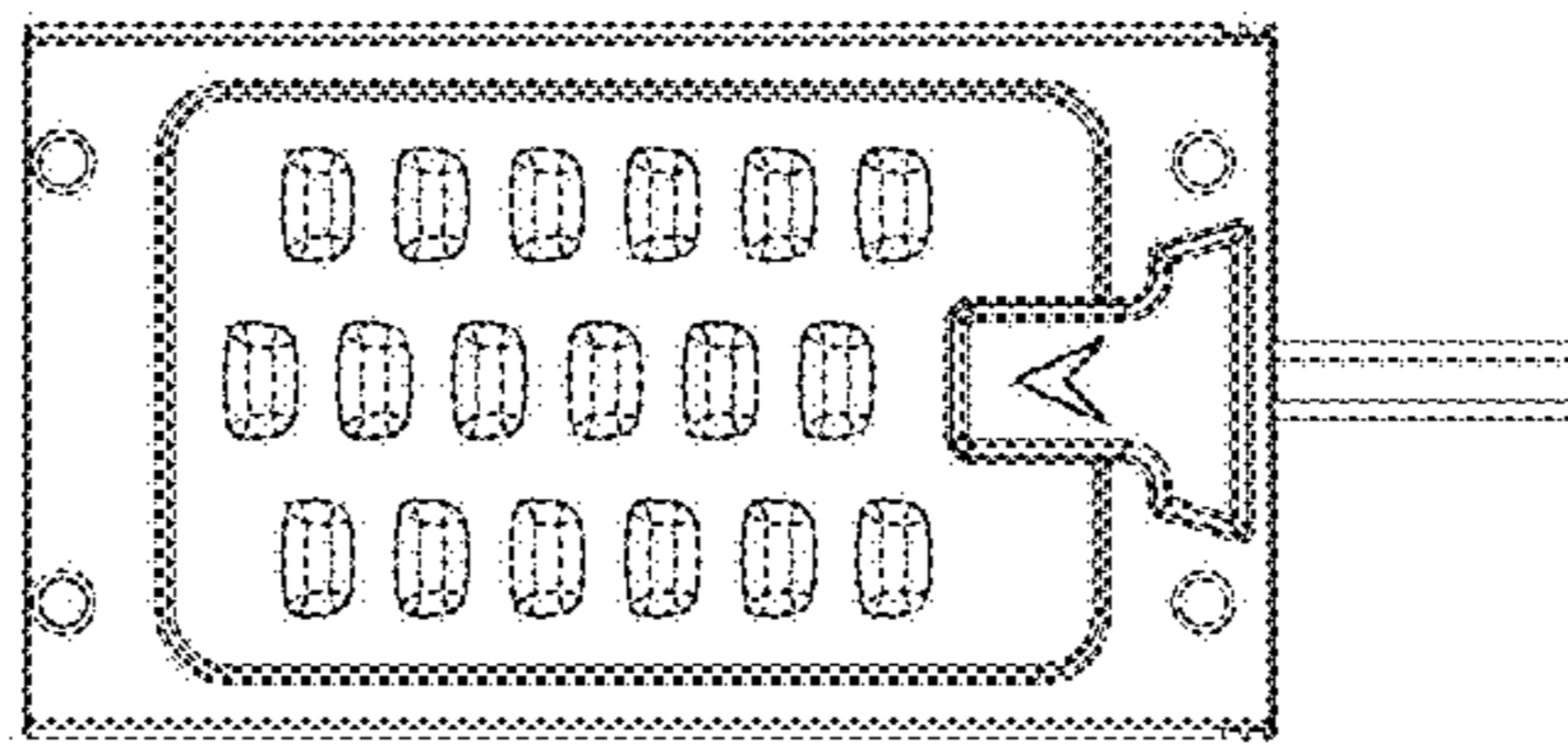


Fig. 11



Fig. 15

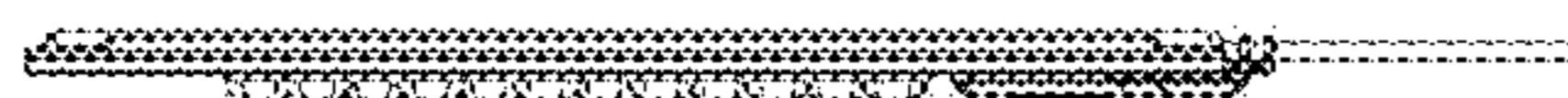


Fig. 14

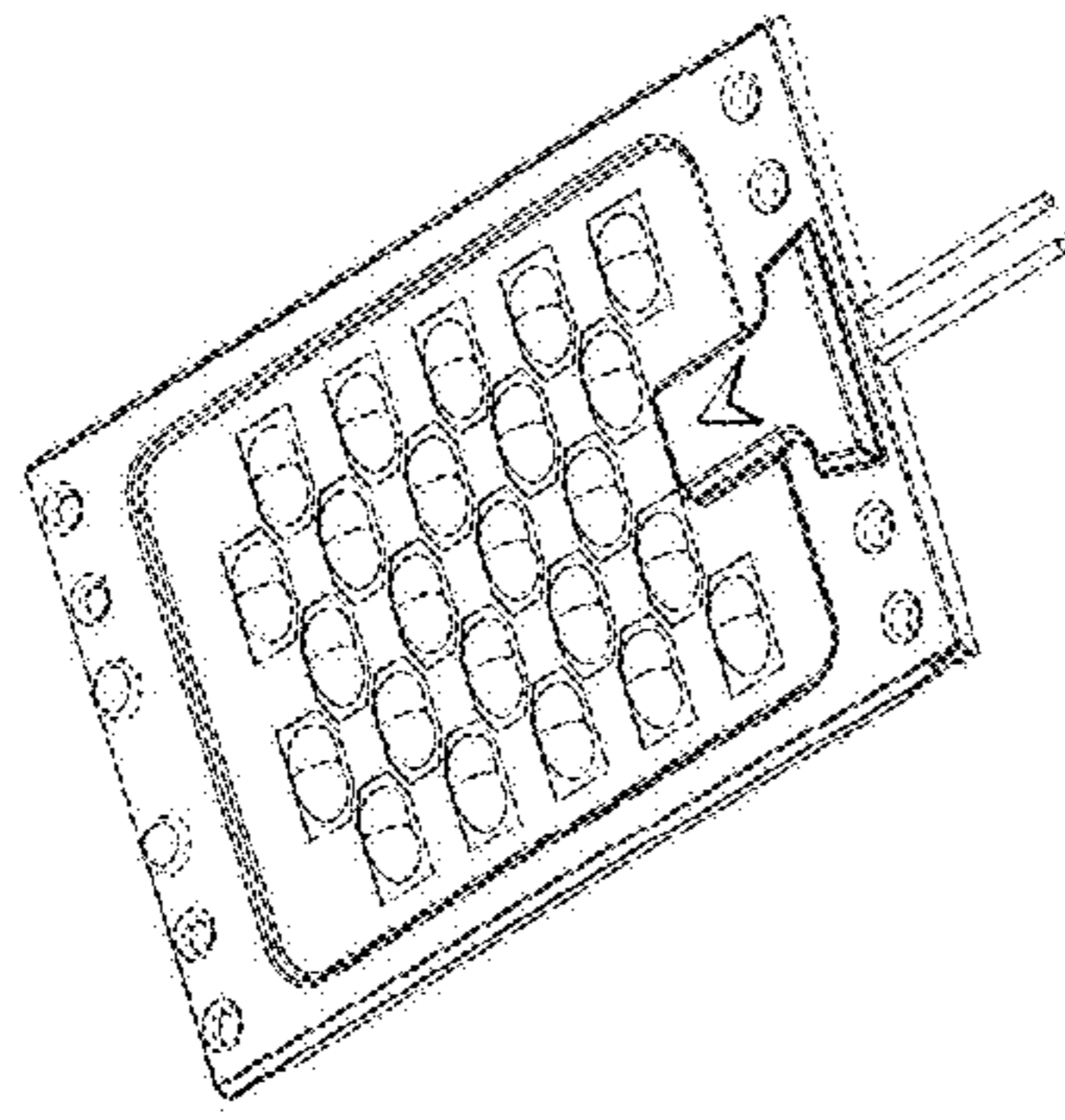


Fig. 17

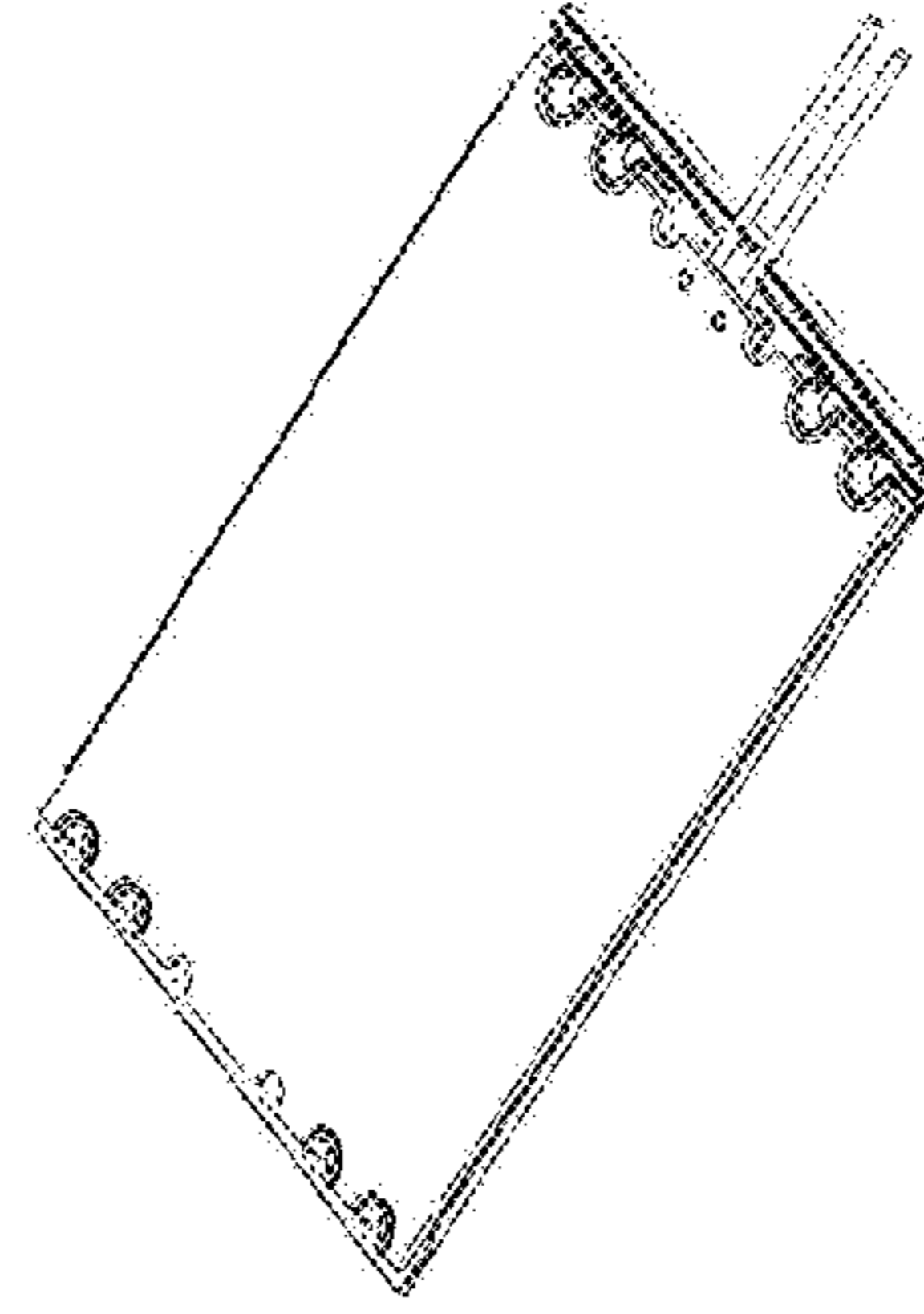


Fig. 18

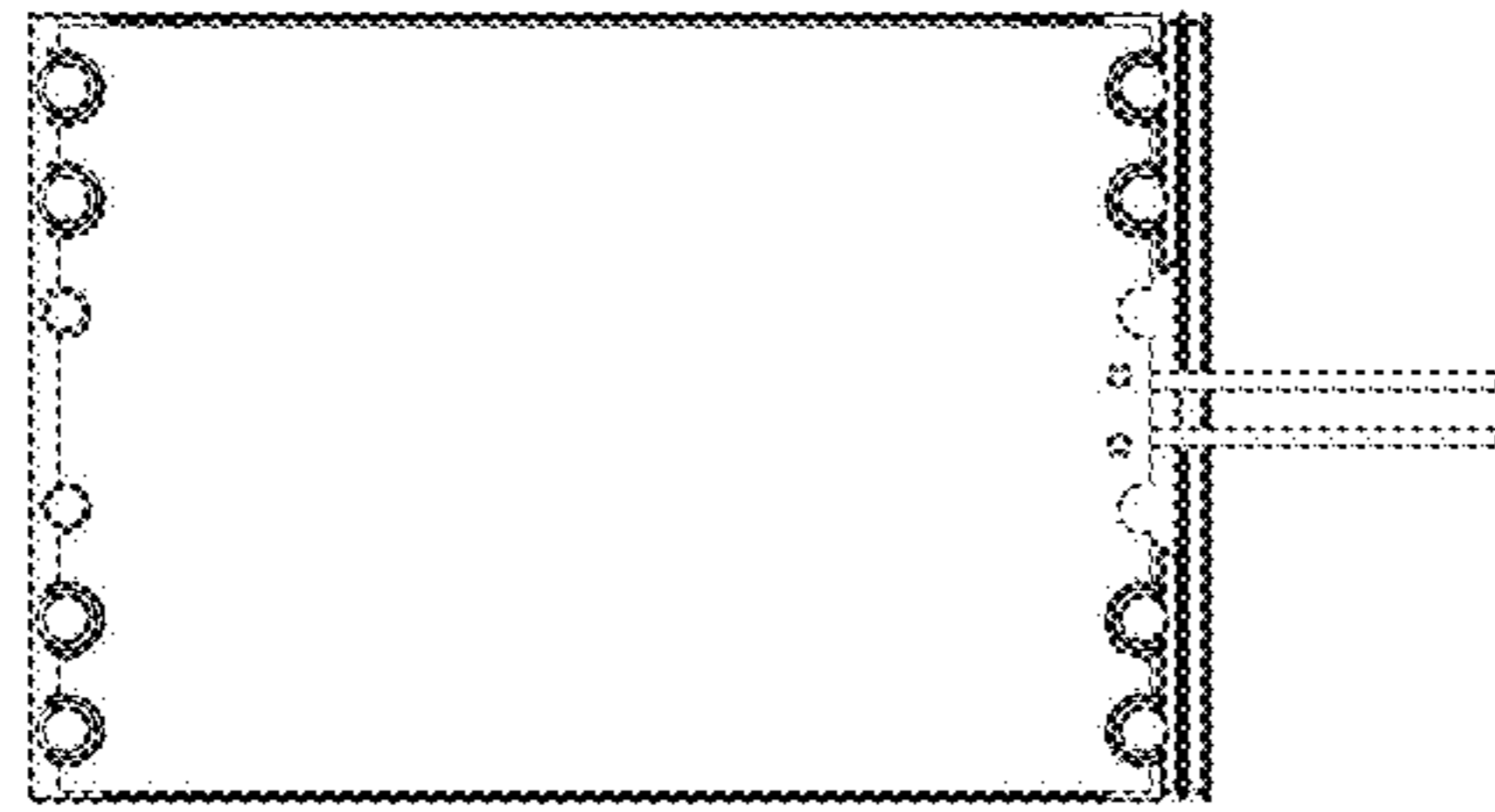


Fig. 20

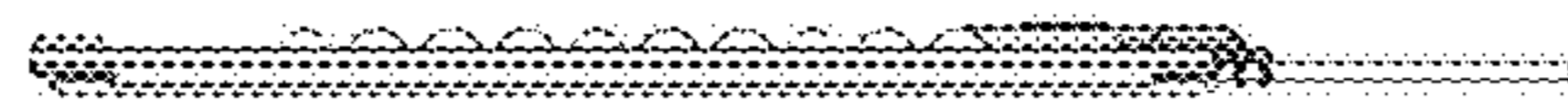


Fig. 21



Fig. 24

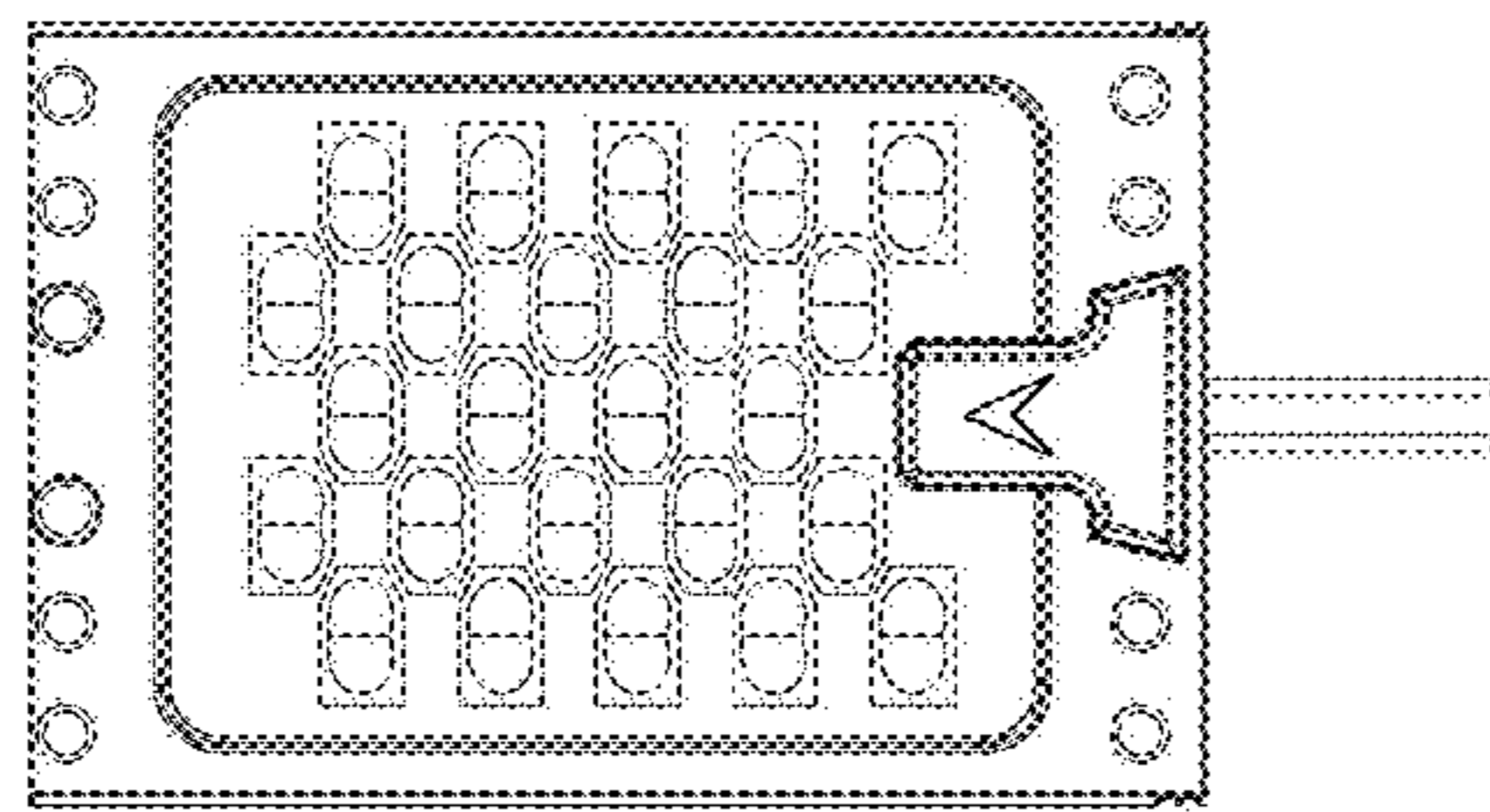


Fig. 19

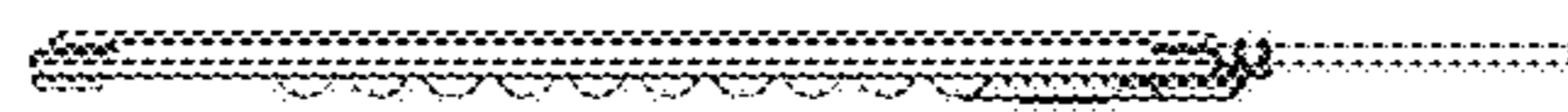


Fig. 22



Fig. 23

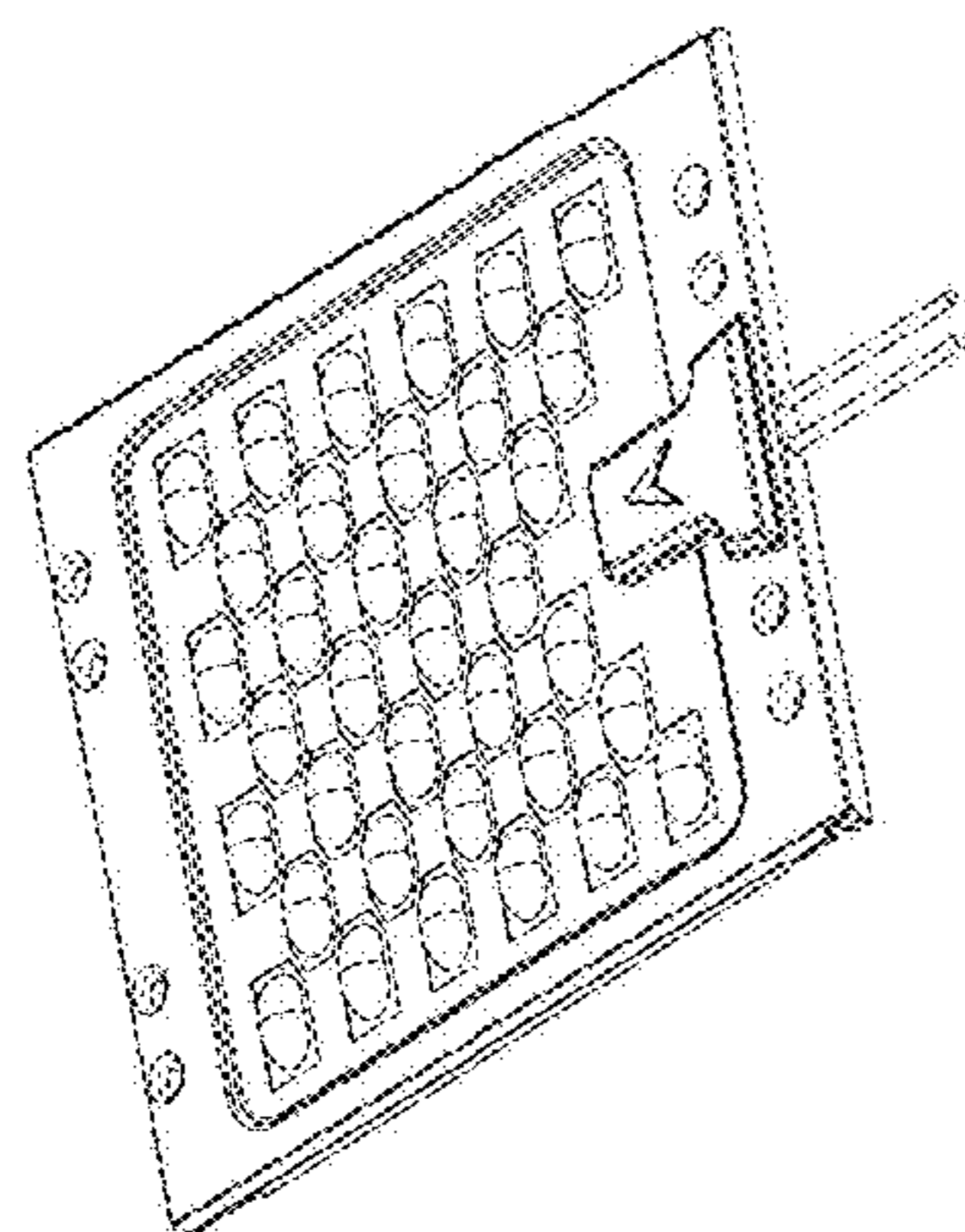


Fig. 25

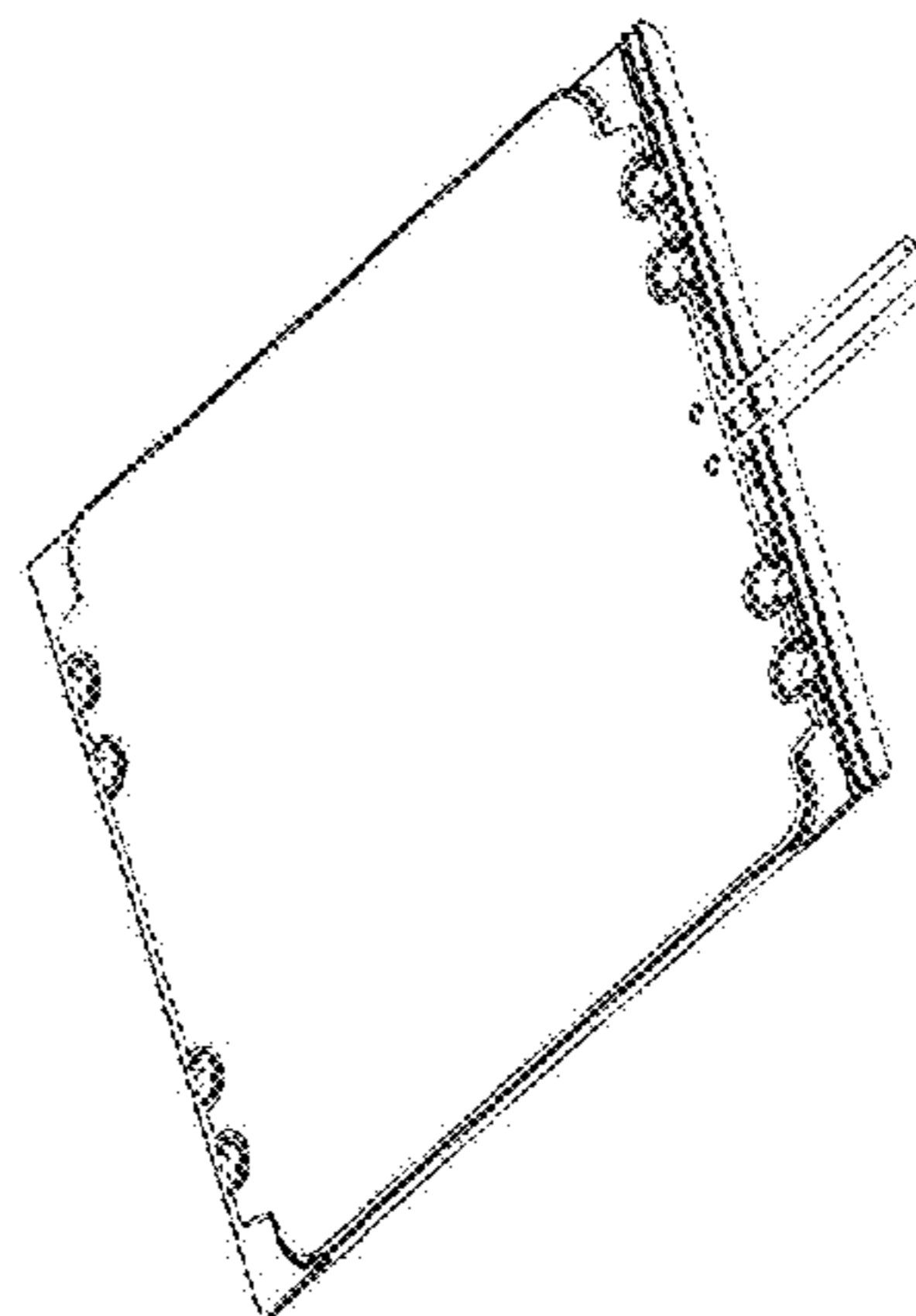


Fig. 26

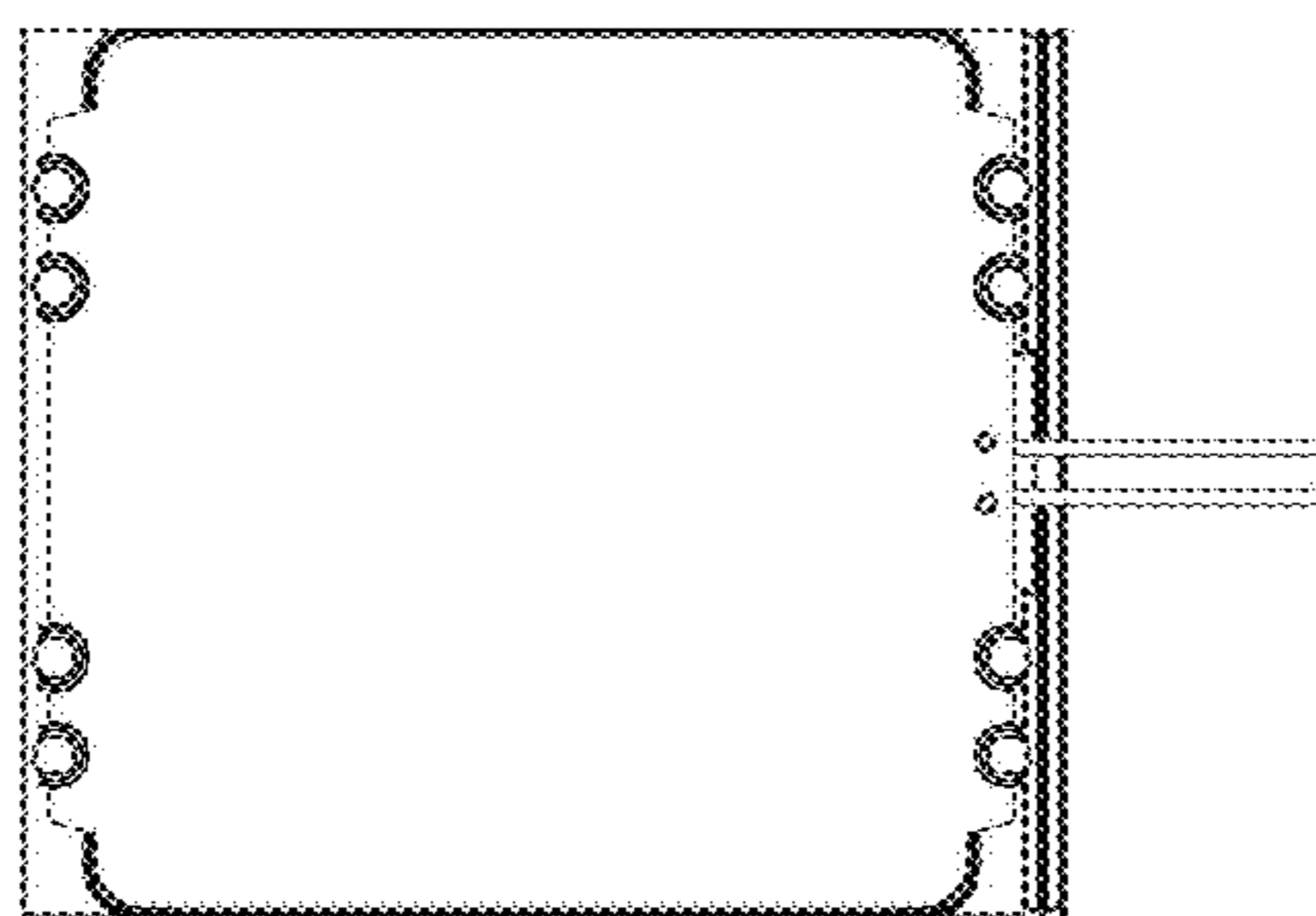


Fig. 28

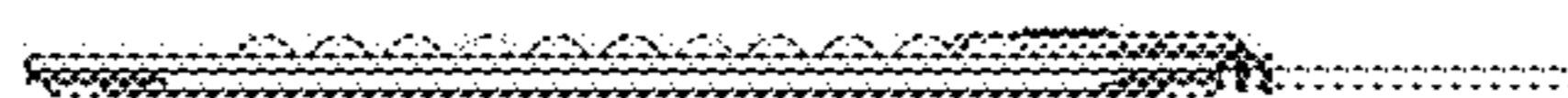


Fig. 29



Fig. 32

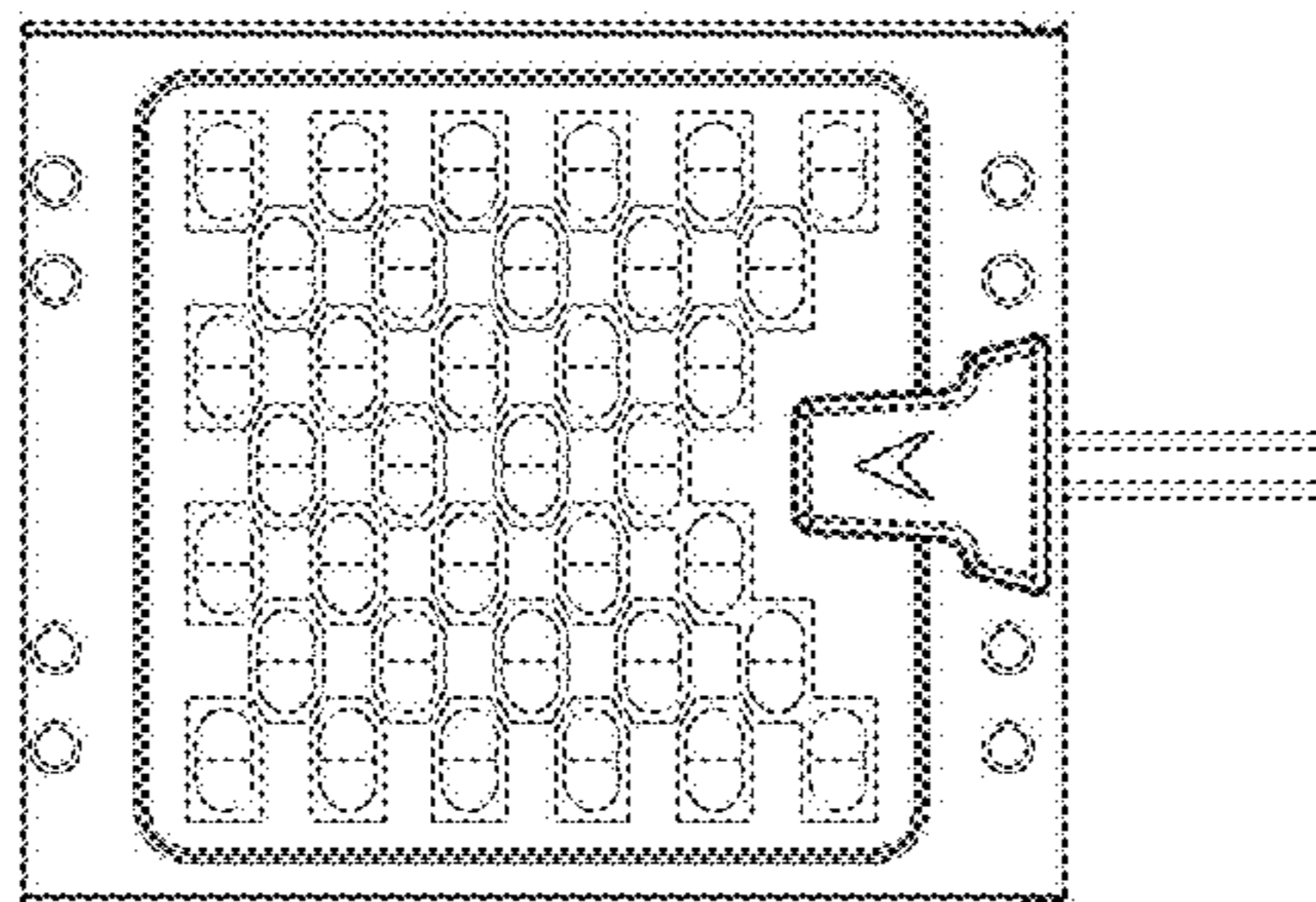


Fig. 27

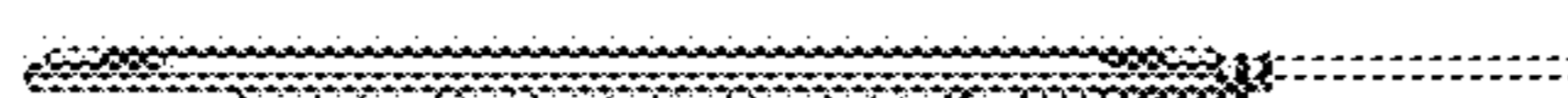


Fig. 30

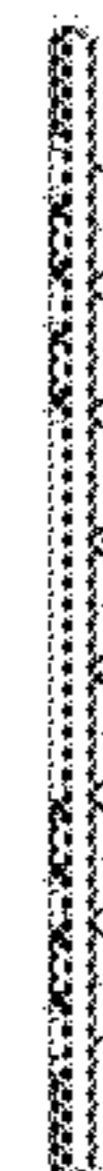


Fig. 31