



US00D854230S

(12) **United States Design Patent**
Paredes et al.

(10) **Patent No.:** **US D854,230 S**

(45) **Date of Patent:** **** Jul. 16, 2019**

(54) **SECURITY LIGHT**

(71) Applicant: **HeathCo LLC**, Bowling Green, KY (US)

(72) Inventors: **Apollo Paul Paredes**, Livonia, MI (US); **Leeman Elliot Stevens**, Bowling Green, KY (US); **Amer Salihovic**, Bowling Green, KY (US); **Scott Blaise Tylicki**, Bowling Green, KY (US)

(73) Assignee: **HEATHCO LLC**, Bowling Green, KY (US)

(**) Term: **15 Years**

(21) Appl. No.: **29/627,097**

(22) Filed: **Nov. 22, 2017**

(51) **LOC (11) Cl.** **26-99**

(52) **U.S. Cl.**
USPC **D26/118**

(58) **Field of Classification Search**
USPC D26/24, 51, 61, 63, 65, 72, 80, 118, 120, D26/128

CPC F21S 8/04; F21S 8/00; F21V 21/00; F21V 17/02; F21V 14/02; F21V 21/30; F21V 21/14; F21V 21/26; F21W 2131/10

See application file for complete search history.

(56) **References Cited**

U.S. PATENT DOCUMENTS

D670,022 S * 10/2012 Green D26/128
D708,388 S * 7/2014 Lee D26/120

D759,291 S * 6/2016 Chen D26/120
D761,474 S * 7/2016 Chen D26/65
D764,700 S * 8/2016 Chen D26/118
D781,481 S * 3/2017 Chen D26/65
D784,589 S * 4/2017 Chen D26/65
D804,075 S * 11/2017 Fang D26/65
D821,021 S * 6/2018 Chen D26/120

* cited by examiner

Primary Examiner — Brian N. Vinson

(74) *Attorney, Agent, or Firm* — Middleton Reutlinger

(57) **CLAIM**

The ornamental design for a security light, as shown and described.

DESCRIPTION

FIG. 1 is a front, bottom, and left side perspective view of a security light showing our new design;

FIG. 2 is a rear perspective view of the security light design of FIG. 1;

FIG. 3 is a front view of the security light design of FIG. 1;

FIG. 4 is a rear view of the security light design of FIG. 1;

FIG. 5 is a top view of the security light design of FIG. 1;

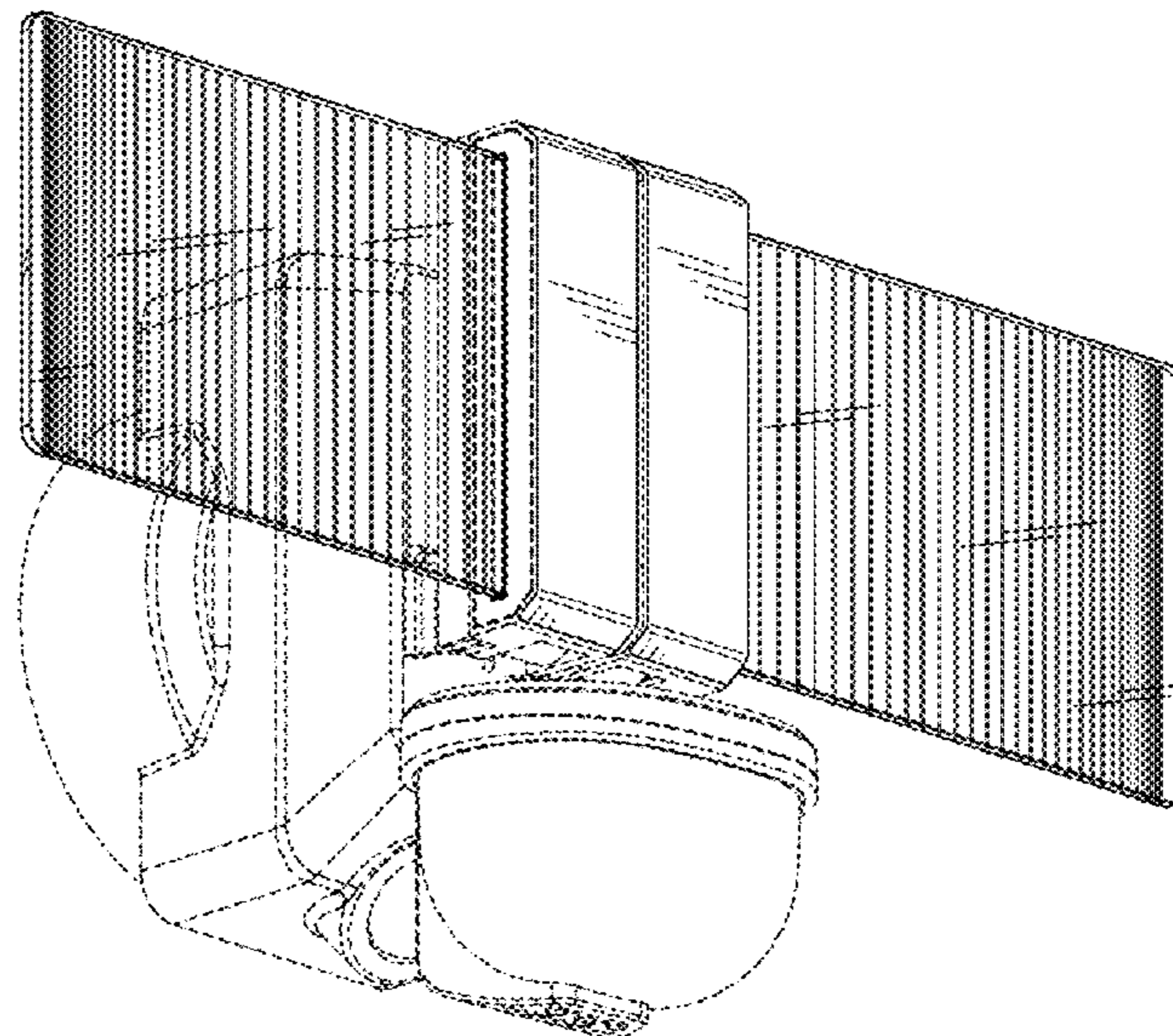
FIG. 6 is a bottom view of the security light design of FIG. 1;

FIG. 7 is a left side view of the security light design of FIG. 1; and,

FIG. 8 is a right side view of the security light design of FIG. 1.

The broken line disclosure represents portions of the security light which form no part of the claimed design.

1 Claim, 8 Drawing Sheets



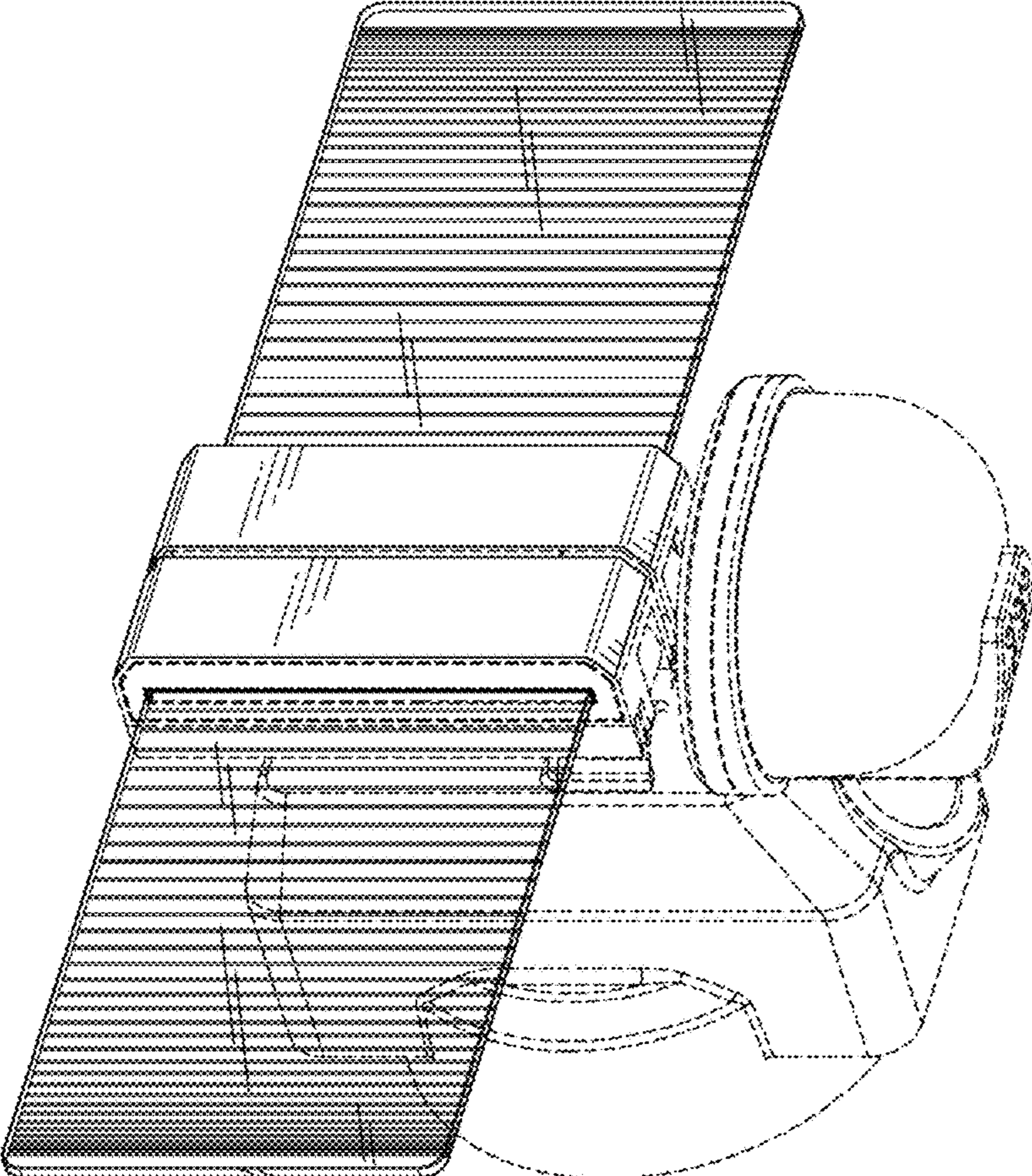


FIG. 1

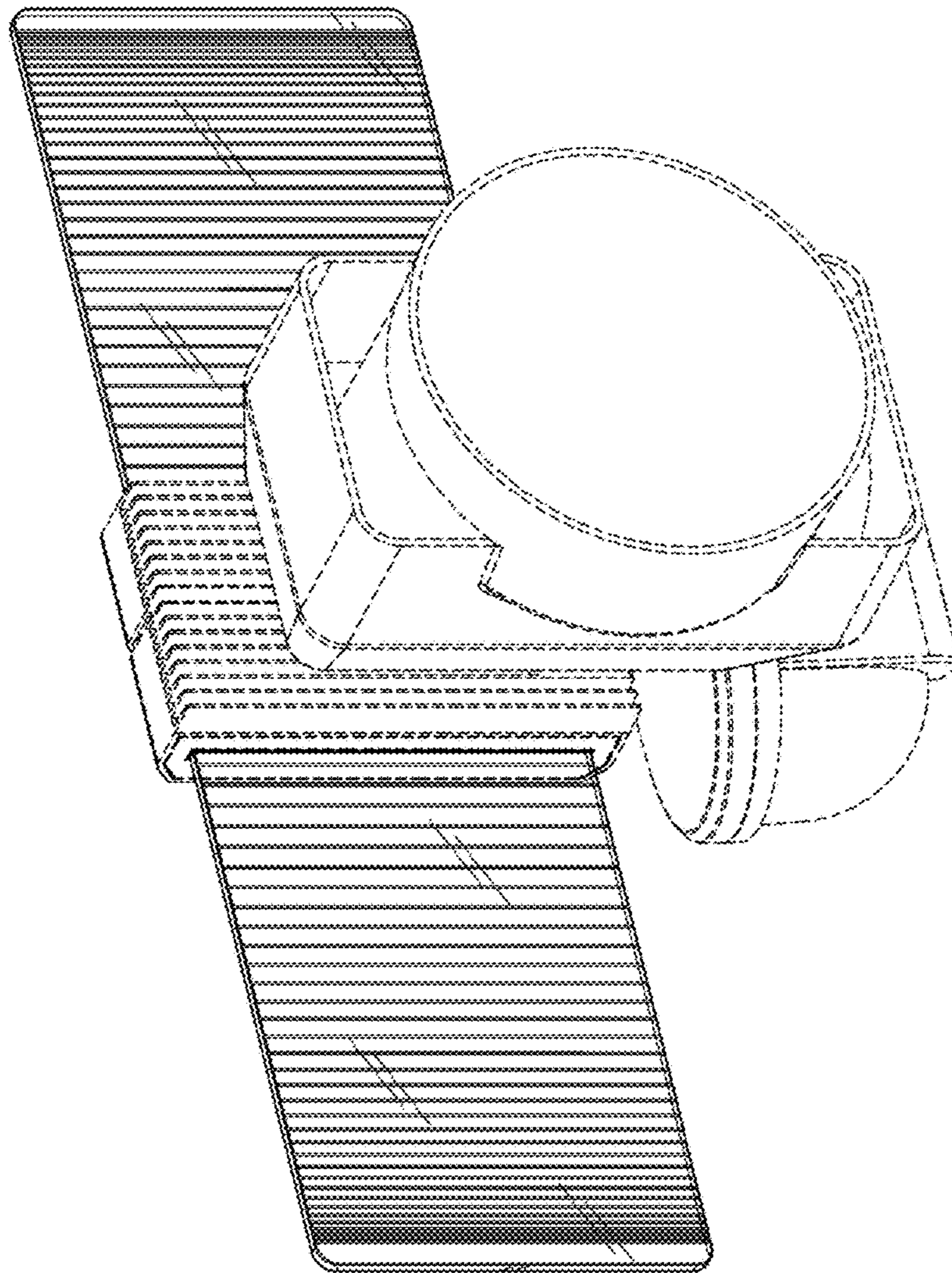


FIG. 2

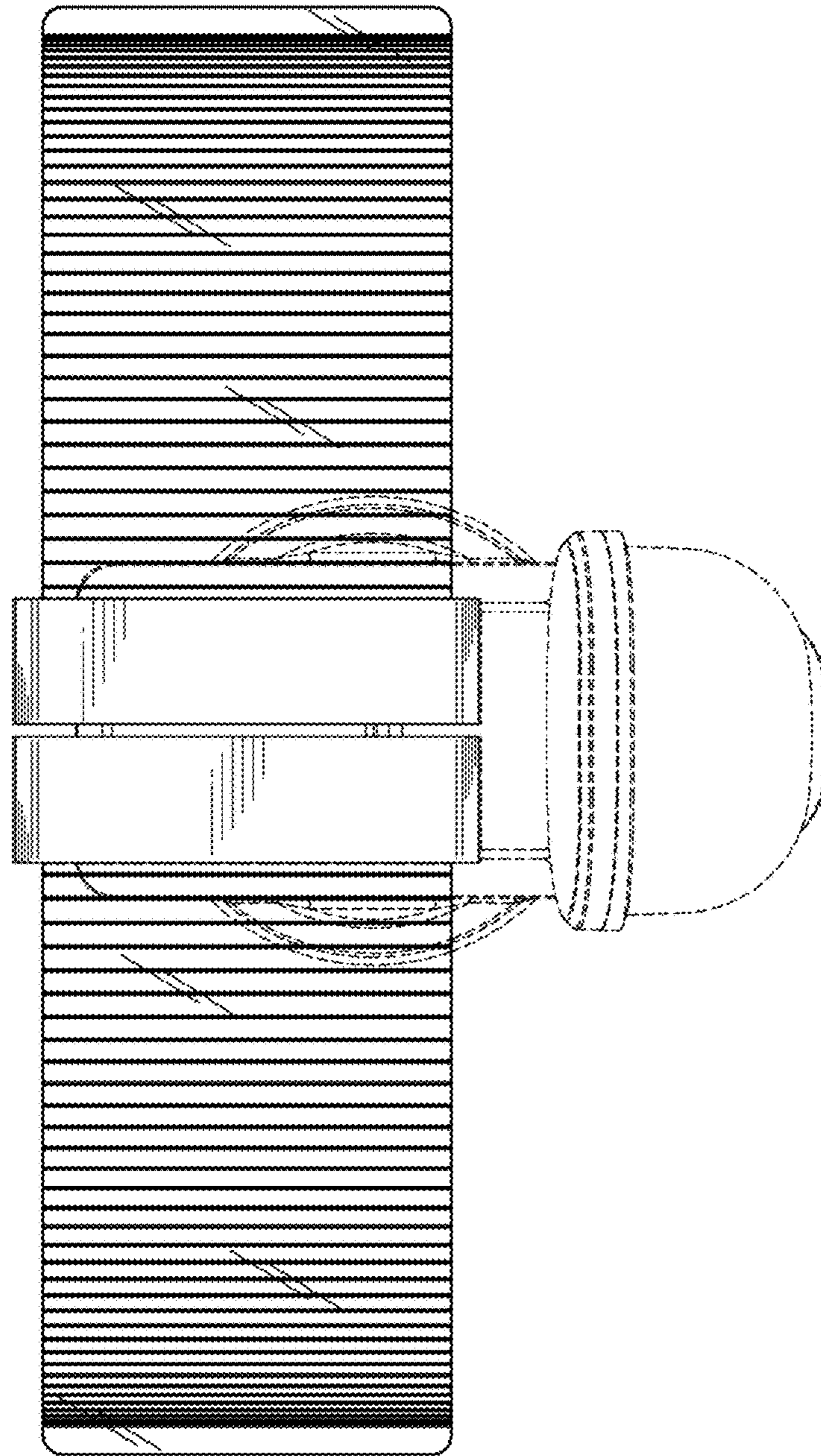


FIG. 3

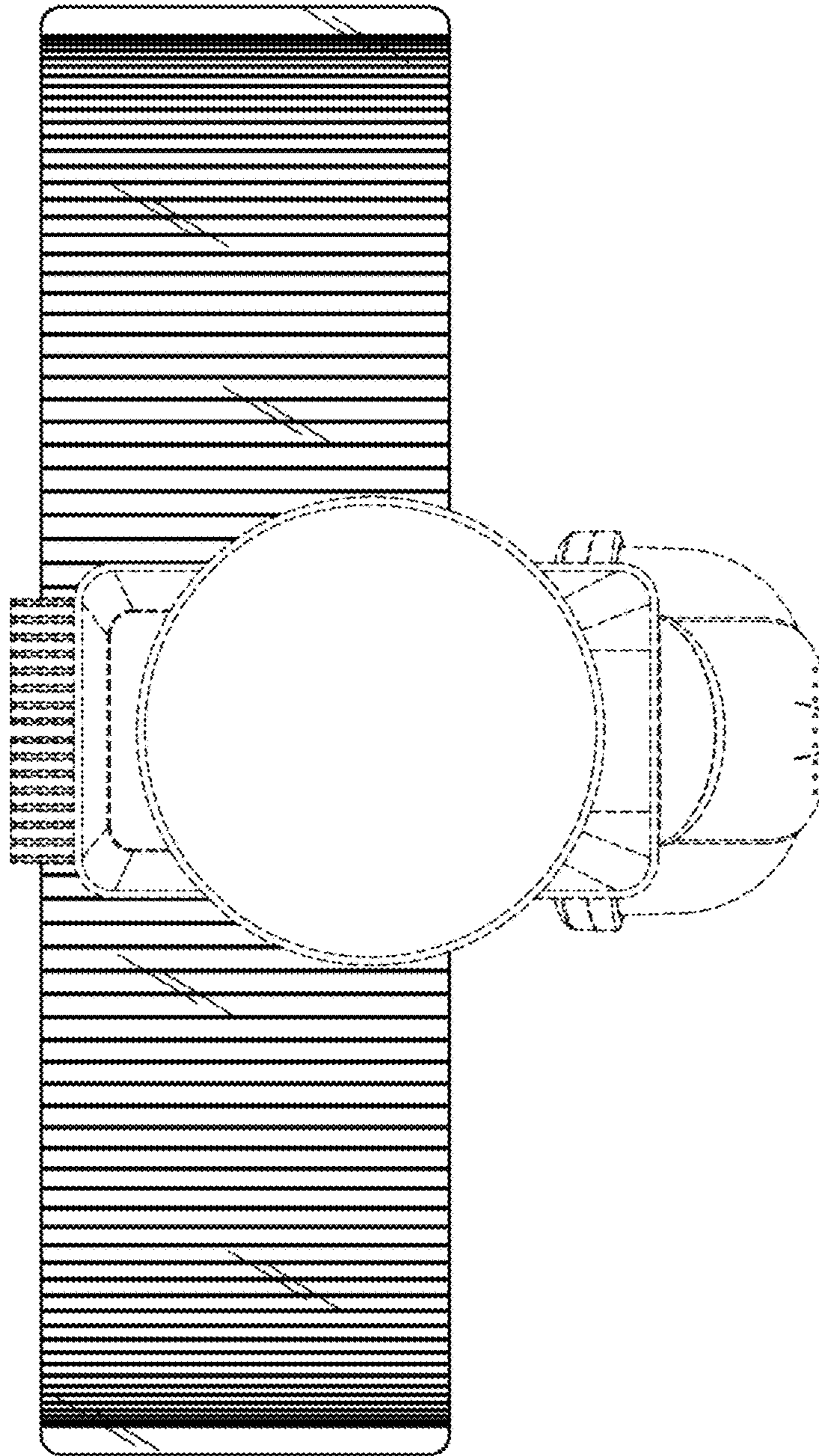


FIG. 4

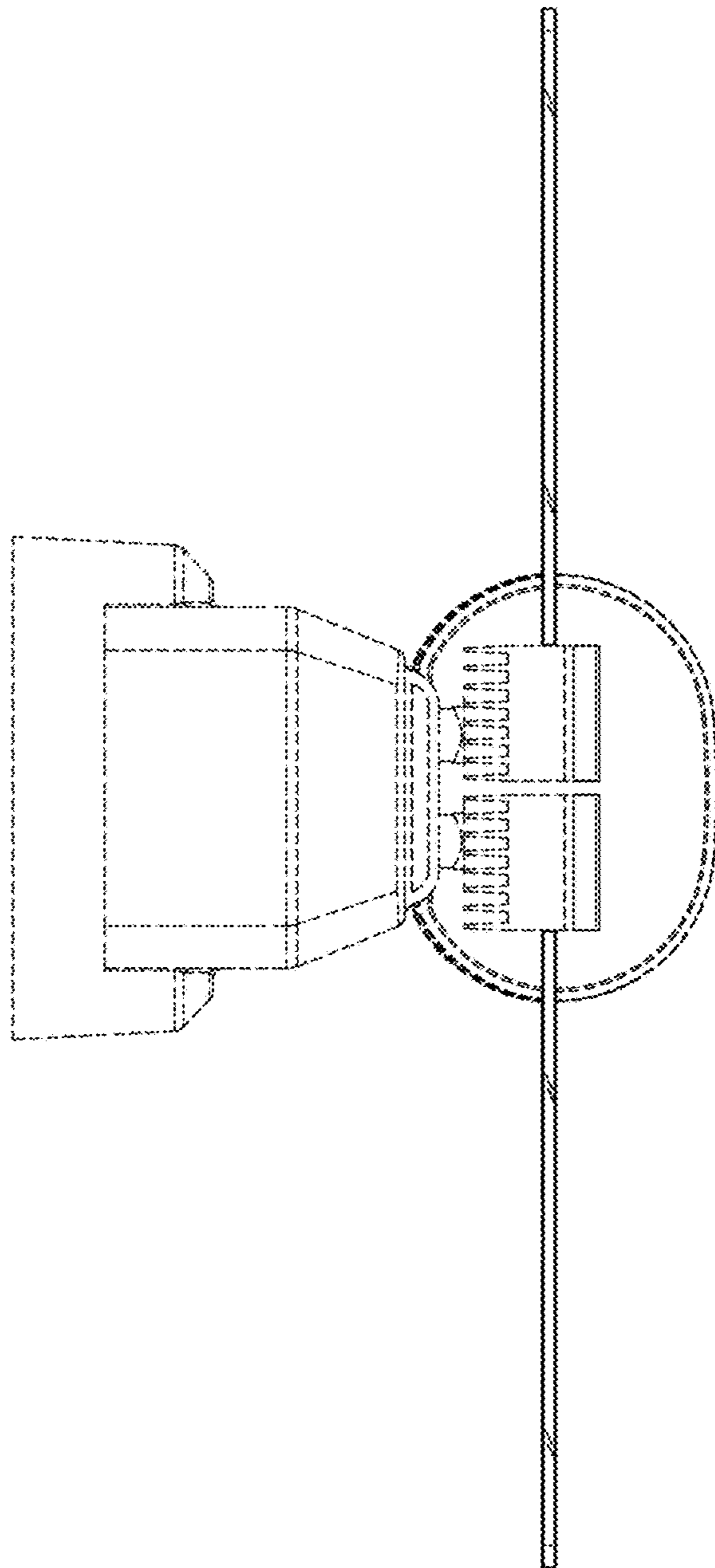


FIG. 5

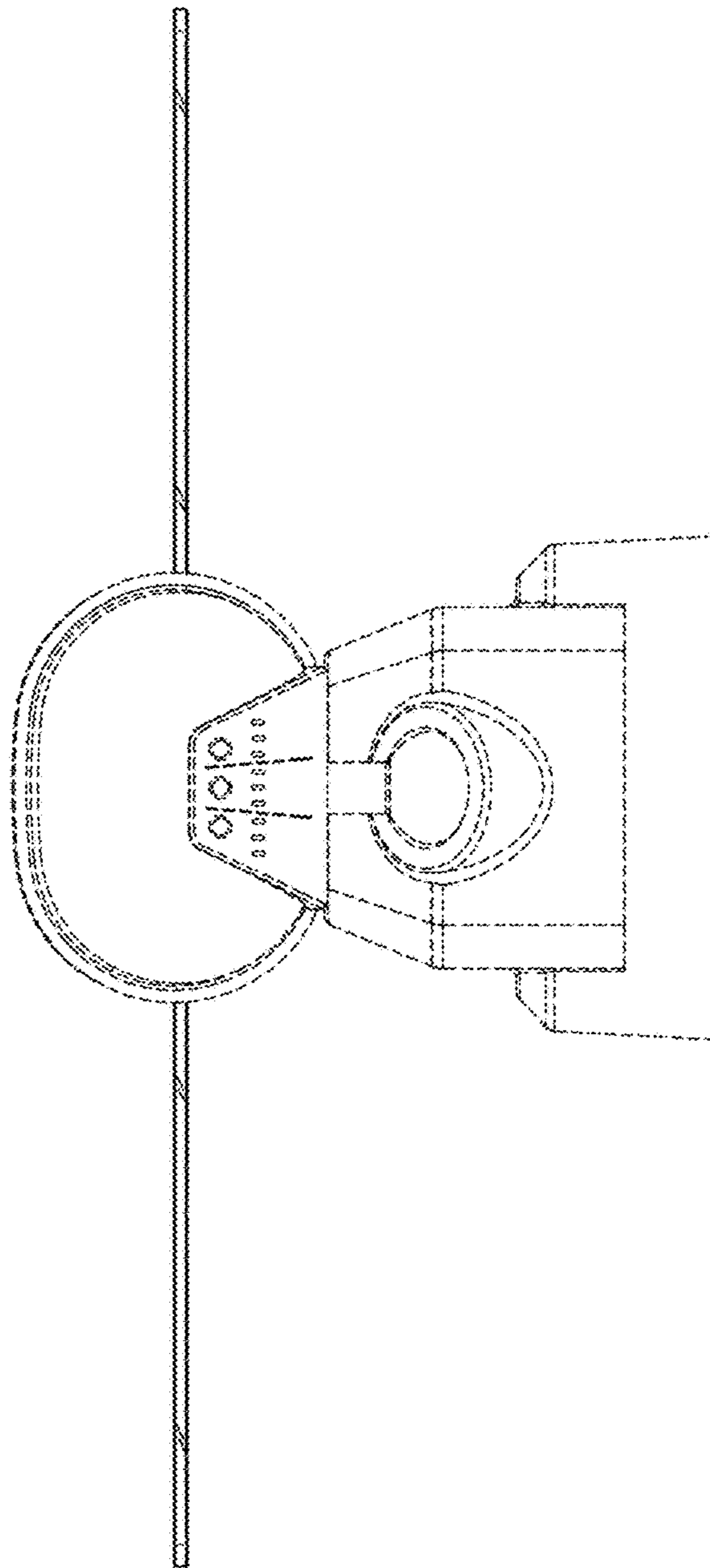


FIG. 6

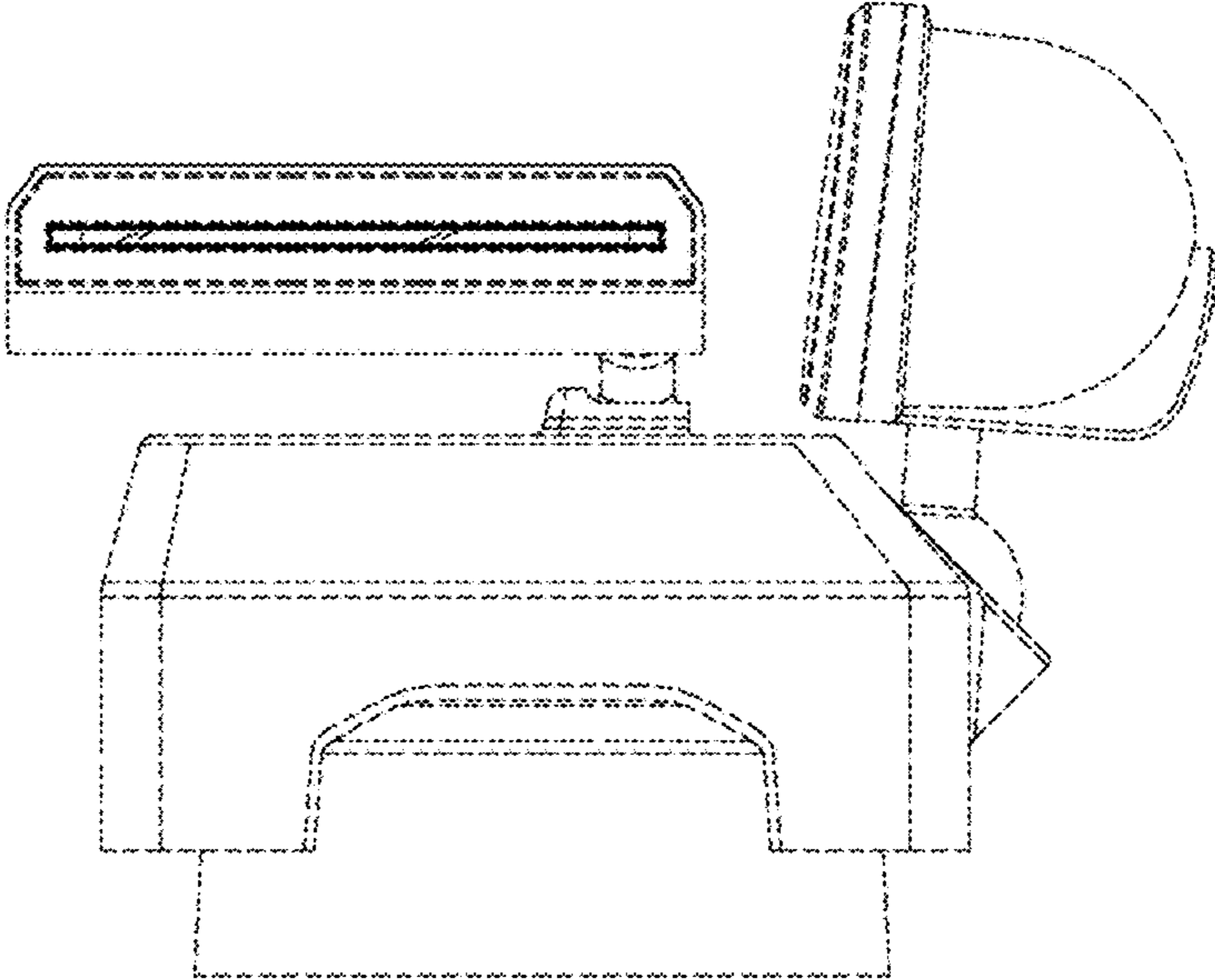


FIG. 7

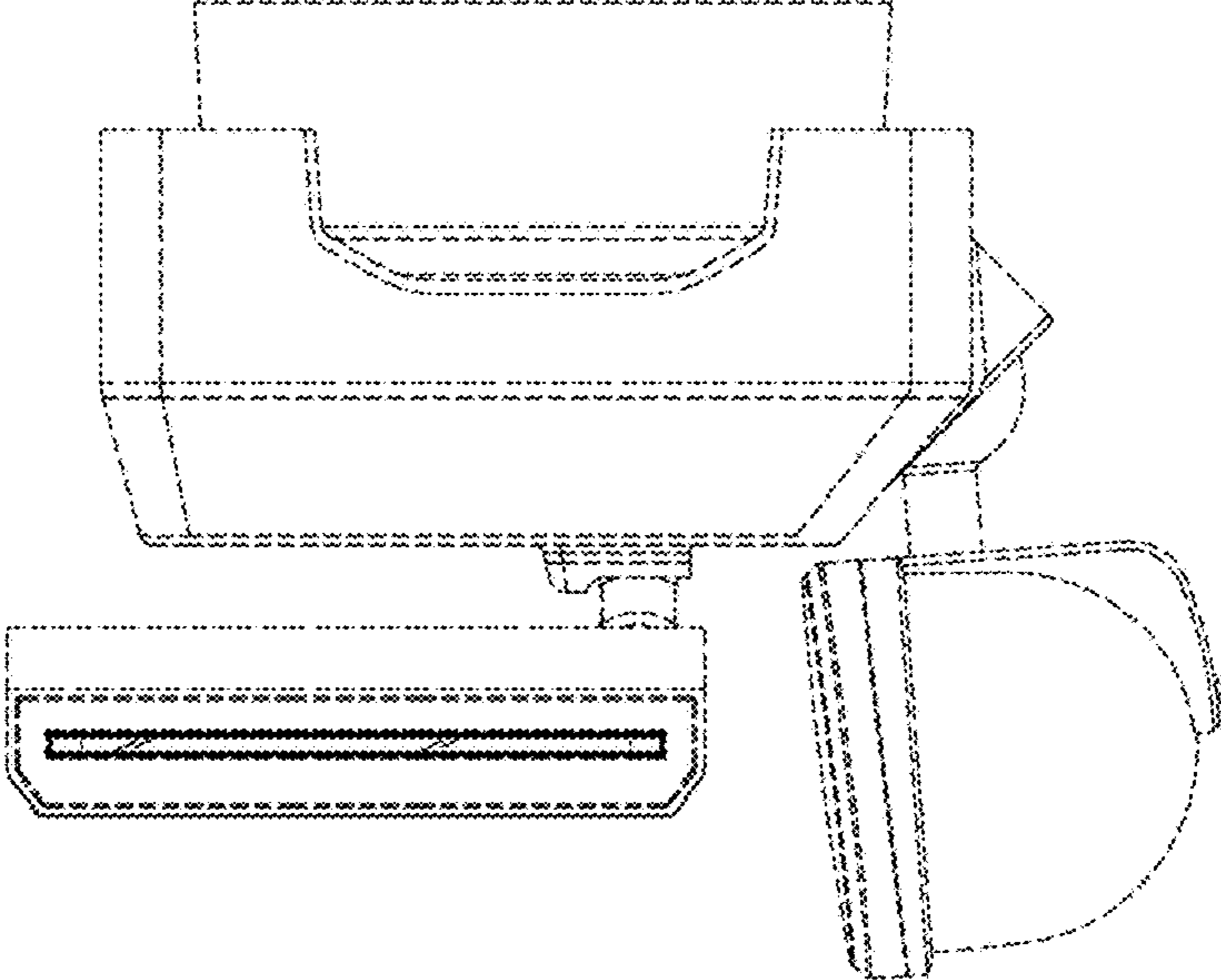


FIG. 8