



US00D854228S

(12) **United States Design Patent** (10) **Patent No.:** **US D854,228 S**
Yu (45) **Date of Patent:** **** Jul. 16, 2019**

(54) **LED HOUSING**

(71) Applicant: **Chung Han Yu**, City of Industry, CA (US)

(72) Inventor: **Chung Han Yu**, City of Industry, CA (US)

(**) Term: **15 Years**

(21) Appl. No.: **29/611,502**

(22) Filed: **Jul. 21, 2017**

(51) **LOC (11) Cl.** **26-03**

(52) **U.S. Cl.**
USPC **D26/113; D26/92**

(58) **Field of Classification Search**
USPC D13/134-136; D26/67, 68, 71, 72, 87, D26/92
CPC .. F21S 8/036; F21S 8/038; F21S 8/043; F21S 8/081; F21S 8/083; F21S 8/085; F21S 8/086; F21S 8/088; F21S 13/10; F21S 9/03; F21S 9/035; F21S 9/037; F21S 10/063
See application file for complete search history.

(56) **References Cited**

U.S. PATENT DOCUMENTS

D634,875 S * 3/2011 Jiang D26/71
D648,885 S * 11/2011 Toratani D26/71

D672,492 S * 12/2012 Butler D26/71
D817,533 S * 5/2018 Wan D26/71
D818,174 S * 5/2018 Wan D26/71
D819,246 S * 5/2018 Liu D26/71
D819,859 S * 6/2018 Zou D26/71
D821,014 S * 6/2018 Long D26/63
D821,016 S * 6/2018 Wan D26/71
D822,261 S * 7/2018 Demuynck D26/92
D822,868 S * 7/2018 Liu D26/71

* cited by examiner

Primary Examiner — Brian N. Vinson

(74) *Attorney, Agent, or Firm* — Saul Ewing Amstein & Lehr LLP

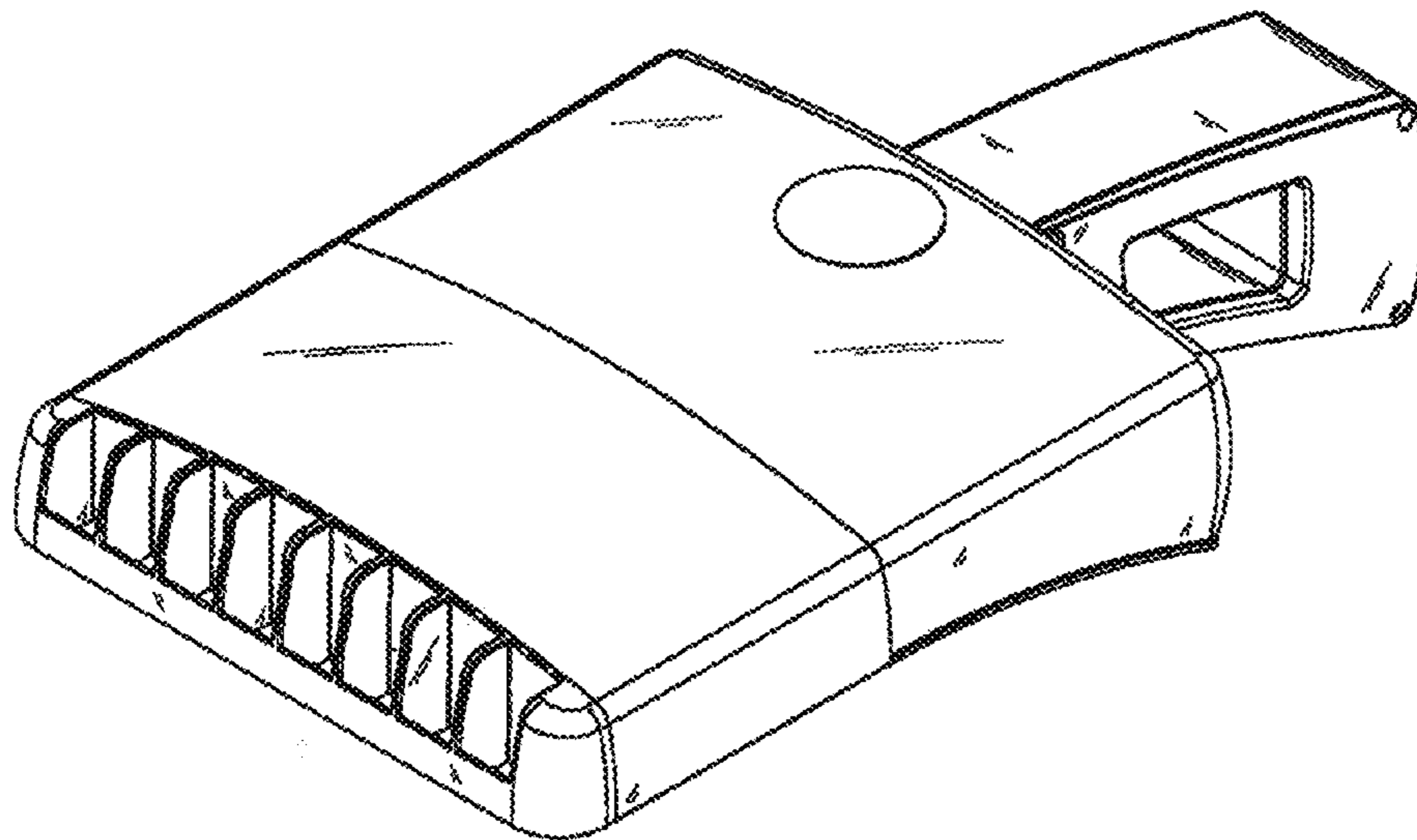
(57) **CLAIM**

The ornamental design of a LED housing, as shown.

DESCRIPTION

FIG. 1 is a perspective view of a LED housing with certain features depicted in broken lines and forming no part of the claimed design;
FIG. 2 is a second perspective view of the embodiment of FIG. 1;
FIG. 3 is a right side view of the LED housing of FIG. 1;
FIG. 4 is a left side view of the LED housing of FIG. 1;
FIG. 5 is a front view of the LED housing of FIG. 1;
FIG. 6 is a rear view of the LED housing of FIG. 1;
FIG. 7 is a top view of the LED housing of FIG. 1; and,
FIG. 8 is a bottom view of the LED housing of FIG. 1.

1 Claim, 6 Drawing Sheets



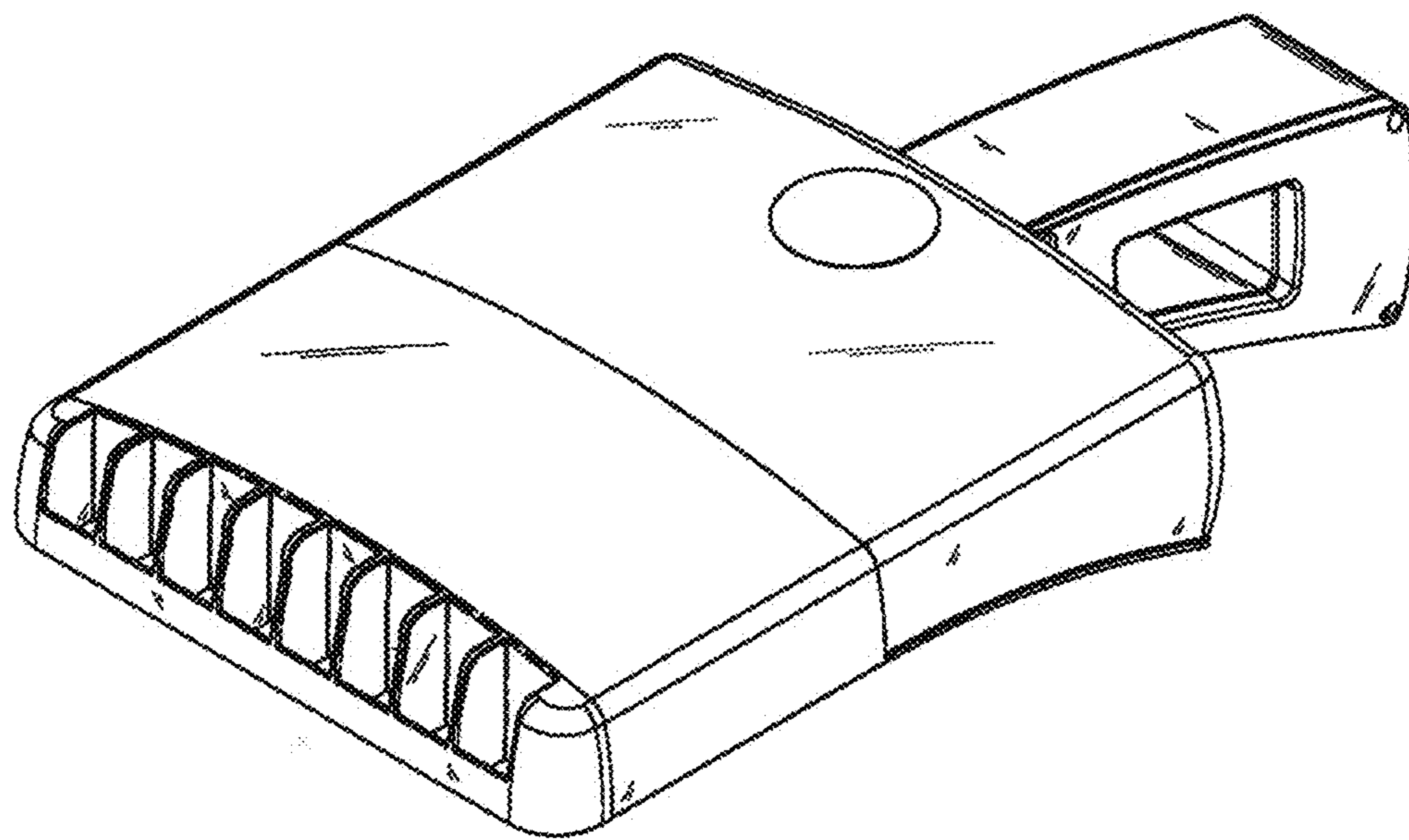


FIG. 1

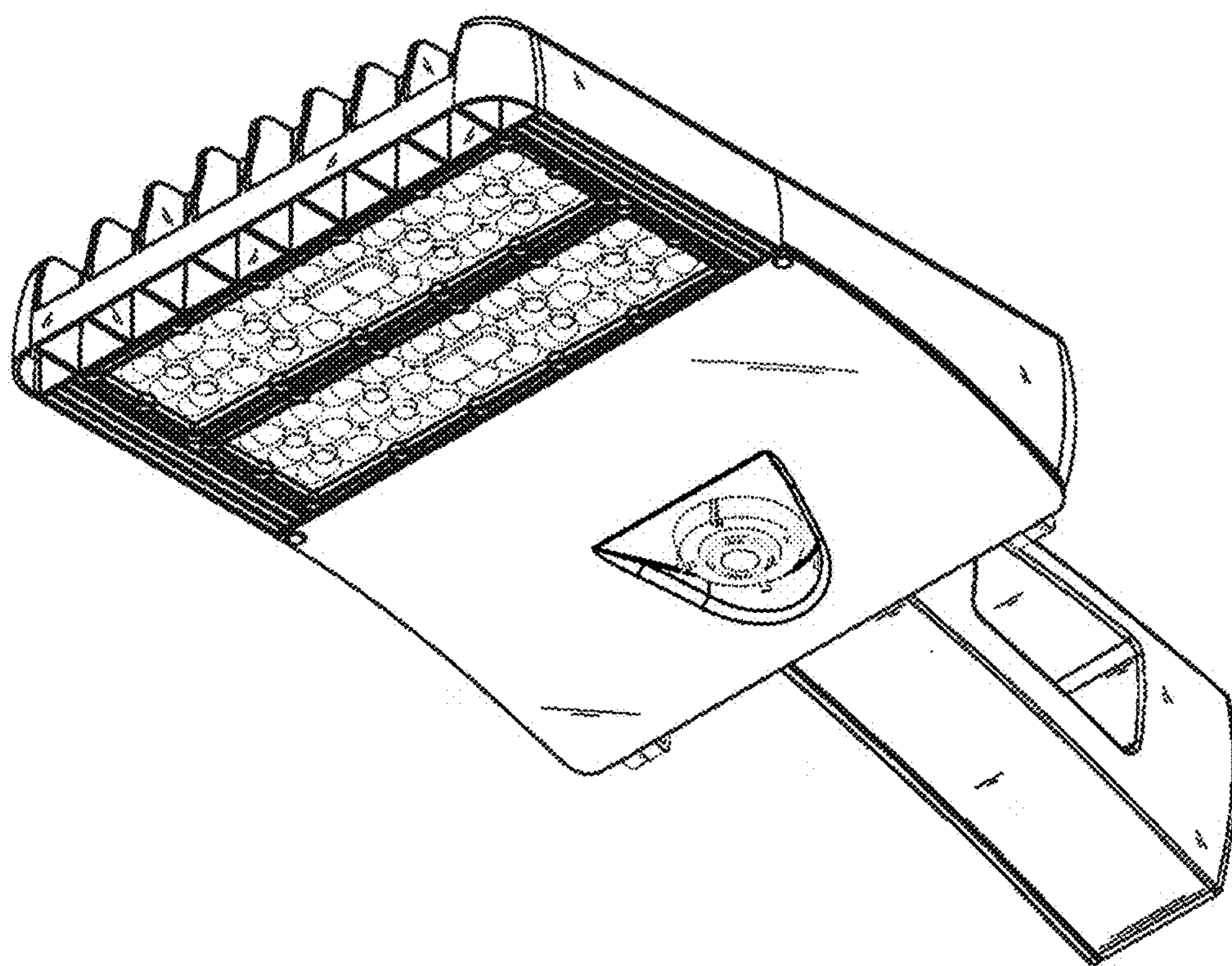


FIG. 2

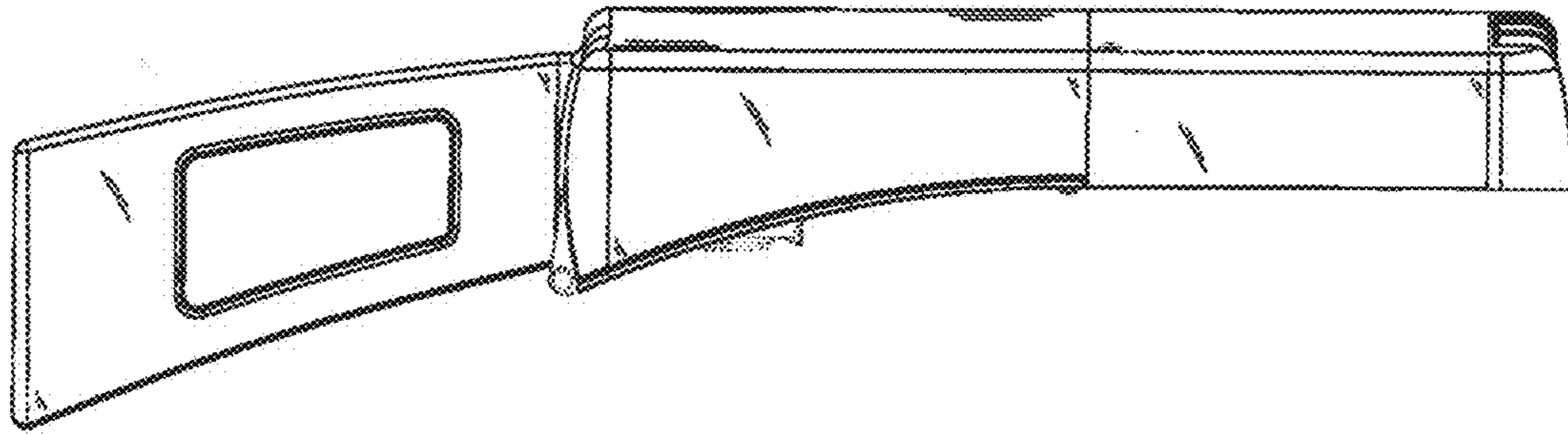


FIG. 3

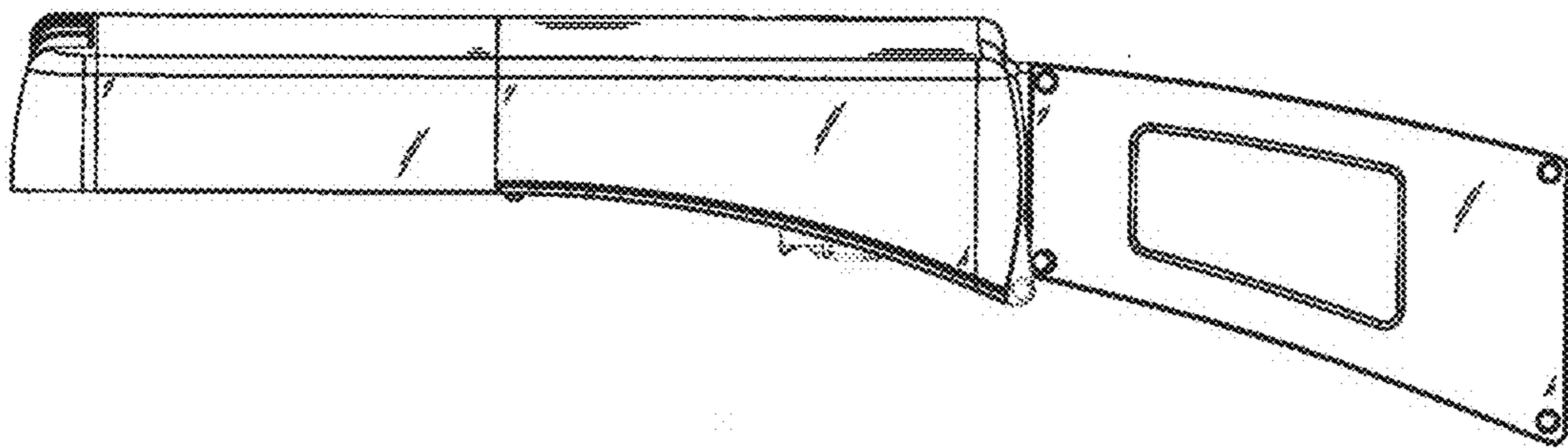


FIG. 4

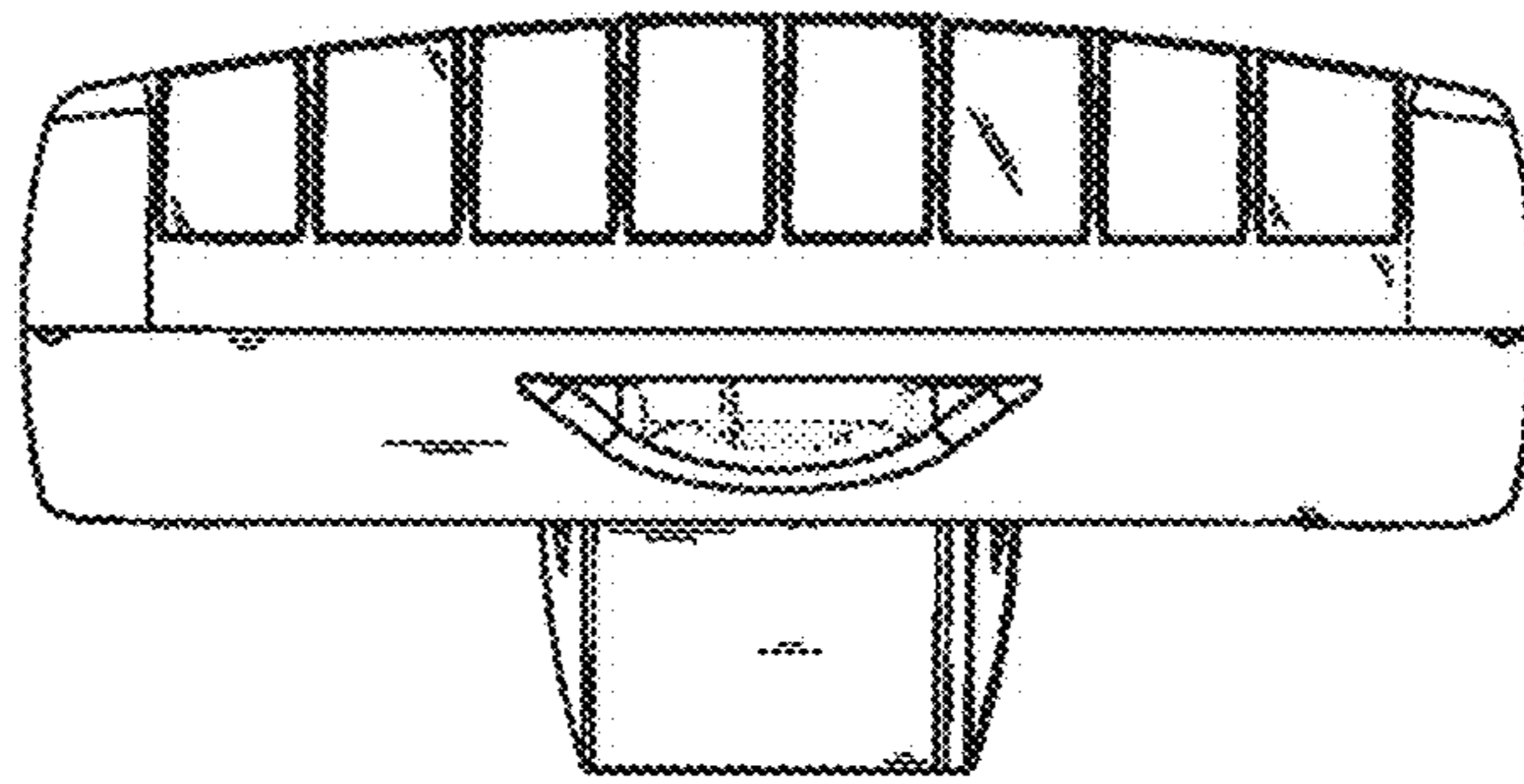


FIG. 5

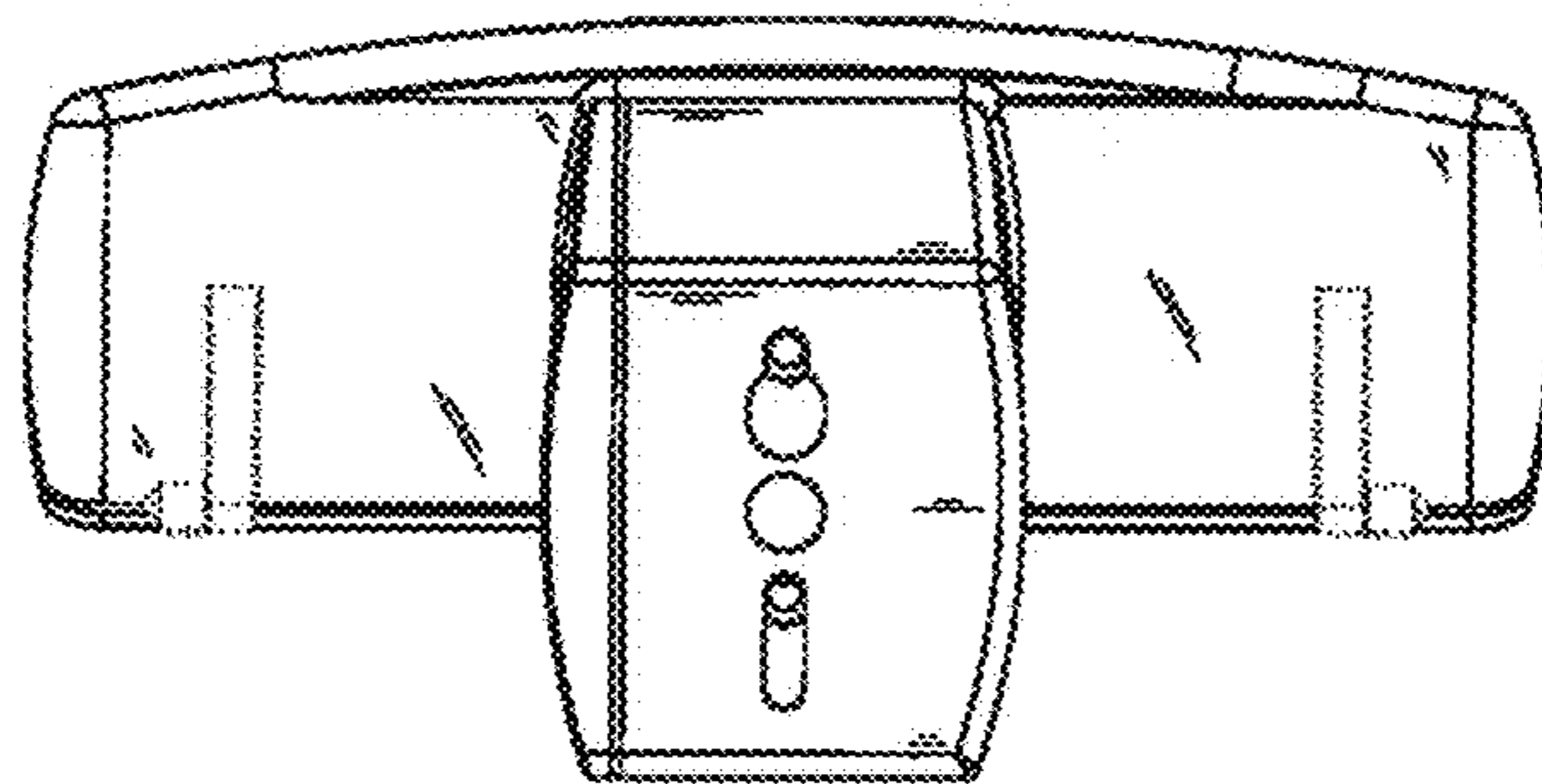


FIG. 6

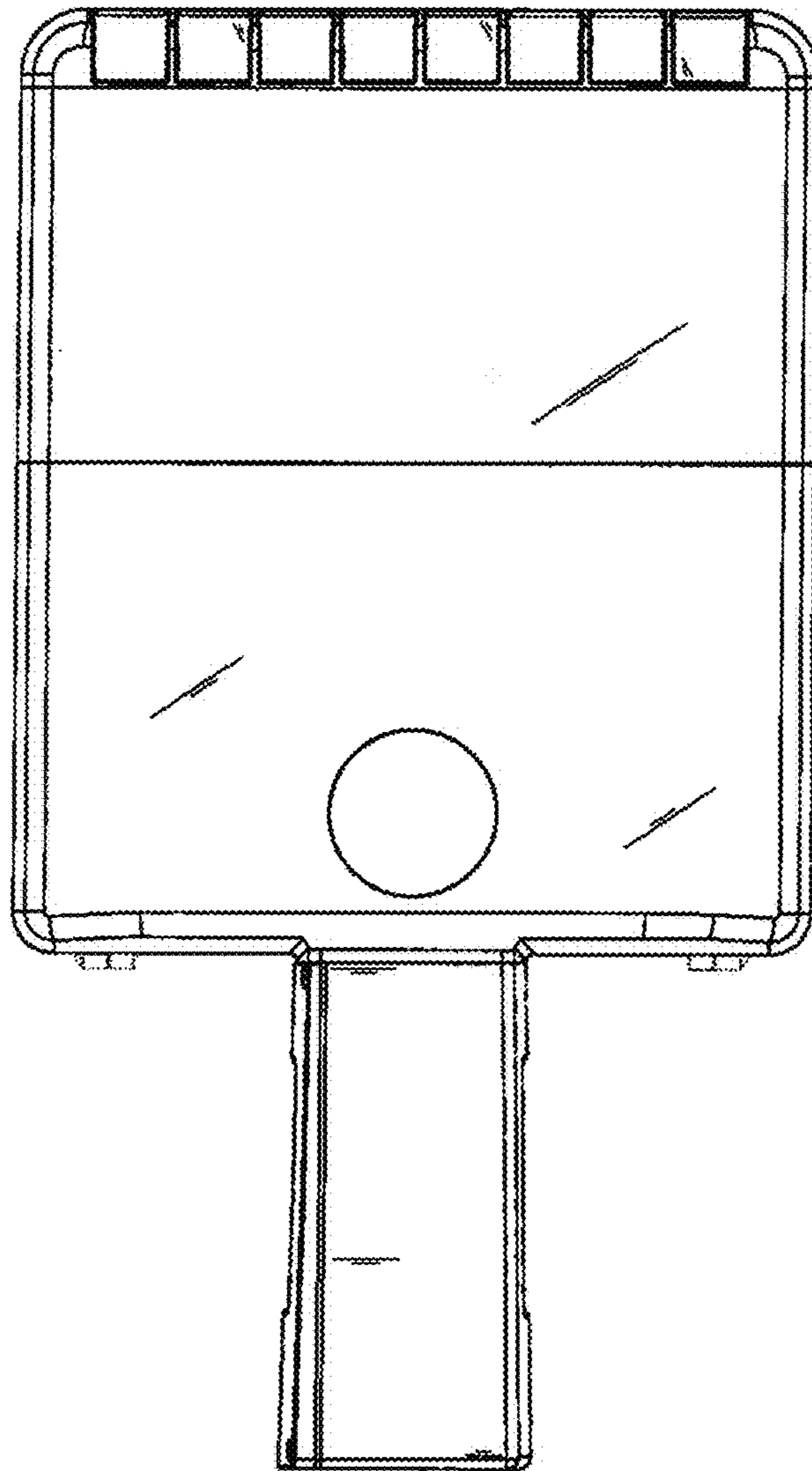


FIG. 7

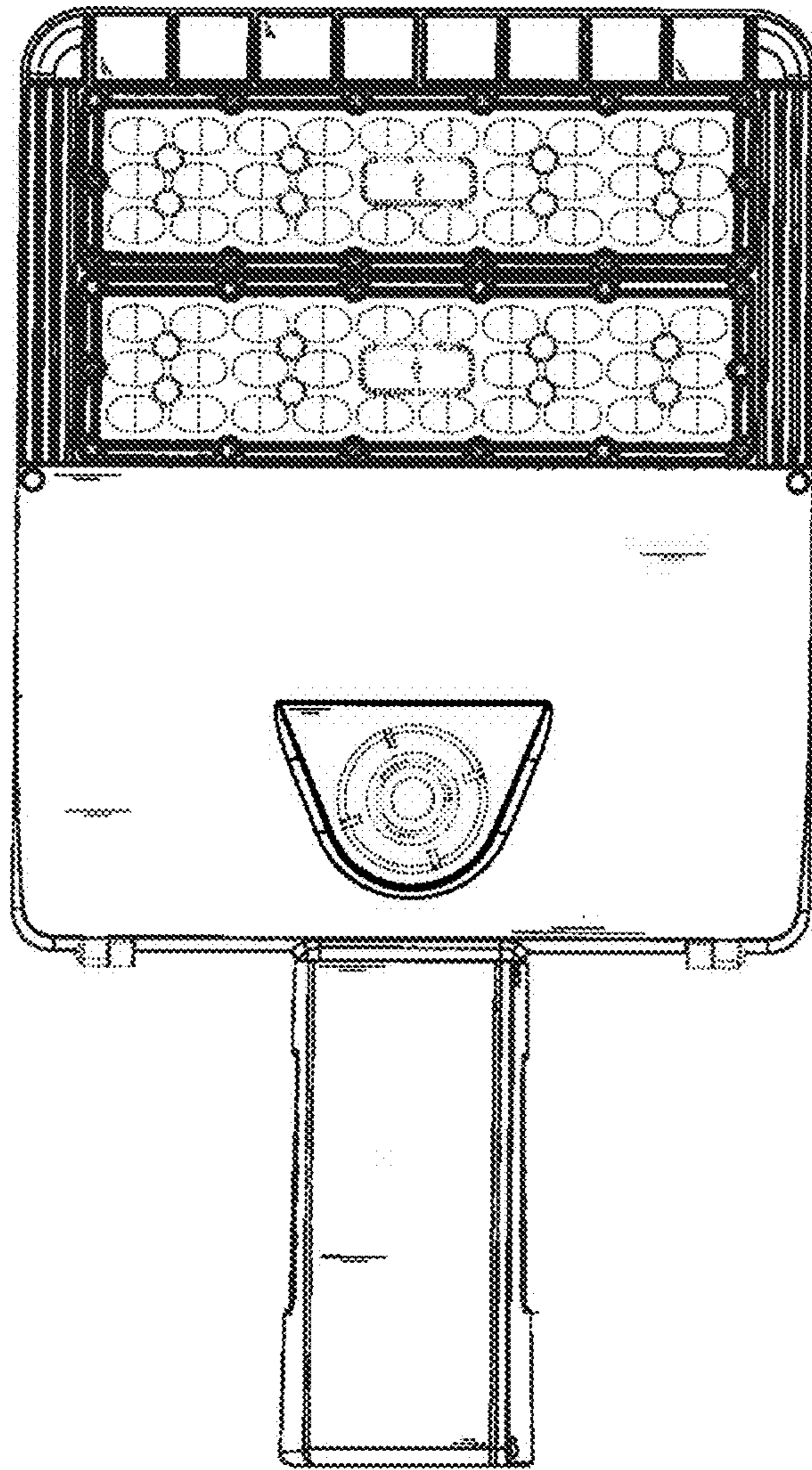


FIG. 8