



US00D854227S

(12) **United States Design Patent** (10) **Patent No.:** **US D854,227 S**  
**Yu** (45) **Date of Patent:** **\*\* Jul. 16, 2019**

(54) **RING LIGHT**

(71) Applicant: **Haitao Yu**, Jiangsu (CN)

(72) Inventor: **Haitao Yu**, Jiangsu (CN)

(\*\*) Term: **15 Years**

(21) Appl. No.: **29/643,391**

(22) Filed: **Apr. 9, 2018**

(51) **LOC (11) Cl.** ..... **26-03**

(52) **U.S. Cl.**  
USPC ..... **D26/106**

(58) **Field of Classification Search**  
USPC ..... D26/1, 24, 62, 65, 93-94, 106, 107, 118  
CPC ..... F21K 5/023; F21S 8/021; F21S 48/142;  
F21S 9/02; F21V 33/006; F21Y 2101/02  
See application file for complete search history.

(56) **References Cited**

**U.S. PATENT DOCUMENTS**

D240,761 S \* 7/1976 Medford et al. .... D26/106  
D364,241 S \* 11/1995 Jaynes ..... D26/106  
D509,618 S \* 9/2005 Baarman ..... D26/106

D619,287 S \* 7/2010 Liu ..... D26/62  
D675,366 S \* 1/2013 Alessandro ..... D26/107  
D681,258 S \* 4/2013 Chiang ..... D26/106  
D690,457 S \* 9/2013 Lu ..... D26/118  
D709,235 S \* 7/2014 Chu ..... D26/65  
D716,993 S \* 11/2014 Rashid ..... D26/93  
D773,105 S \* 11/2016 Feit ..... D26/106  
D808,572 S \* 1/2018 Zhang ..... D26/106

\* cited by examiner

*Primary Examiner* — Brian N. Vinson

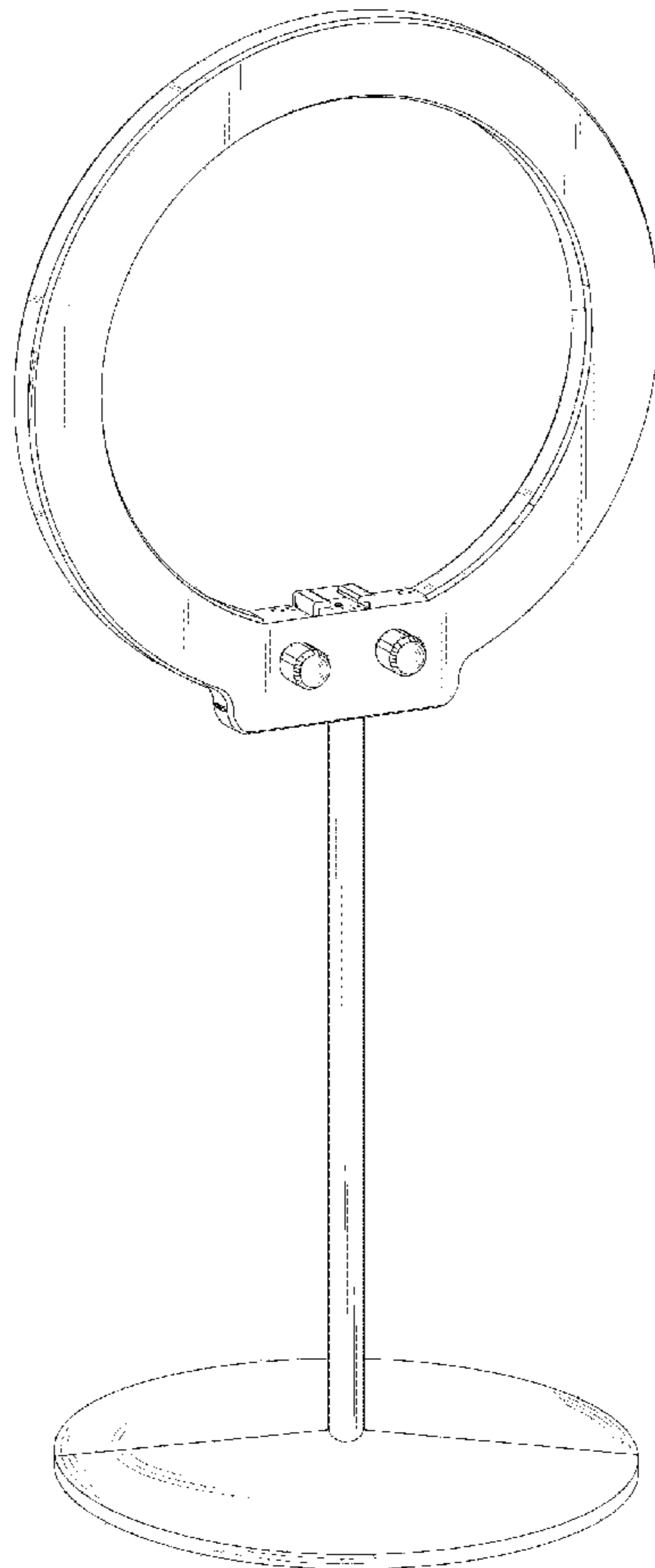
(57) **CLAIM**

I claim the ornamental design for a ring light, as shown and described.

**DESCRIPTION**

FIG. 1 is a perspective view of a ring light showing my new design;  
FIG. 2 is a front elevational view thereof;  
FIG. 3 is a rear elevational view thereof;  
FIG. 4 is a left side elevational view thereof;  
FIG. 5 is a right side elevational view thereof;  
FIG. 6 is a top plan view thereof; and,  
FIG. 7 is a bottom plan view thereof.

**1 Claim, 7 Drawing Sheets**



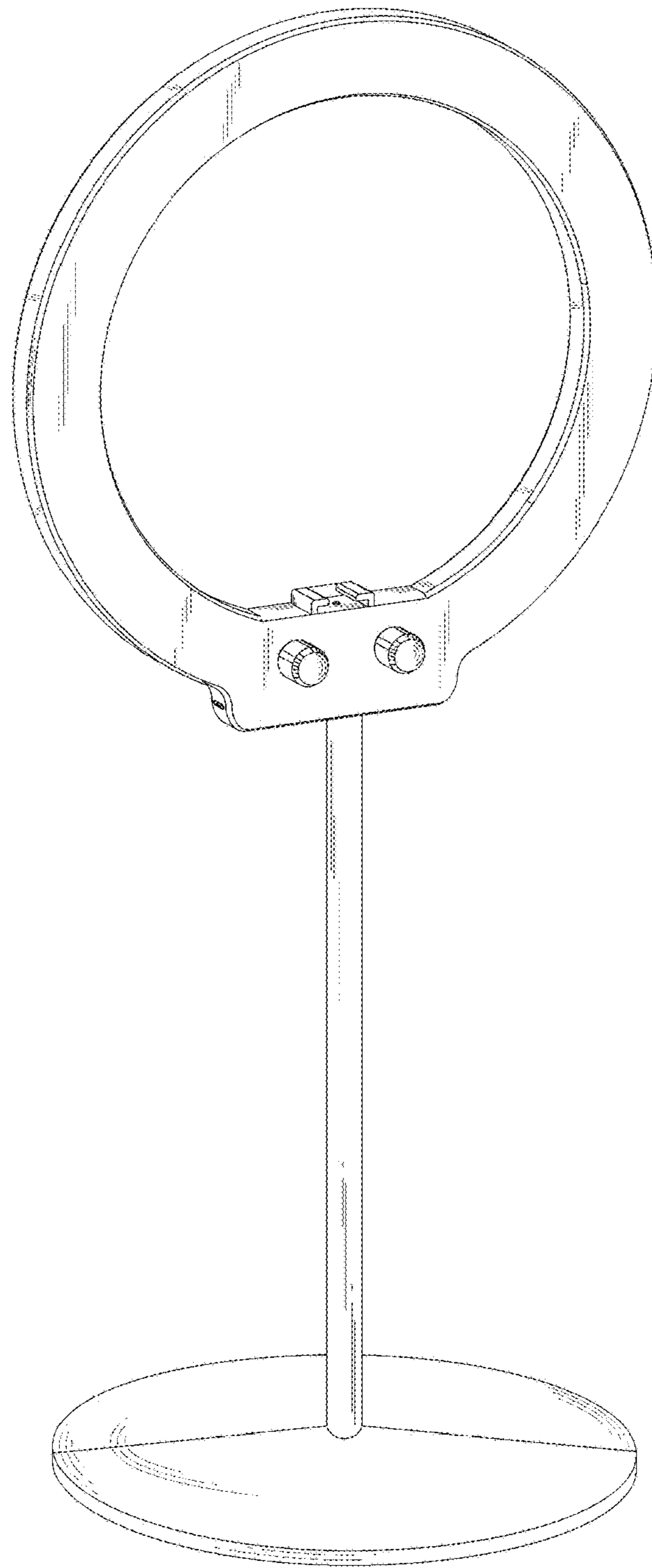


FIG.1

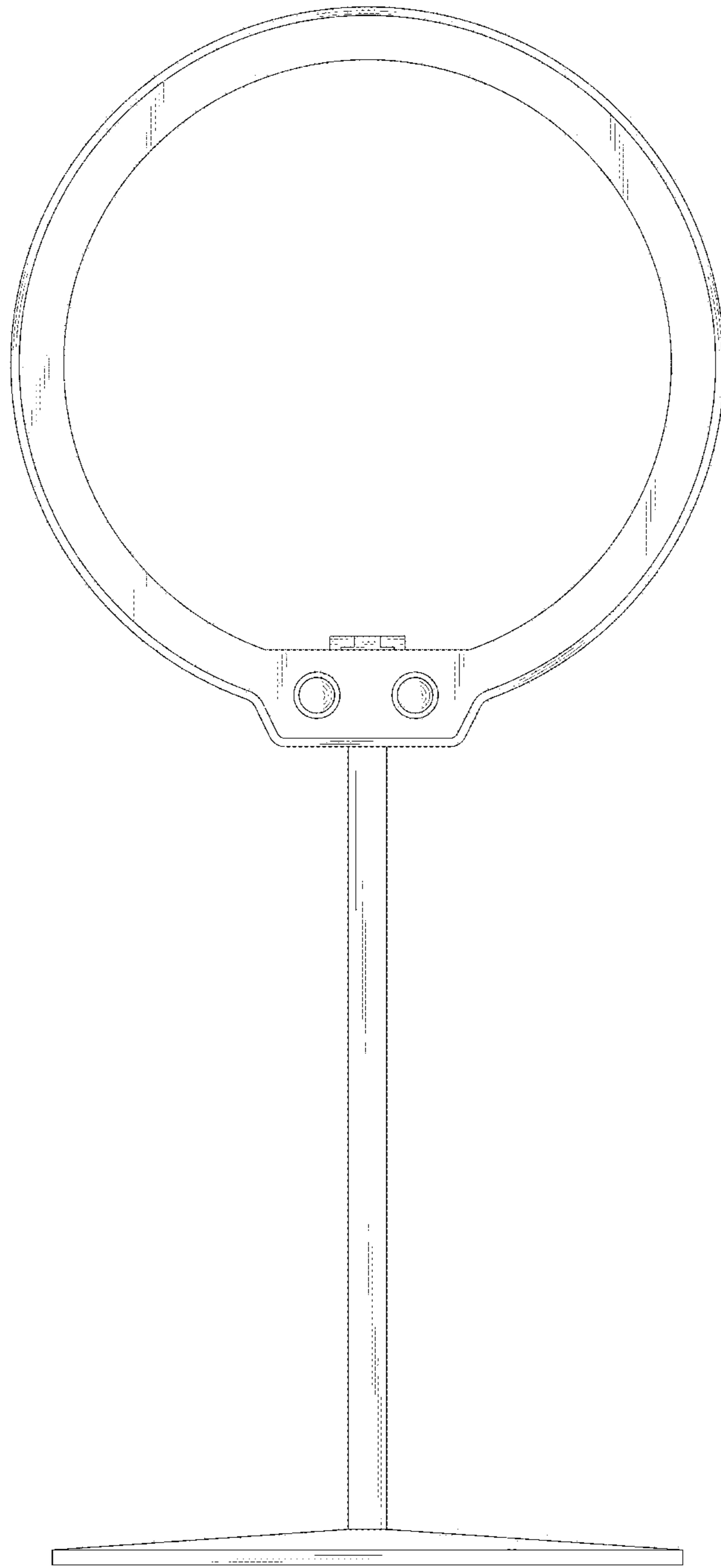


FIG.2

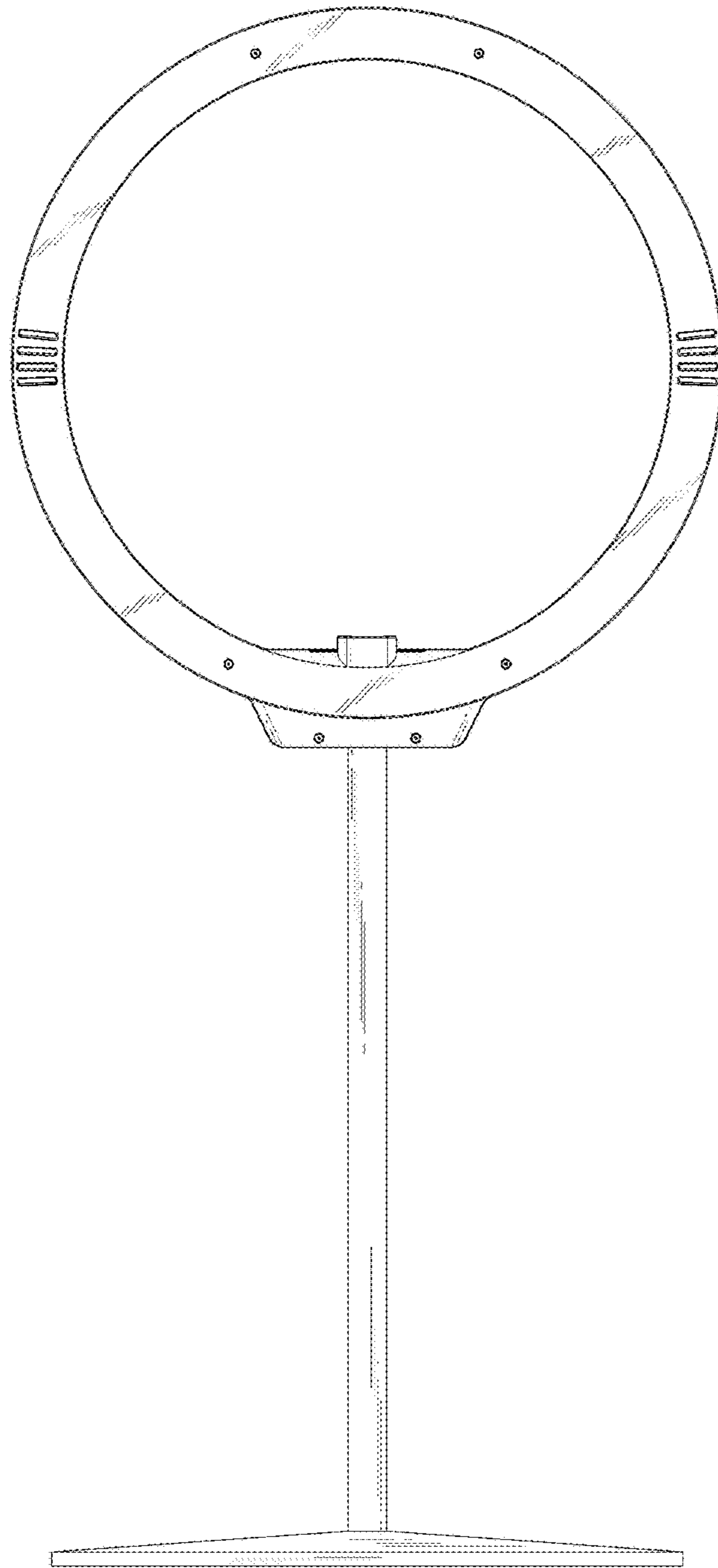


FIG.3

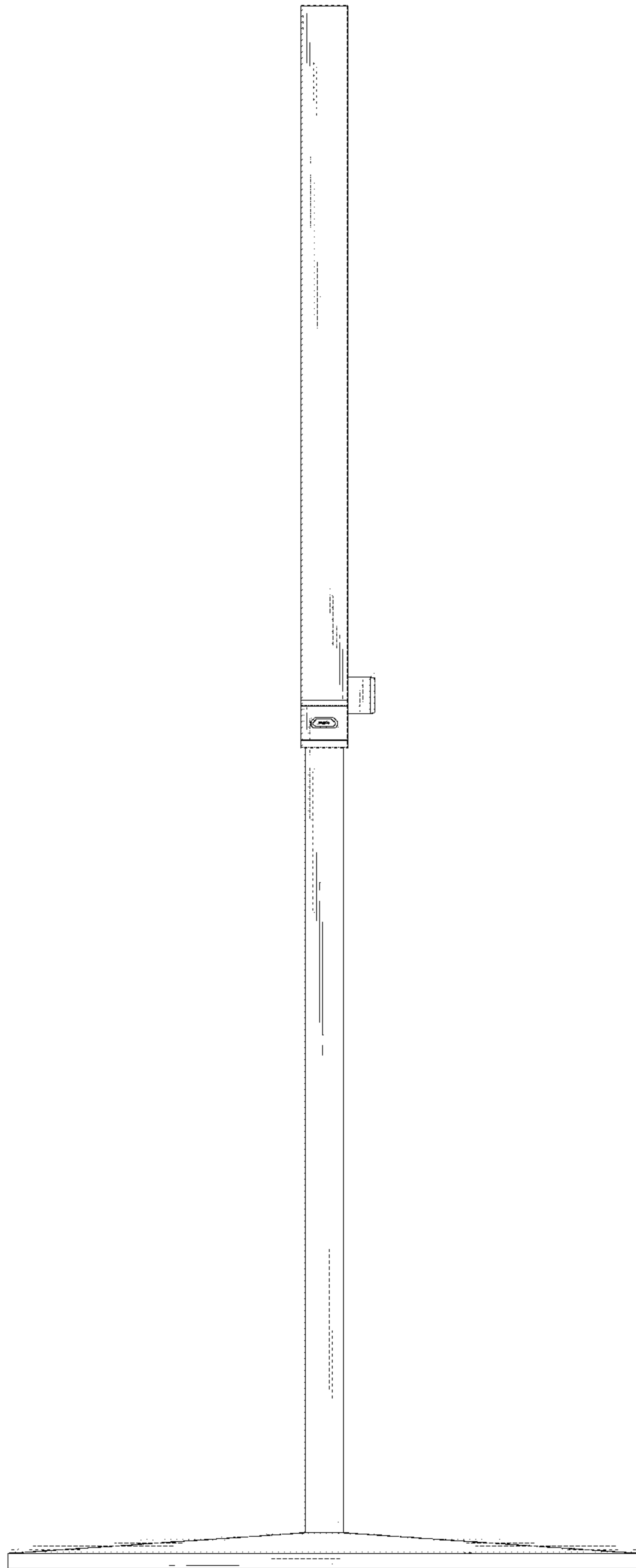


FIG.4

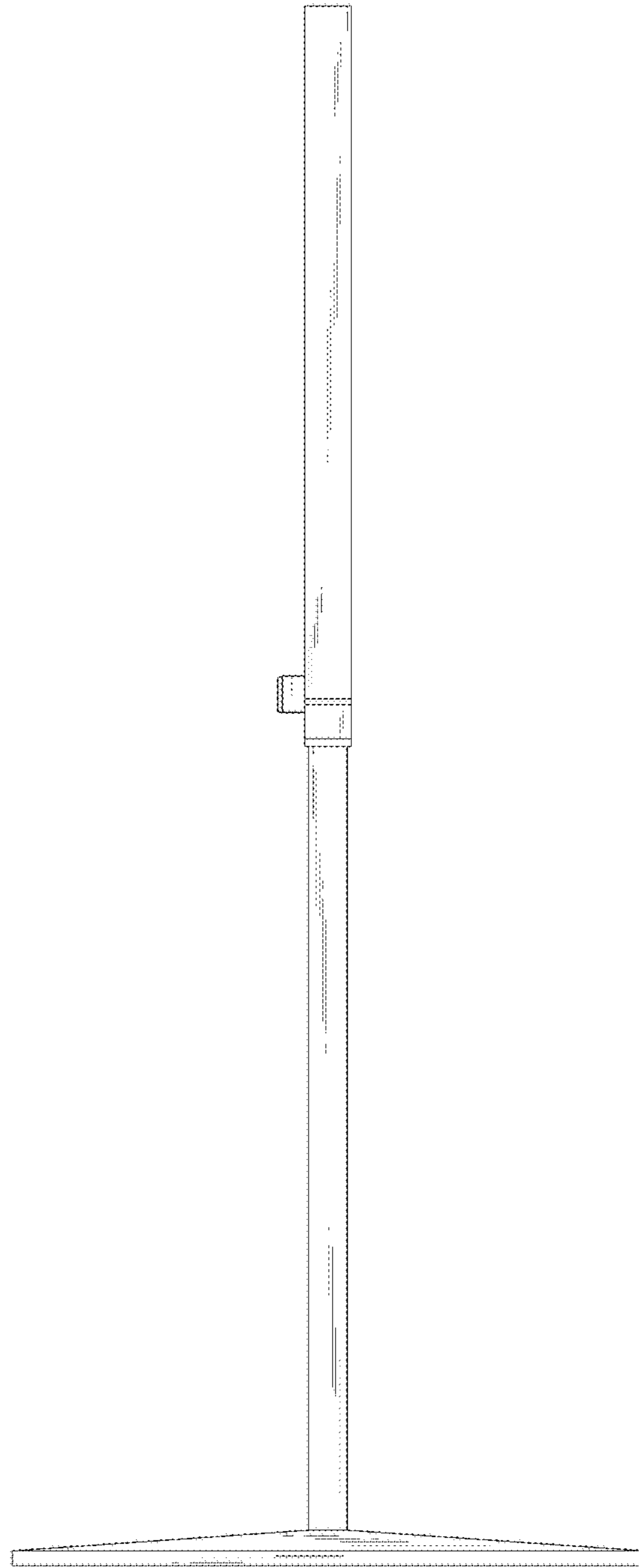


FIG.5

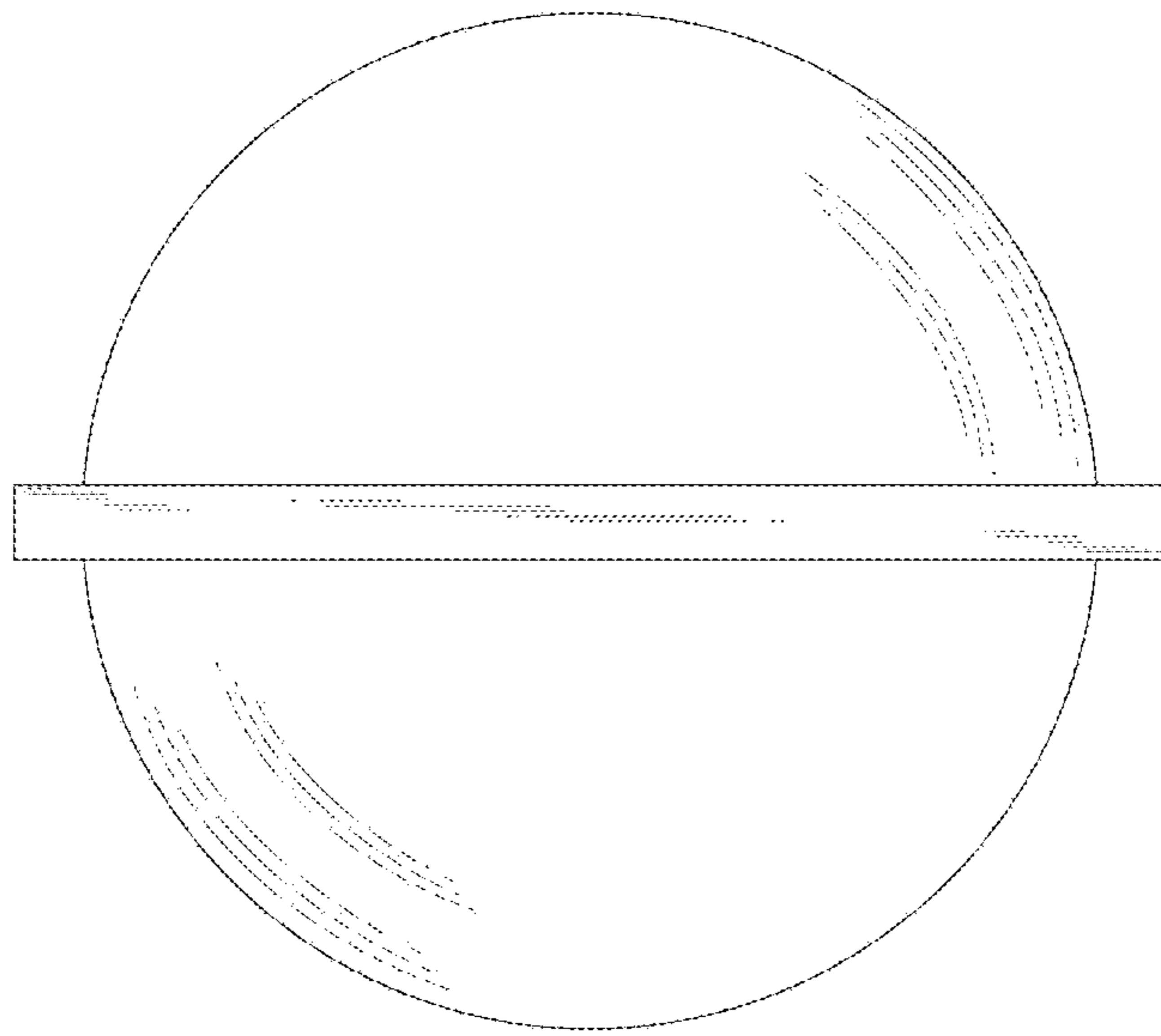


FIG.6

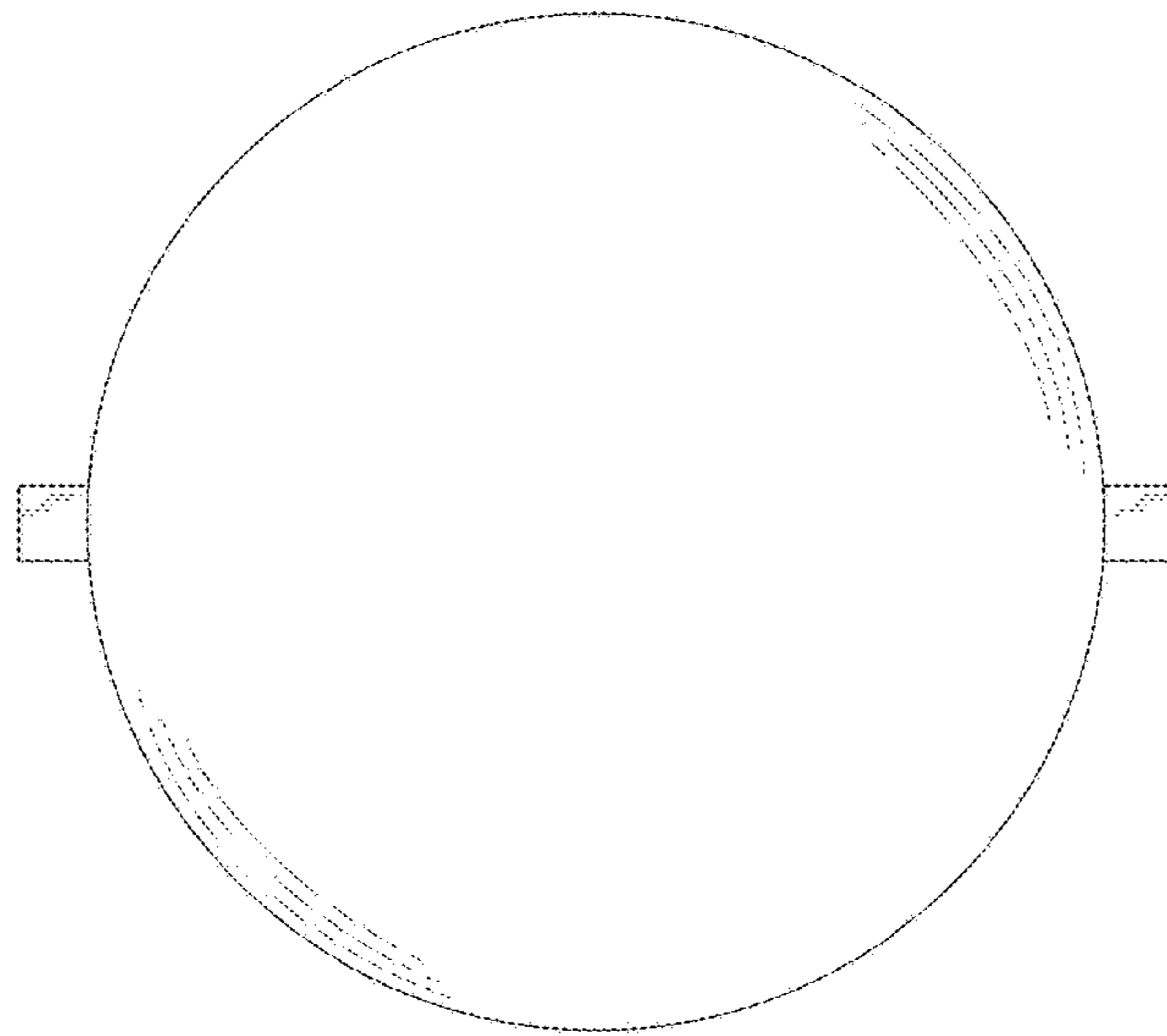


FIG.7