



US00D854221S

(12) **United States Design Patent**  
**Hecht**

(10) **Patent No.:** **US D854,221 S**

(45) **Date of Patent:** **\*\* Jul. 16, 2019**

(54) **LAMP**

(71) Applicant: **SANTA & COLE NEOSERIES S.L.**,  
La Roca del Vallès (ES)

(72) Inventor: **Samuel Israel Hecht**, London (GB)

(\*\*) Term: **15 Years**

(21) Appl. No.: **35/504,783**

(22) Filed: **Mar. 16, 2018**

(80) **Hague Agreement Data**

Int. Filing Date: **Mar. 16, 2018**

Int. Reg. No.: **DM/100520**

Int. Reg. Date: **Mar. 16, 2018**

Int. Reg. Pub. Date: **Apr. 20, 2018**

(51) **LOC (11) Cl.** ..... **26-05**

(52) **U.S. Cl.**  
USPC ..... **D26/87**

(58) **Field of Classification Search**

USPC ..... D26/76, 78, 79, 80, 81, 82, 83, 85, 86,  
D26/87, 88, 90, 93, 111, 113, 118, 119,  
D26/120, 121, 122, 138, 139, 140, 141,  
D26/142, 152

CPC ..... F21S 2/00; F21S 4/00; F21S 4/003; F21S  
4/005; F21S 4/006; F21S 4/007; F21S  
4/008; F21S 6/00; F21S 8/00; F21S  
8/024; F21S 8/026; F21S 8/031; F21S  
8/033; F21S 8/035-037; F21S 8/04; F21S  
8/043; F21S 8/063

See application file for complete search history.

(56) **References Cited**

U.S. PATENT DOCUMENTS

D391,006 S *	2/1998	Yang .....	D26/118
D478,185 S *	8/2003	Brunner .....	D26/128
D574,992 S *	8/2008	Citterio .....	D26/87
D575,902 S *	8/2008	Ricereto .....	D26/138
D680,674 S *	4/2013	Jepson .....	D26/87
D697,659 S *	1/2014	Sabernig .....	D26/87
D783,882 S *	4/2017	Dolan .....	D26/87
D802,200 S *	11/2017	Sonneman .....	D26/87
D821,629 S *	6/2018	Amato .....	D26/87
D837,441 S *	1/2019	Odgaard .....	D26/88

\* cited by examiner

*Primary Examiner* — Natasha Vujcic

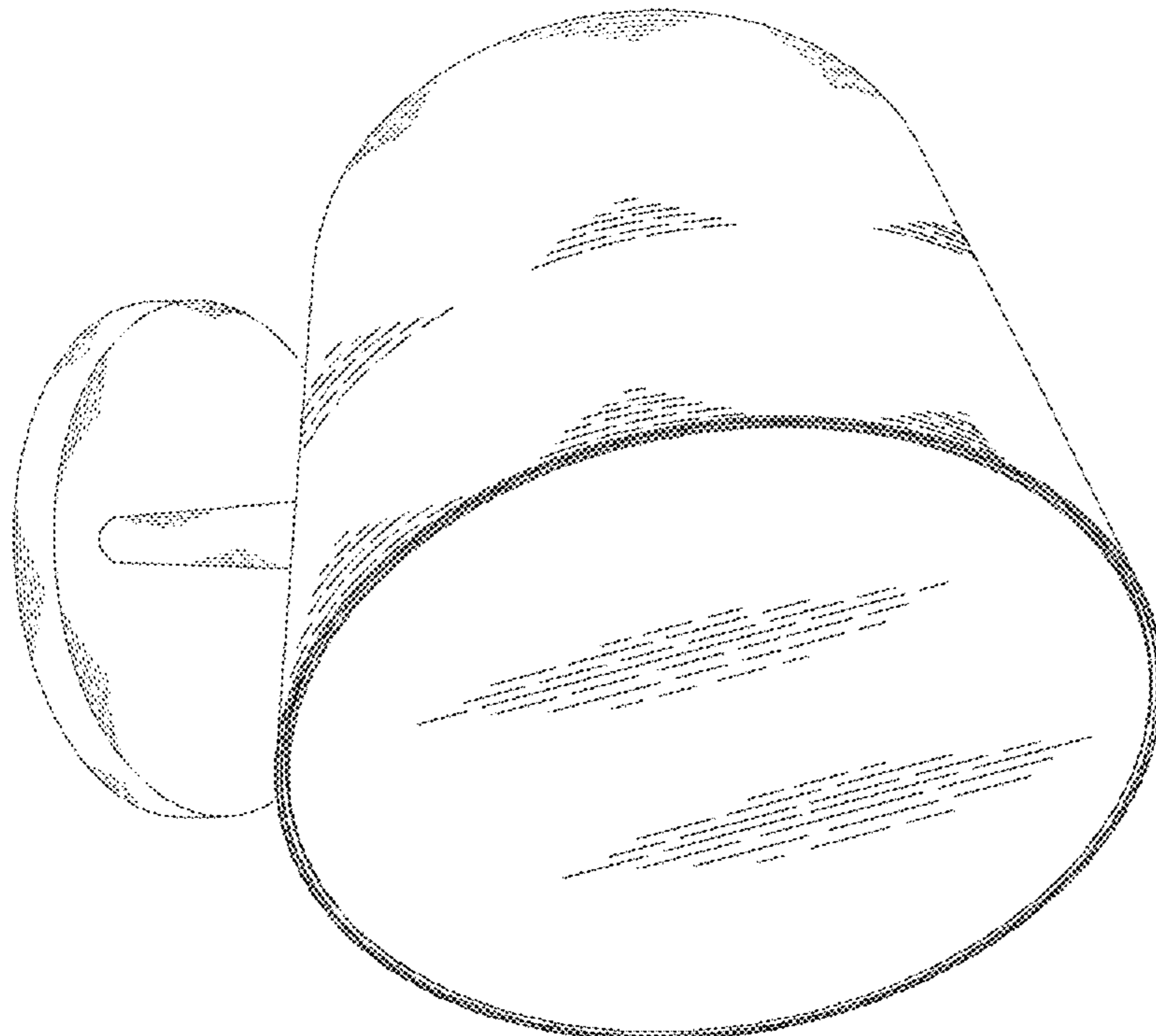
(57) **CLAIM**

The ornamental design for lamp, as shown and described.

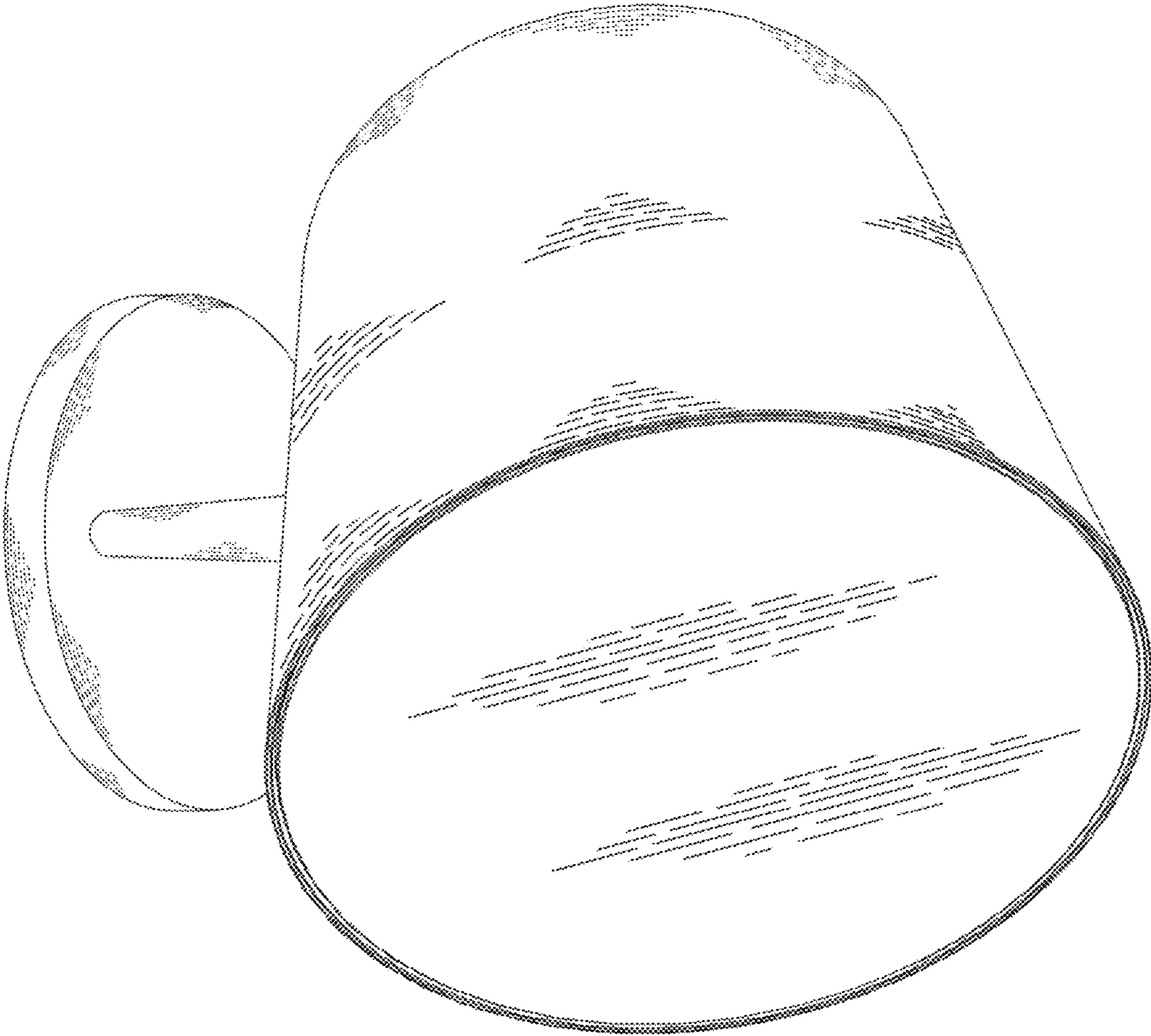
**DESCRIPTION**

- 1. Lamp
- 1.1 : Perspective
- 1.2 : Perspective
- 1.3 : Front
- 1.4 : Left
- 1.5 : Top
- 1.6 : Right
- 1.7 : Bottom

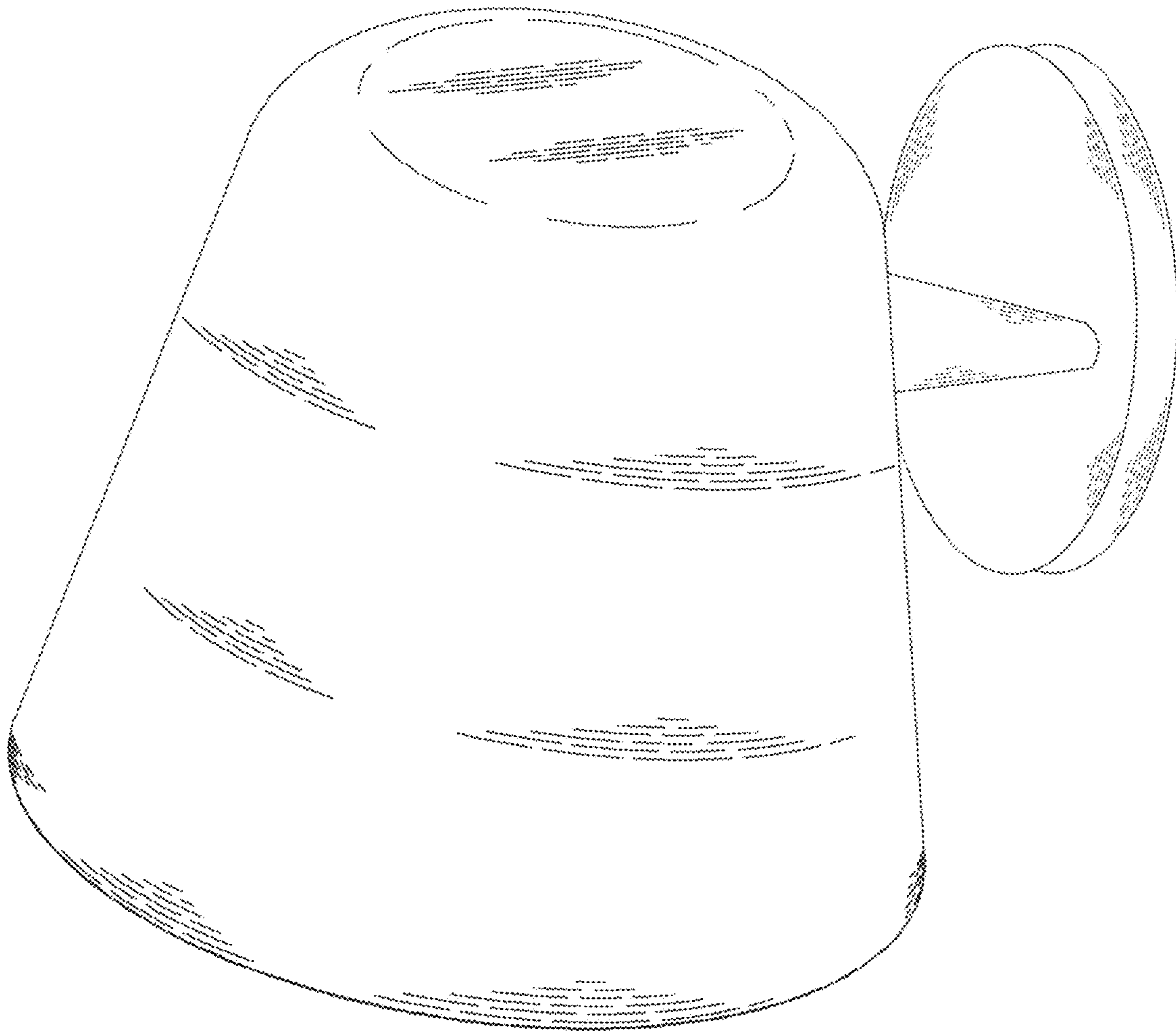
**1 Claim, 7 Drawing Sheets**



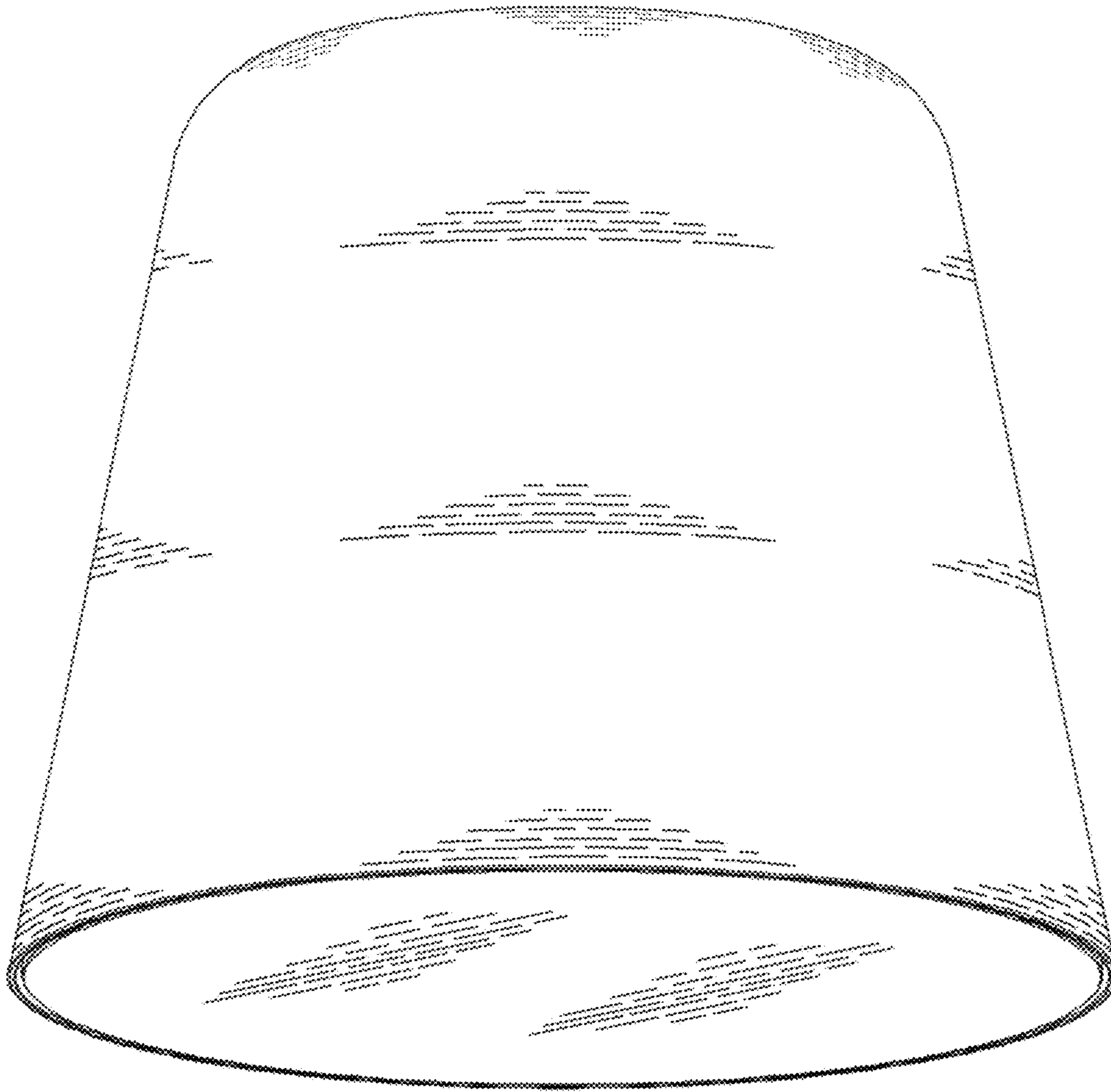
1.1



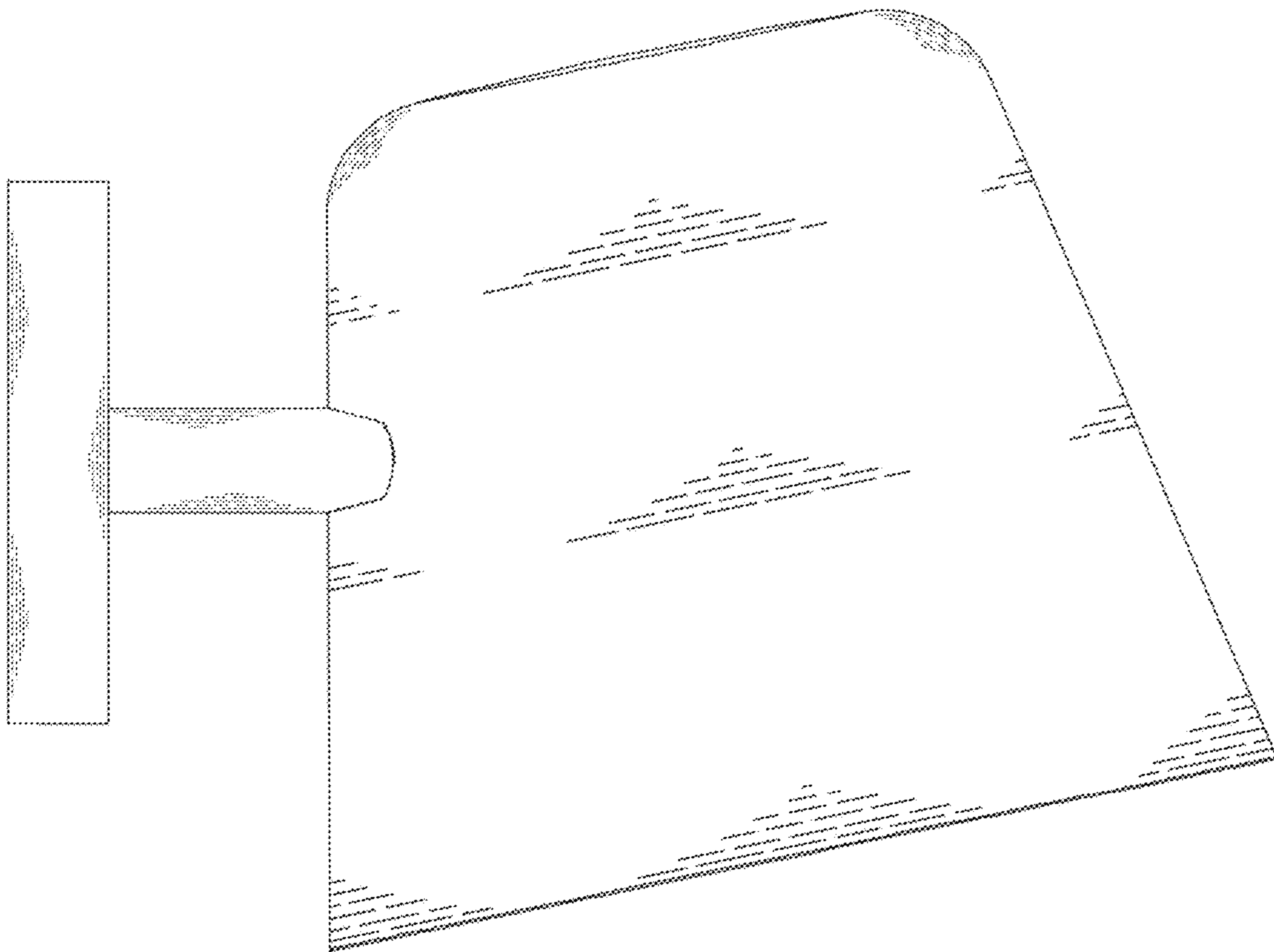
1.2



1.3



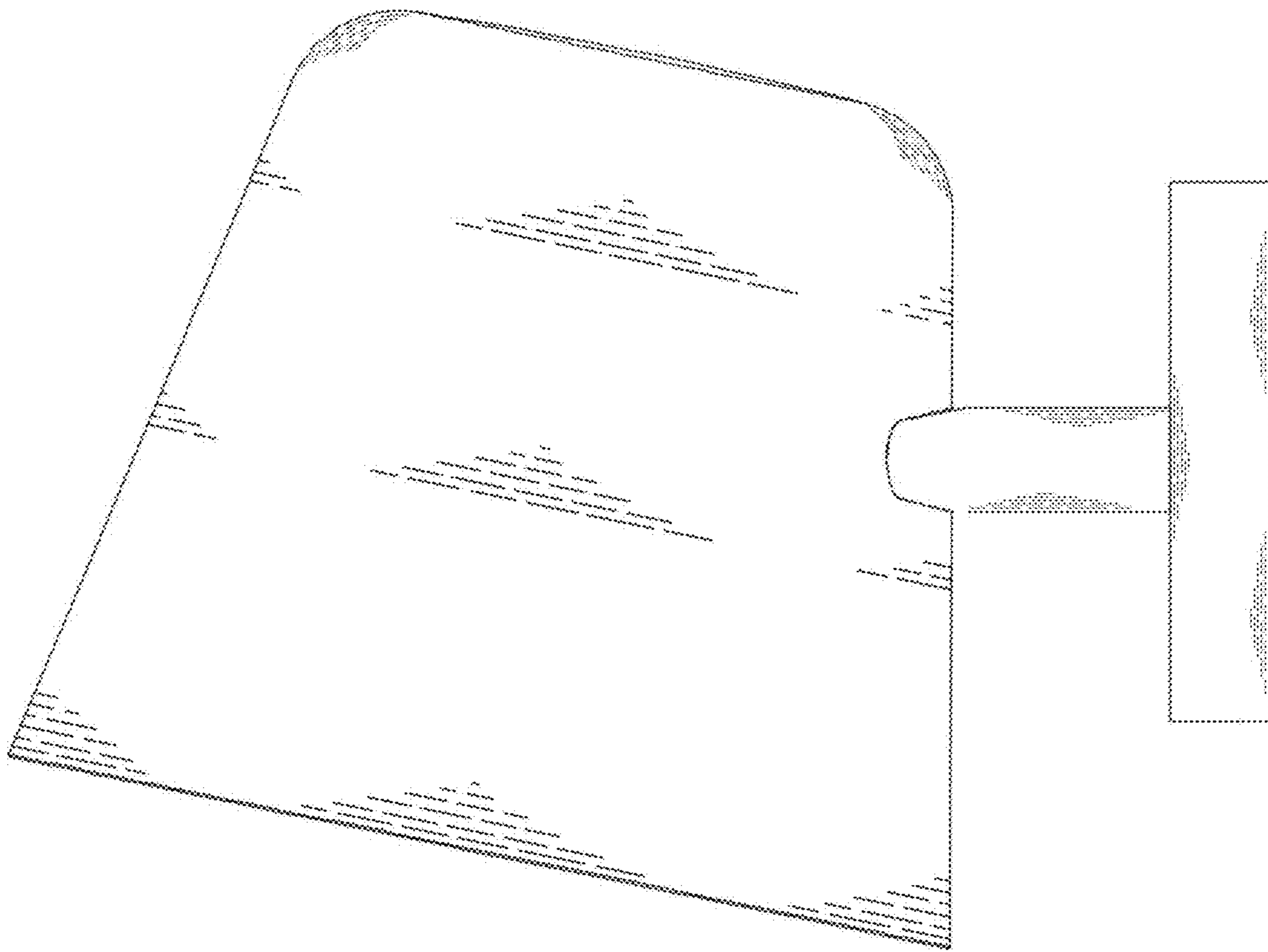
1.4



1.5



1.6



1.7

