



US00D854220S

(12) **United States Design Patent**  
**Coirier**

(10) **Patent No.:** **US D854,220 S**

(45) **Date of Patent:** **\*\* Jul. 16, 2019**

(54) **LIGHTING FIXTURE**

(71) Applicant: **SIGNIFY HOLDING B.V.**, Eindhoven (NL)

(72) Inventor: **Florent Coirier**, Paris (FR)

(73) Assignee: **SIGNIFY HOLDING B.V.**, Eindhoven (NL)

(\*) Notice: This patent is subject to a terminal disclaimer.

(\*\*) Term: **15 Years**

(21) Appl. No.: **29/616,173**

(22) Filed: **Sep. 1, 2017**

(30) **Foreign Application Priority Data**

Mar. 14, 2017 (EM) ..... 003799584-0004

(51) **LOC (11) Cl.** ..... **26-05**

(52) **U.S. Cl.**  
USPC ..... **D26/74**

(58) **Field of Classification Search**

USPC ..... D26/72, 74, 79, 82, 83, 85, 88, 89  
CPC ..... F21V 21/02; F21V 21/04; F21V 21/042;  
F21V 21/044; F21V 21/047; F21V 29/00;  
F21V 29/2212; F21V 29/72; F21V 29/75;  
F21V 29/76; F21S 8/00; F21S 8/02; F21S  
8/026; F21S 8/04; F21S 2/005

See application file for complete search history.

(56) **References Cited**

**U.S. PATENT DOCUMENTS**

2,626,120 A \* 1/1953 Baker ..... F21V 21/02  
174/62  
D247,562 S \* 3/1978 Walker ..... D14/209

D264,007 S \* 4/1982 Heritage ..... D26/63  
D264,254 S \* 5/1982 Heritage ..... D26/63  
D291,253 S \* 8/1987 Ortega ..... D26/29  
D315,417 S \* 3/1991 Ziaylek, Jr. .... D26/24  
D469,212 S \* 1/2003 Chiu ..... D26/118  
D473,966 S \* 4/2003 Lecluze ..... D26/74  
D595,452 S \* 6/2009 Khang ..... F21S 8/026  
D26/138  
D610,289 S \* 2/2010 Yoshinobu ..... D26/74  
D633,636 S \* 3/2011 Gielen ..... D26/74  
D639,993 S \* 6/2011 Mier-Langner ..... F21S 8/02  
D26/74  
D641,914 S \* 7/2011 Sprengers ..... D26/89  
D681,861 S \* 5/2013 Soni ..... D26/74  
D713,585 S \* 9/2014 Van Lierde ..... D26/66  
D769,503 S \* 10/2016 Van Lierde ..... D26/74  
D831,873 S \* 10/2018 Rybol ..... D26/74  
D838,892 S \* 1/2019 Redfern ..... D26/74  
2003/0142499 A1 \* 7/2003 Chiu ..... F21S 2/005  
362/368

\* cited by examiner

*Primary Examiner* — Cathron C Brooks

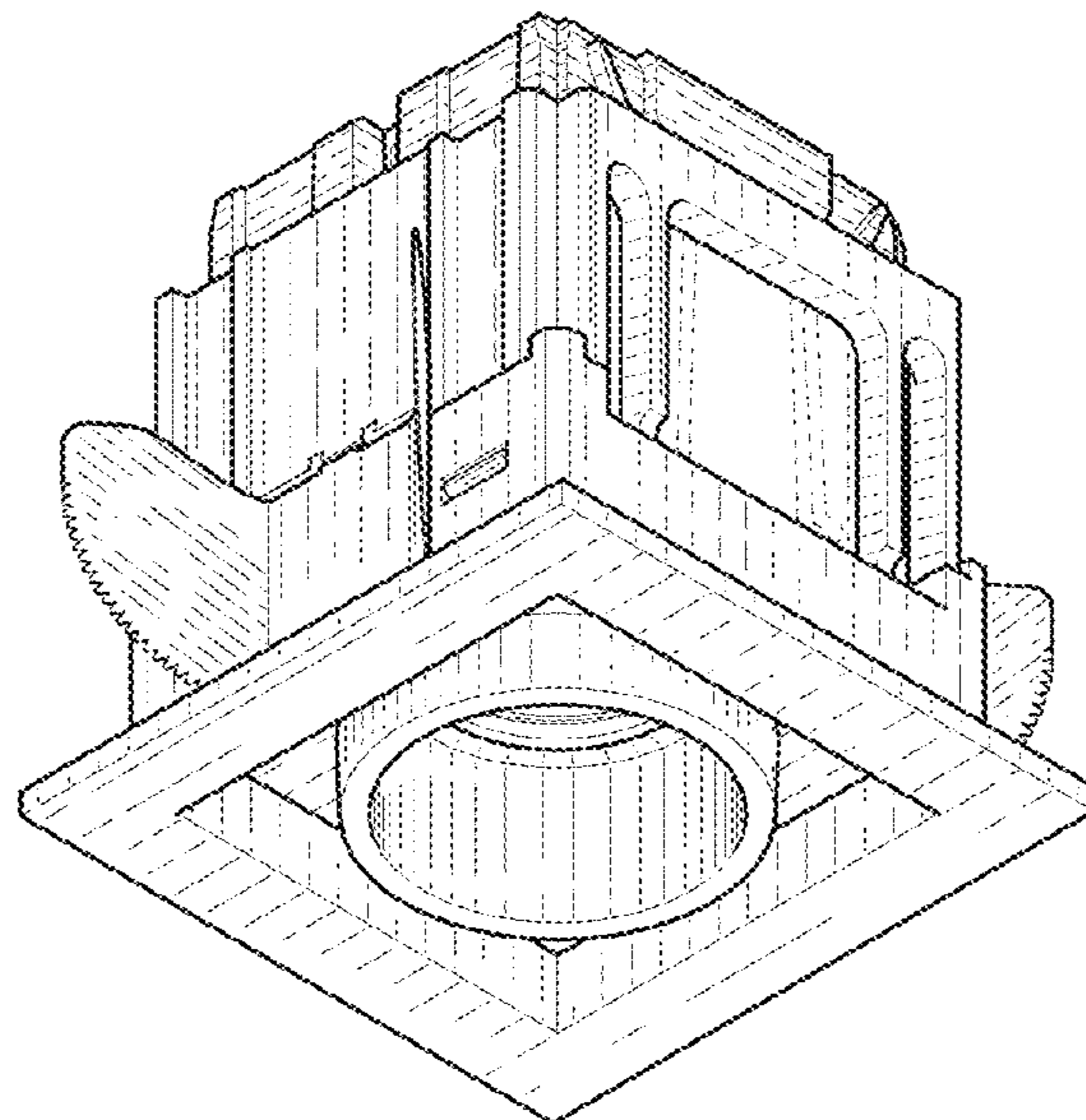
(57) **CLAIM**

The ornamental design for a “lighting fixture,” as shown and described.

**DESCRIPTION**

FIG. 1 is a perspective view showing my design;  
FIG. 2 is a front elevational view thereof;  
FIG. 3 is a rear elevational view thereof;  
FIG. 4 is a right side elevational view thereof;  
FIG. 5 is a left side elevational view thereof;  
FIG. 6 is a top plan view thereof; and,  
FIG. 7 is a bottom plan view thereof.  
The broken lines in the reproductions illustrate portions of the lighting fixture that form not part of the claimed design.

**1 Claim, 4 Drawing Sheets**



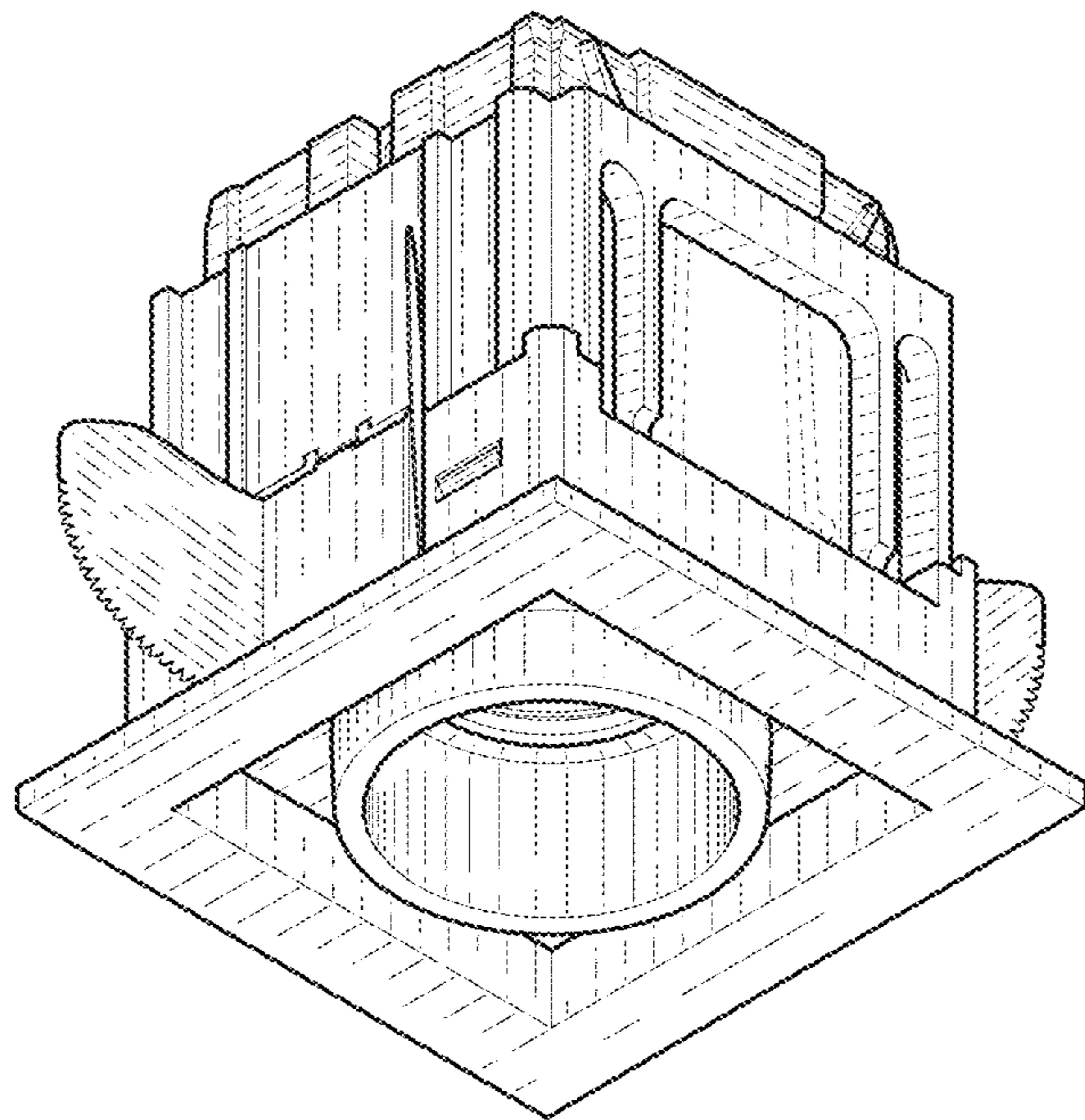


FIG. 1

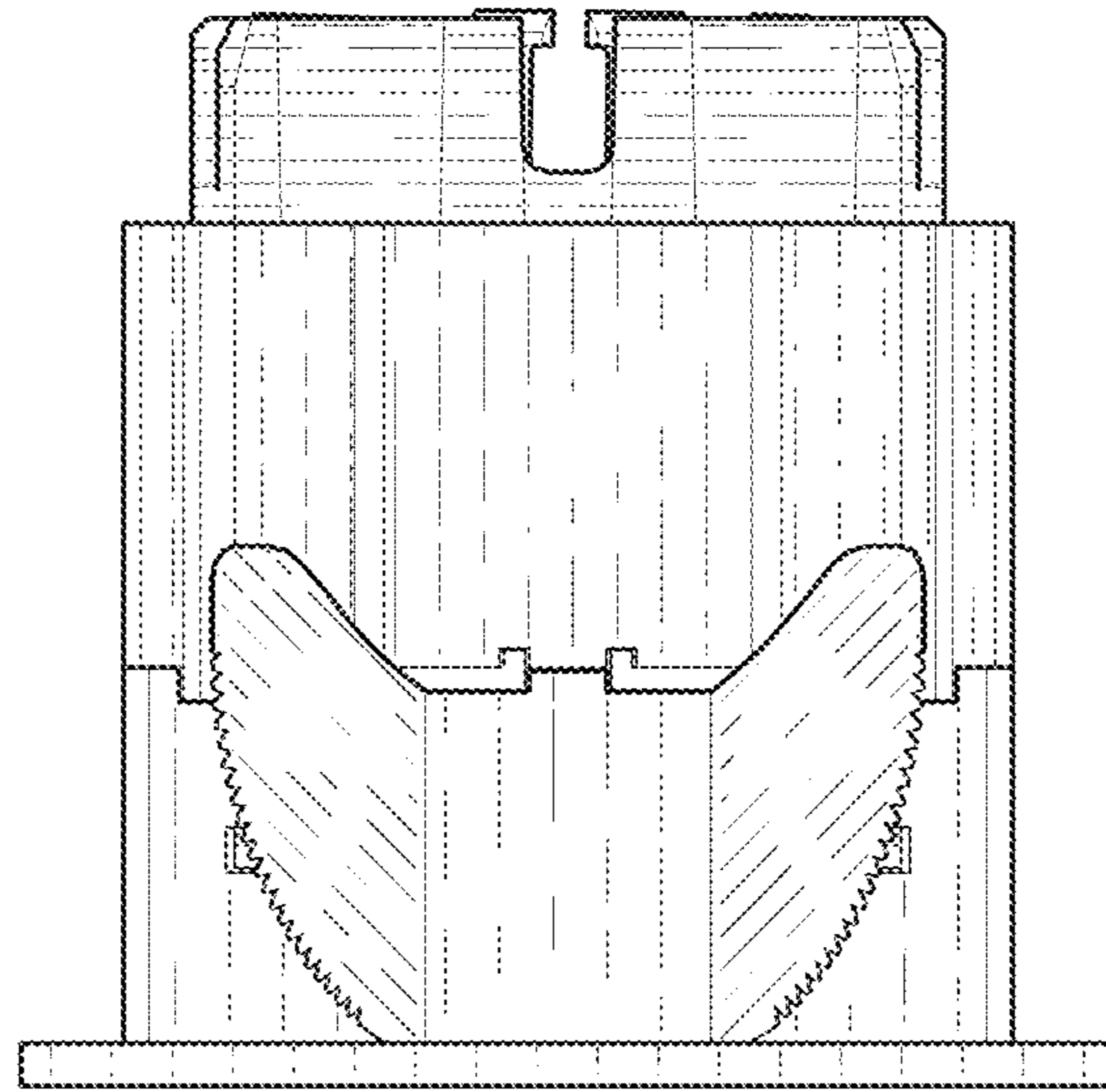


FIG. 2

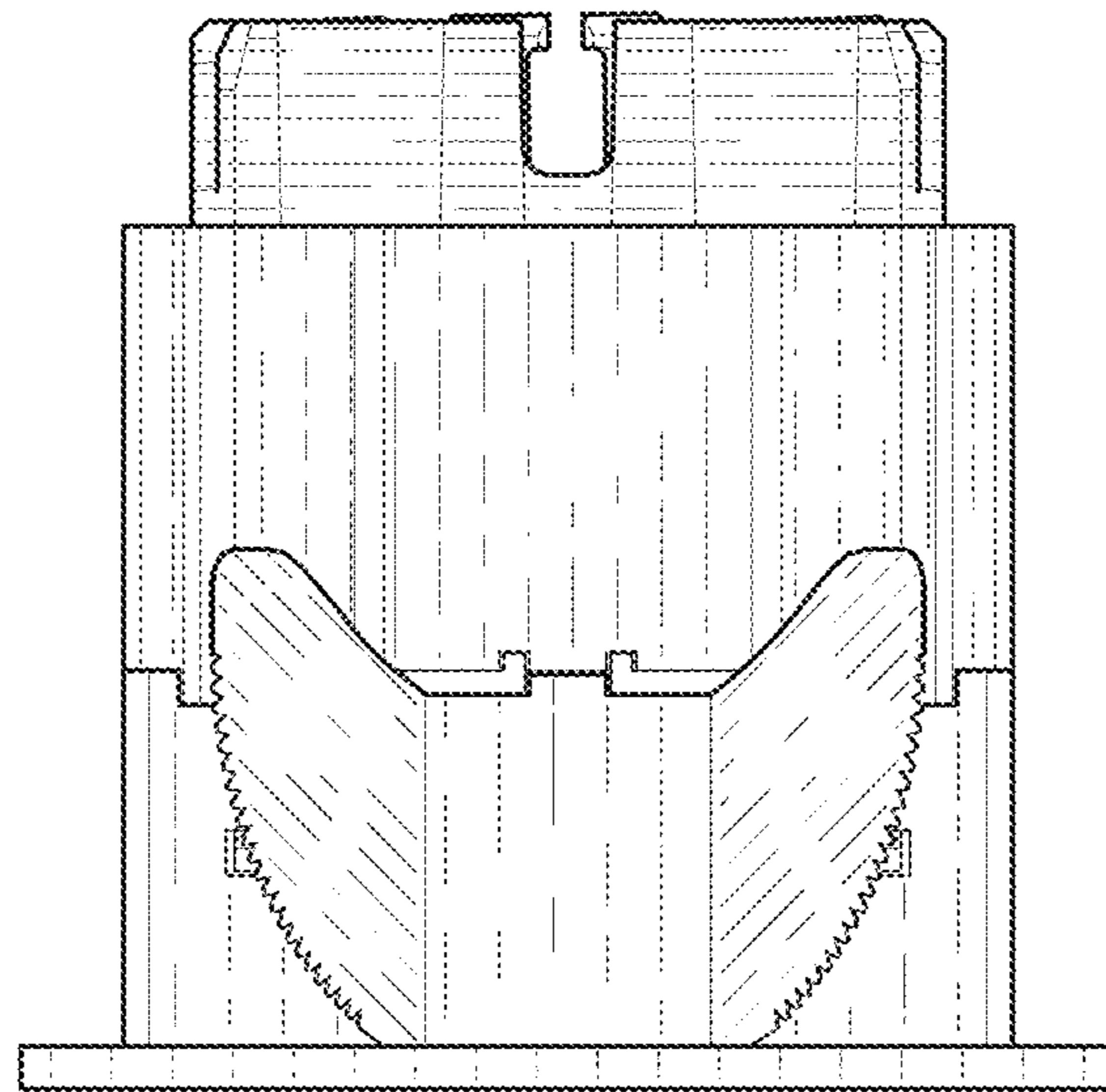


FIG. 3

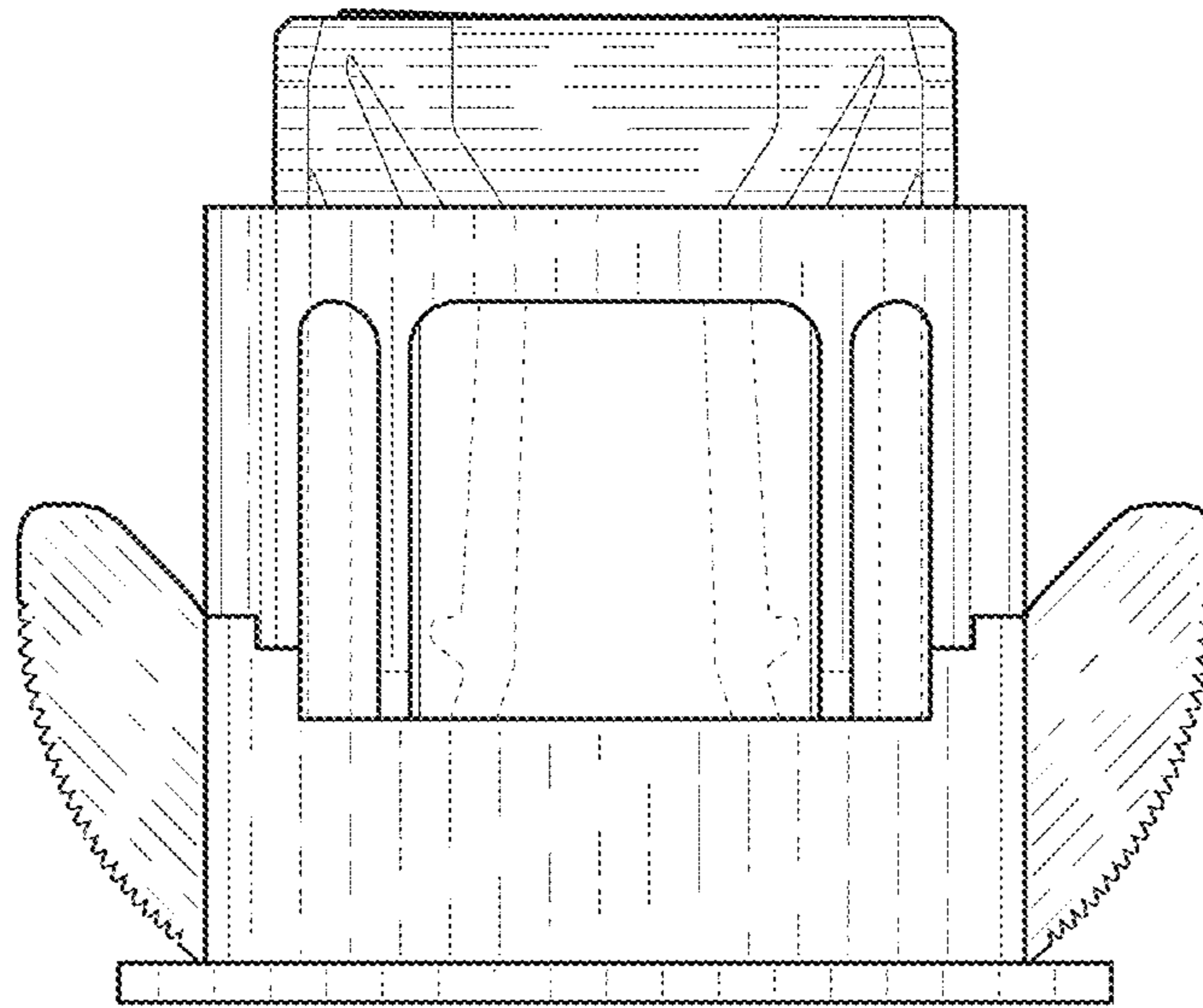


FIG. 4

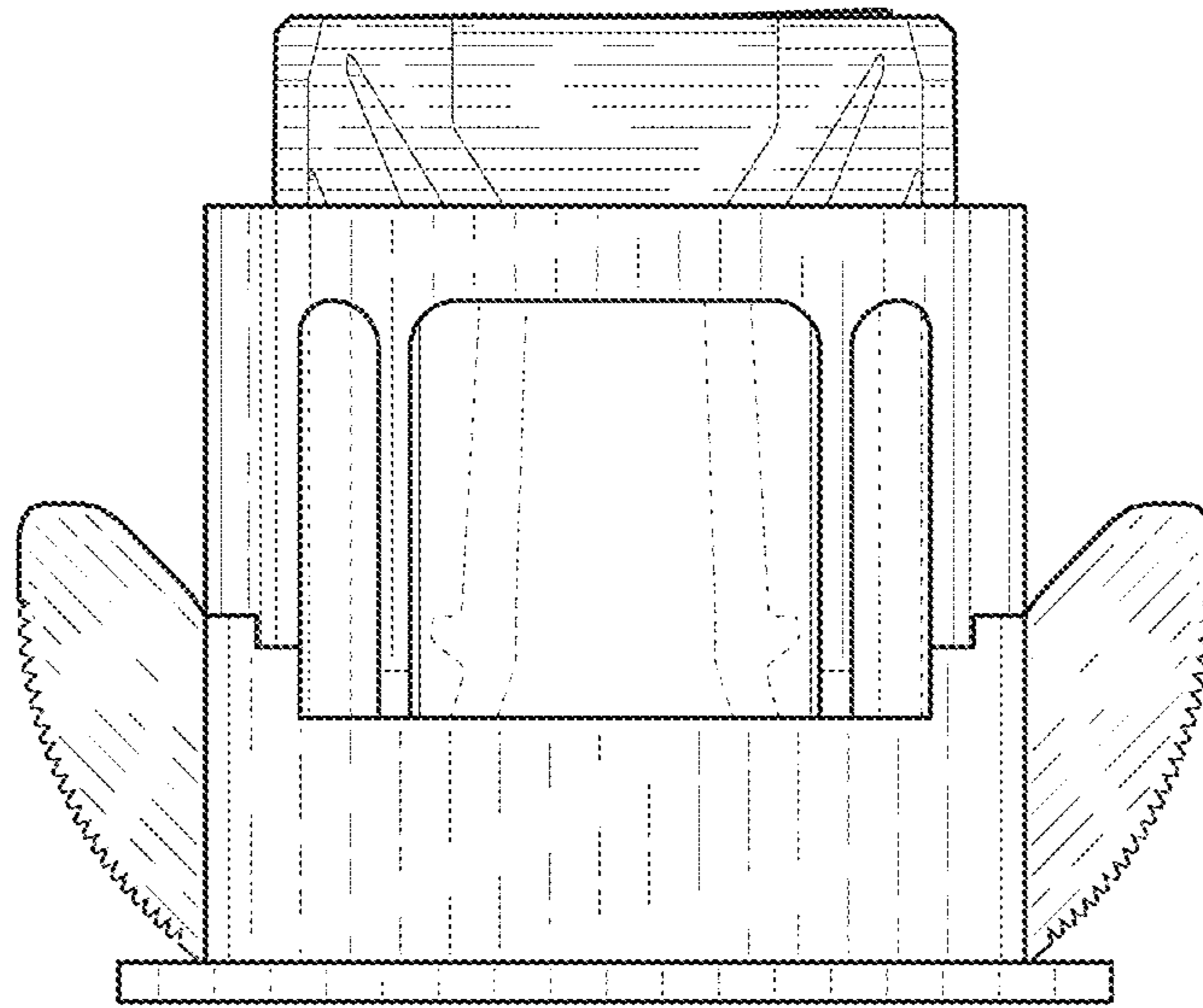


FIG. 5



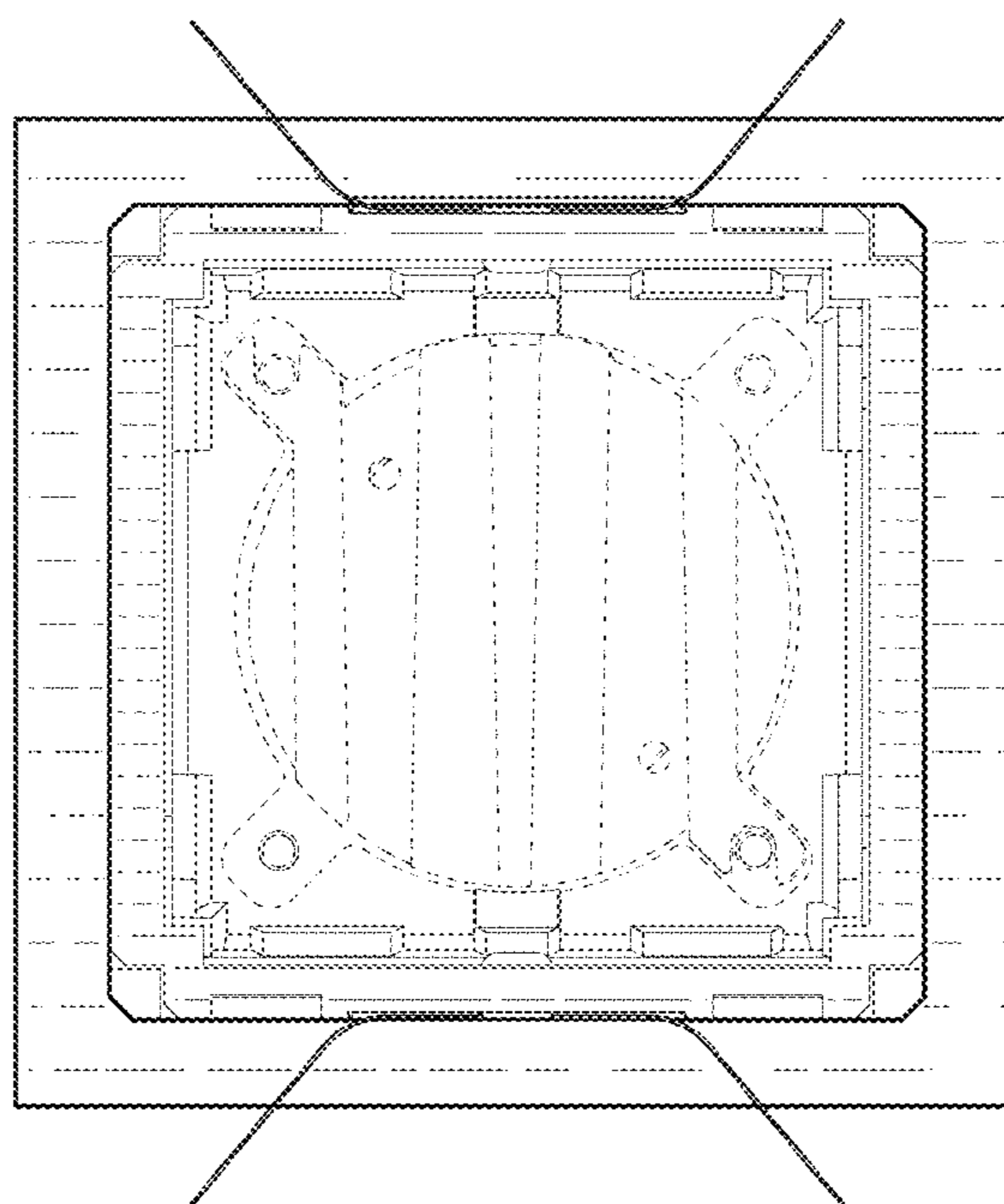


FIG. 6

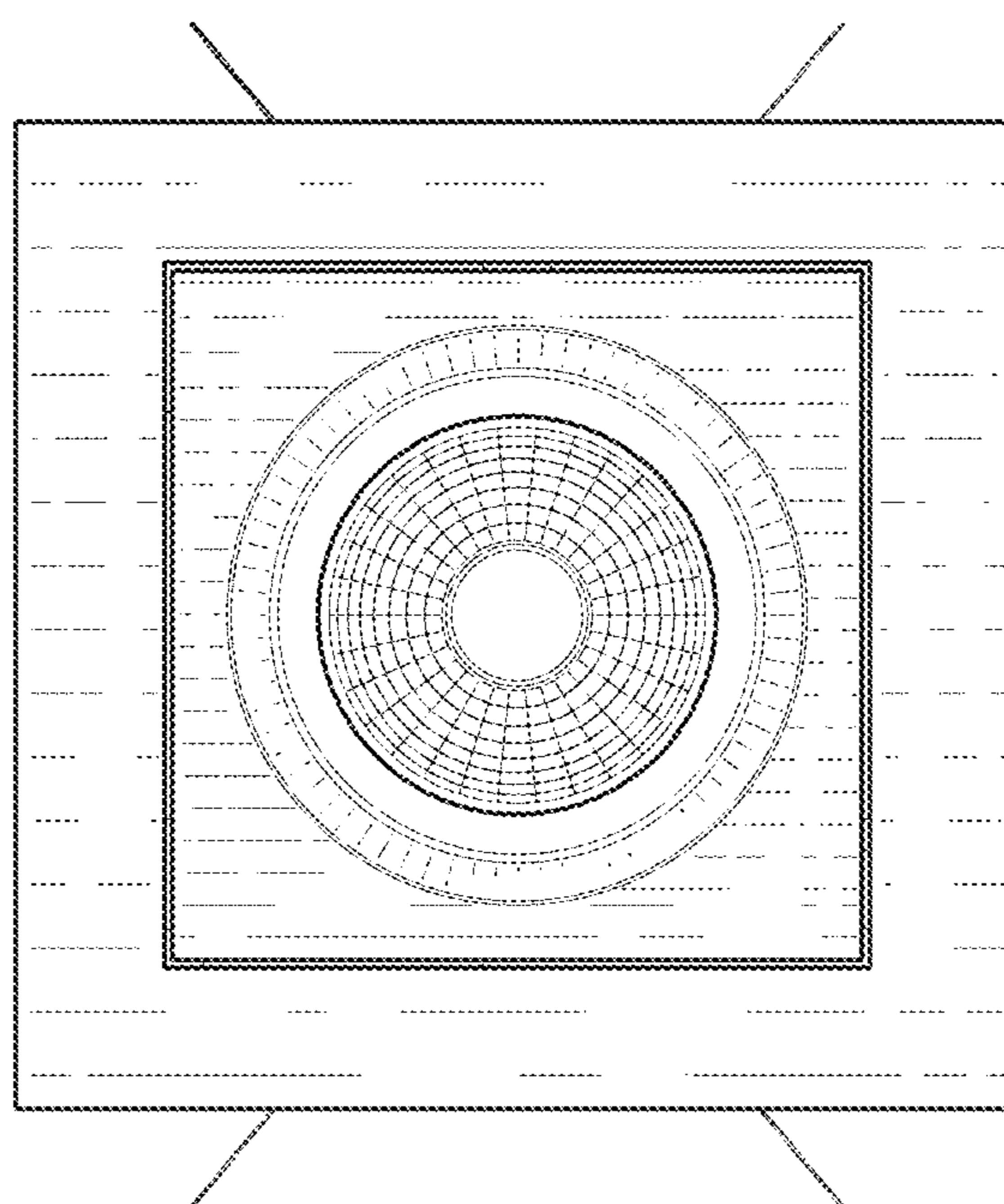


FIG. 7