



US00D854216S

(12) **United States Design Patent**
Coirier

(10) **Patent No.:** **US D854,216 S**

(45) **Date of Patent:** **** *Jul. 16, 2019**

(54) **LIGHTING FIXTURE**

(71) Applicant: **SIGNIFY HOLDING B.V.**, Eindhoven (NL)

(72) Inventor: **Florent Coirier**, Paris (FR)

(73) Assignee: **SIGNIFY HOLDING B.V.**, Eindhoven (NL)

(*) Notice: This patent is subject to a terminal disclaimer.

(**) Term: **15 Years**

(21) Appl. No.: **29/616,165**

(22) Filed: **Sep. 1, 2017**

(30) **Foreign Application Priority Data**

Mar. 14, 2017 (EM) 003799584-0010

(51) **LOC (11) Cl.** **26-05**

(52) **U.S. Cl.**
USPC **D26/74**

(58) **Field of Classification Search**
USPC D26/72, 74, 79, 82, 83, 85, 88, 89
CPC F21V 21/02; F21V 21/04; F21V 21/042;
F21V 21/044; F21V 21/047; F21V 29/00;
F21V 29/2212; F21V 29/72; F21V 29/75;
F21V 29/76; F21S 8/00; F21S 8/02; F21S
8/026; F21S 8/04; F21S 2/005
See application file for complete search history.

(56) **References Cited**

U.S. PATENT DOCUMENTS

2,626,120 A * 1/1953 Baker F21V 21/02
174/62
D247,562 S * 3/1978 Walker D14/209

D264,007 S * 4/1982 Heritage D26/63
D264,254 S * 5/1982 Heritage D26/63
D291,253 S * 8/1987 Ortega D26/29
D315,417 S * 3/1991 Ziaylek, Jr. D26/24
D469,212 S * 1/2003 Chiu D26/118
D473,966 S * 4/2003 Lecluze D26/74
D595,452 S * 6/2009 Khang F21S 8/026
D26/138
D610,289 S * 2/2010 Yoshinobu D26/74
D633,636 S * 3/2011 Gielen D26/74
D639,993 S * 6/2011 Mier-Langner F21S 8/02
D26/74
D641,914 S * 7/2011 Sprengers D26/89
D681,861 S * 5/2013 Soni D26/74
D713,585 S * 9/2014 Van Lierde D26/66
D769,503 S * 10/2016 Van Lierde D26/74
D838,892 S * 1/2019 Redfern D26/74
2003/0142499 A1 * 7/2003 Chiu F21S 2/005
362/368

* cited by examiner

Primary Examiner — Cathron C Brooks

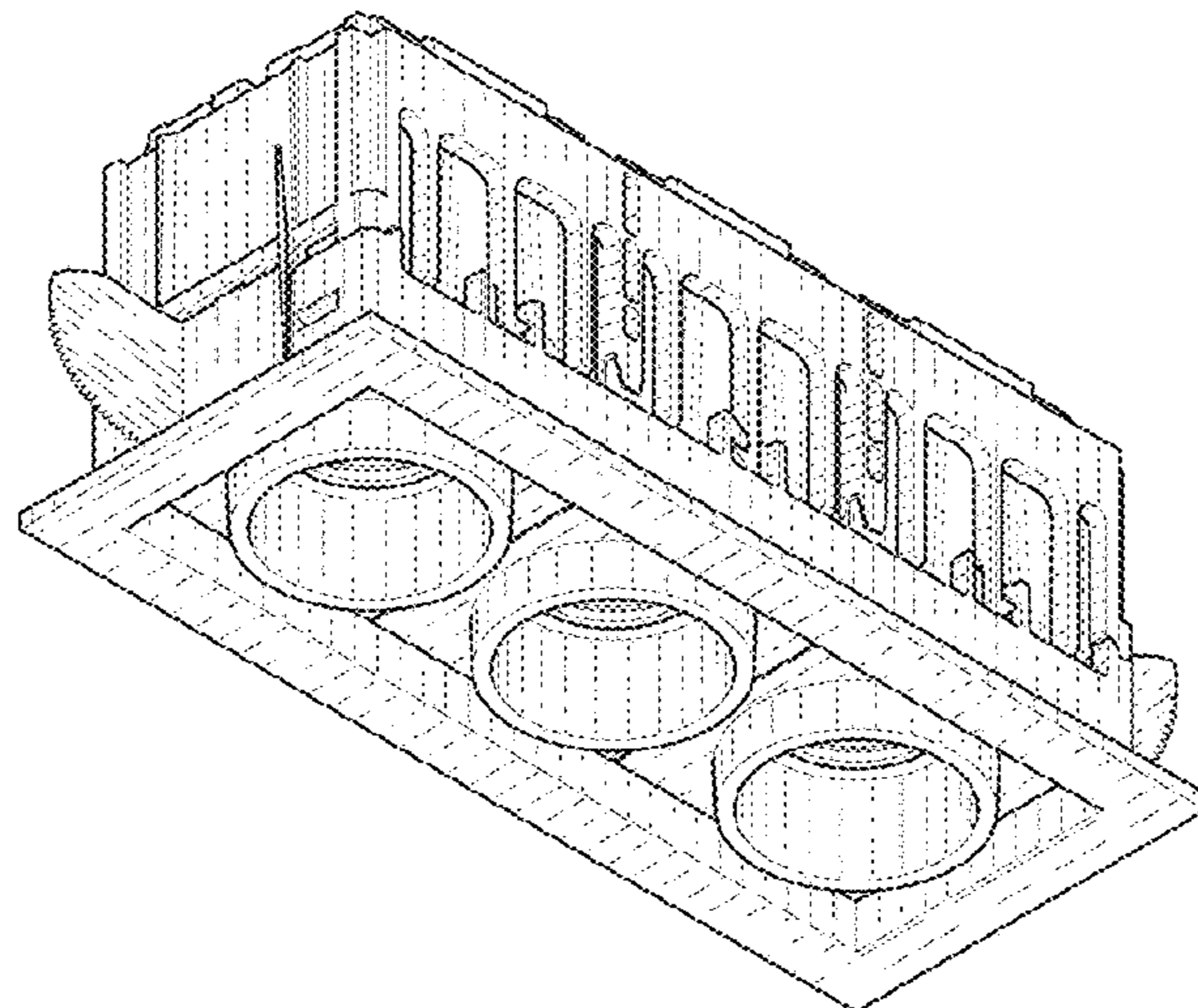
(57) **CLAIM**

The ornamental design for a “lighting fixture”, as shown and described.

DESCRIPTION

FIG. 1 is a perspective view showing my design;
FIG. 2 is a front elevational view thereof;
FIG. 3 is a rear elevational view thereof;
FIG. 4 is a right side elevational view thereof;
FIG. 5 is a left side elevational view thereof;
FIG. 6 is a top plan view thereof; and,
FIG. 7 is a bottom plan view thereof.
The broken lines in the reproductions illustrate portions of the lighting fixture that form not part of the claimed design.

1 Claim, 4 Drawing Sheets



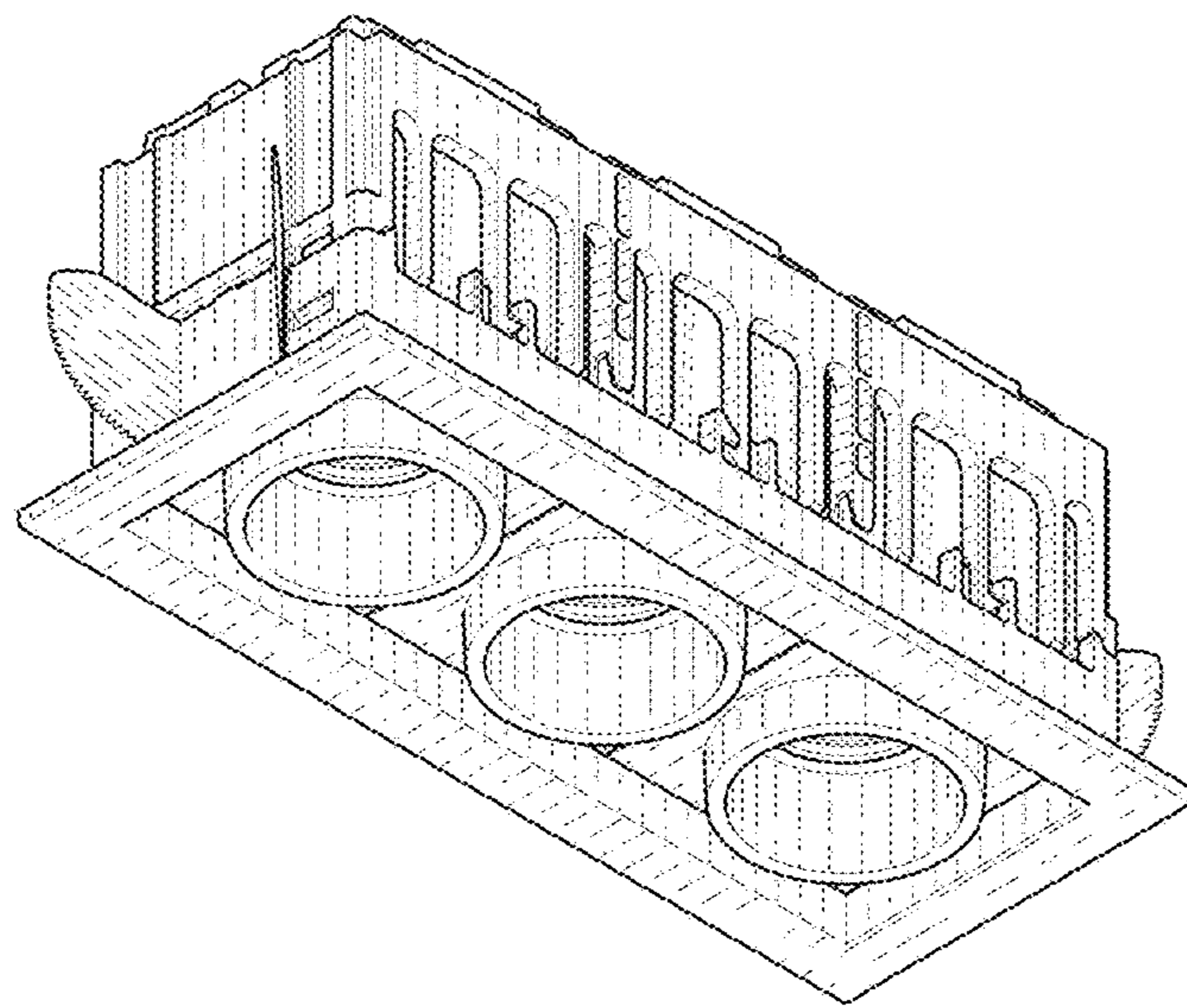


FIG. 1

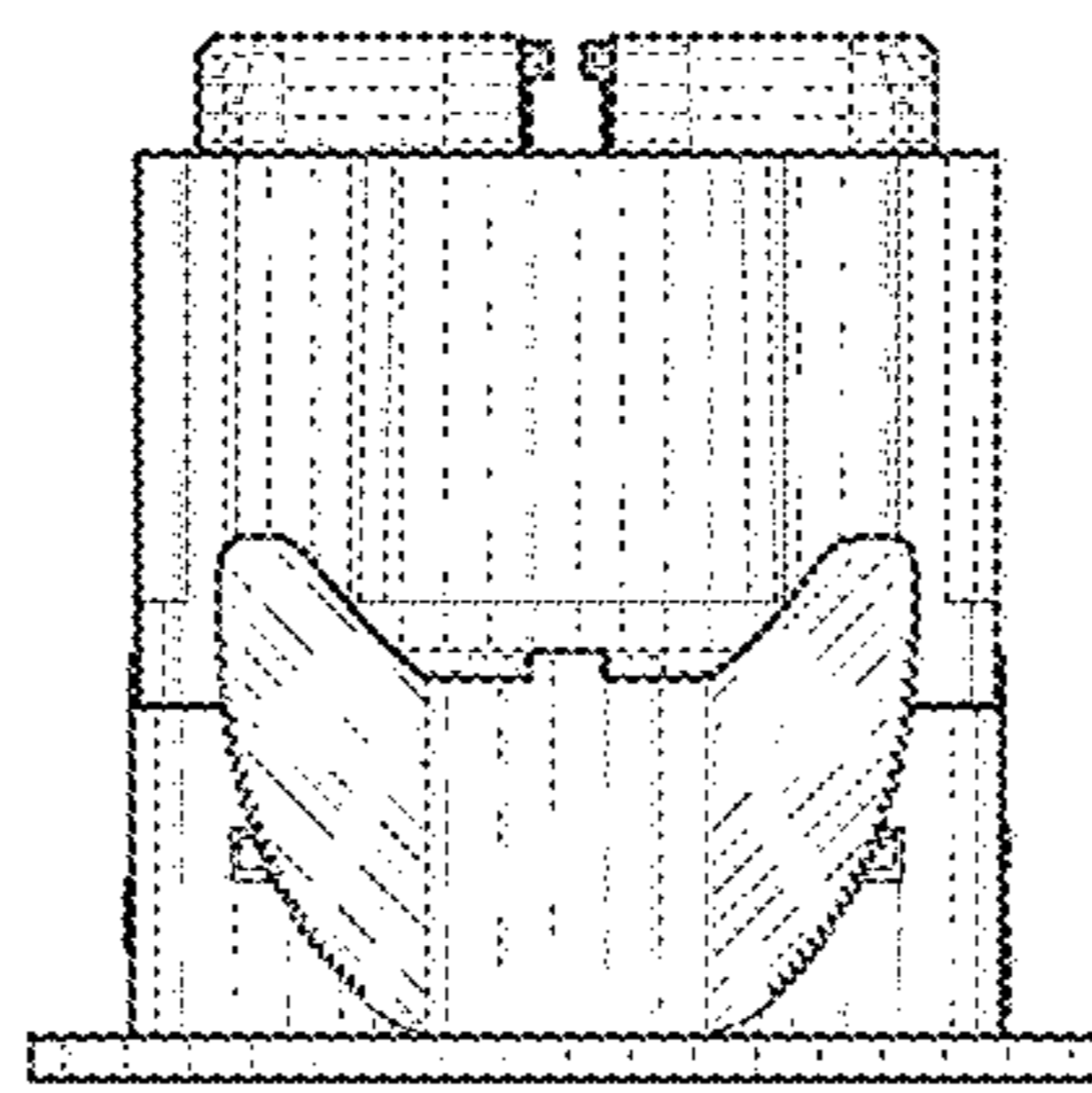


FIG. 2

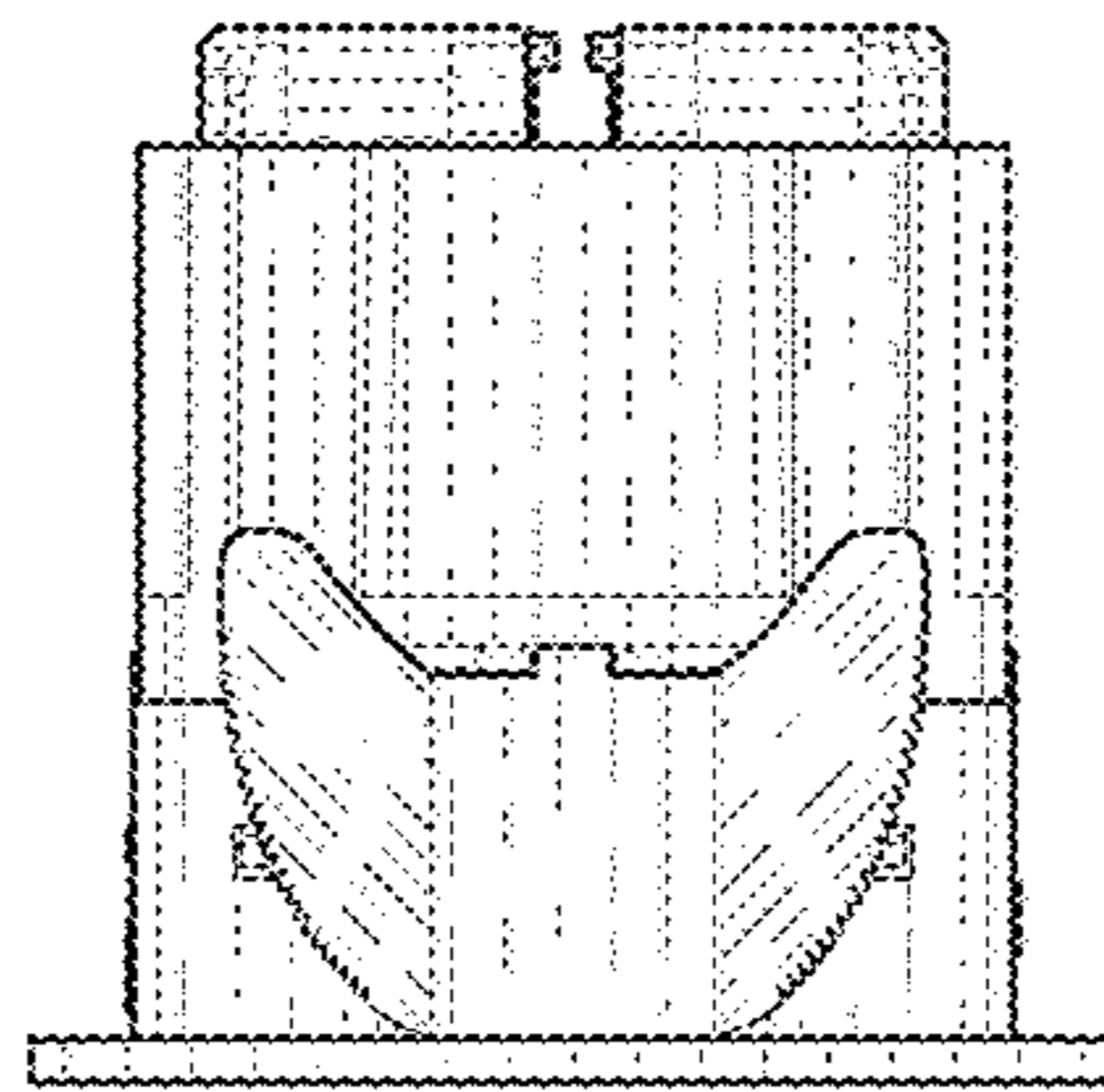


FIG. 3

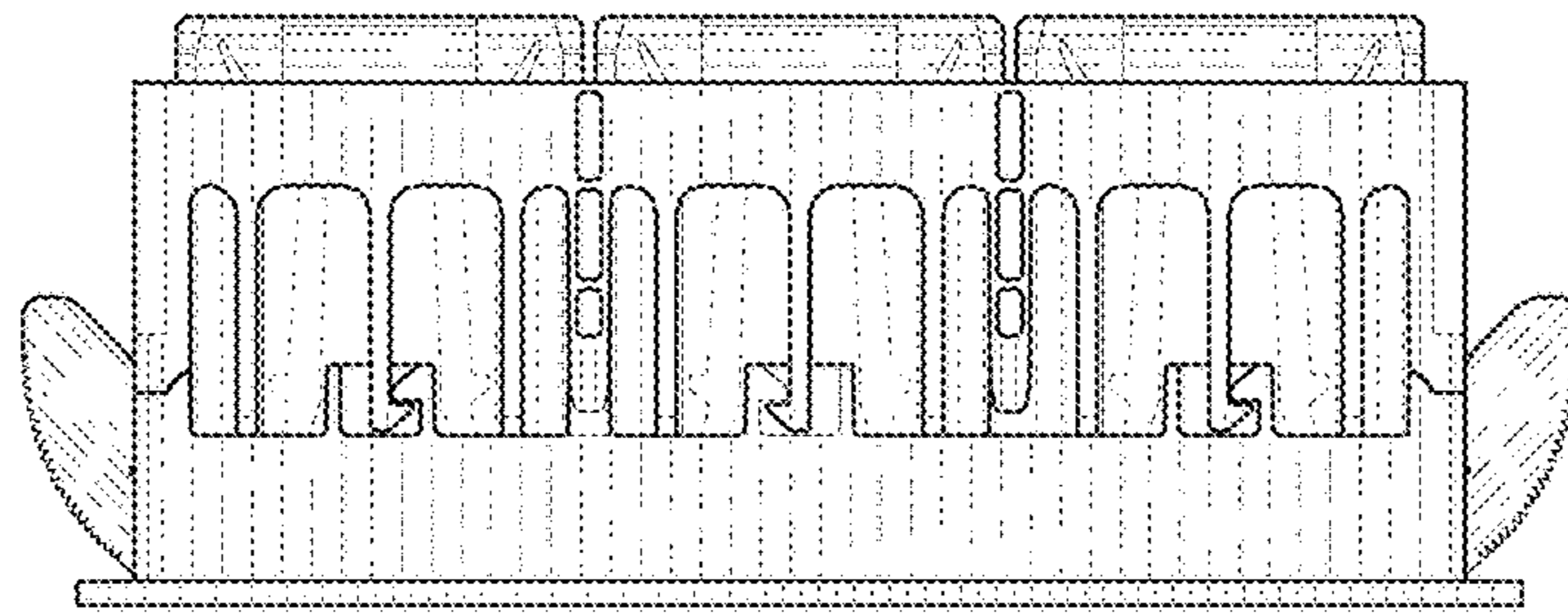


FIG. 4

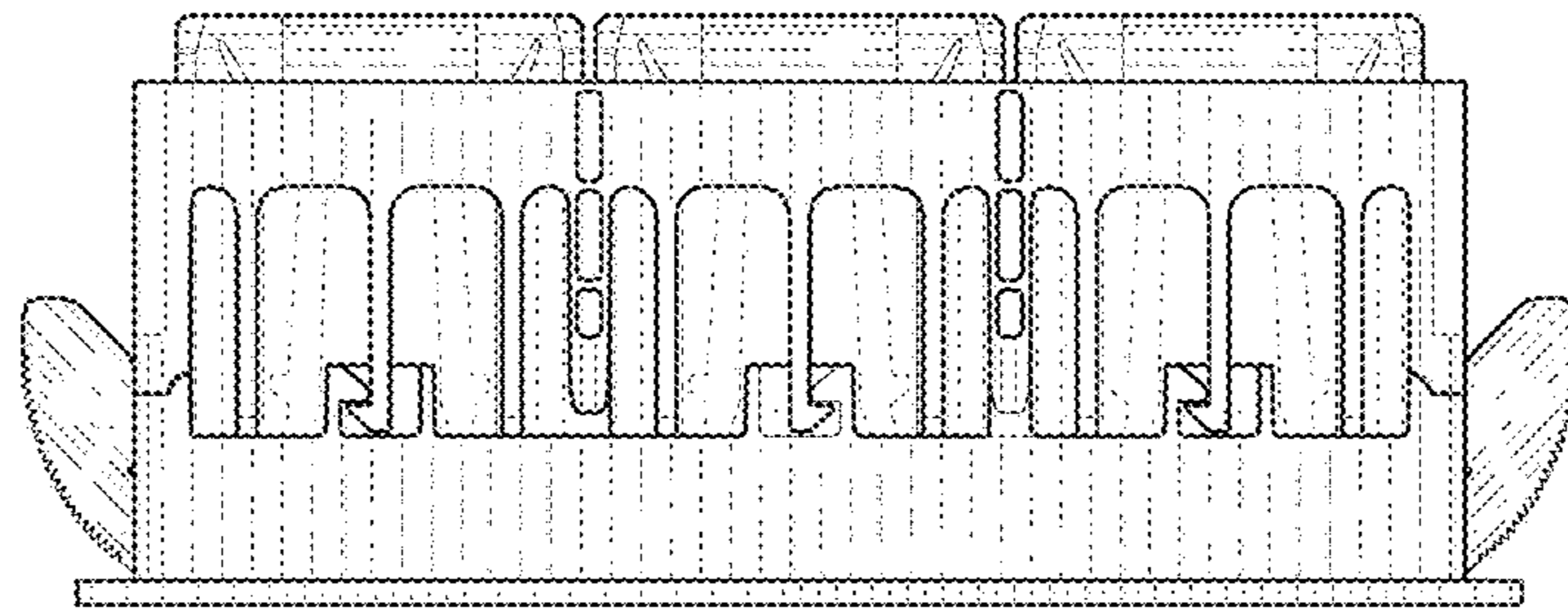


FIG. 5

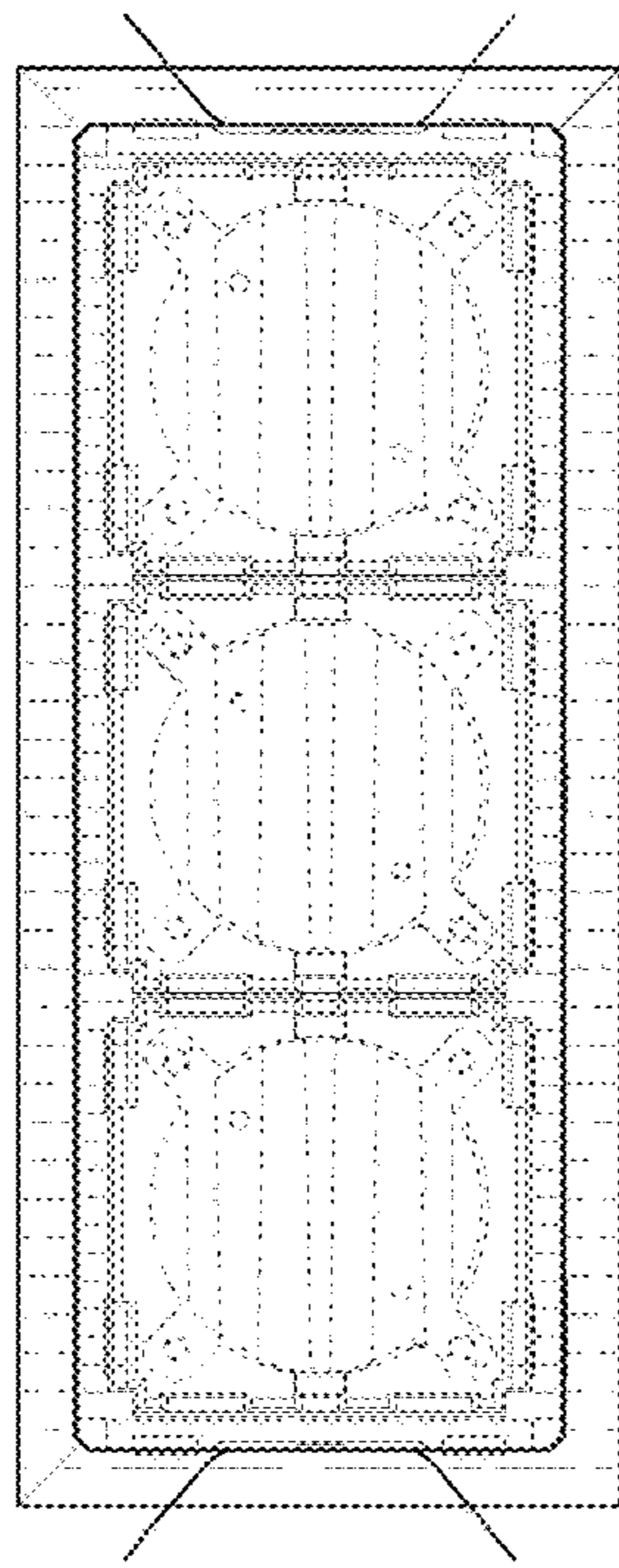


FIG. 6

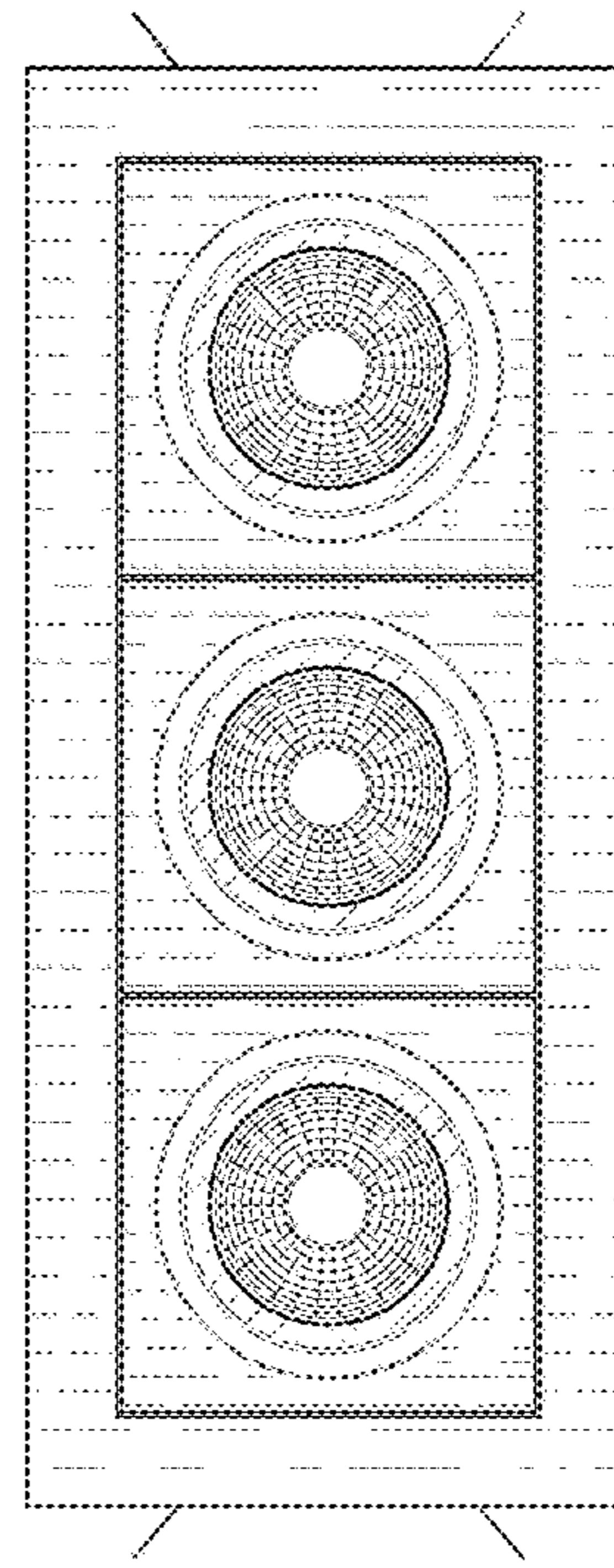


FIG. 7