



US00D854214S

(12) **United States Design Patent**  
**Coirier**

(10) **Patent No.:** **US D854,214 S**

(45) **Date of Patent:** **\*\* \*Jul. 16, 2019**

(54) **LIGHTING FIXTURE**

(71) Applicant: **SIGNIFY HOLDING B.V.**, Eindhoven (NL)

(72) Inventor: **Florent Coirier**, Paris (FR)

(73) Assignee: **SIGNIFY HOLDING B.V.**, Eindhoven (NL)

(\*) Notice: This patent is subject to a terminal disclaimer.

(\*\*) Term: **15 Years**

(21) Appl. No.: **29/616,158**

(22) Filed: **Sep. 1, 2017**

(30) **Foreign Application Priority Data**

Mar. 14, 2017 (EM) ..... 003799584-0005

(51) **LOC (11) Cl.** ..... **26-05**

(52) **U.S. Cl.**  
USPC ..... **D26/74**

(58) **Field of Classification Search**

USPC ..... D26/72, 74, 79, 82, 83, 85, 88, 89  
CPC ..... F21V 21/02; F21V 21/04; F21V 21/042;  
F21V 21/044; F21V 21/047; F21V 29/00;  
F21V 29/2212; F21V 29/72; F21V 29/75;  
F21V 29/76; F21S 8/00; F21S 8/02; F21S  
8/026; F21S 8/04; F21S 2/005  
See application file for complete search history.

(56) **References Cited**

**U.S. PATENT DOCUMENTS**

2,626,120 A \* 1/1953 Baker ..... F21V 21/02  
174/62  
D315,417 S \* 3/1991 Ziaylek, Jr. et al. .... D26/28

D469,212 S \* 1/2003 Chiu ..... D26/118  
D601,741 S \* 10/2009 Trott ..... D26/118  
D610,289 S \* 2/2010 Yoshinobu ..... D26/74  
D698,970 S \* 2/2014 Guzzini ..... D26/74  
D713,585 S \* 9/2014 Van Lierde ..... D26/66  
D740,996 S \* 10/2015 Tragatschnig ..... D26/118  
D769,502 S \* 10/2016 Van Lierde ..... D26/74  
D779,101 S \* 2/2017 Redfern ..... D26/74  
D785,227 S \* 4/2017 Guzzini ..... D26/74  
D785,228 S \* 4/2017 Guzzini ..... D26/74  
D789,586 S \* 6/2017 Guzzini ..... D26/74  
D789,587 S \* 6/2017 Salomon ..... D26/74  
D805,674 S \* 12/2017 Salomon ..... D26/74  
D807,558 S \* 1/2018 Guzzini ..... D26/74  
D831,873 S \* 10/2018 Rybol ..... D26/74  
D838,892 S \* 1/2019 Redfern ..... D26/74

\* cited by examiner

*Primary Examiner* — Cathron C Brooks

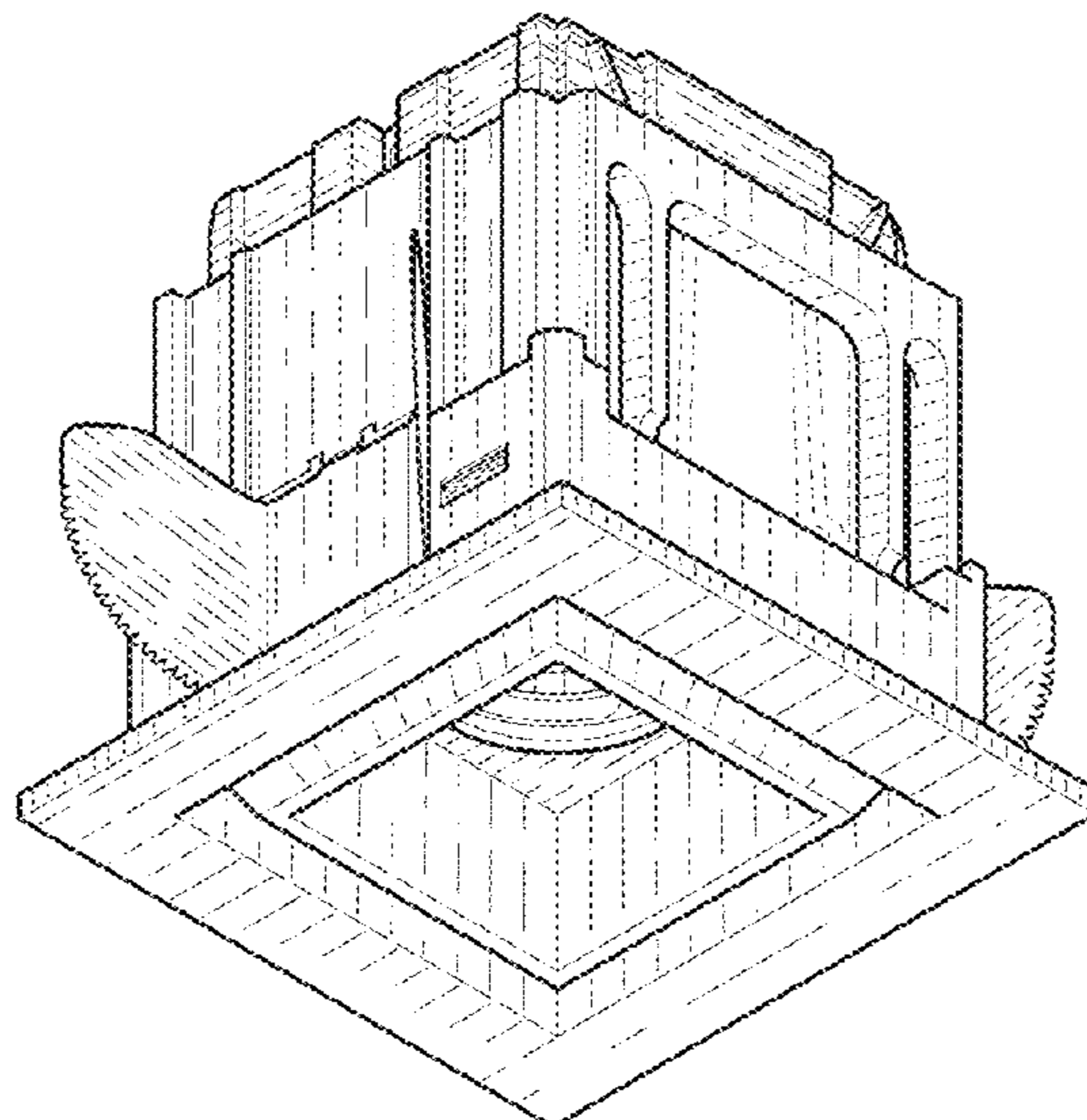
(57) **CLAIM**

The ornamental design for a “lighting fixture”, as shown and described.

**DESCRIPTION**

FIG. 1 is a perspective view showing my design;  
FIG. 2 is a front elevational view thereof;  
FIG. 3 is a rear elevational view thereof;  
FIG. 4 is a right side elevational view thereof;  
FIG. 5 is a left side elevational view thereof;  
FIG. 6 is a top plan view thereof; and,  
FIG. 7 is a bottom plan view thereof.  
The broken lines in the reproductions illustrate portions of the lighting fixture that form not part of the claimed design.

**1 Claim, 4 Drawing Sheets**



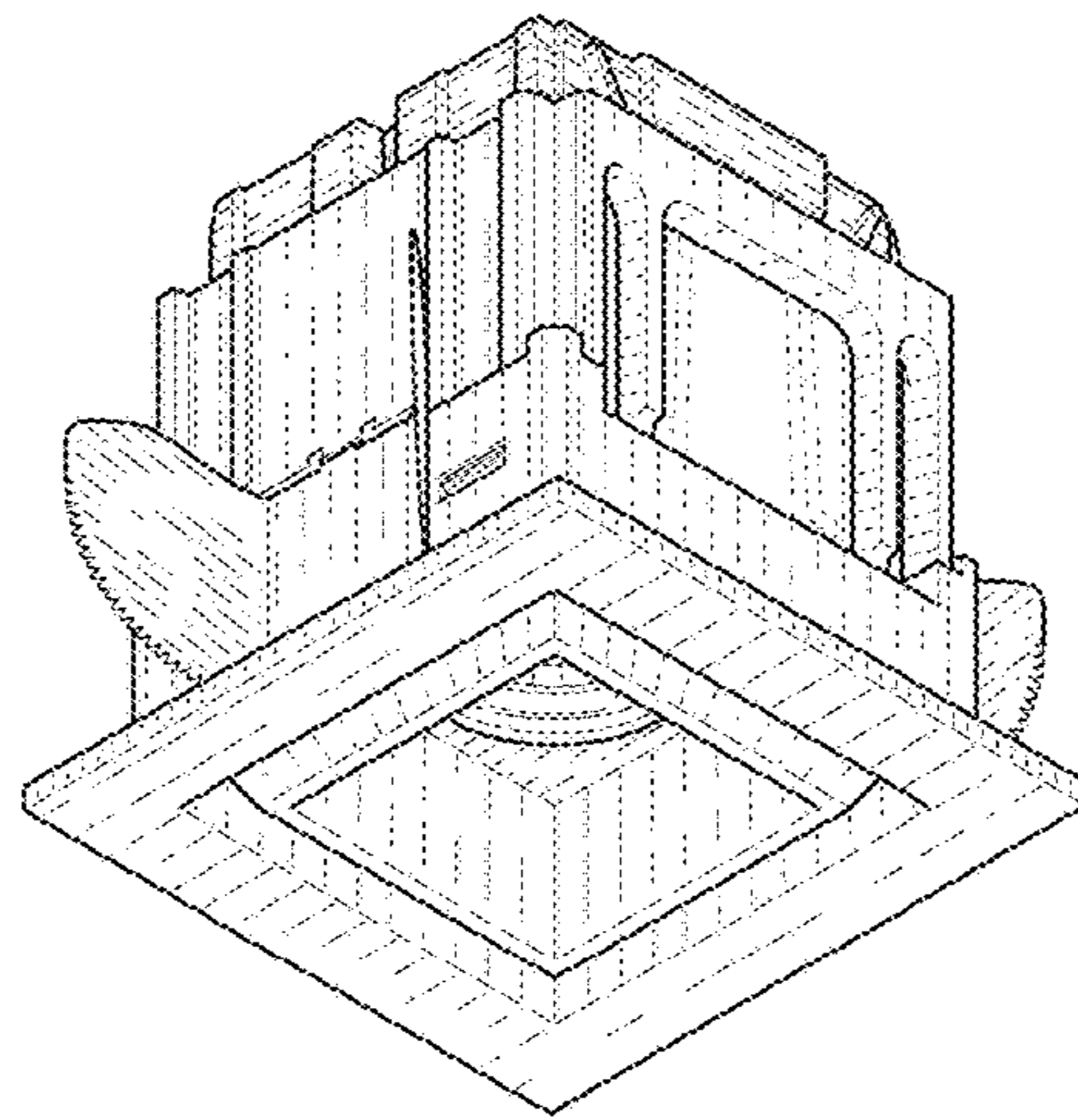


FIG. 1

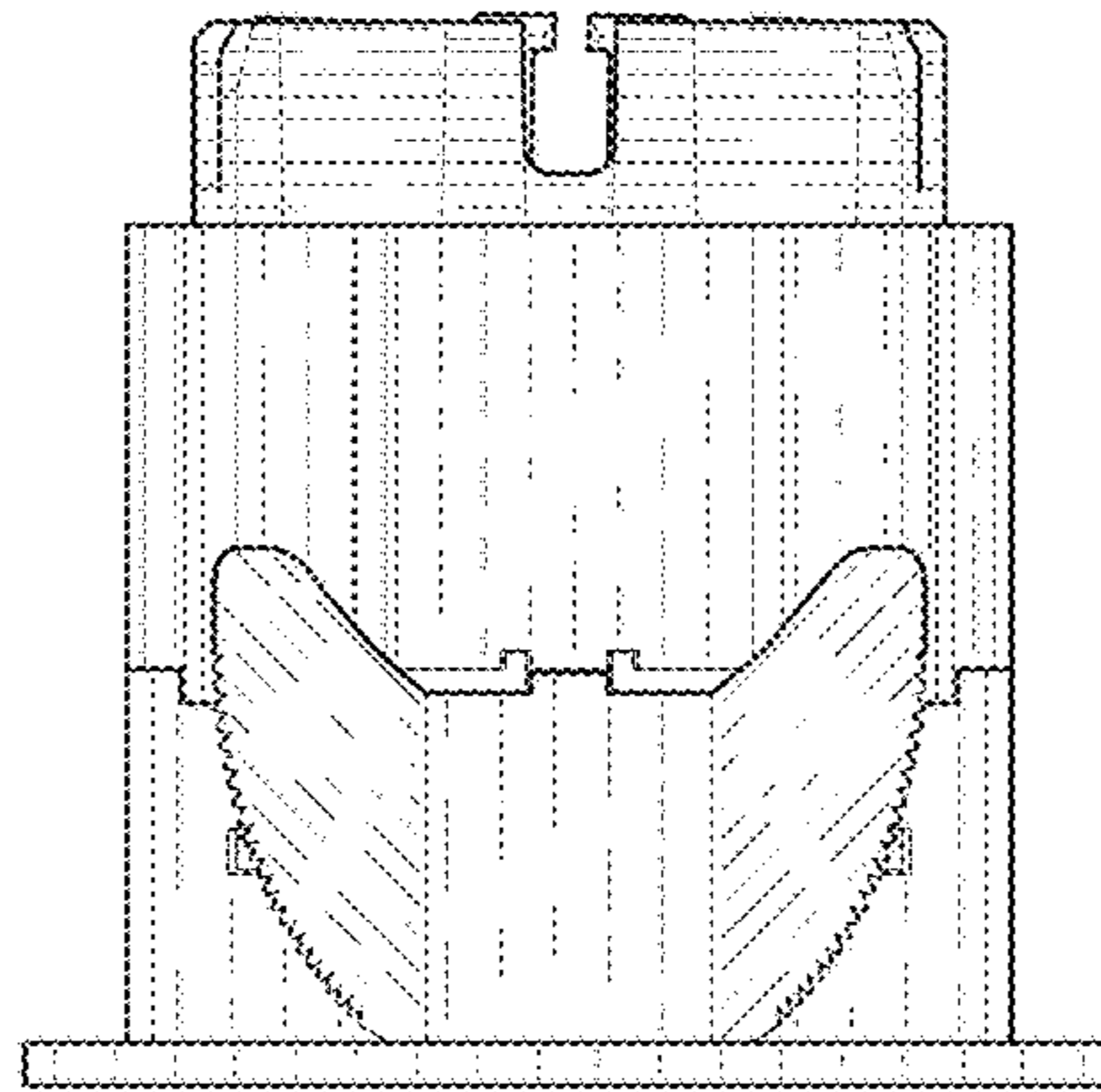


FIG. 2

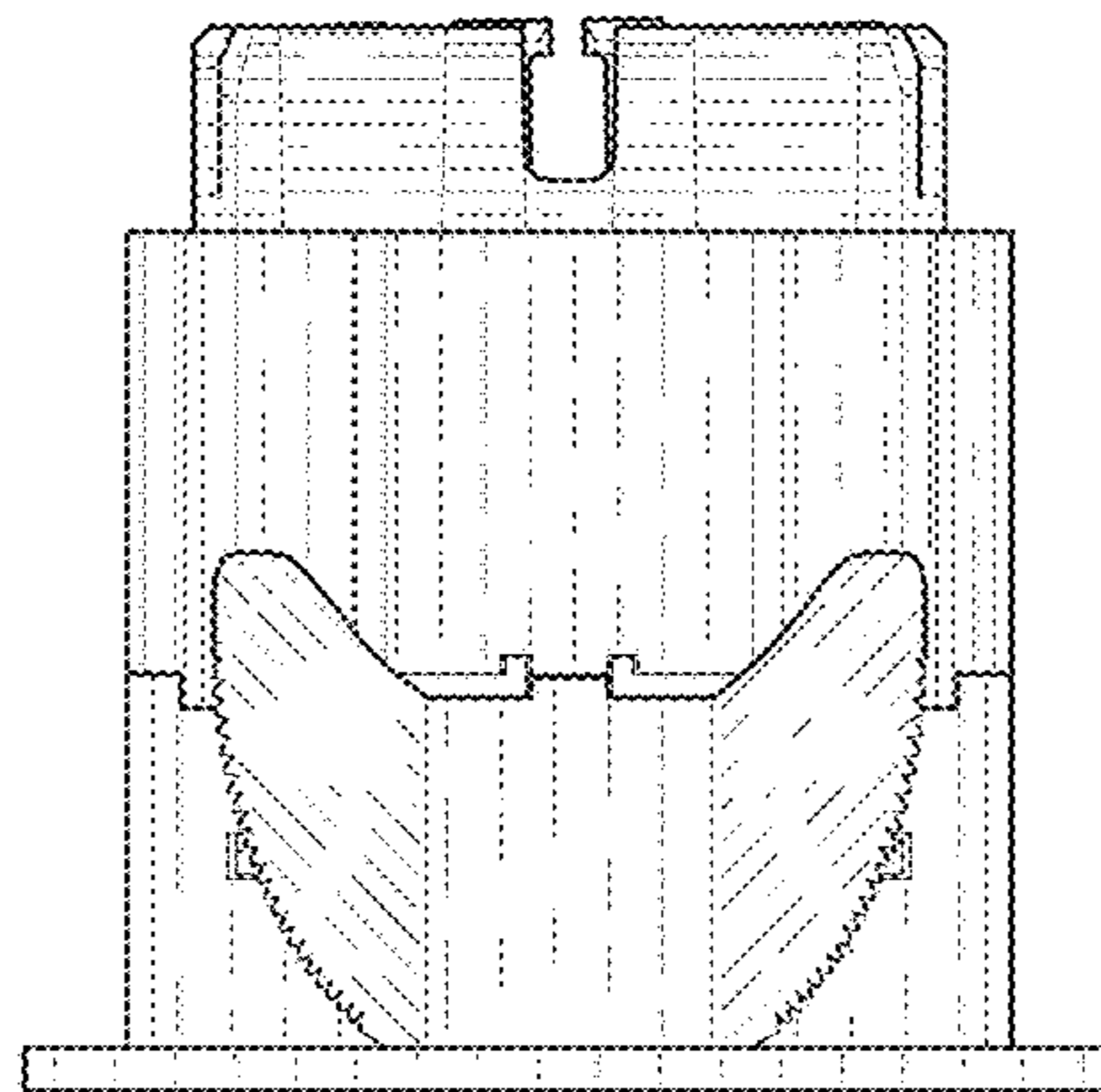


FIG. 3

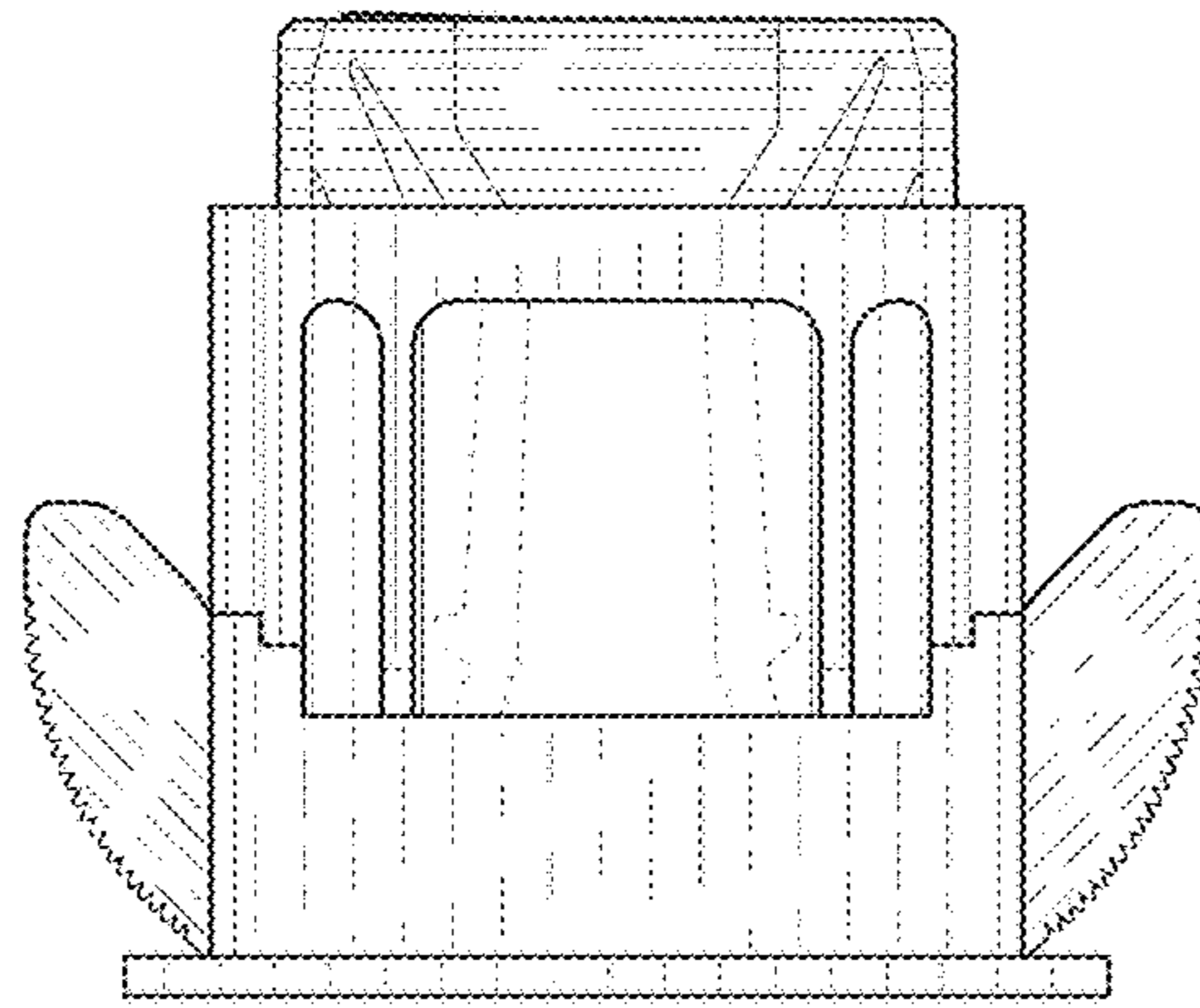


FIG. 4

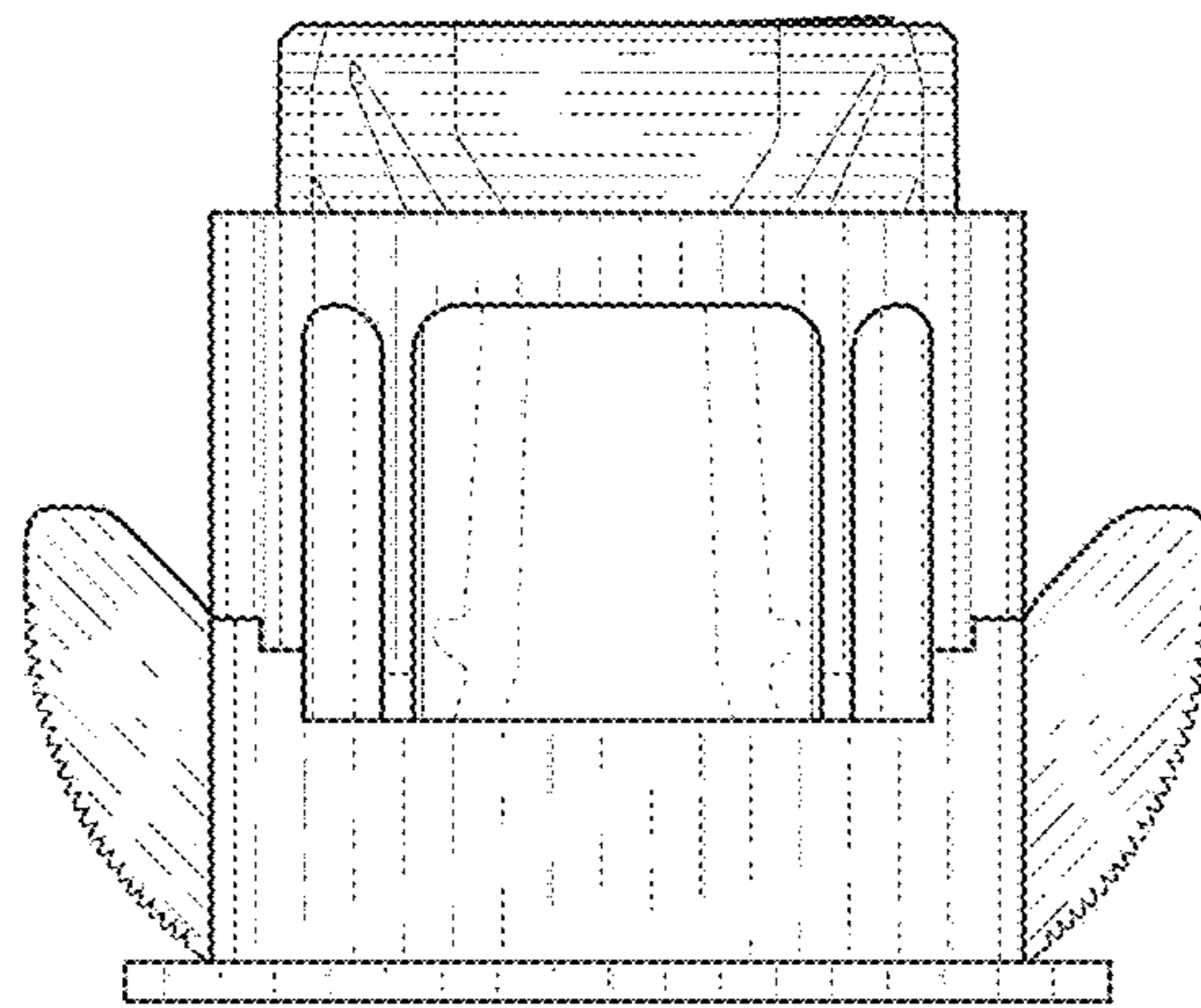


FIG. 5

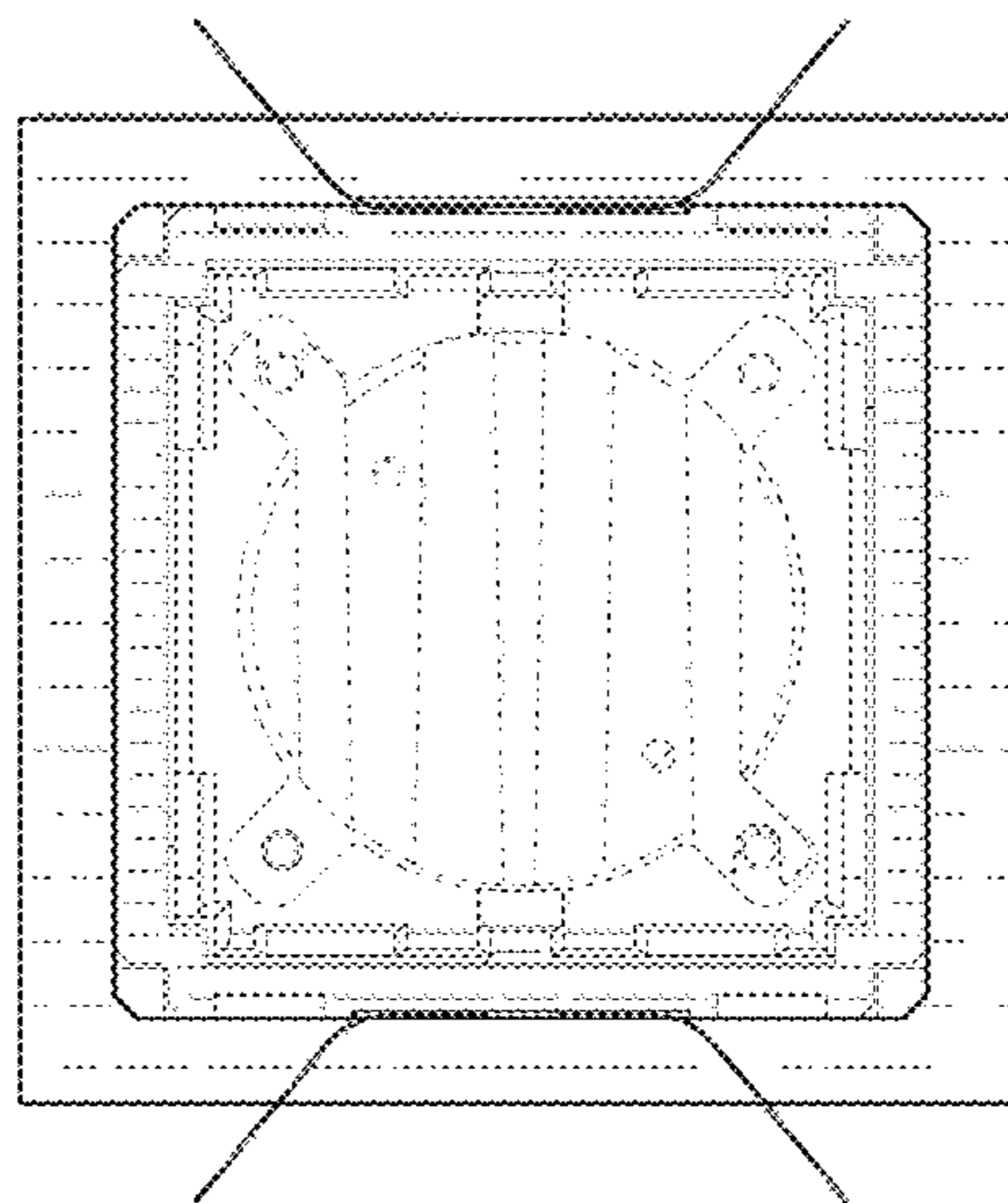


FIG. 6

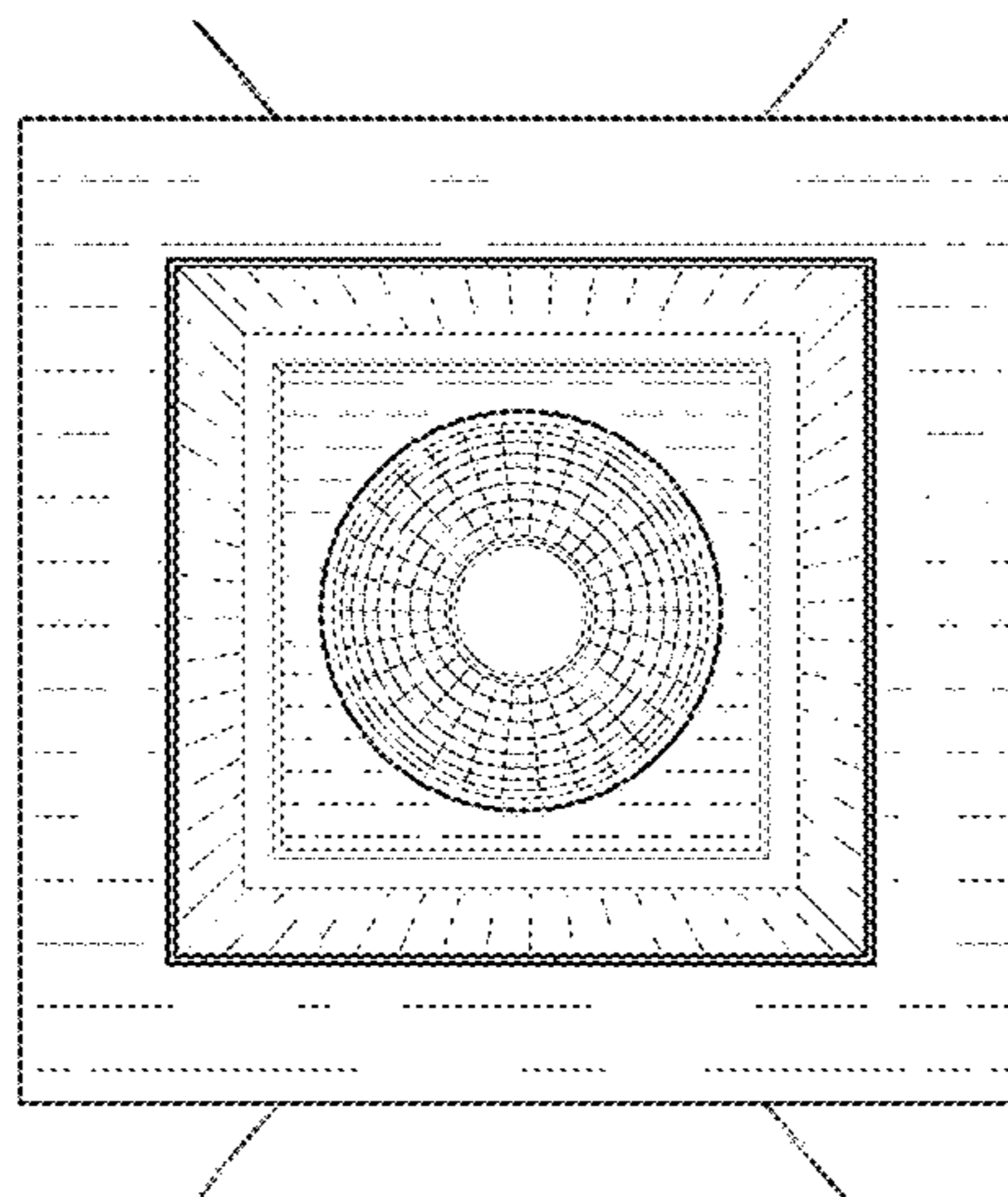


FIG. 7