



US00D854213S

(12) **United States Design Patent** (10) **Patent No.:** **US D854,213 S**
Ji (45) **Date of Patent:** **** Jul. 16, 2019**

(54) **OUTDOOR LAWN LANDSCAPE LAMP**

(71) Applicant: **Shaoqi Ji**, Hunan (CN)

(72) Inventor: **Shaoqi Ji**, Hunan (CN)

(**) Term: **15 Years**

(21) Appl. No.: **29/618,361**

(22) Filed: **Sep. 20, 2017**

(30) **Foreign Application Priority Data**

Mar. 21, 2017 (CN) 2017 3 0084710

(51) **LOC (11) Cl.** **26-03**

(52) **U.S. Cl.**
USPC **D26/63**

(58) **Field of Classification Search**
USPC D26/24, 60-65, 93
CPC F21S 8/00; F21S 8/02; F21S 8/003; F21S 8/026; F21S 8/03; F21S 8/038; F21S 8/04; F21S 8/043; F21S 6/00; F21V 5/046; F21V 5/04; F21V 1/00; F21V 5/00; F21V 21/02; F21V 15/01
See application file for complete search history.

(56) **References Cited**

U.S. PATENT DOCUMENTS

D242,945 S * 1/1977 Moore D26/65
D316,303 S * 4/1991 Layne D26/63
D335,193 S * 4/1993 Shaanan D26/63

D346,234 S * 4/1994 Sammis D26/63
D407,518 S * 3/1999 Yeh D26/63
D427,696 S * 7/2000 Scott D26/63
D562,486 S * 2/2008 Luke D26/61
D715,474 S * 10/2014 Janos D26/63
D729,965 S * 5/2015 Recker D26/63
D767,192 S * 9/2016 Cai D26/63
D806,298 S * 12/2017 Recker D26/63
D812,280 S * 3/2018 Lechtenberg D26/63

* cited by examiner

Primary Examiner — Brian N. Vinson

(57) **CLAIM**

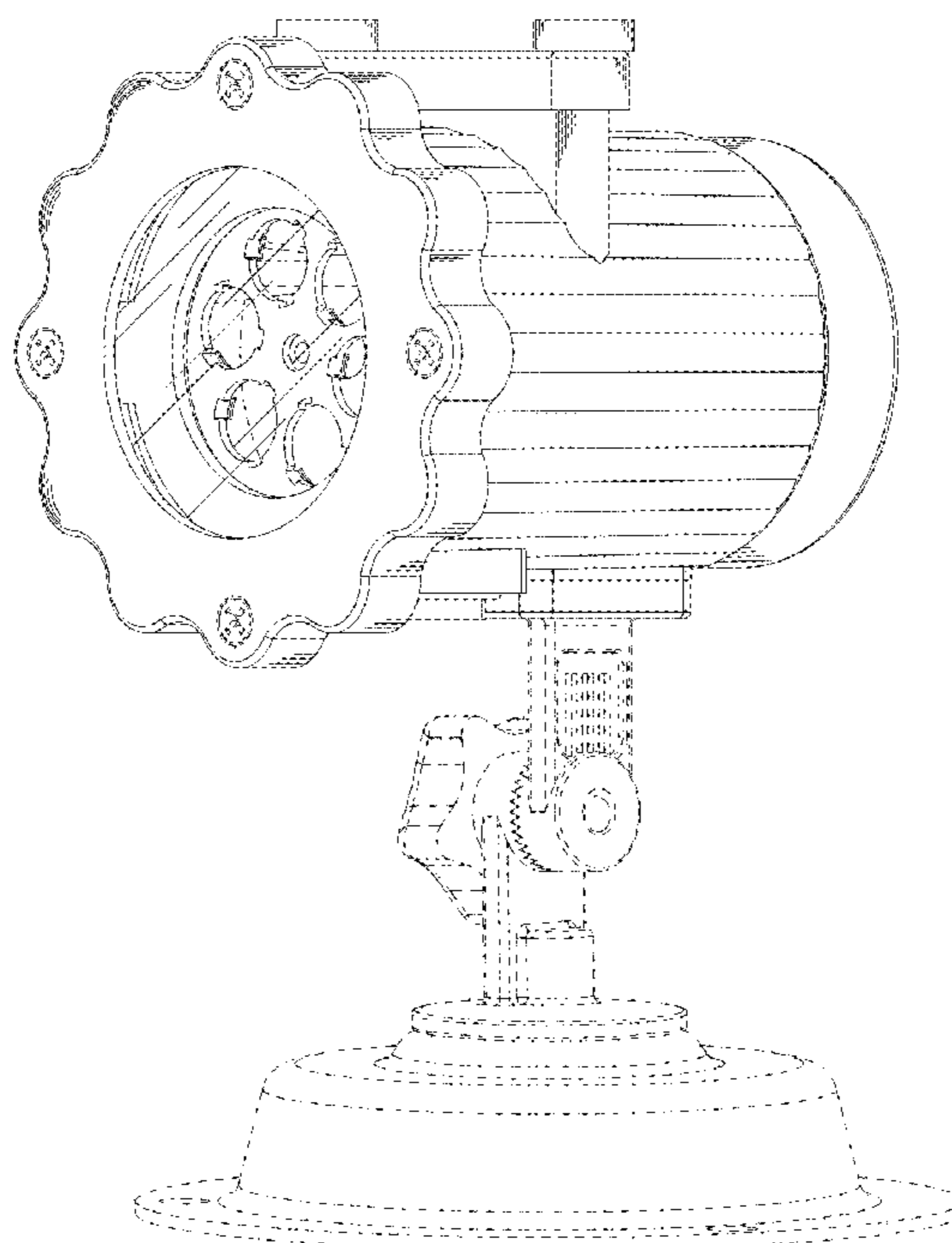
The ornamental design for an outdoor lawn landscape lamp, as shown and described.

DESCRIPTION

FIG. 1 is a front elevational view of an outdoor lawn landscape lamp showing my new design; FIG. 2 is a rear elevational view thereof; FIG. 3 is a left side view thereof; FIG. 4 is a right side view thereof; FIG. 5 is a top plan view thereof; FIG. 6 is a bottom plan view thereof; FIG. 7 is a first perspective view thereof; FIG. 8 is a second perspective view thereof; and, FIG. 9 is a third perspective view thereof. The broken lines in the drawings illustrate portions of the outdoor lawn landscape lamp which form no part of the claimed design.

The diagonal lines indicate transparency.

1 Claim, 9 Drawing Sheets



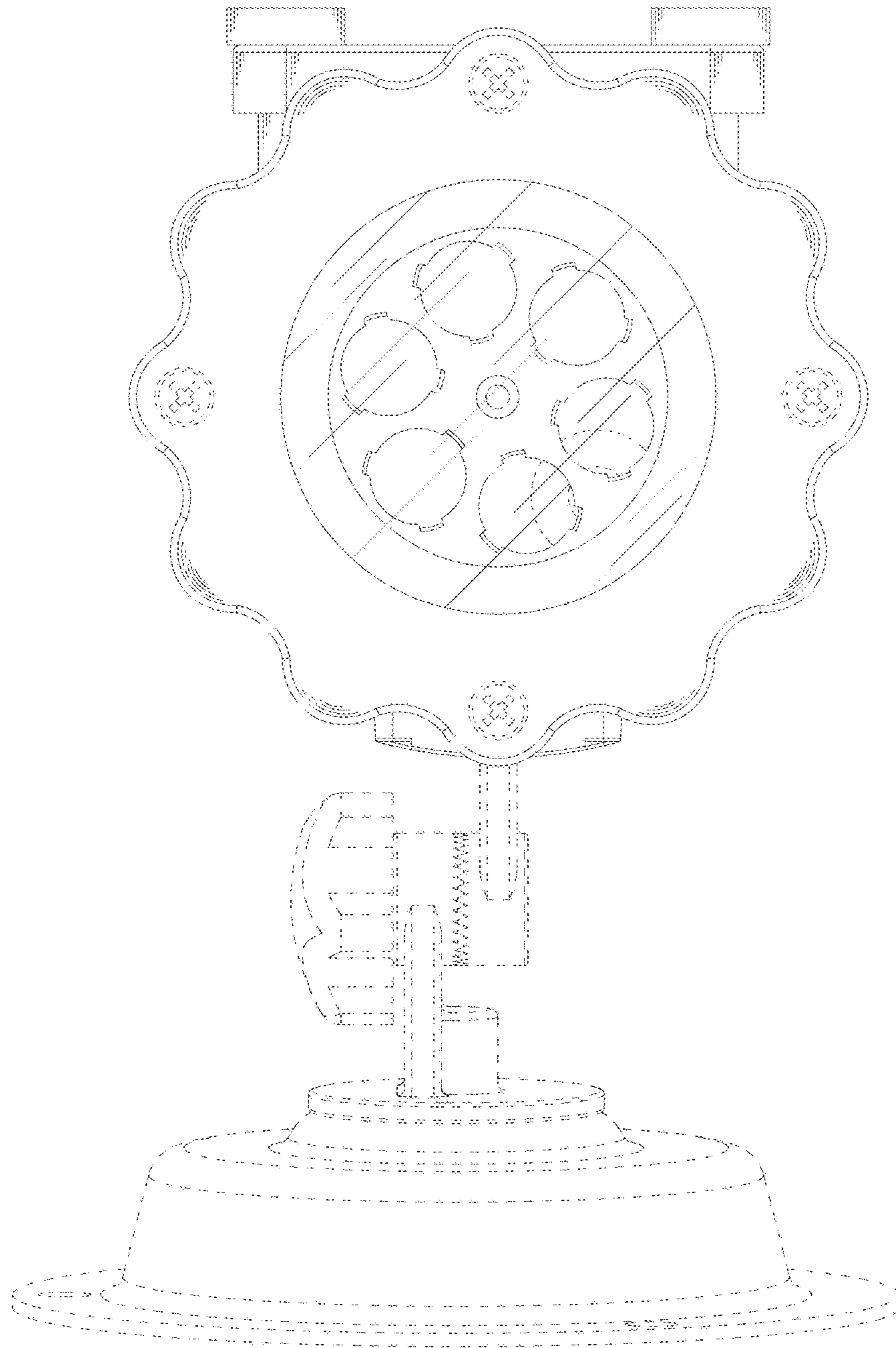


FIG. 1

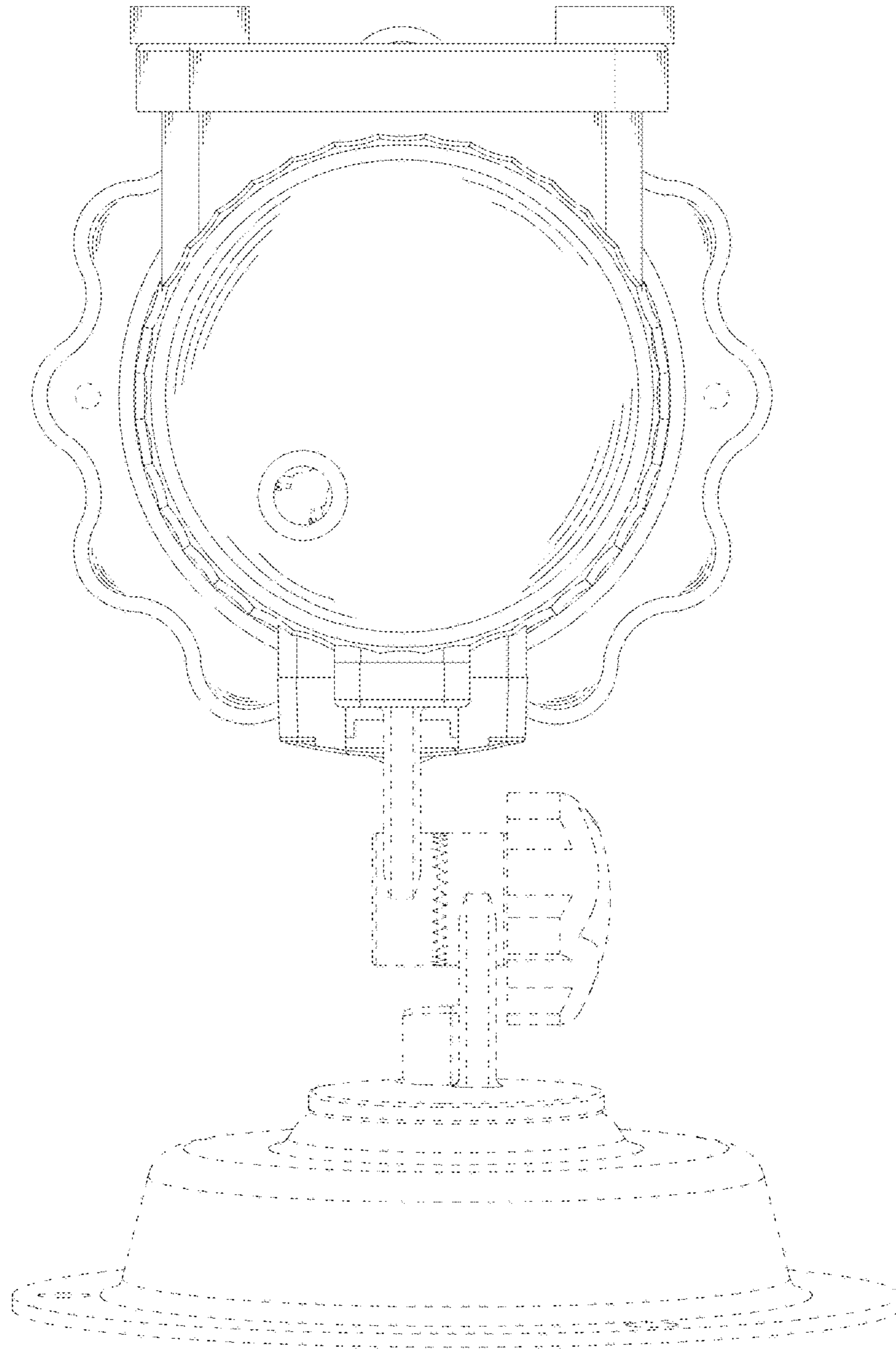


FIG. 2

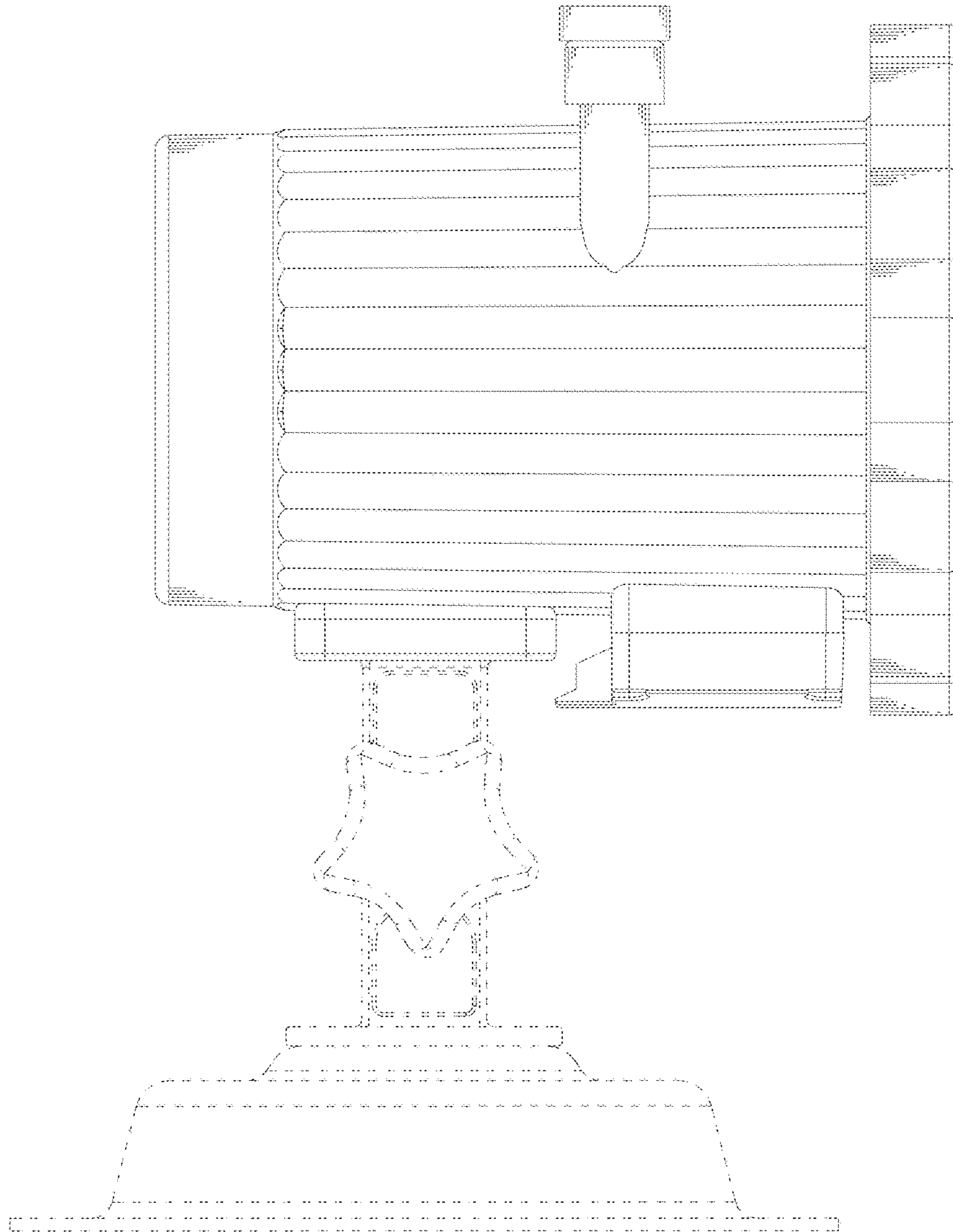


FIG. 3

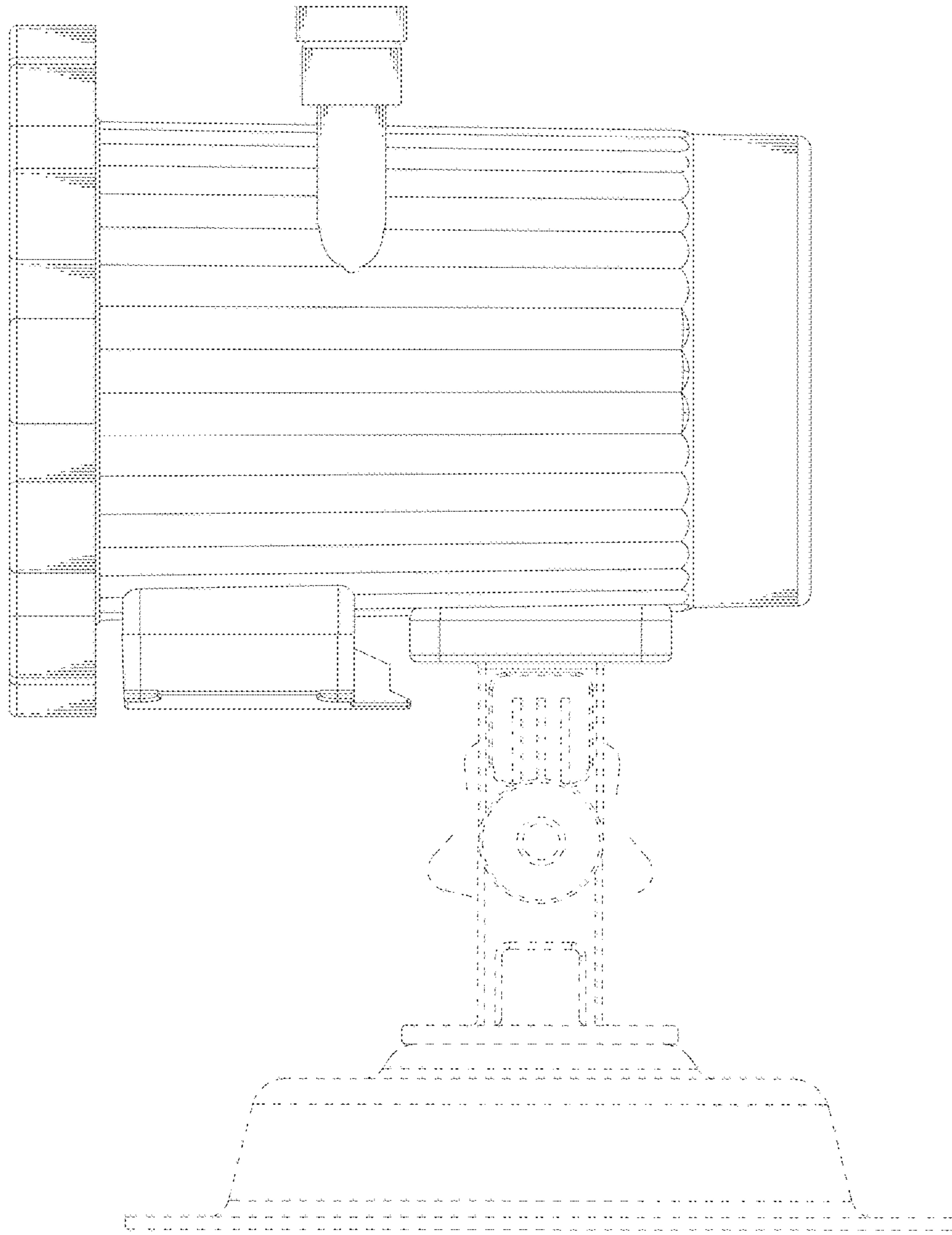


FIG. 4

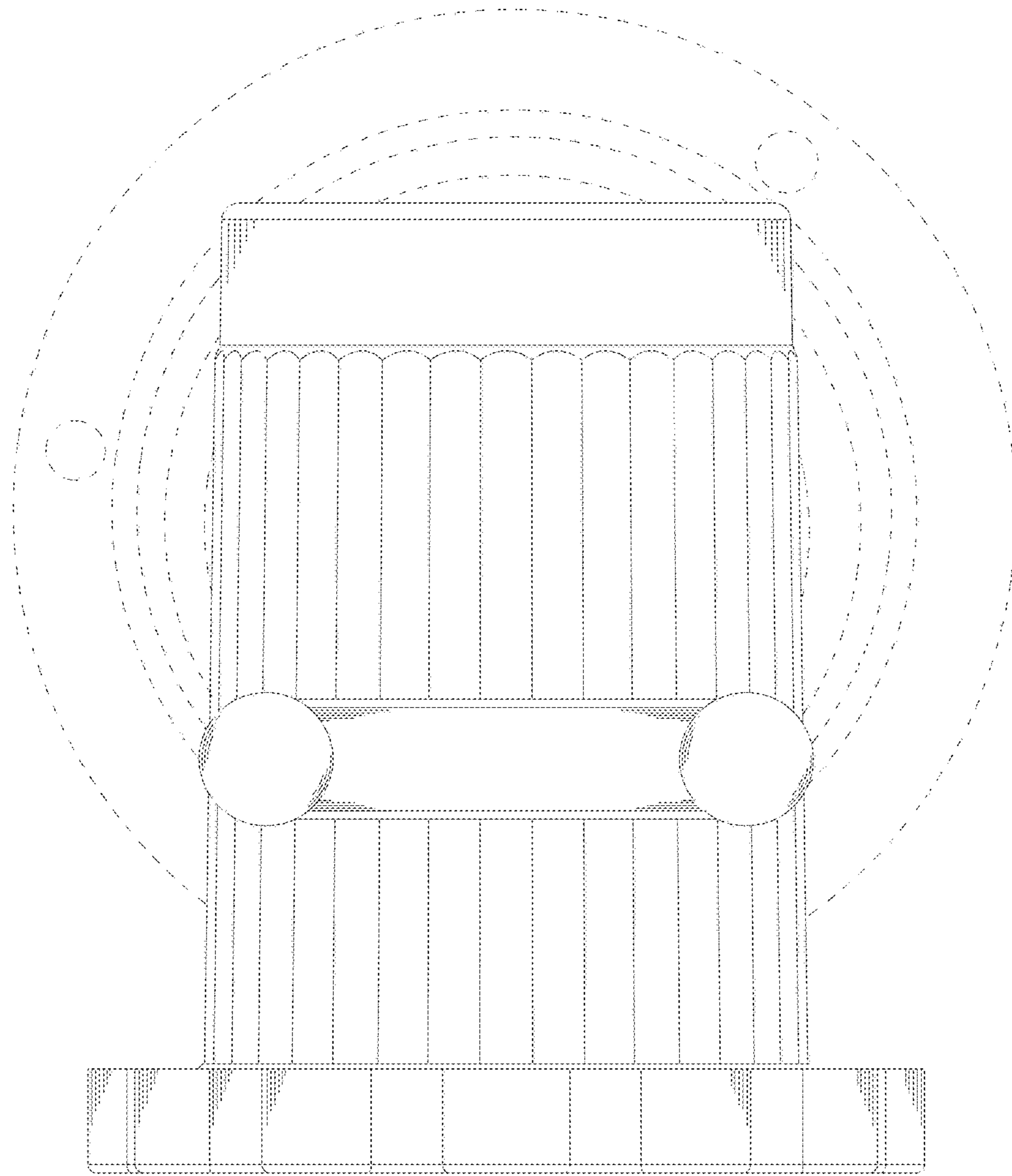


FIG. 5

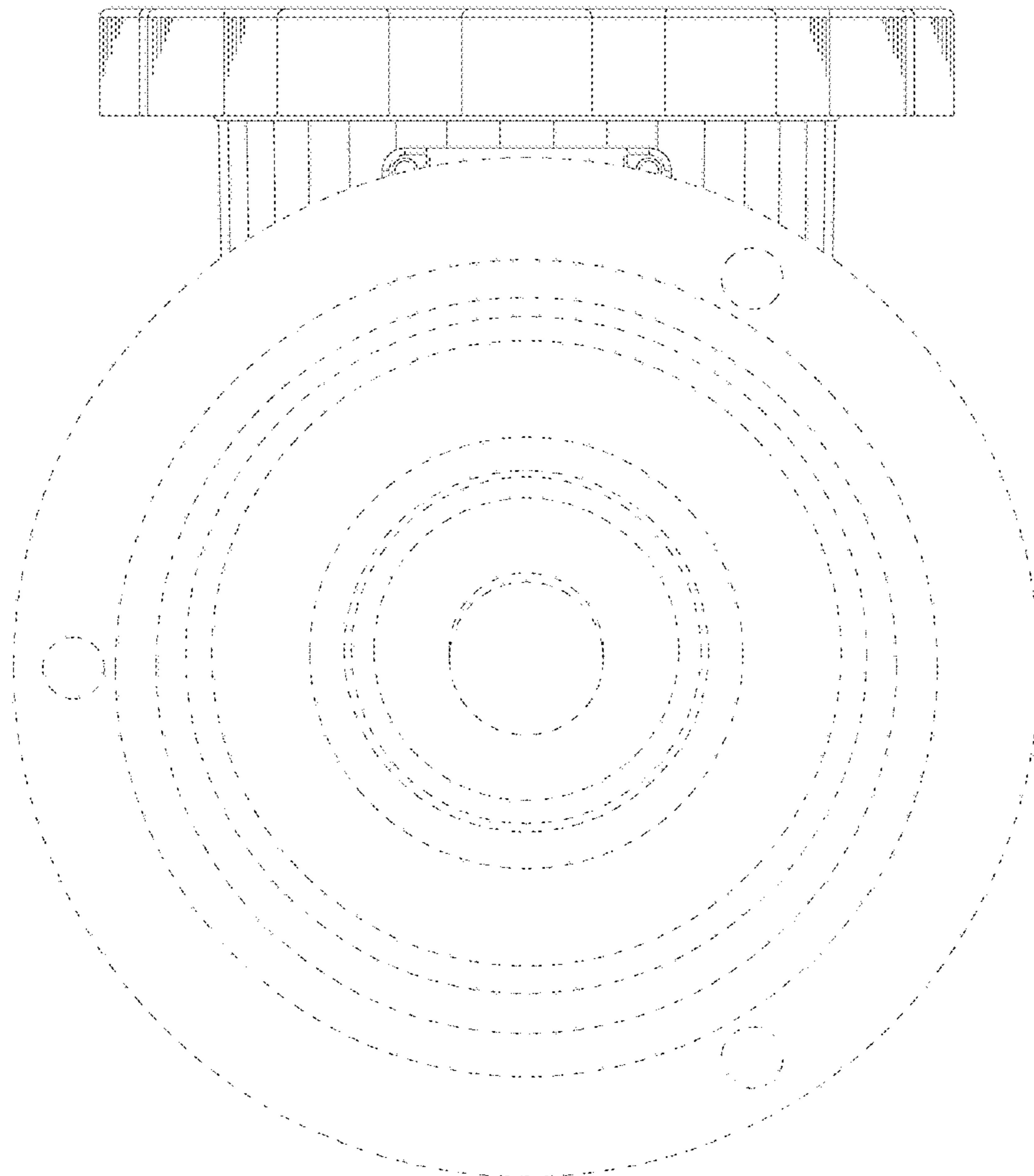


FIG. 6

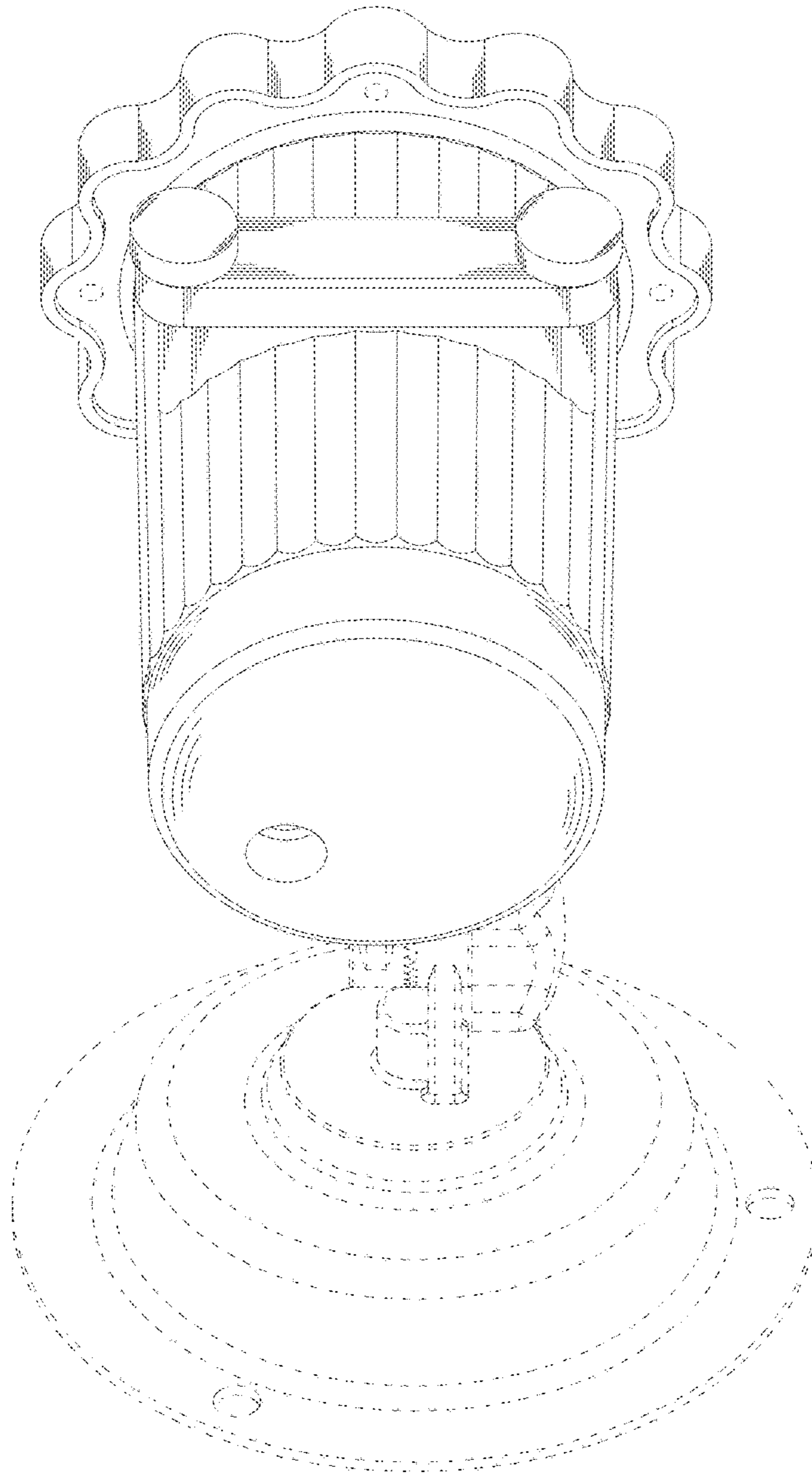


FIG. 7

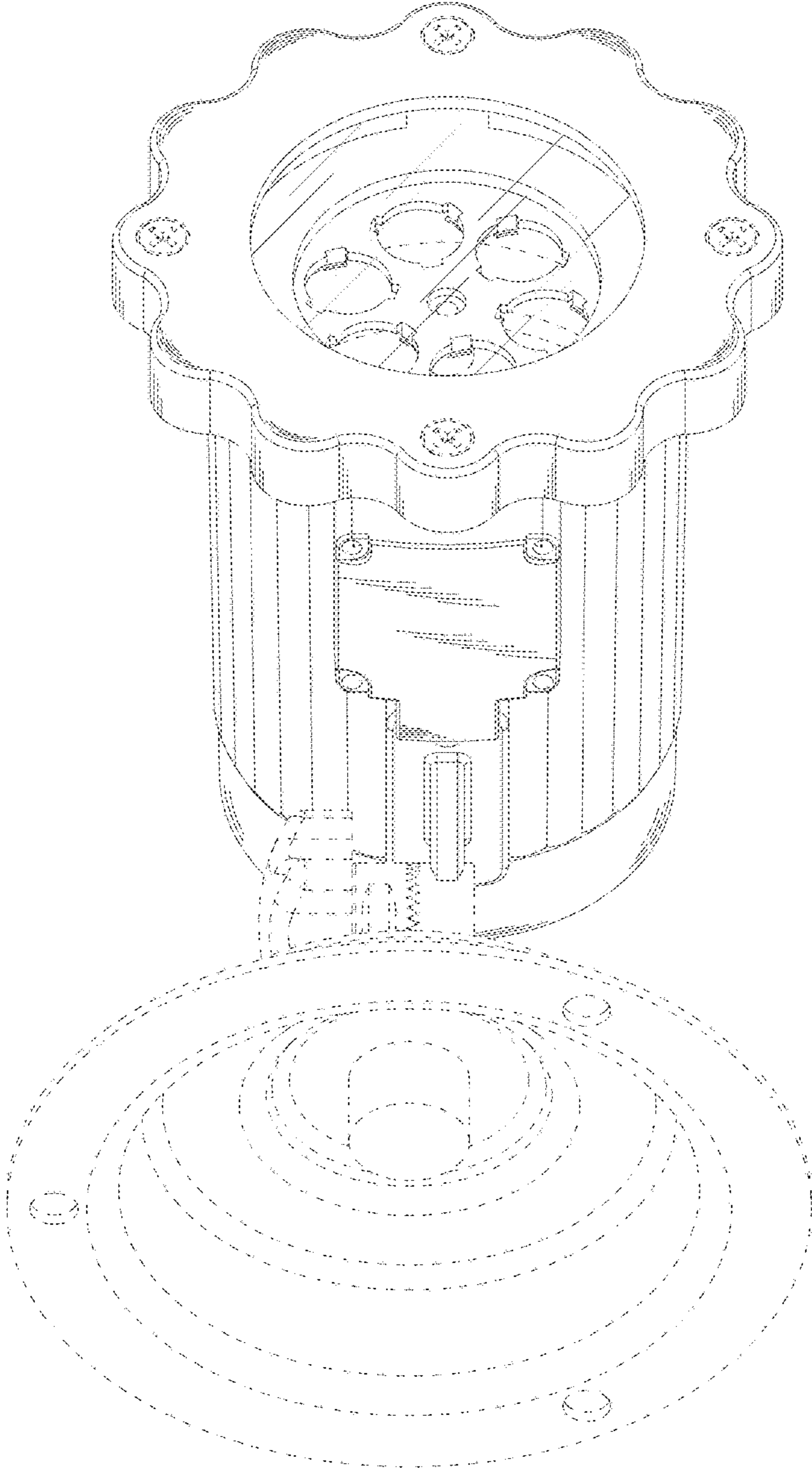


FIG. 8

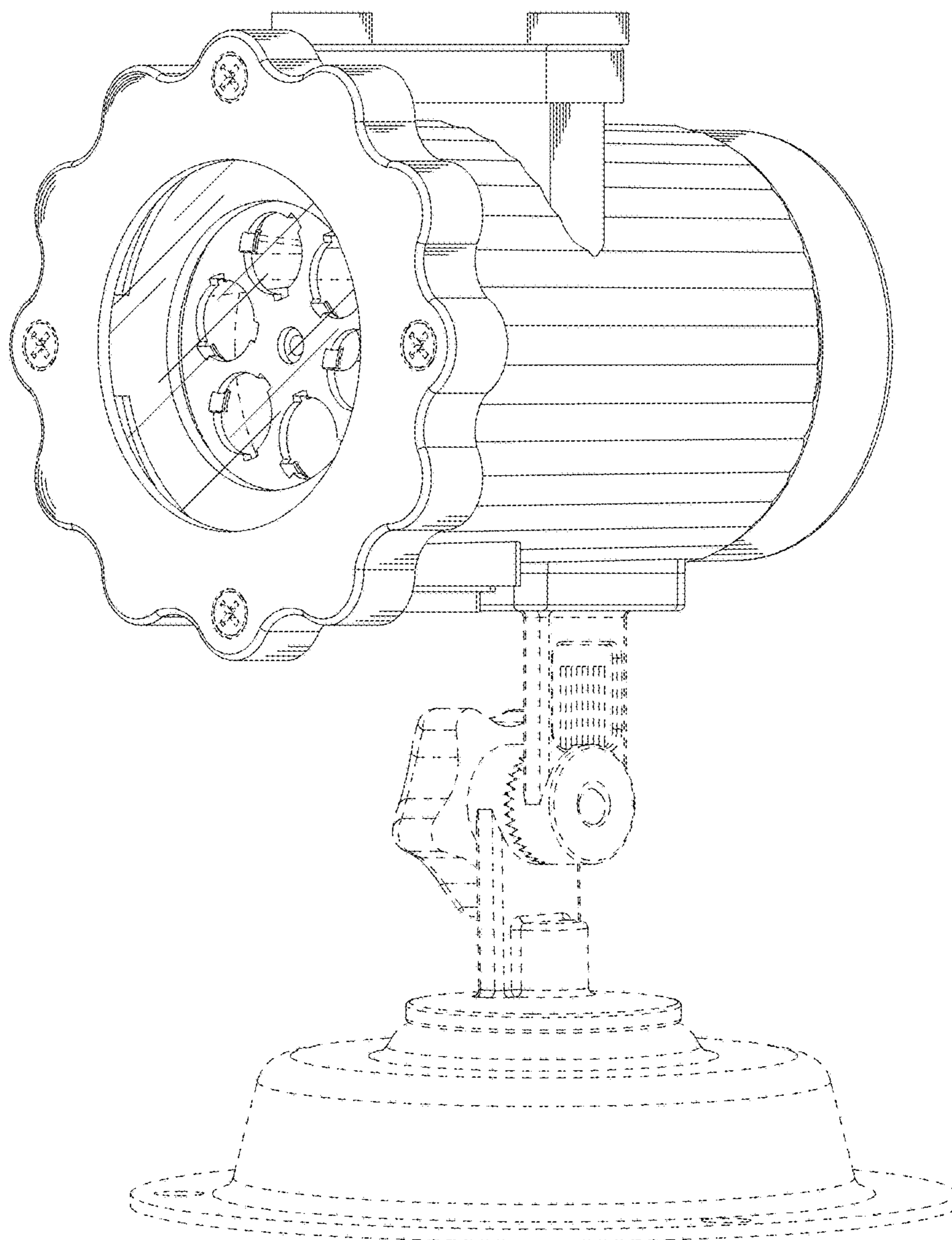


FIG. 9