



US00D854211S

(12) **United States Design Patent**  
**Li**

(10) **Patent No.:** **US D854,211 S**

(45) **Date of Patent:** **\*\* Jul. 16, 2019**

(54) **FLOODLIGHT**

(71) Applicant: **Fanhao Li**, Shenzhen (CN)

(72) Inventor: **Fanhao Li**, Shenzhen (CN)

(\*\*) Term: **15 Years**

(21) Appl. No.: **29/606,006**

(22) Filed: **Jun. 1, 2017**

(51) **LOC (11) Cl.** ..... **26-03**

(52) **U.S. Cl.**  
USPC ..... **D26/63**

(58) **Field of Classification Search**  
USPC ..... D26/1, 24, 61, 63, 65, 85, 92  
CPC ..... F21V 21/14; F21V 15/01; F21V 14/02;  
F21V 21/30; F21V 21/00; F21V 14/00;  
F21S 8/00; F21S 8/003; F21S 8/043;  
F21Y 2105/001

See application file for complete search history.

(56) **References Cited**

**U.S. PATENT DOCUMENTS**

D624,682 S \* 9/2010 Ying ..... D26/63  
D702,387 S \* 4/2014 Pedersen ..... D26/63

D761,472 S \* 7/2016 Zhu ..... D26/63  
D797,339 S \* 9/2017 Wang ..... D26/63  
D799,094 S \* 10/2017 Li ..... D26/63  
D803,449 S \* 11/2017 Xu ..... D26/63  
D812,796 S \* 3/2018 Ruberg ..... D26/63

\* cited by examiner

*Primary Examiner* — Brian N. Vinson

(74) *Attorney, Agent, or Firm* — Gokalp Bayramoglu

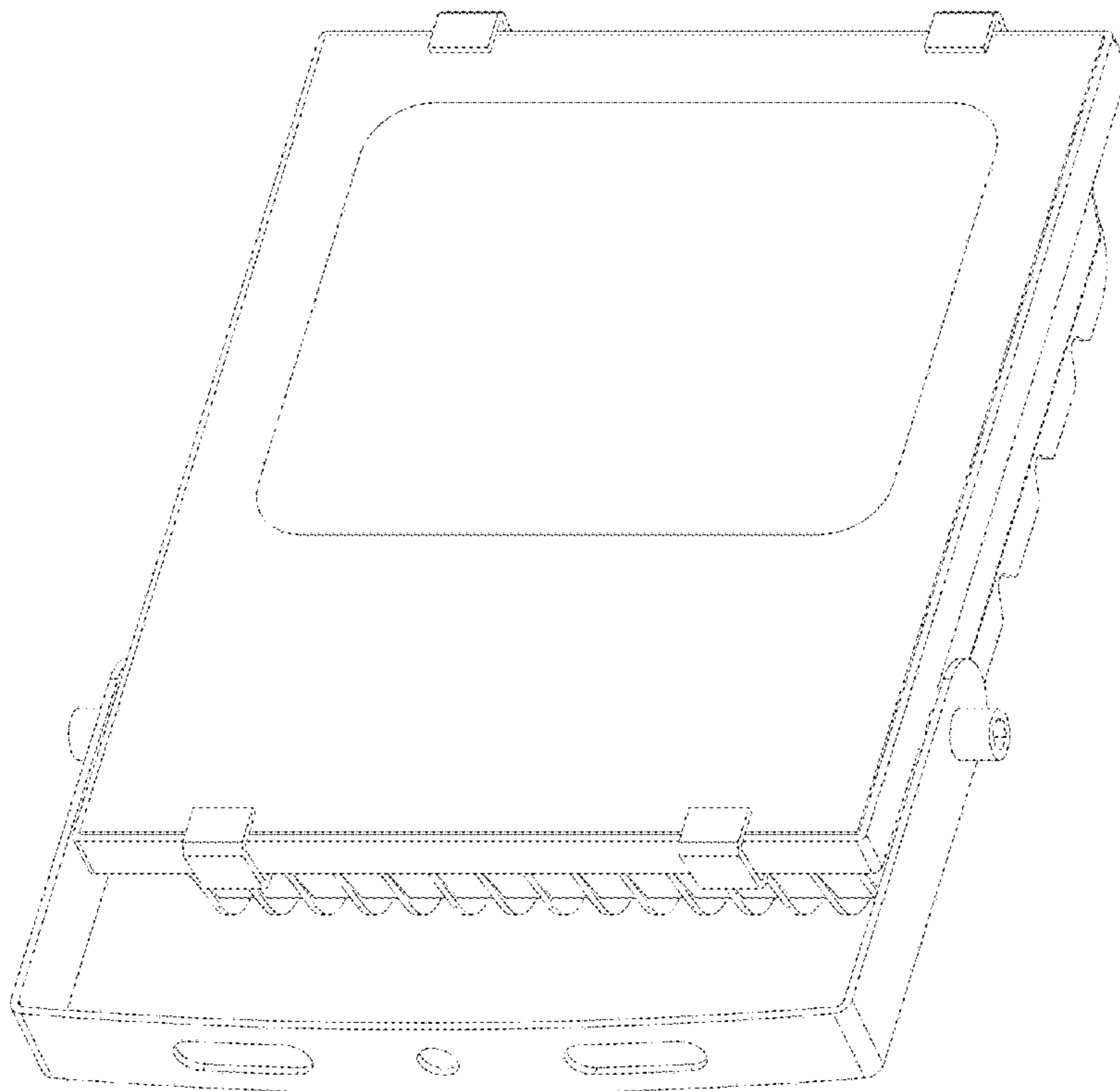
(57) **CLAIM**

The ornamental design for a floodlight, as shown and described.

**DESCRIPTION**

FIG. 1 is a front view of the floodlight;  
FIG. 2 is a back view of the floodlight;  
FIG. 3 is a left side view of the floodlight;  
FIG. 4 is a right side view of the floodlight;  
FIG. 5 is a top view of the floodlight;  
FIG. 6 is a bottom view of the floodlight; and,  
FIG. 7 is a perspective view of the floodlight.

**1 Claim, 7 Drawing Sheets**



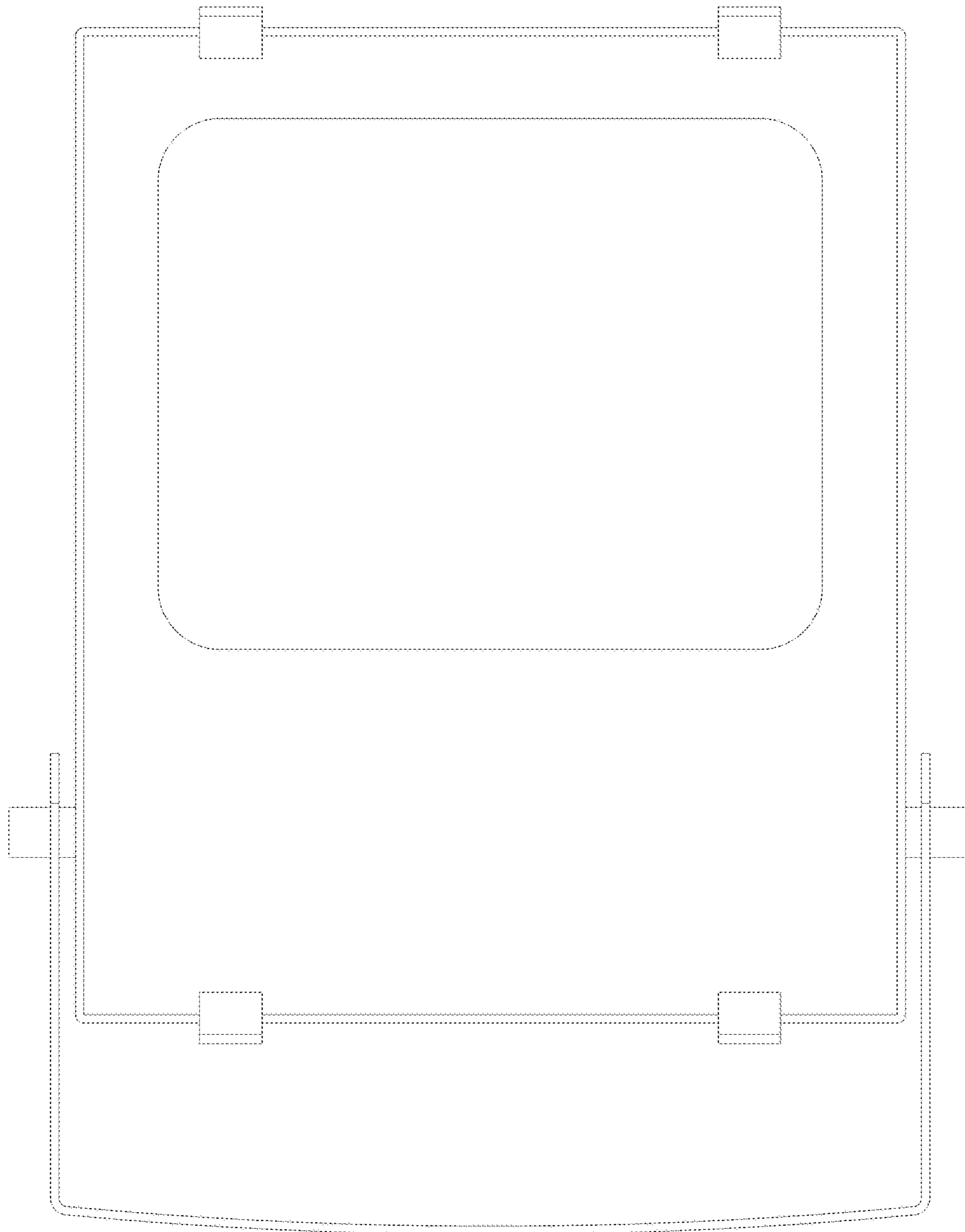


Figure 1

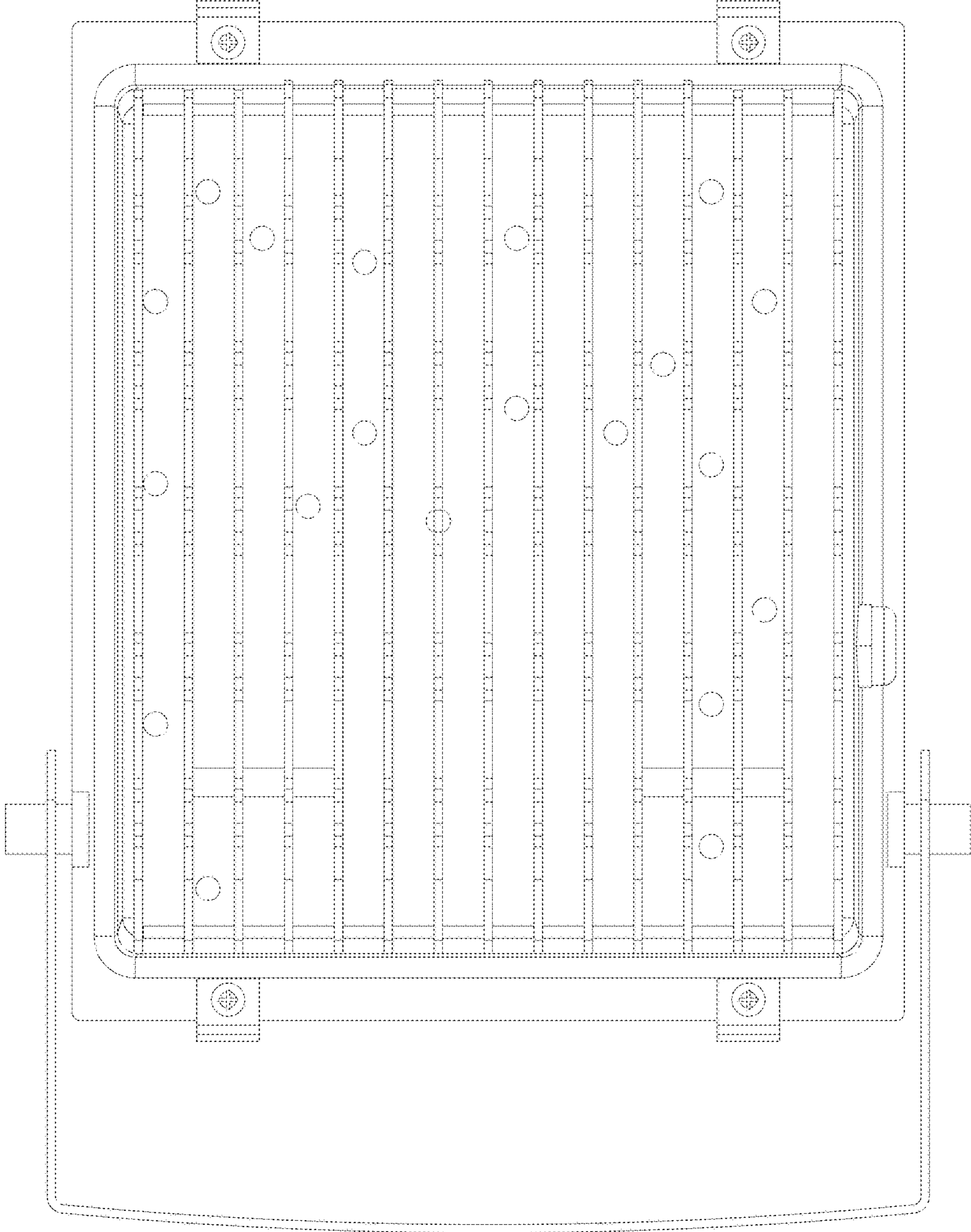


Figure 2

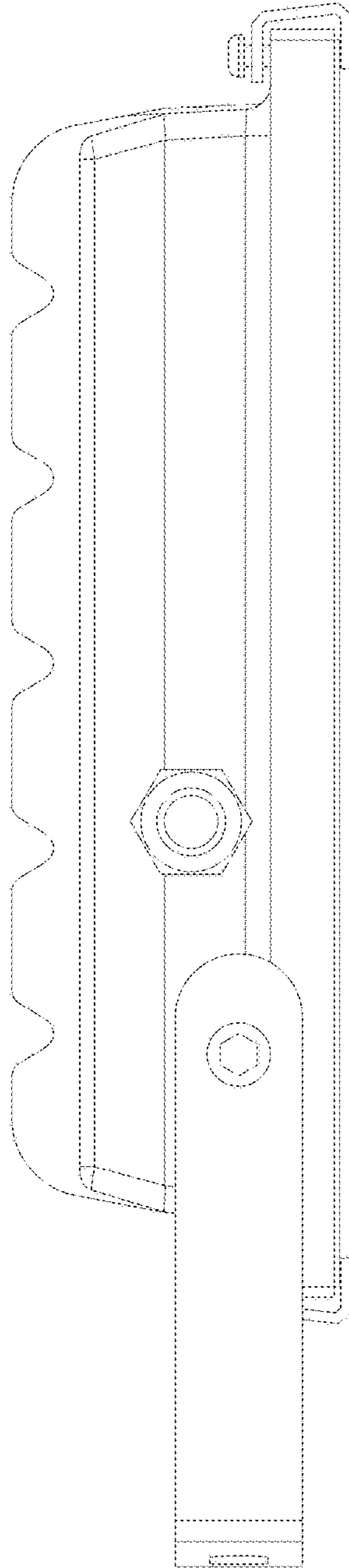


Figure 3

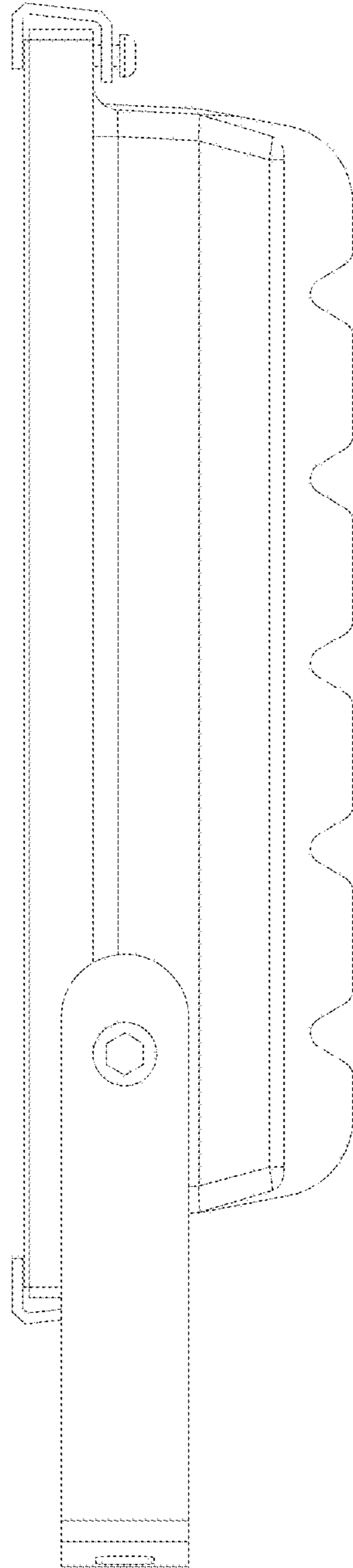


Figure 4

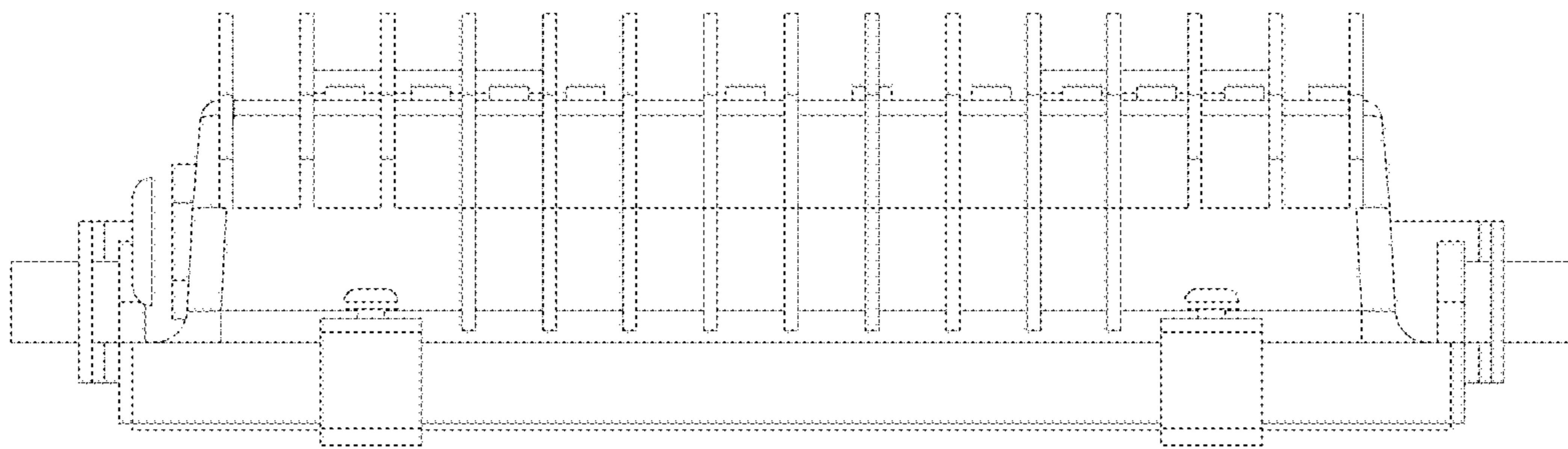


Figure 5

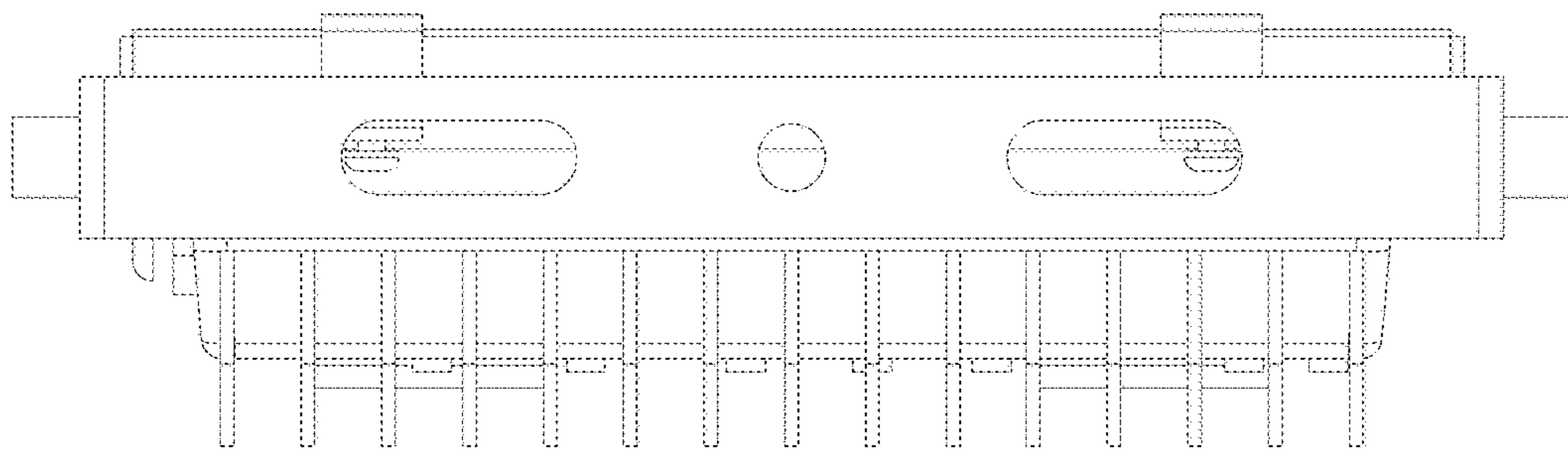


Figure 6

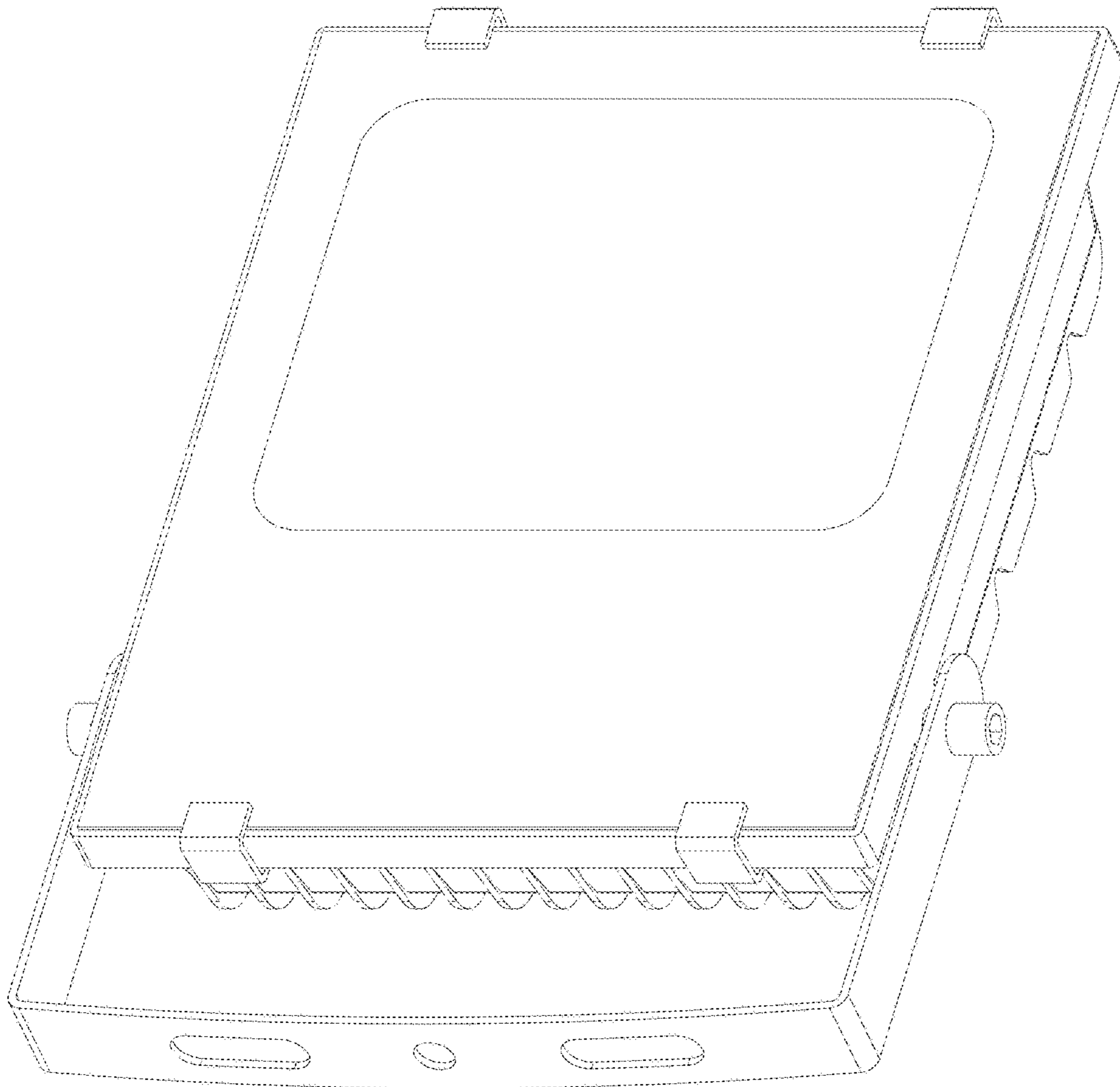


Figure 7