

US00D854207S

(12) **United States Design Patent**
Zheng

(10) **Patent No.:** **US D854,207 S**

(45) **Date of Patent:** **** Jul. 16, 2019**

(54) **POCKET LED LIGHT**

(71) Applicant: **Tiger Auto Accessories Co., Ltd,**
Hangzhou, Zhejiang (CN)

(72) Inventor: **Shenjie Zheng,** Zhejiang (CN)

(73) Assignee: **Tiger Auto Accessories Co., Ltd,**
Hangzhou (CN)

(**) Term: **15 Years**

(21) Appl. No.: **29/623,824**

(22) Filed: **Oct. 27, 2017**

(30) **Foreign Application Priority Data**

Jul. 14, 2017 (CN) 2017 3 0309934

(51) **LOC (11) Cl.** **26-02**

(52) **U.S. Cl.**
USPC **D26/44; D26/42**

(58) **Field of Classification Search**

USPC D26/37-51
CPC F21L 2003/00; F21L 4/00; F21L 4/005;
F21L 4/02; F21L 4/025; F21L 4/027;
F21L 4/04; F21L 4/08; F21L 2005/00;
F21L 7/00; F21L 11/00; F21L 13/00;
F21L 13/04; F21L 13/08; F21L 14/02;
F21L 17/00; F21L 19/00; F21L 25/00

See application file for complete search history.

(56) **References Cited**

U.S. PATENT DOCUMENTS

D750,303 S * 2/2016 Levy D26/37
D757,972 S * 5/2016 Caito D26/42
D757,973 S * 5/2016 Zhang D26/44

D760,927 S * 7/2016 Bao D26/24
D765,898 S * 9/2016 Caito D26/42
D767,183 S * 9/2016 Caito D26/42
D778,475 S * 2/2017 Bao D26/65
D778,476 S * 2/2017 Bao D26/65
D791,379 S * 7/2017 Koshiba D26/37
D794,234 S * 8/2017 Levy D26/37
D794,236 S * 8/2017 Kovacik D26/42
D806,923 S * 1/2018 Koshiba D26/42
D808,555 S * 1/2018 Inskeep D26/41
D809,169 S * 1/2018 Grandadam D26/38
D810,335 S * 2/2018 Levy D26/37
D818,166 S * 5/2018 Bao D26/44

* cited by examiner

Primary Examiner — Lakiya G Rogers

Assistant Examiner — Carissa C Fitts

(57) **CLAIM**

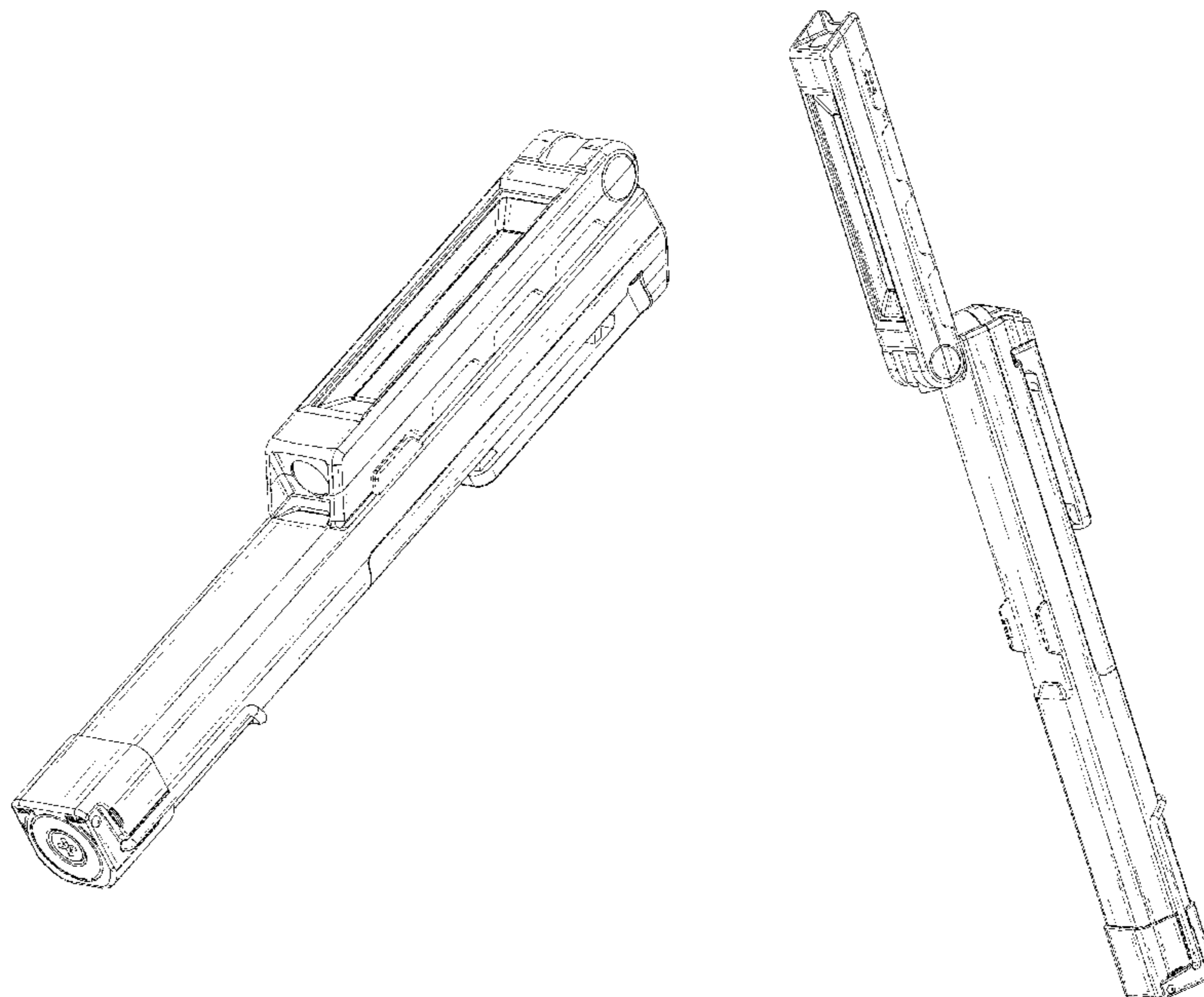
The ornamental design for a pocket LED light, as shown an described.

DESCRIPTION

FIG. 1 is a front elevational view of a pocket LED light showing my new design;
FIG. 2 is a rear elevational view thereof;
FIG. 3 is a left side view thereof;
FIG. 4 is a right side view thereof;
FIG. 5 is a top plan view thereof;
FIG. 6 is a bottom plan view thereof;
FIG. 7 is a first perspective view thereof;
FIG. 8 is a second perspective view thereof; and,
FIG. 9 is a third perspective view showing the pocket LED light in an open state.

The broken lines show portions of the article which form no part of the claimed design.

1 Claim, 9 Drawing Sheets



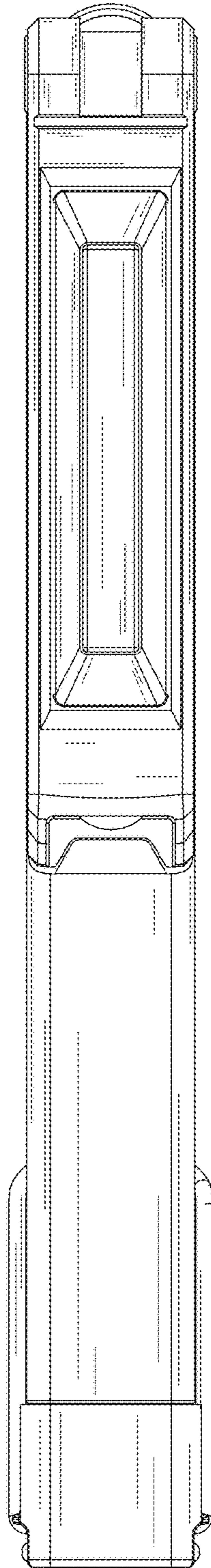


FIG. 1

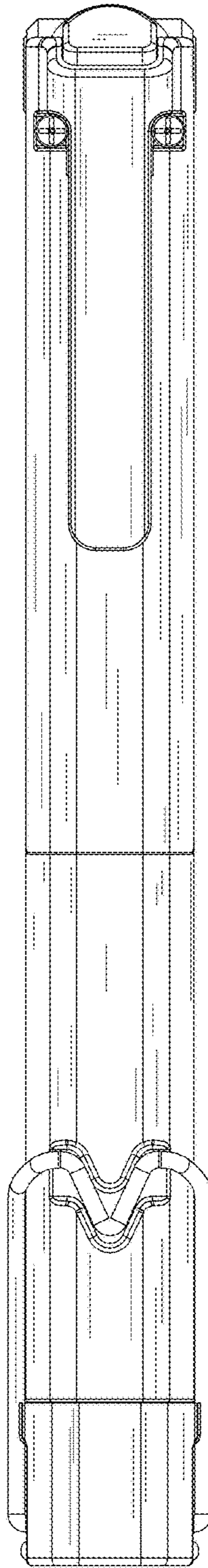


FIG. 2

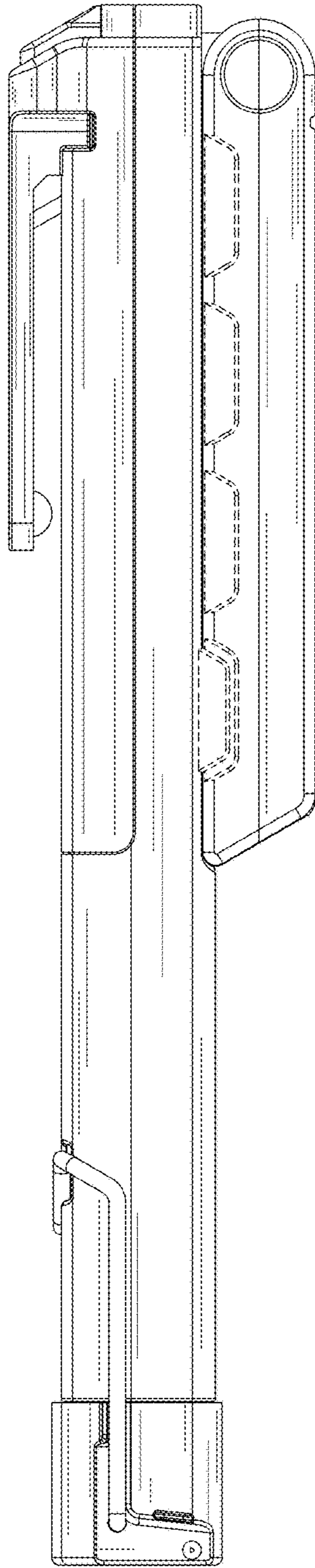


FIG. 3

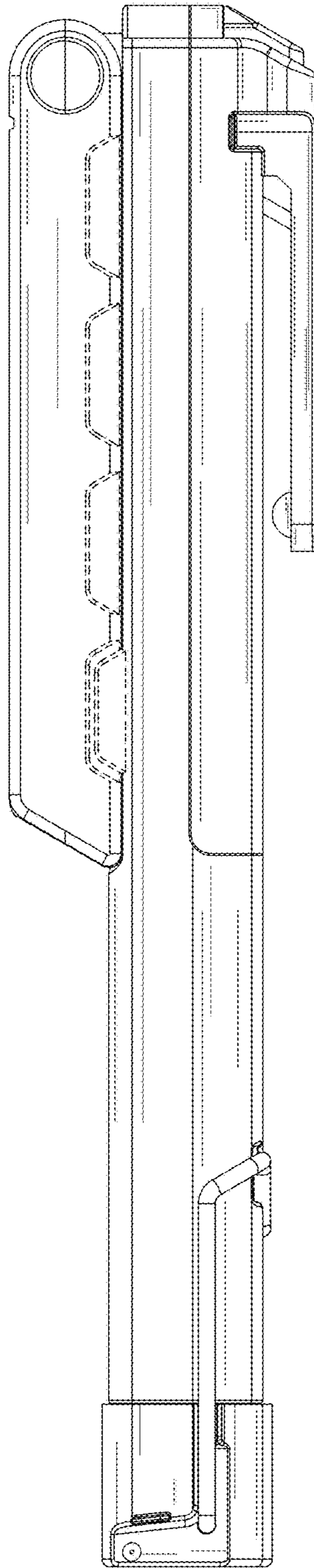


FIG. 4

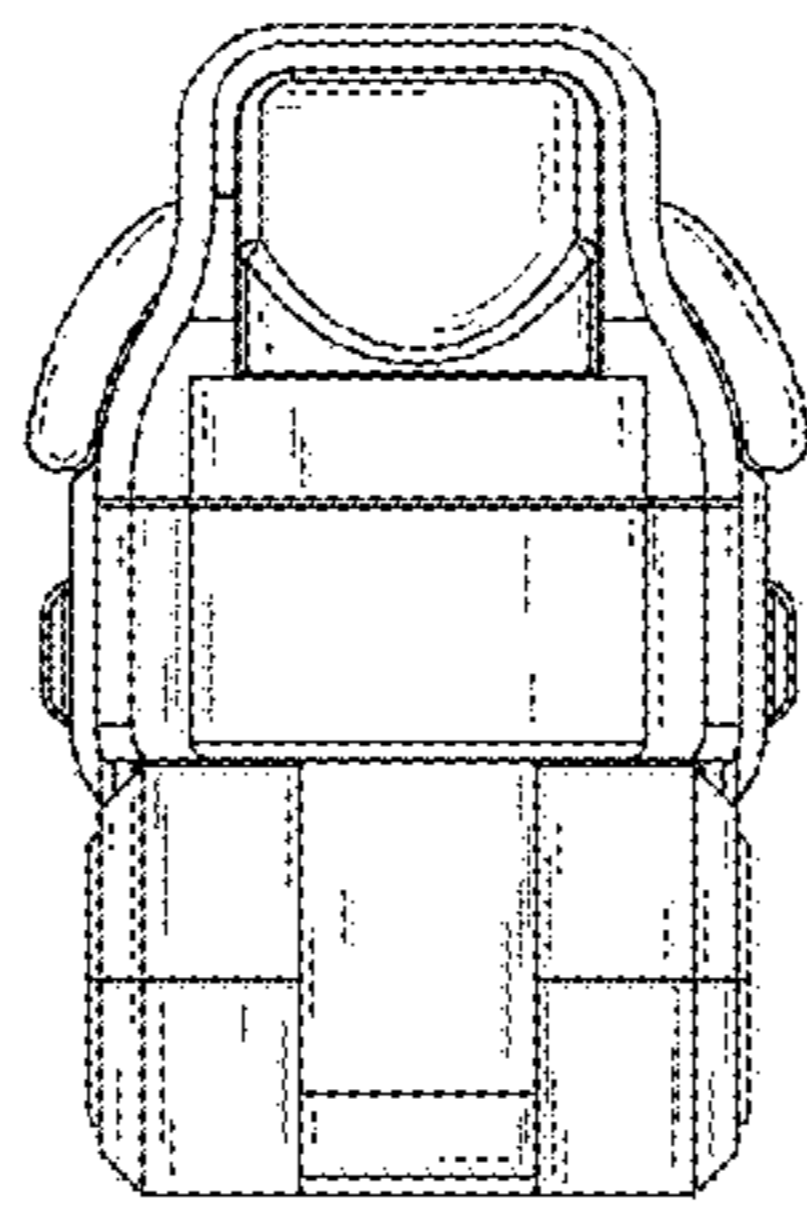


FIG. 5

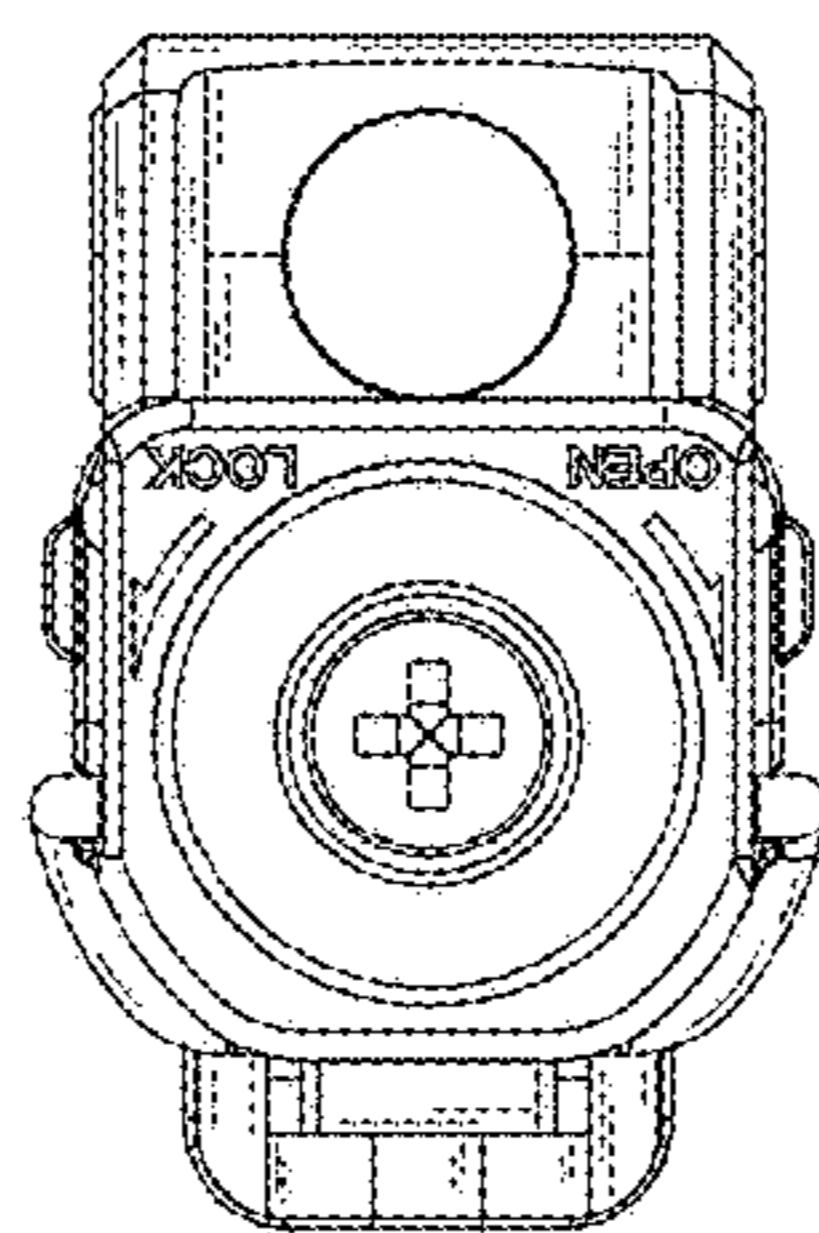


FIG. 6

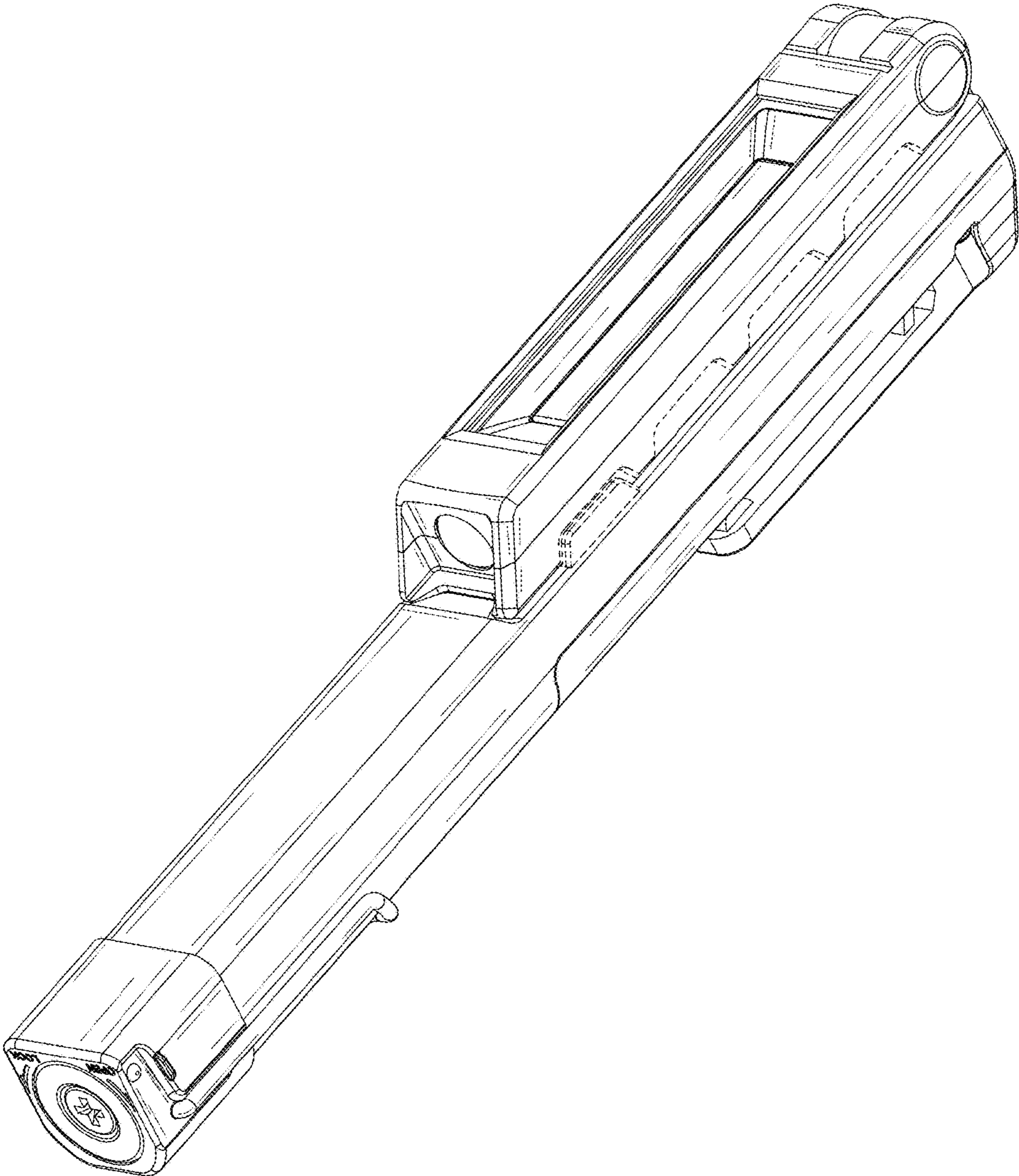


FIG. 7

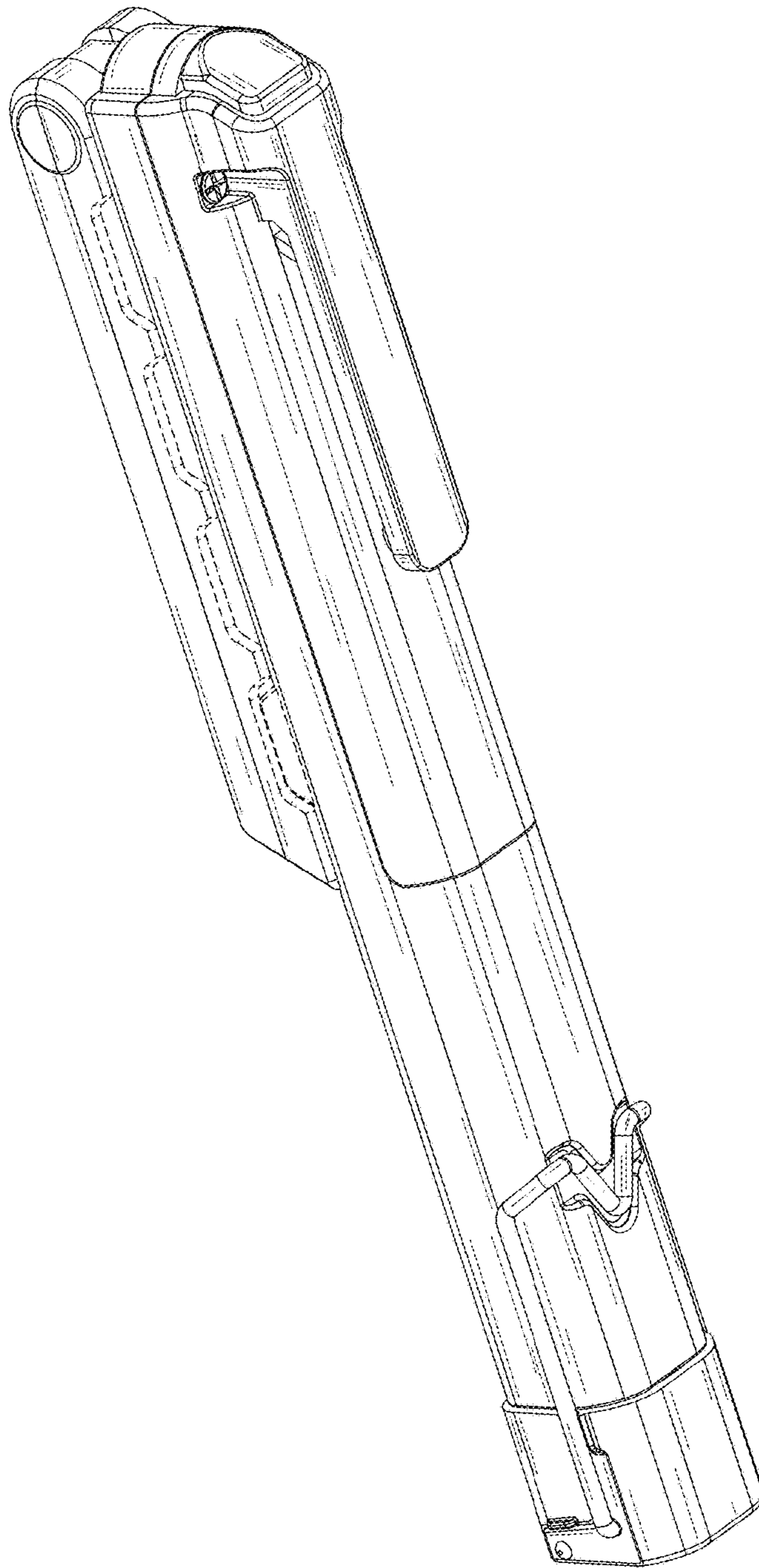


FIG. 8

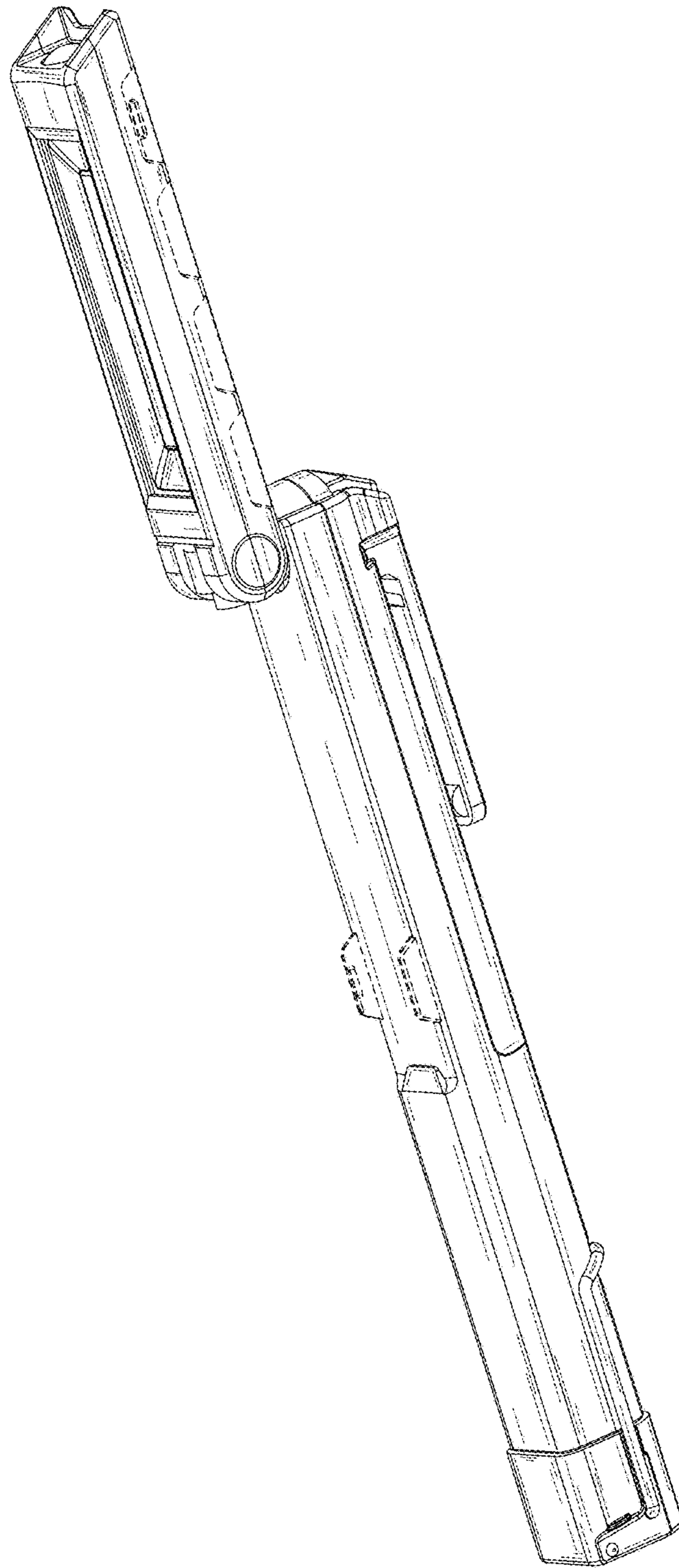


FIG. 9