



US00D854206S

(12) **United States Design Patent**
Yang

(10) **Patent No.:** **US D854,206 S**

(45) **Date of Patent:** **** Jul. 16, 2019**

- (54) **ROUND LED HEADLIGHT**
- (71) Applicant: **Wenpan Yang**, Shaoyang (CN)
- (72) Inventor: **Wenpan Yang**, Shaoyang (CN)
- (**) Term: **15 Years**
- (21) Appl. No.: **29/643,364**
- (22) Filed: **Apr. 7, 2018**
- (51) **LOC (11) Cl.** **26-07**
- (52) **U.S. Cl.**
USPC **D26/36**
- (58) **Field of Classification Search**
USPC D26/28, 29, 30, 31, 32, 33, 34, 35, 36;
362/459-468, 475-478, 485-487
CPC F21S 48/00; F21S 48/10; F21S 48/115;
F21S 48/225; F21S 48/1233; F21S
48/1266; F21S 48/1388; F21S 48/2268;
F21V 21/04
See application file for complete search history.

D780,350 S *	2/2017	Dennis	D26/28
D782,083 S *	3/2017	Huang	D26/28
D792,993 S *	7/2017	Ko	D26/28
D793,593 S *	8/2017	Chen	D26/28
D799,080 S *	10/2017	Dennis	D26/28
D814,674 S *	4/2018	DiCanzio	D26/28
D822,238 S *	7/2018	Deering	D26/28
D823,503 S *	7/2018	Cheng	D26/28
D827,883 S *	9/2018	Deyaf	D26/28

* cited by examiner

Primary Examiner — Angela J Lee

(74) *Attorney, Agent, or Firm* — Erson IP (Nelson IP)

(57) **CLAIM**

The ornamental design for a round LED headlight, shown and described.

DESCRIPTION

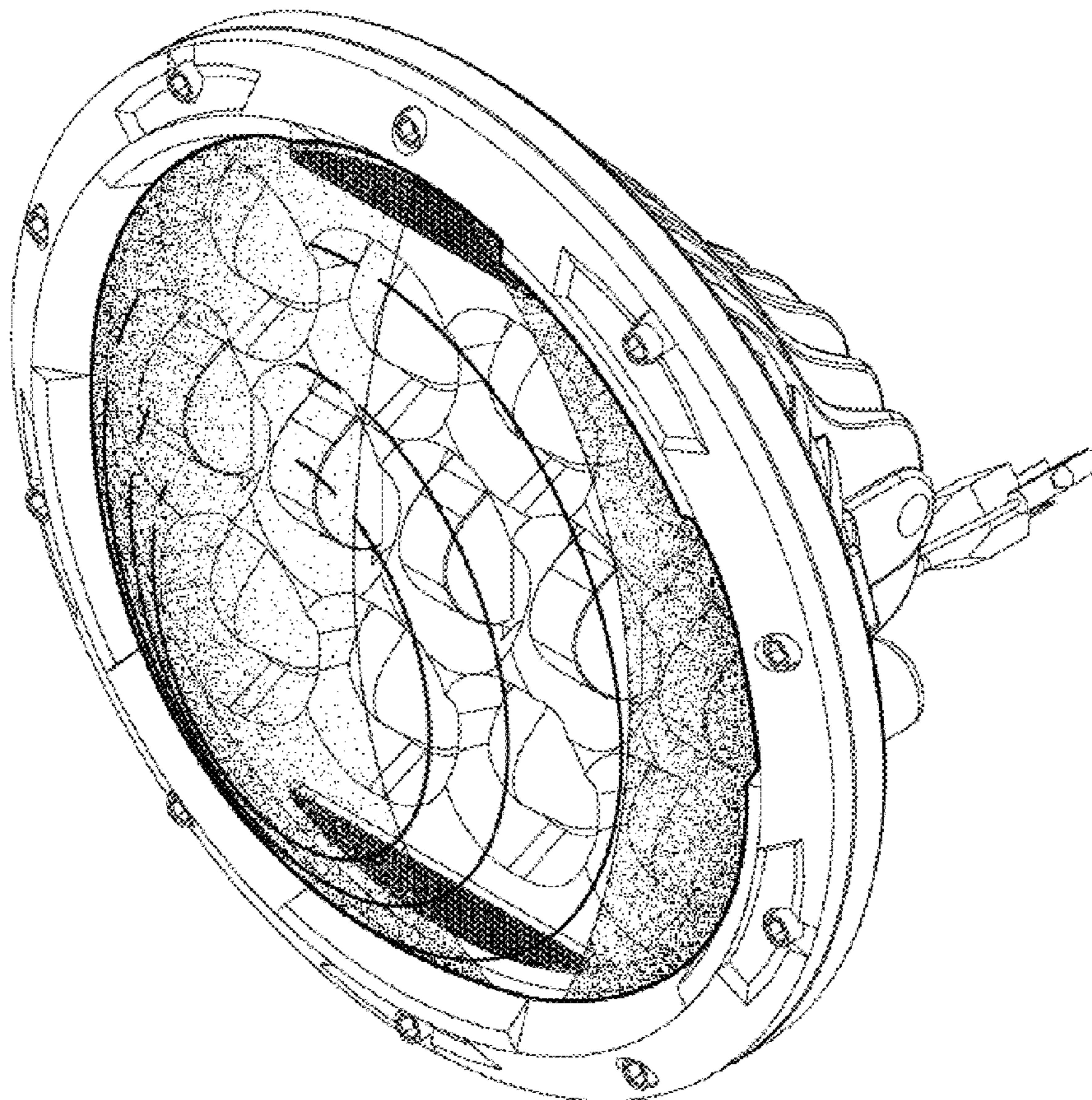
FIG. 1 is a perspective view showing my design;
 FIG. 2 is another perspective view showing my design;
 FIG. 3 is a front view showing my design;
 FIG. 4 is a back view showing my design;
 FIG. 5 is a left side view showing my design;
 FIG. 6 is a right side view showing my design;
 FIG. 7 is a top plan view showing my design; and,
 FIG. 8 is a bottom plan view showing my design.

1 Claim, 8 Drawing Sheets

(56) **References Cited**

U.S. PATENT DOCUMENTS

D737,482 S *	8/2015	Kuge	D26/28
D770,651 S *	11/2016	Ma	D26/28



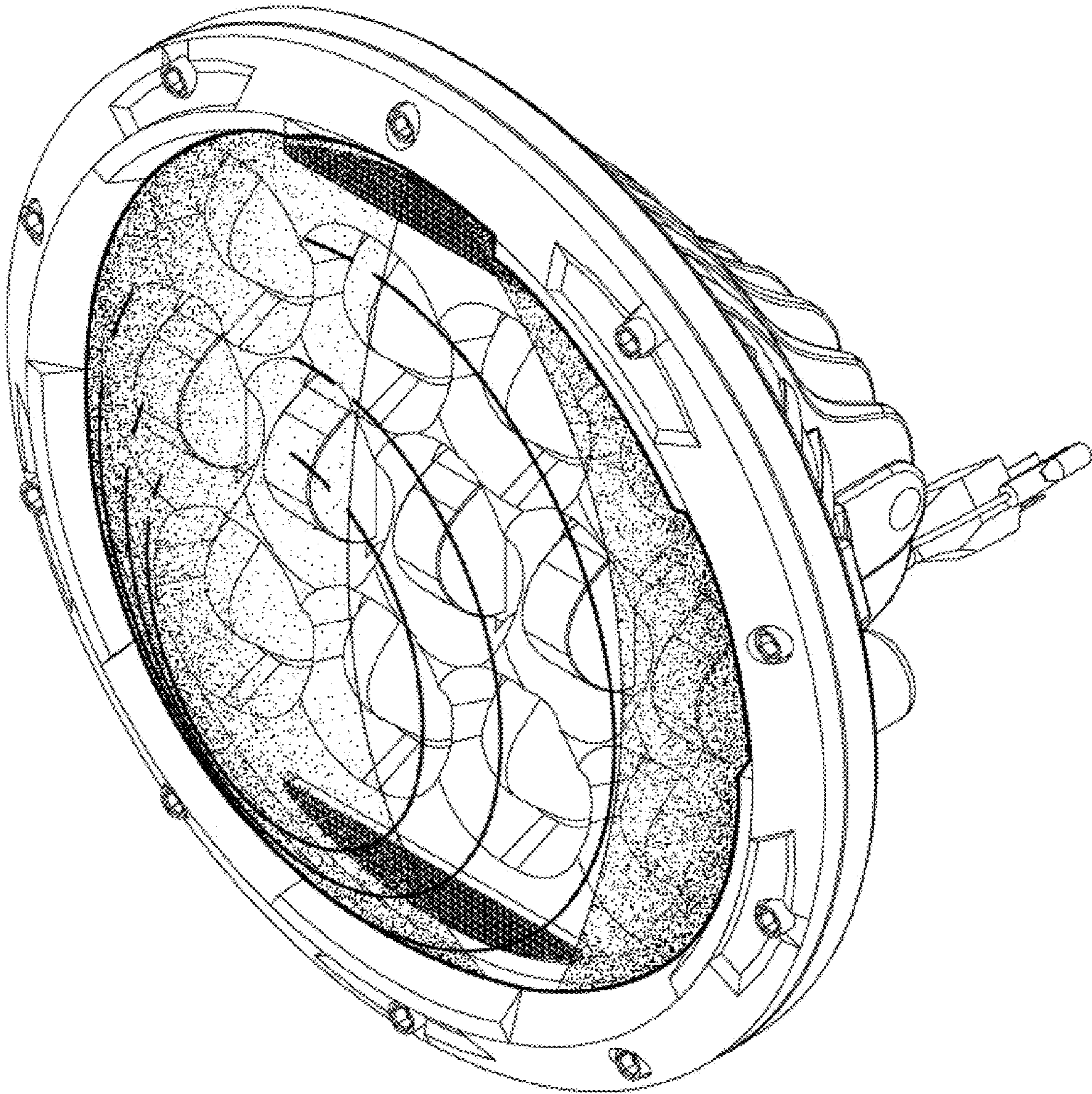


FIG. 1

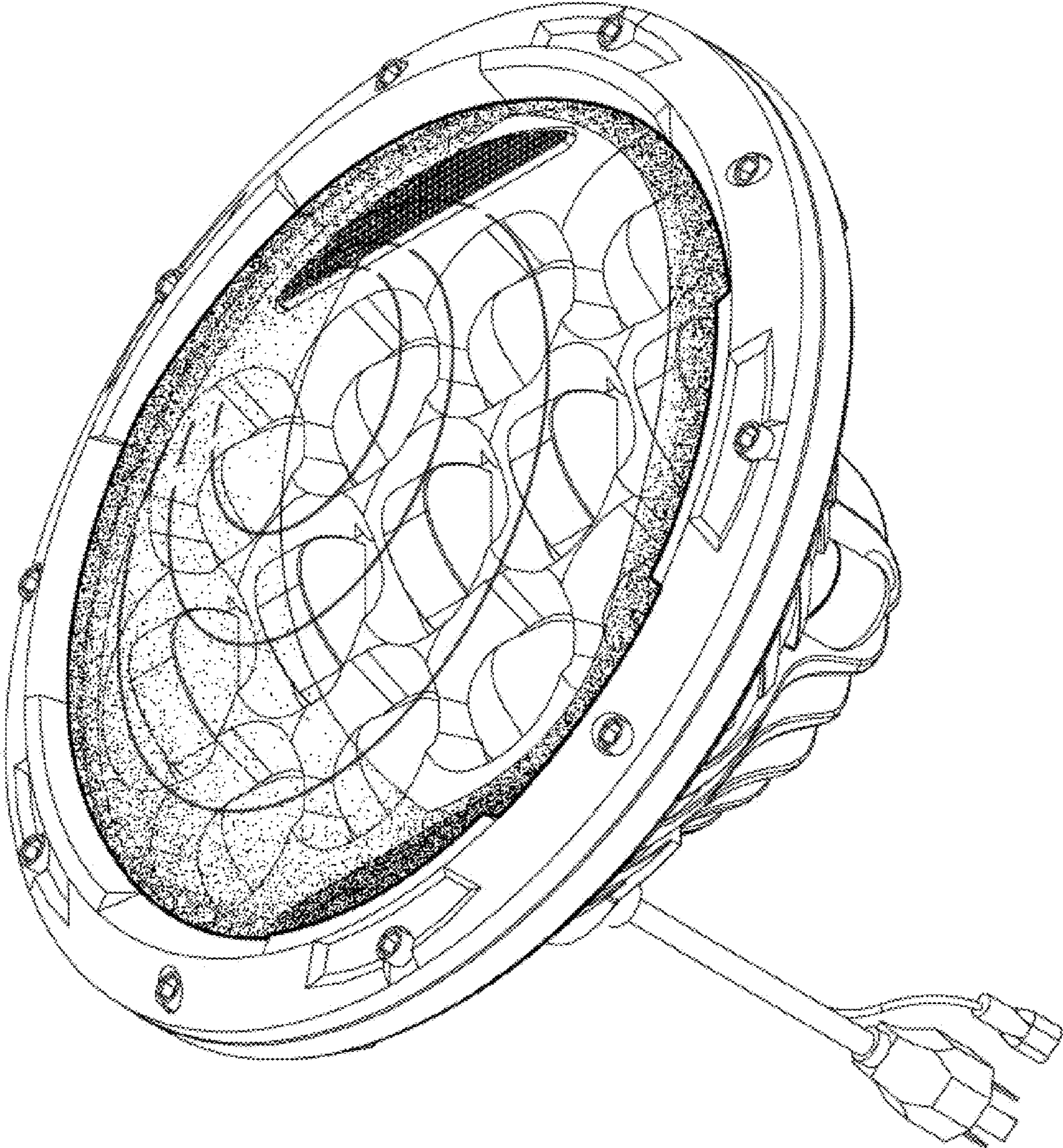


FIG.2

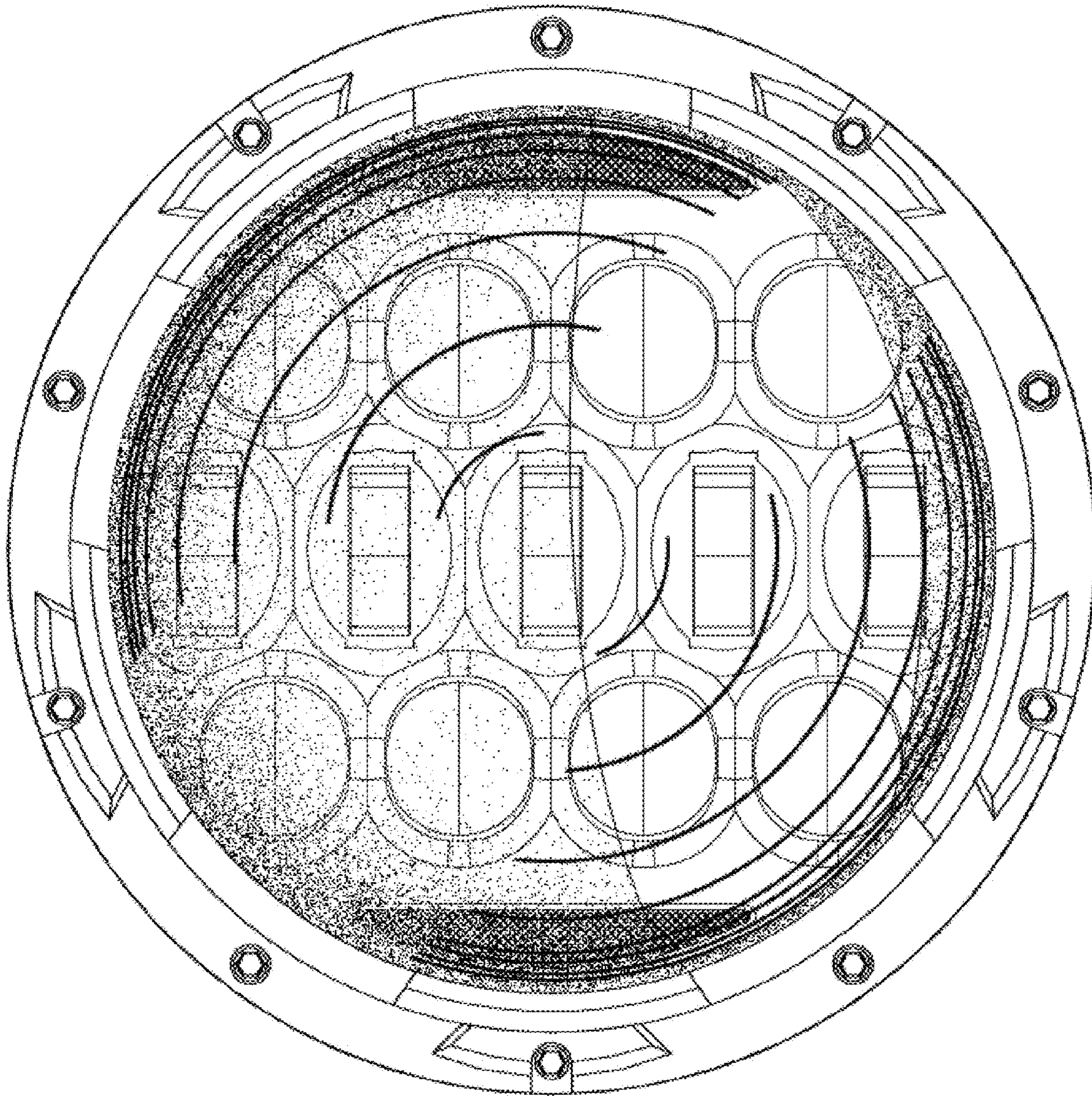


FIG.3

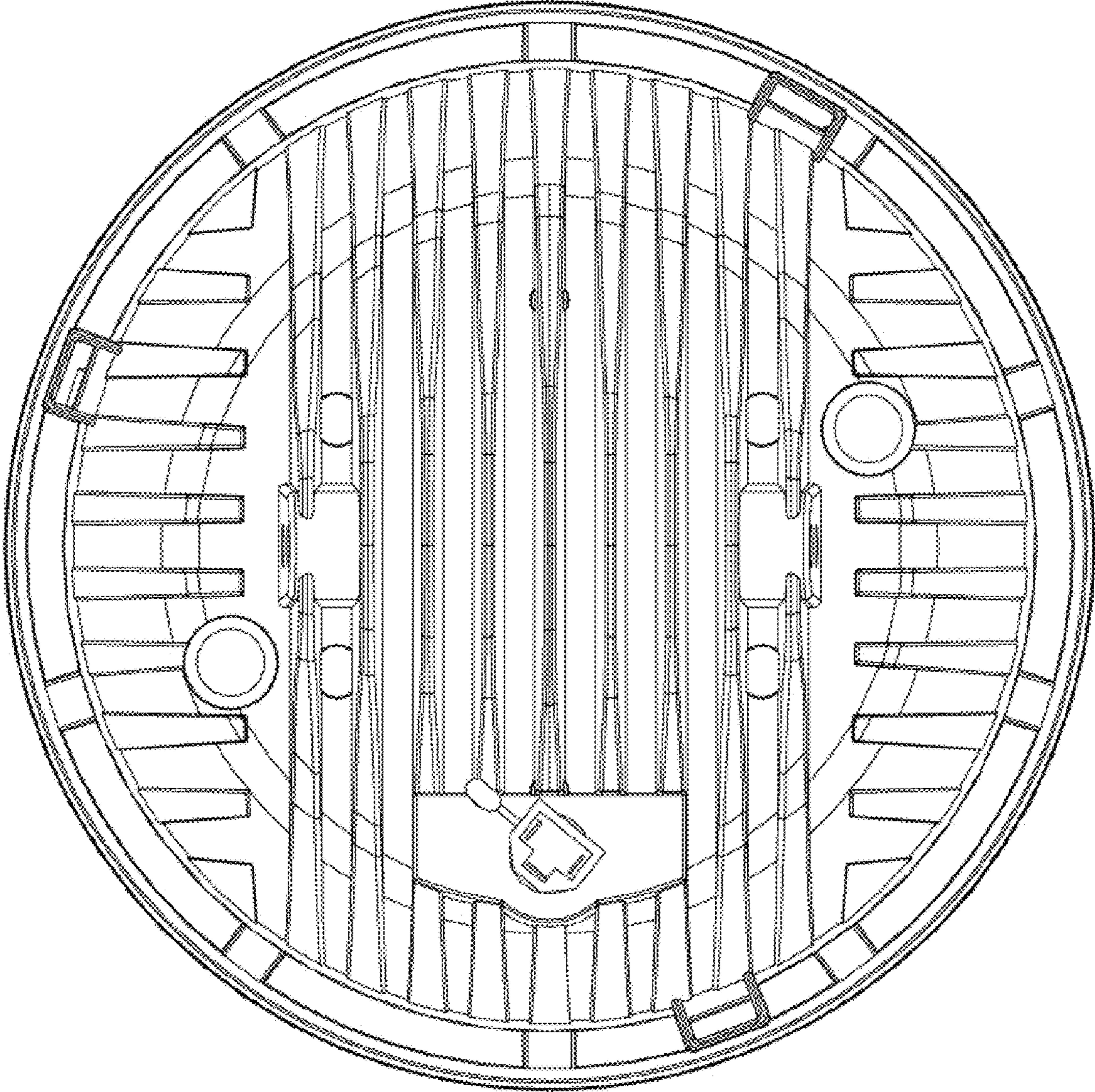


FIG.4

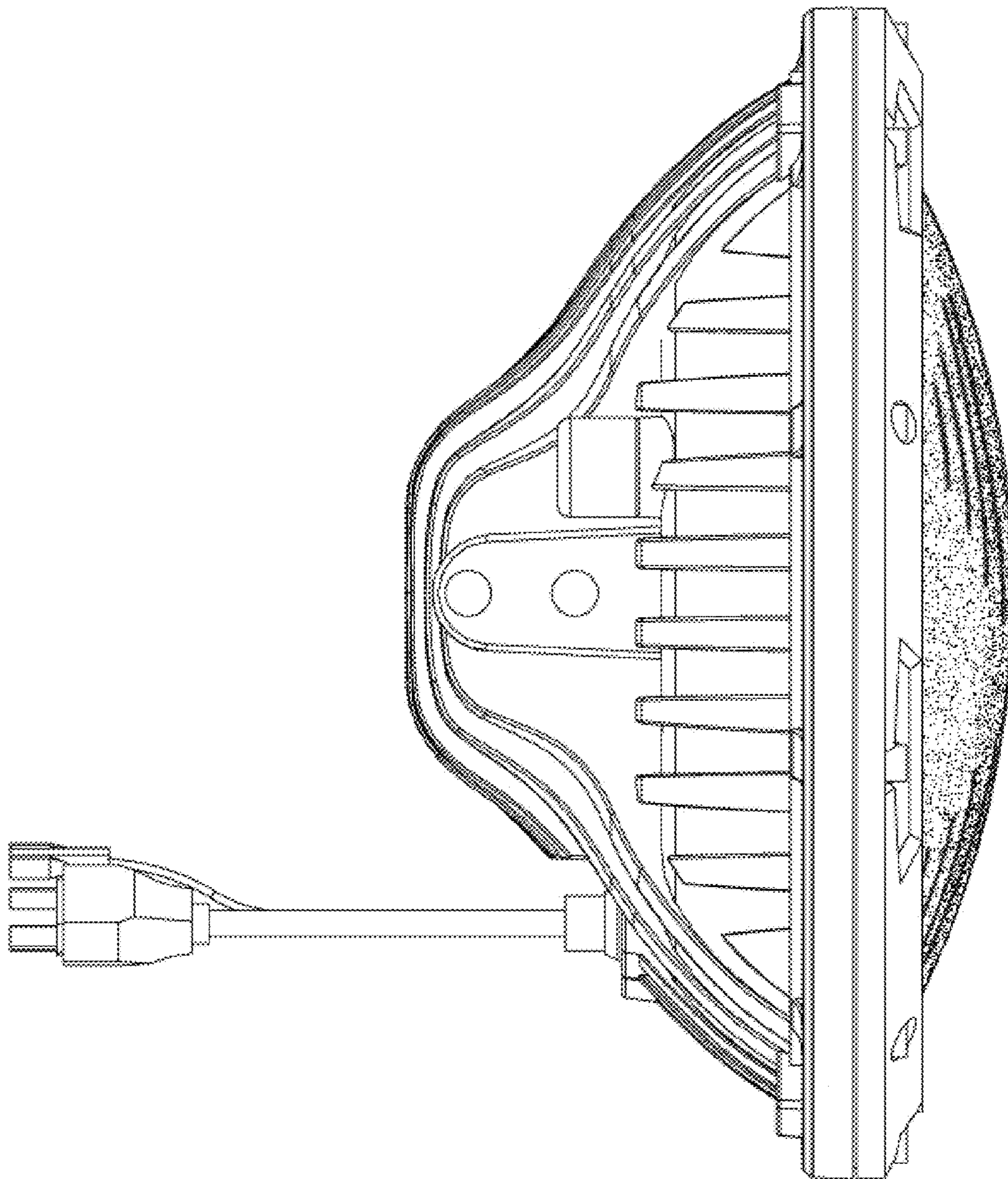


FIG.6

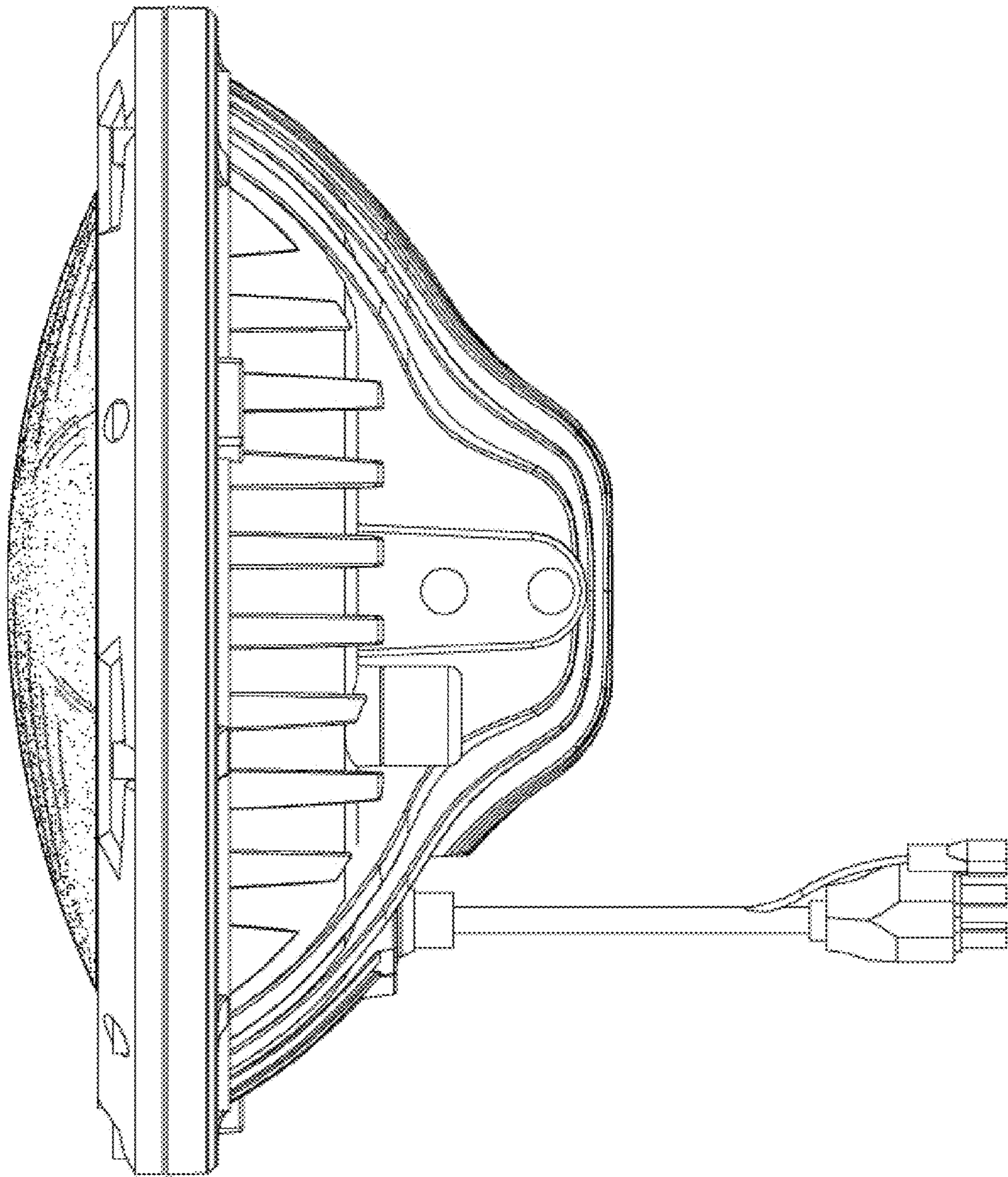


FIG.5

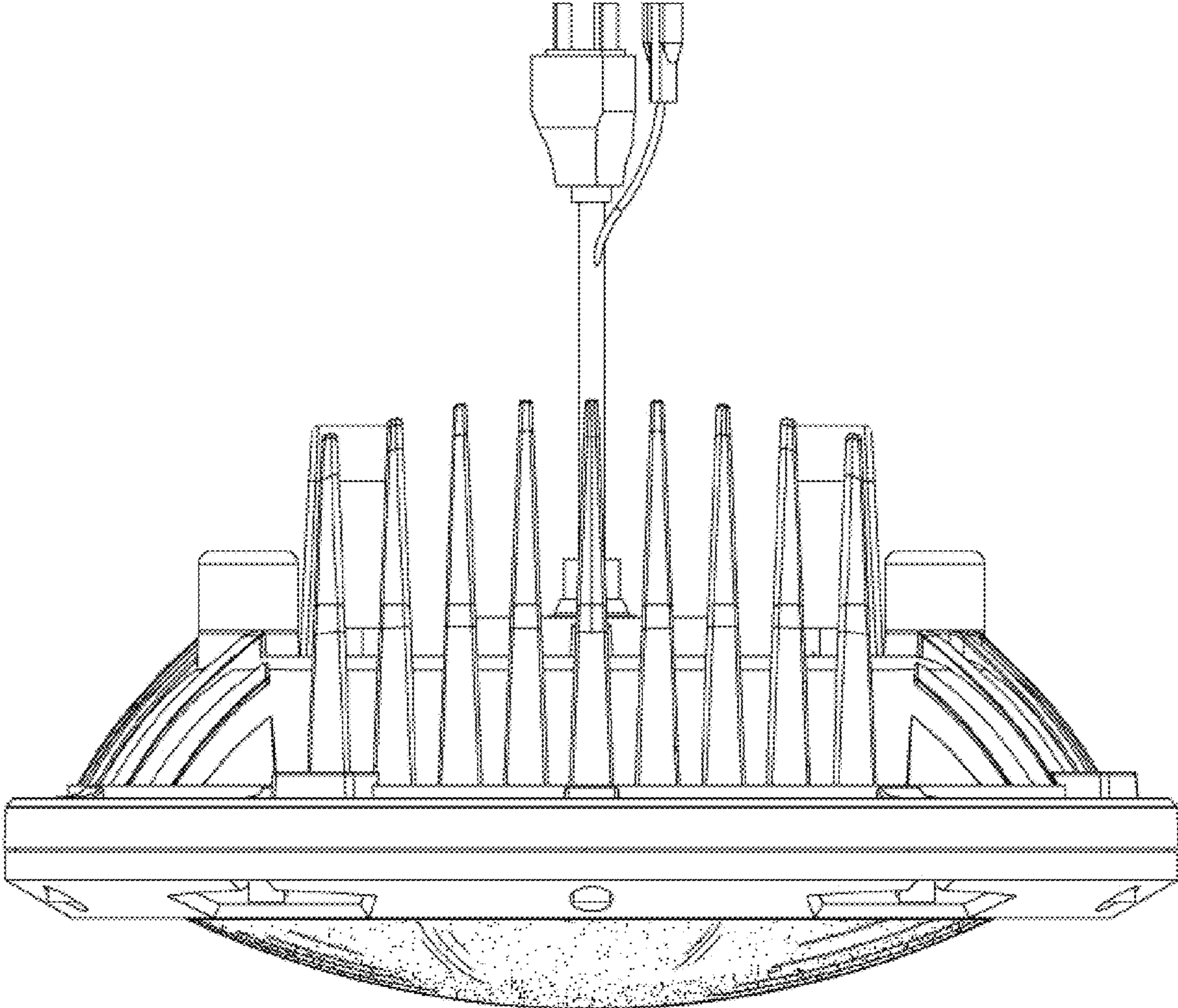


FIG.7

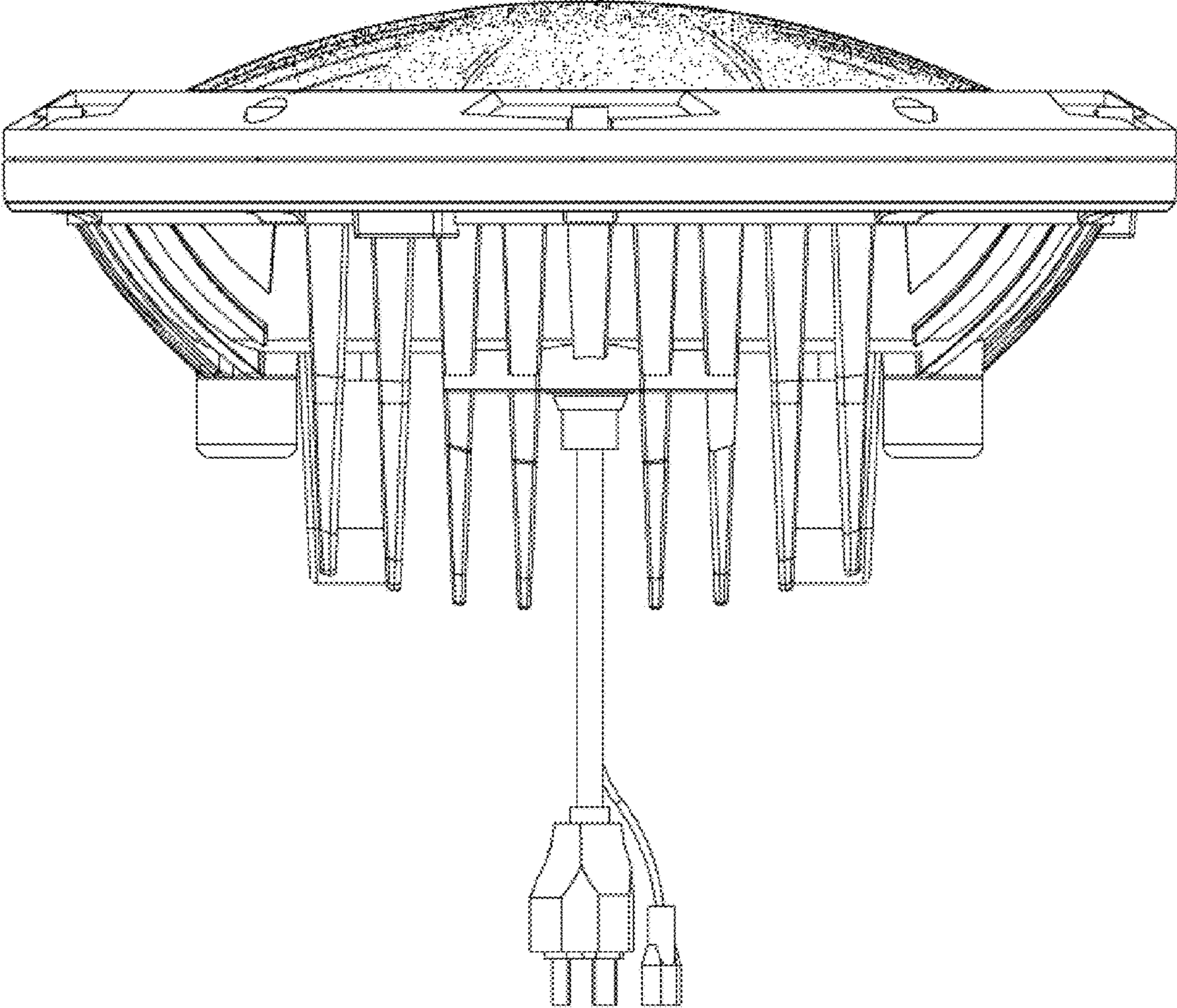


FIG.8