



US00D854204S

(12) **United States Design Patent**
Ting et al.

(10) **Patent No.:** **US D854,204 S**
(45) **Date of Patent:** **** Jul. 16, 2019**

- (54) **VEHICLE LAMP**
- (71) Applicant: **MIN HSIANG CORPORATION**,
Tainan (TW)
- (72) Inventors: **Ming-Hung Ting**, Tainan (TW);
Chih-Wei Shih, Tainan (TW)
- (73) Assignee: **MIN HSIANG CORPORATION**,
Tainan (TW)
- (**) Term: **15 Years**
- (21) Appl. No.: **29/629,270**
- (22) Filed: **Dec. 12, 2017**
- (51) **LOC (11) Cl.** **26-06**
- (52) **U.S. Cl.**
USPC **D26/28**
- (58) **Field of Classification Search**
USPC D26/28-36
CPC F21S 48/00; F21S 48/10; F21S 48/1266;
F21S 48/1388; F21S 48/2268; F21V
21/04
See application file for complete search history.

- D762,891 S * 8/2016 Watanabe D26/28
- D762,892 S * 8/2016 Kosugi D26/28
- D765,287 S * 8/2016 Kosugi D26/28
- D770,652 S * 11/2016 Lai D26/28
- D772,450 S * 11/2016 Ma D26/28
- D772,451 S * 11/2016 Ma D26/28
- D772,452 S * 11/2016 Zhang D26/28
- D810,330 S * 2/2018 Sibitzky D26/28
- D815,318 S * 4/2018 LaMarche D26/28
- D821,635 S * 6/2018 Wu D26/122
- D839,458 S * 1/2019 Ting D26/28

* cited by examiner

Primary Examiner — Mark A Goodwin
Assistant Examiner — Benjamin M Weeks
(74) *Attorney, Agent, or Firm* — LeClairRyan

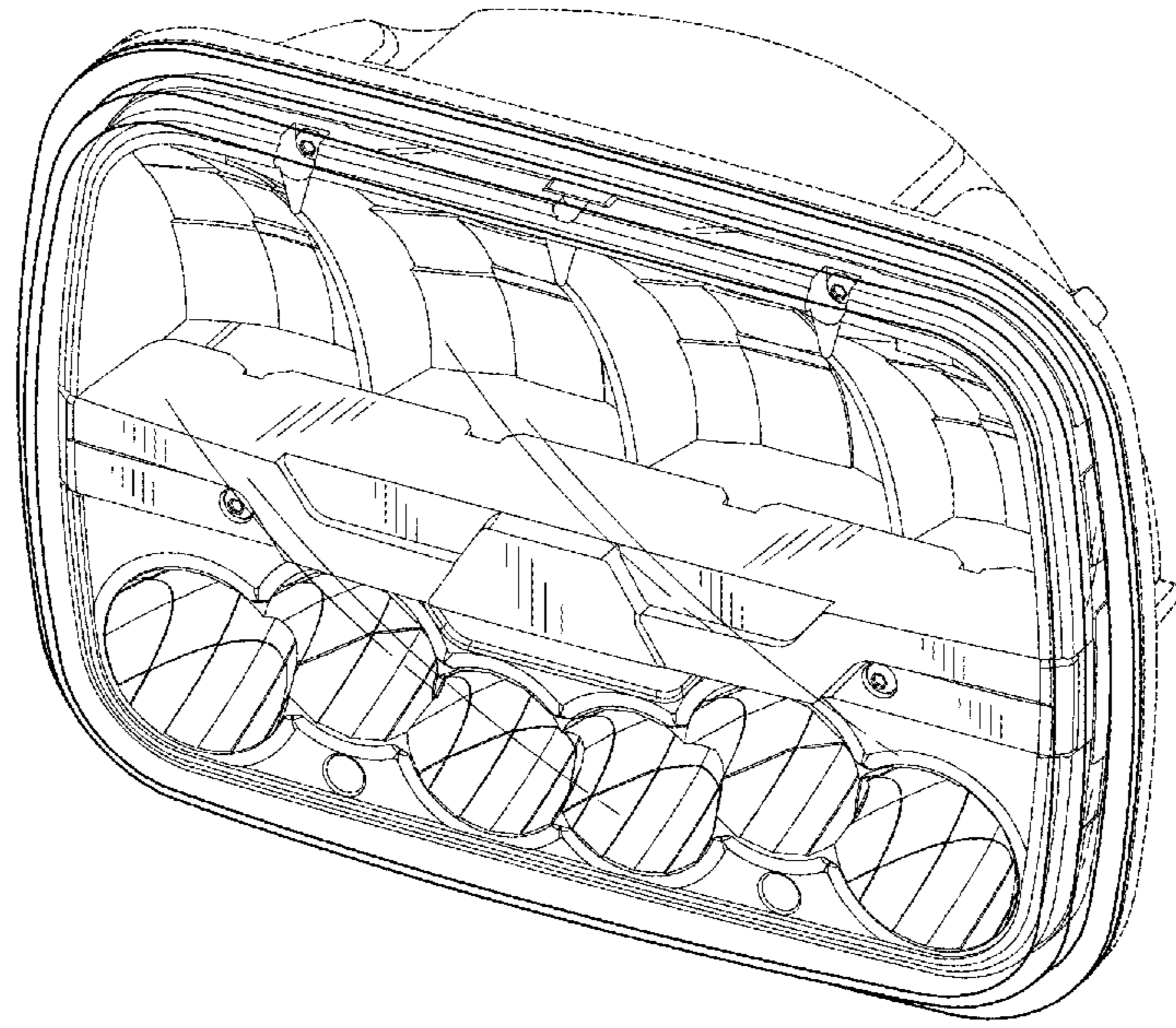
(57) **CLAIM**
The ornamental design for a vehicle lamp, as shown and described.

DESCRIPTION

FIG. 1 is a perspective view of a vehicle lamp showing our new design;
FIG. 2 is a front elevational view thereof;
FIG. 3 is a rear elevational view thereof;
FIG. 4 is a left side elevational view thereof;
FIG. 5 is a right side elevational view thereof;
FIG. 6 is a top plan view thereof;
FIG. 7 is a bottom plan view thereof; and,
FIG. 8 is another perspective view thereof.
The broken lines represent portions of the vehicle lamp and form no part of the claimed design.

1 Claim, 5 Drawing Sheets

- (56) **References Cited**
U.S. PATENT DOCUMENTS
D304,861 S * 11/1989 Schmidt D26/29
D476,100 S * 6/2003 Lin D26/28
D643,955 S * 8/2011 Tsai D26/28
D738,018 S * 9/2015 Lin D26/28
D760,932 S * 7/2016 Huang D26/28



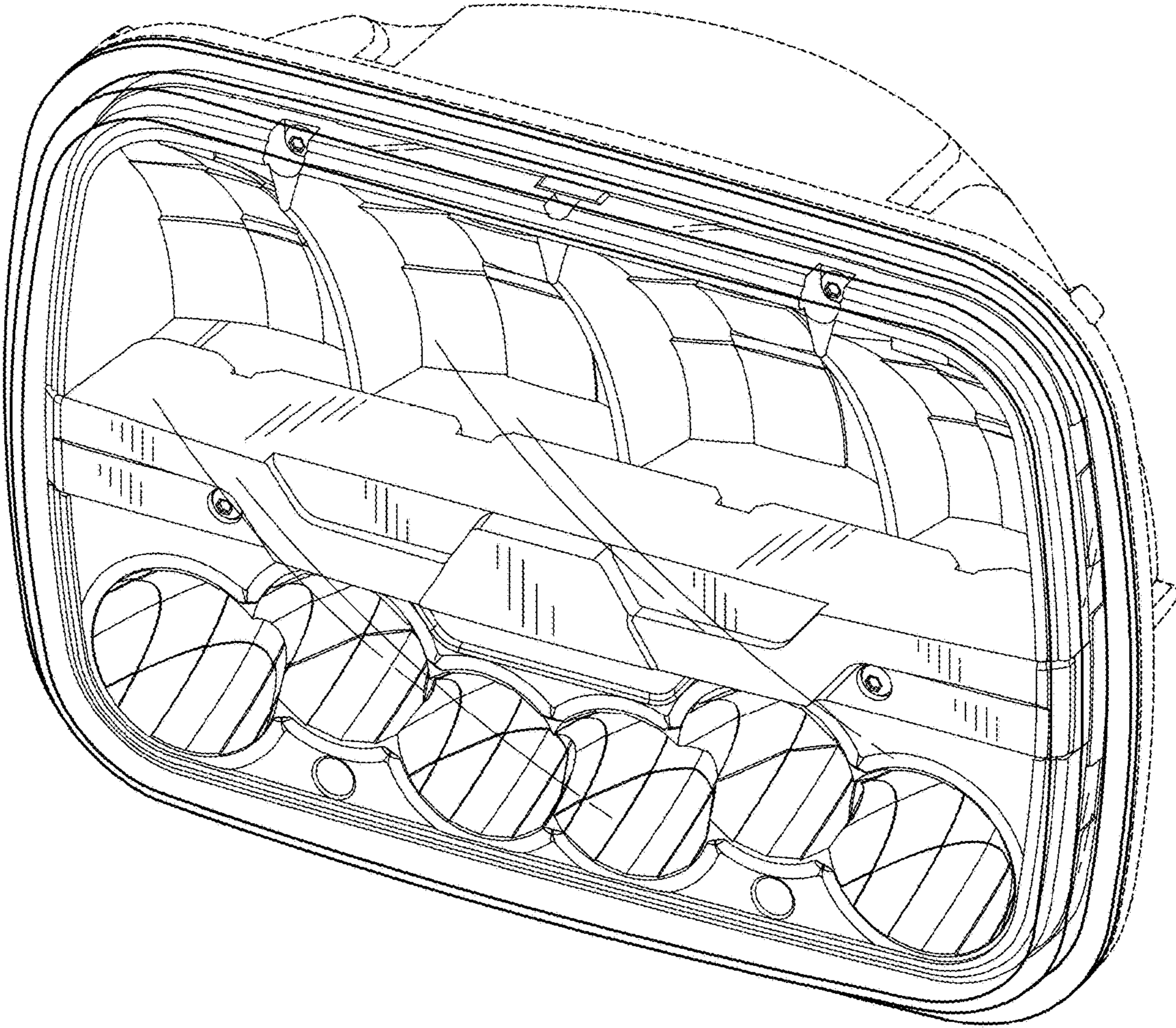


FIG. 1

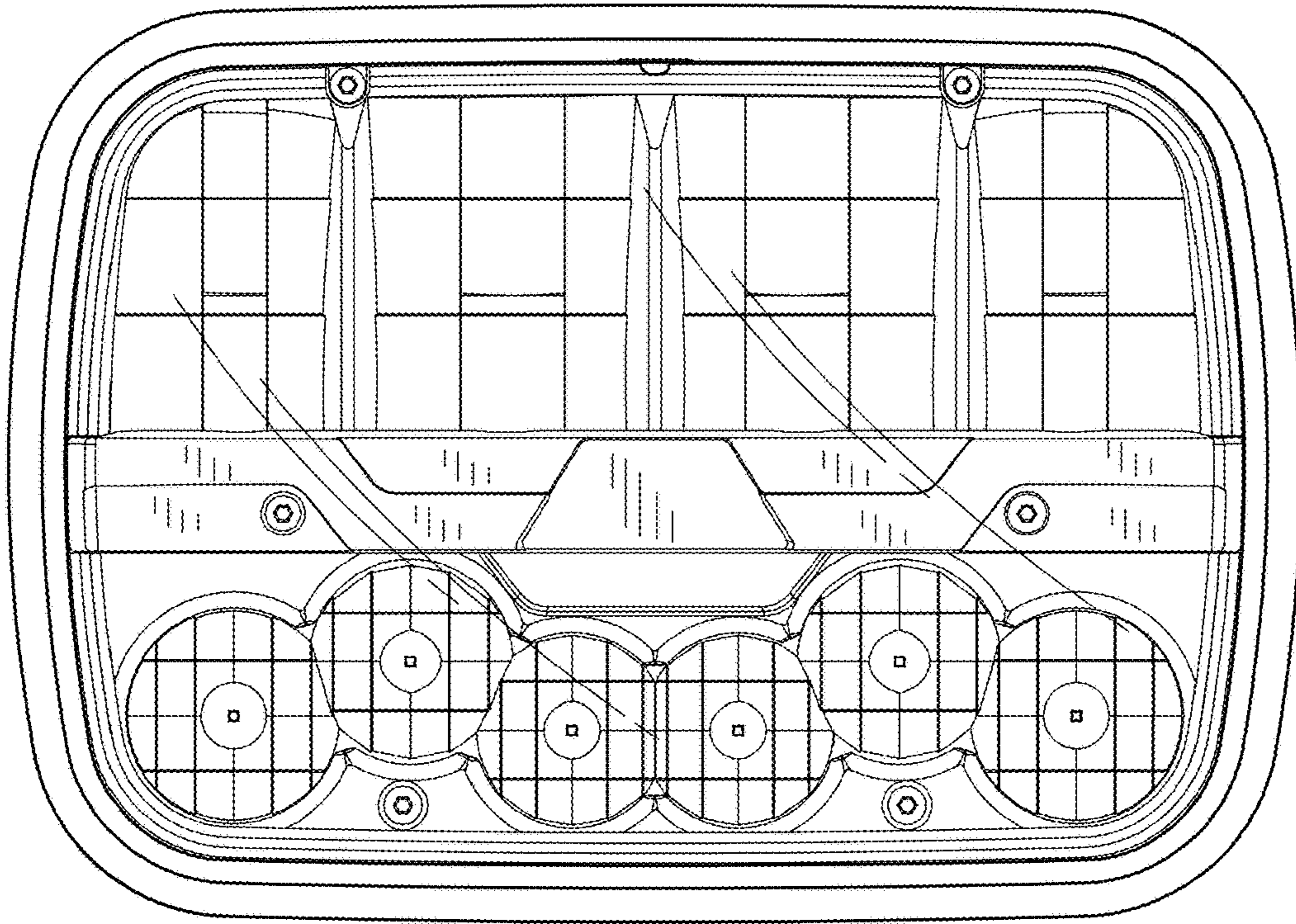


FIG. 2

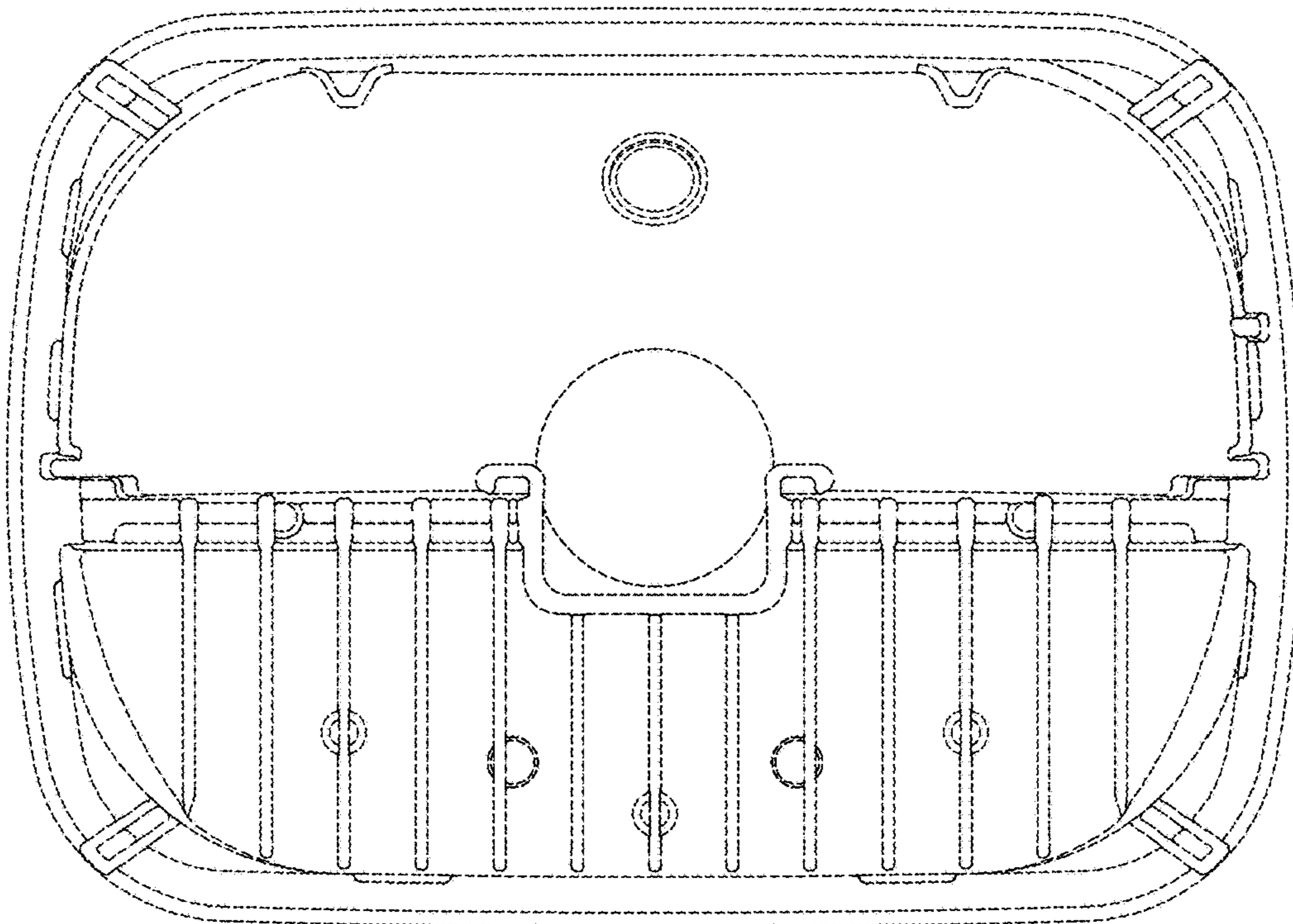


FIG. 3

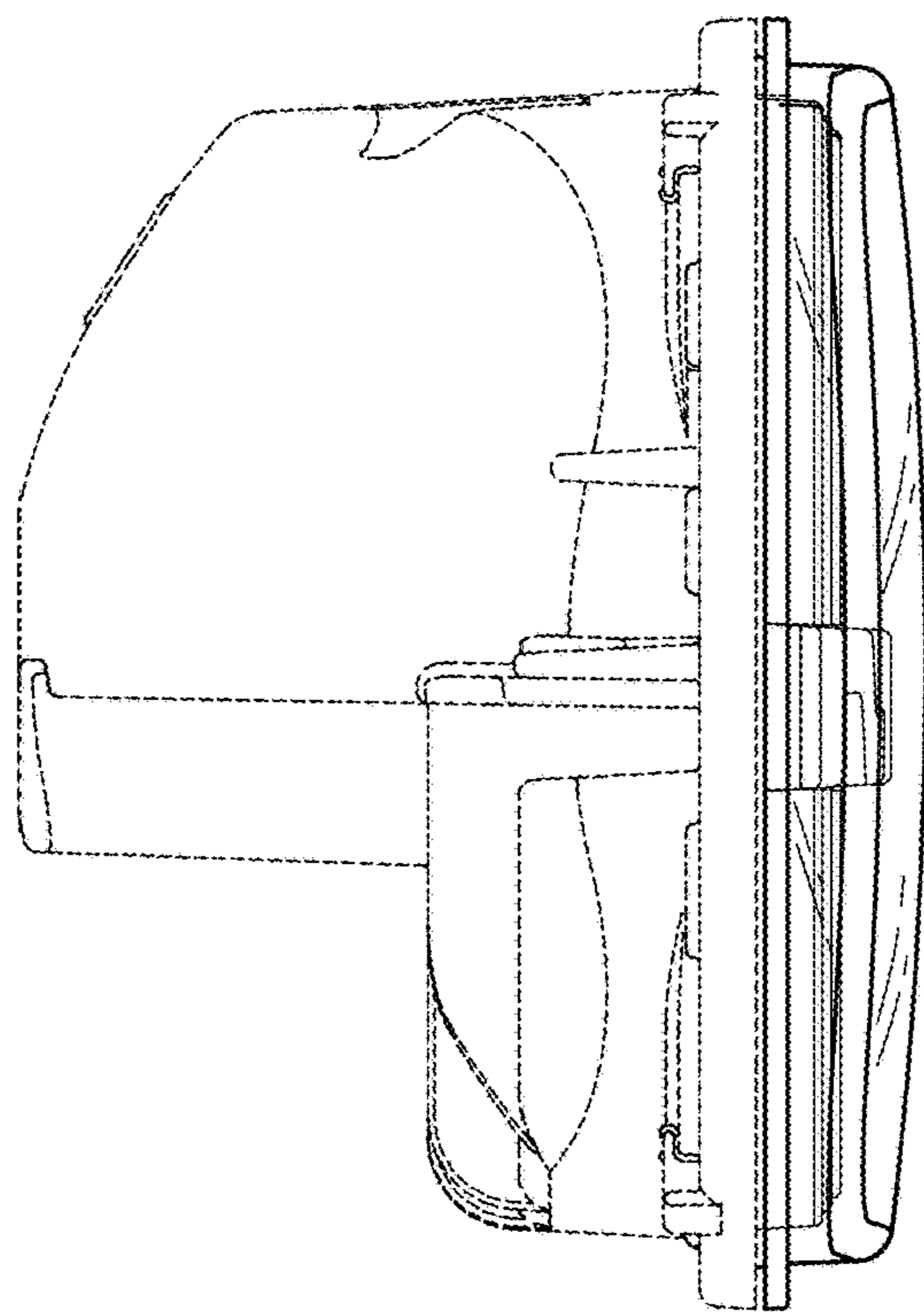


FIG. 4

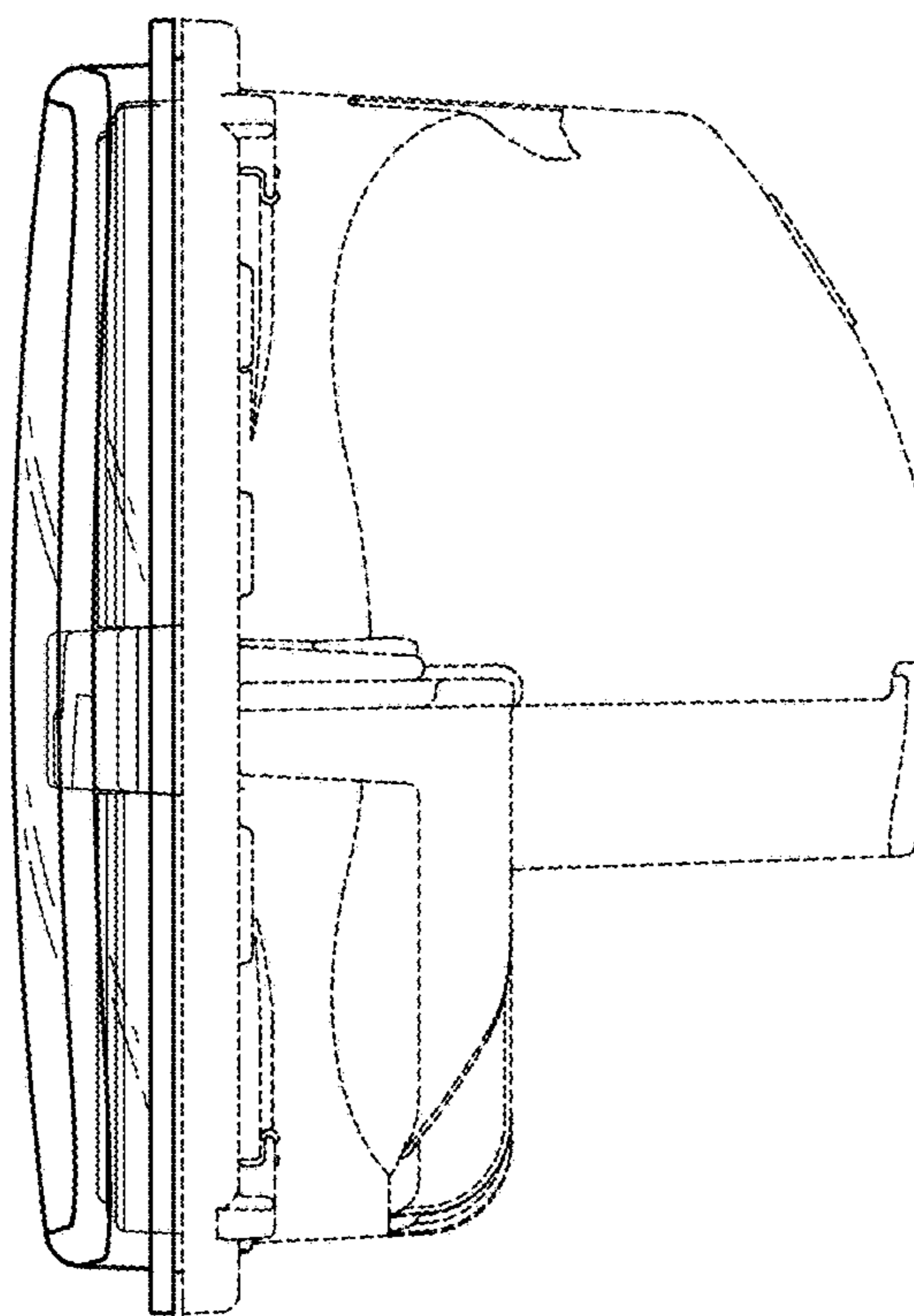


FIG. 5

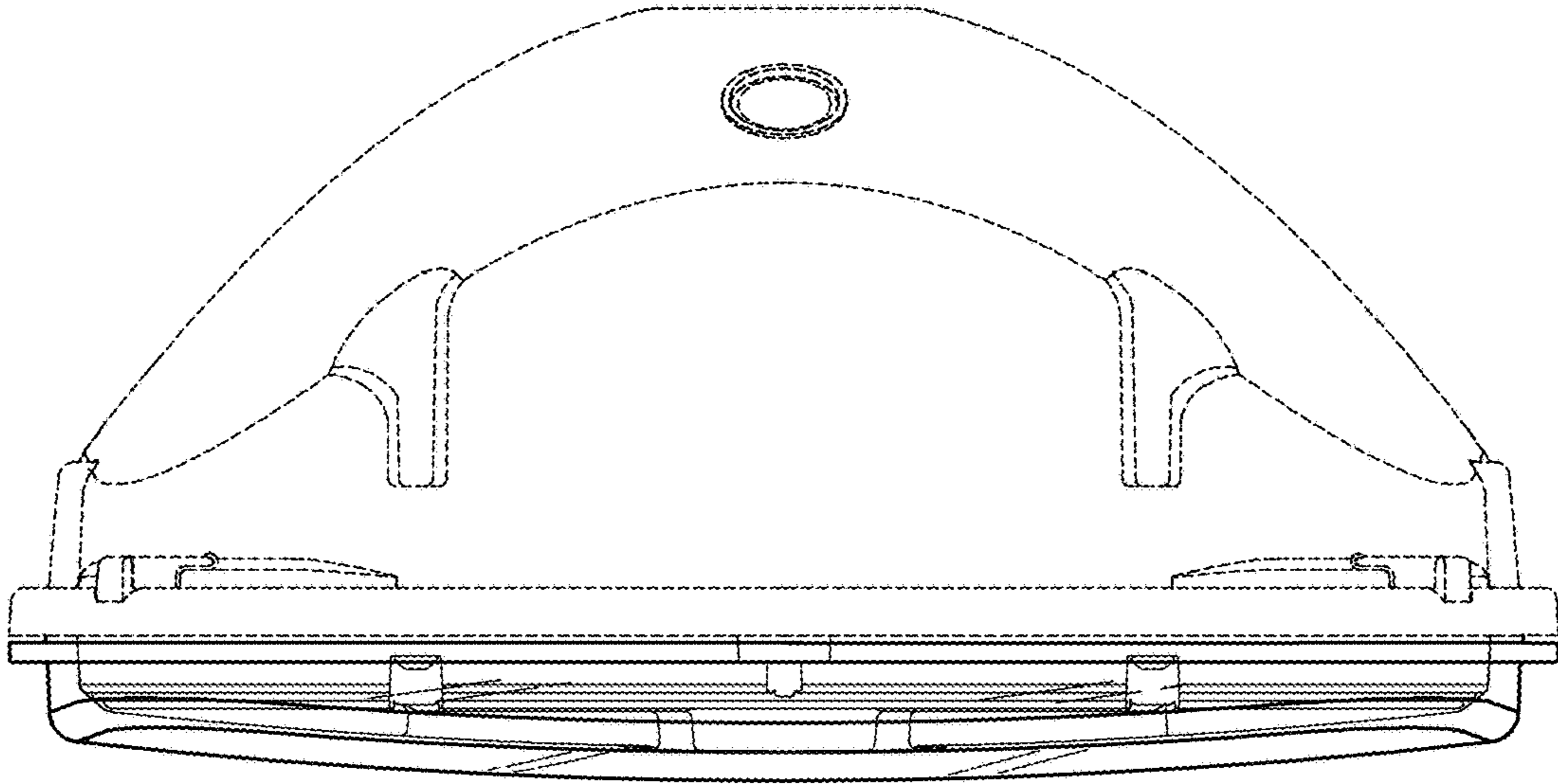


FIG. 6

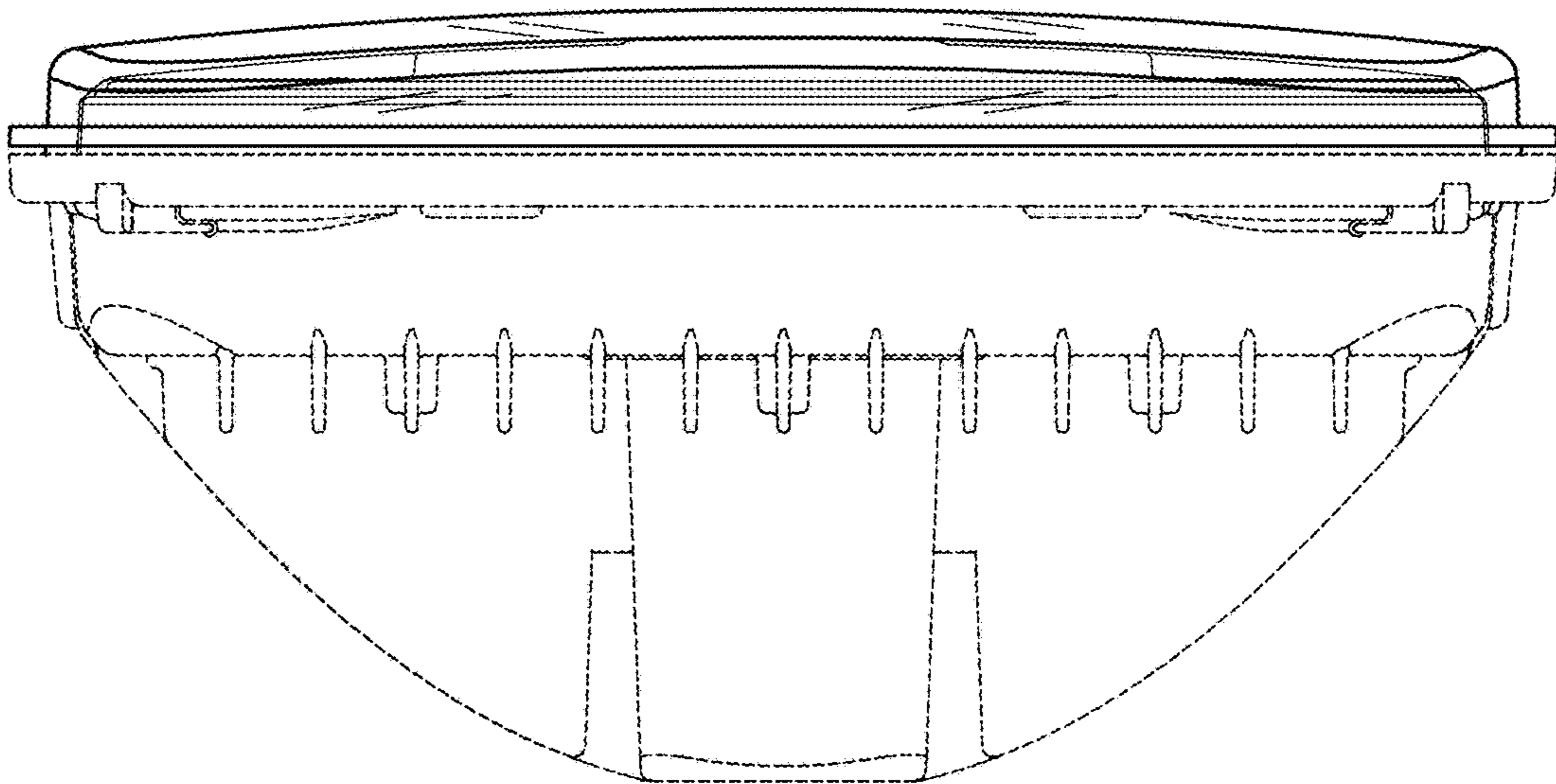


FIG. 7

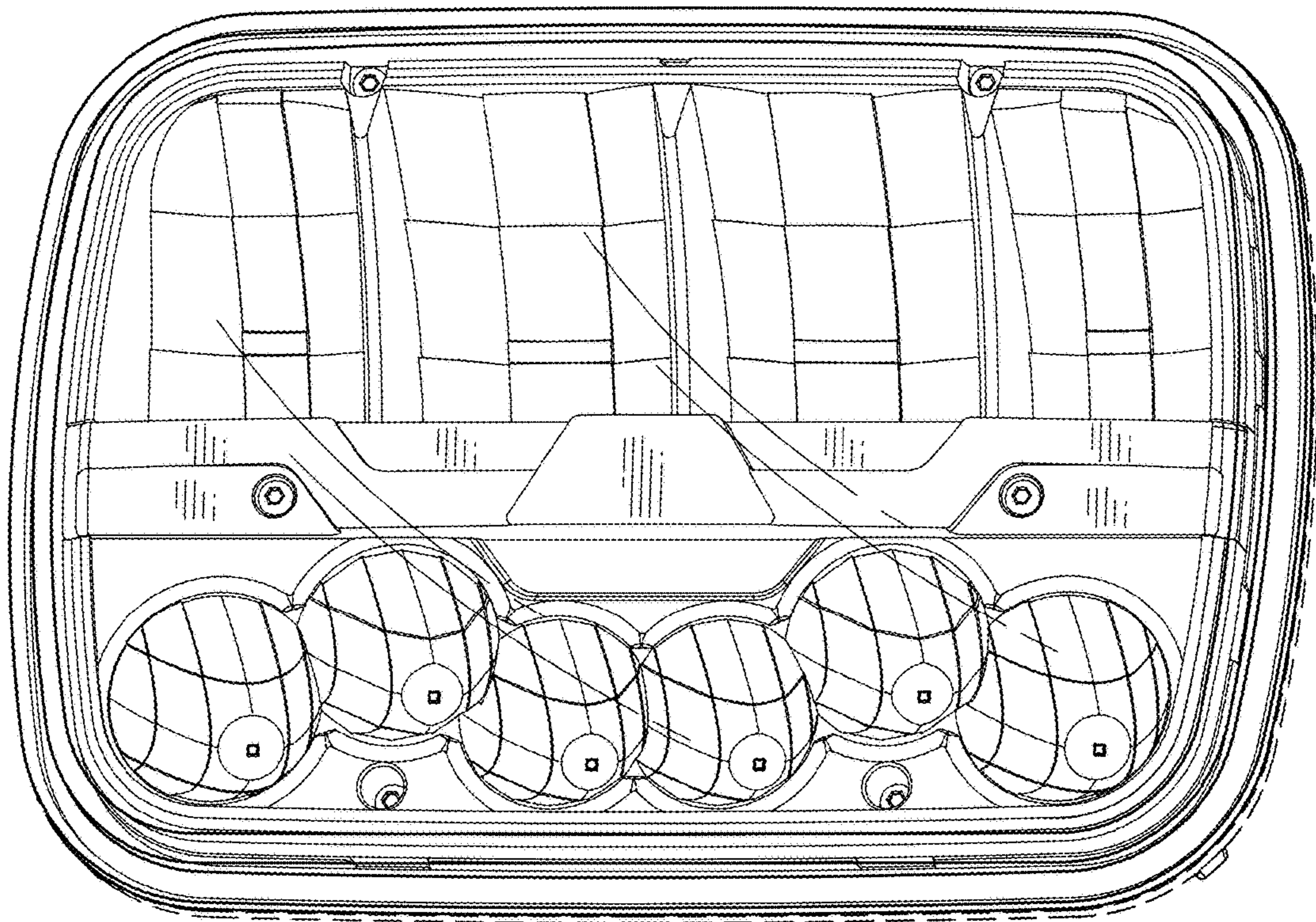


FIG.8