



US00D854203S

(12) **United States Design Patent** (10) **Patent No.:** **US D854,203 S**
Nishii (45) **Date of Patent:** **** Jul. 16, 2019**

(54) **REAR COMBINATION LAMP FOR AN AUTOMOBILE**

(71) Applicant: **Subaru Corporation**, Tokyo (JP)

(72) Inventor: **Takatoshi Nishii**, Tokyo (JP)

(73) Assignee: **Subaru Corporation**, Tokyo (JP)

(**) Term: **15 Years**

(21) Appl. No.: **29/617,293**

(22) Filed: **Sep. 13, 2017**

(30) **Foreign Application Priority Data**

Mar. 13, 2017 (JP) 2017-005059

(51) **LOC (11) Cl.** **26-06**

(52) **U.S. Cl.**
USPC **D26/28**

(58) **Field of Classification Search**
USPC D26/28-36
CPC F21S 48/00; F21S 48/10; F21S 48/1266;
F21S 48/1388; F21S 48/2268; F21V
21/04
See application file for complete search history.

(56) **References Cited**

U.S. PATENT DOCUMENTS

D573,732 S * 7/2008 Suzuki D26/28
D730,552 S * 5/2015 George D26/28
D735,914 S * 8/2015 Gotschke D26/28
D735,915 S * 8/2015 Grake D26/28
D735,916 S * 8/2015 Grake D26/28

D747,019 S * 1/2016 Behmer D26/28
D750,291 S * 2/2016 Platto D26/28
D751,740 S * 3/2016 Wolff D26/28
D753,323 S * 4/2016 George D26/28
D754,892 S * 4/2016 Hatton D26/28
D760,933 S * 7/2016 Keskin D26/28
D761,980 S * 7/2016 Keskin D26/28
D771,851 S * 11/2016 Platto D26/28
D780,963 S * 3/2017 Behmer D26/28
D790,741 S * 6/2017 Svensson D26/28
D806,920 S * 1/2018 Bucher D26/28
D814,073 S * 3/2018 Granlund D26/28
D821,003 S * 6/2018 Bucher D26/28
D821,616 S * 6/2018 Chung D26/28
D823,498 S * 7/2018 Bucher D26/28

* cited by examiner

Primary Examiner — Mark A Goodwin

Assistant Examiner — Benjamin M Weeks

(74) *Attorney, Agent, or Firm* — Schiff Hardin LLP

(57) **CLAIM**

I claim the ornamental design for a rear combination lamp for an automobile thereof, as shown and described.

DESCRIPTION

FIG. 1 is a front perspective view for a “rear combination lamp for an automobile” showing my new design, FIG. 2 is a rear perspective view thereof, FIG. 3 is a front view thereof, FIG. 4 is a rear view thereof, FIG. 5 is a top view thereof, FIG. 6 is a bottom view thereof, FIG. 7 is a left-side view thereof; and, FIG. 8 is a right-side view thereof.

1 Claim, 8 Drawing Sheets



Fig. 1



Fig. 2

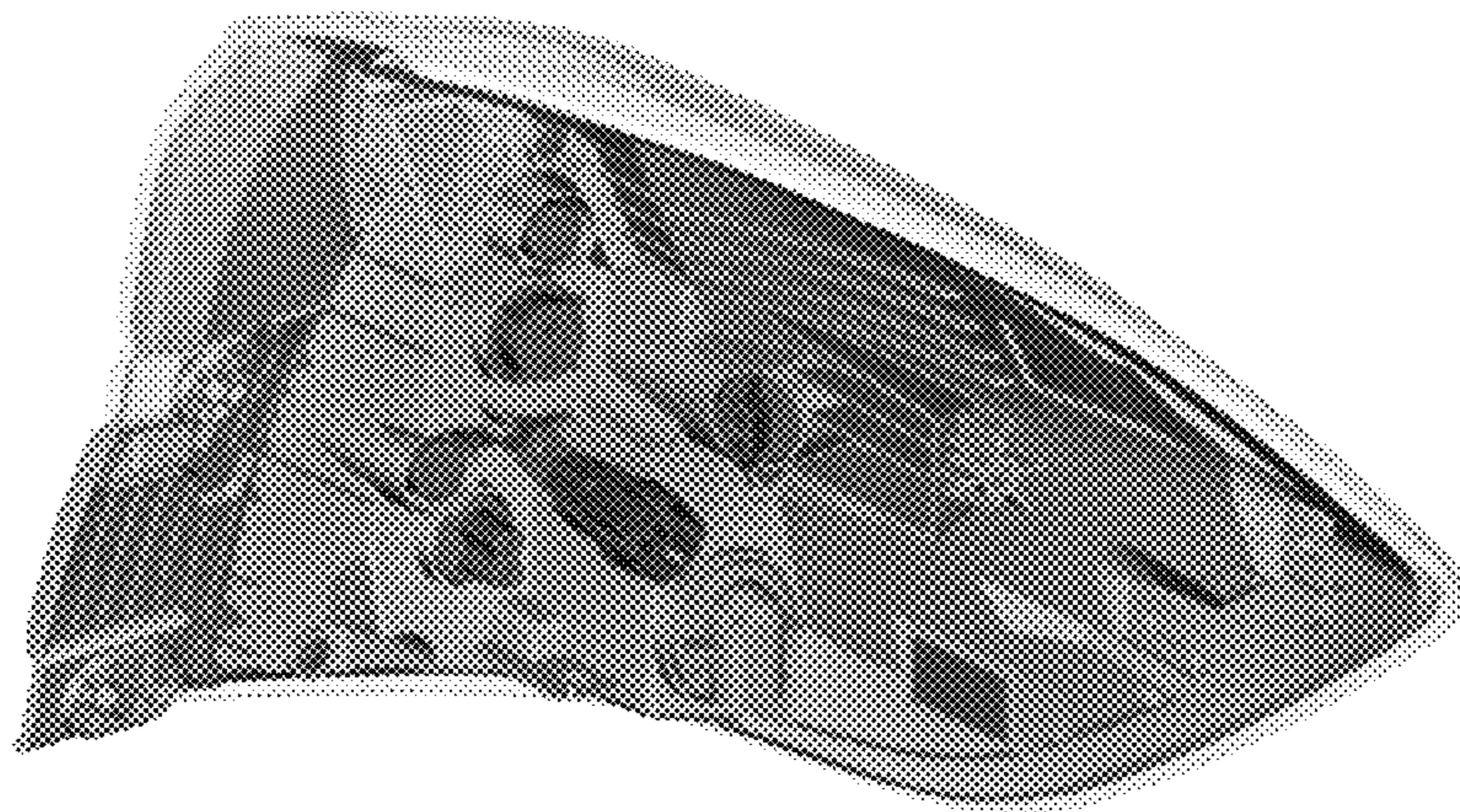


Fig. 3

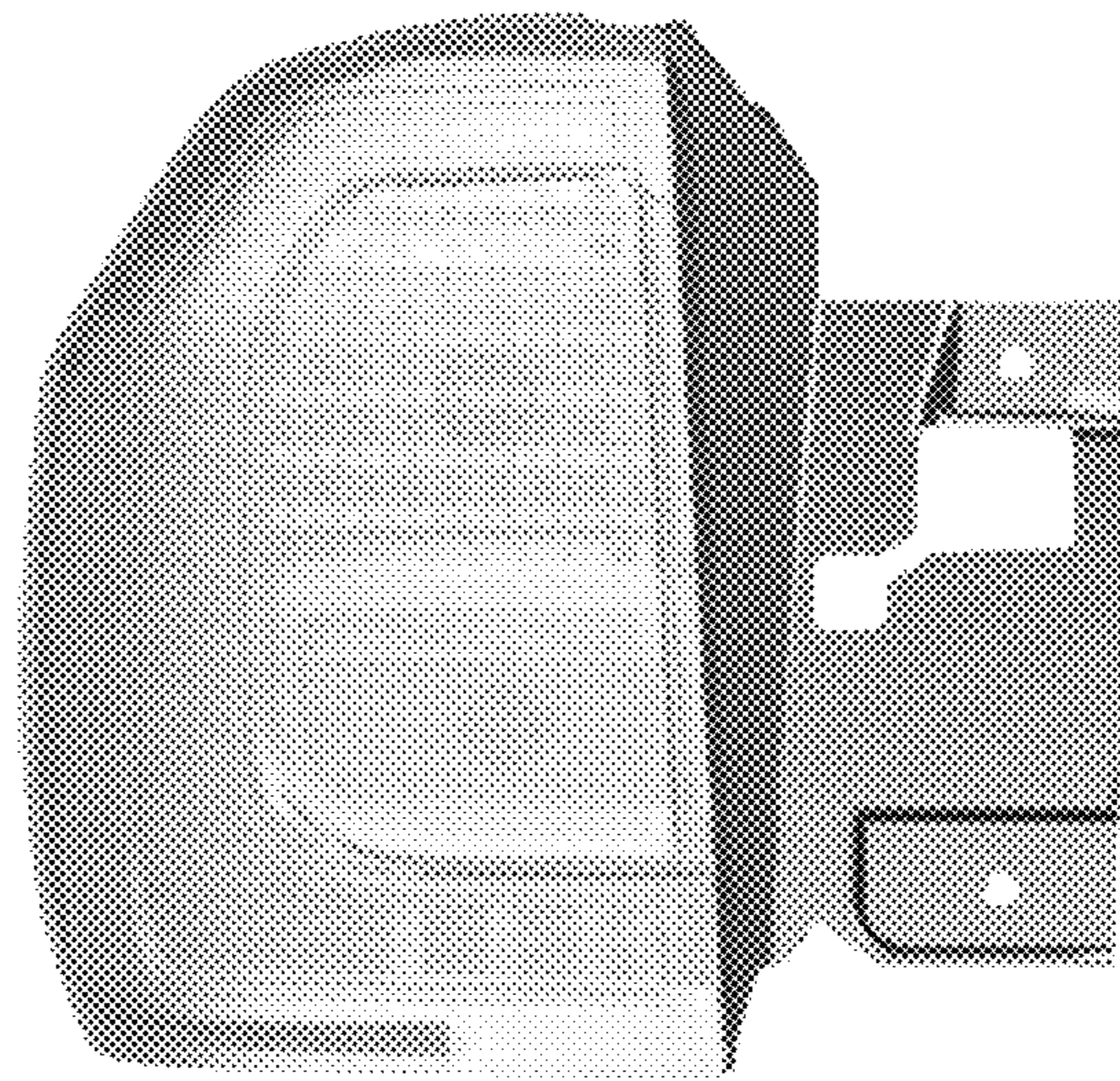


Fig. 4

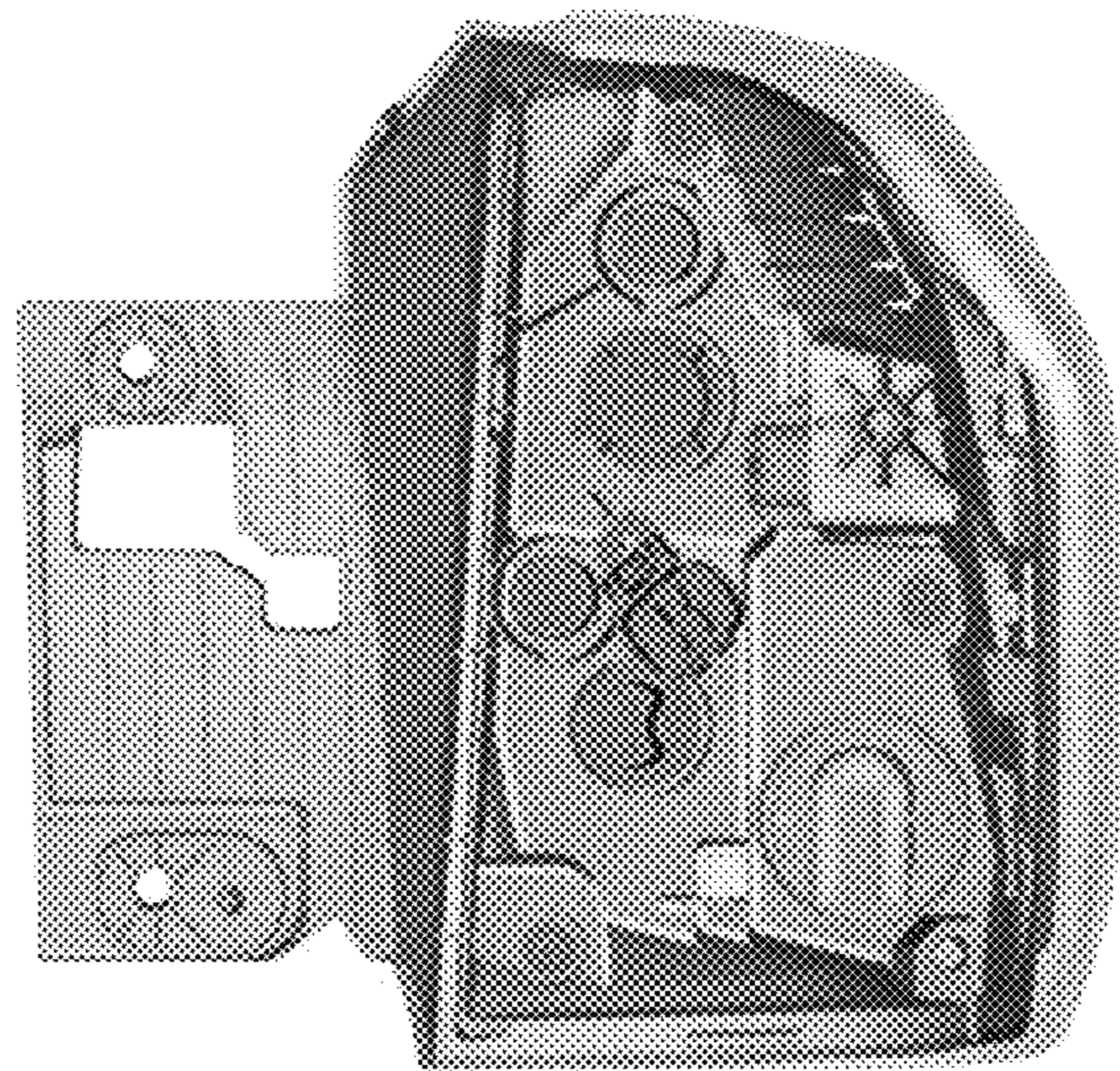


Fig. 5

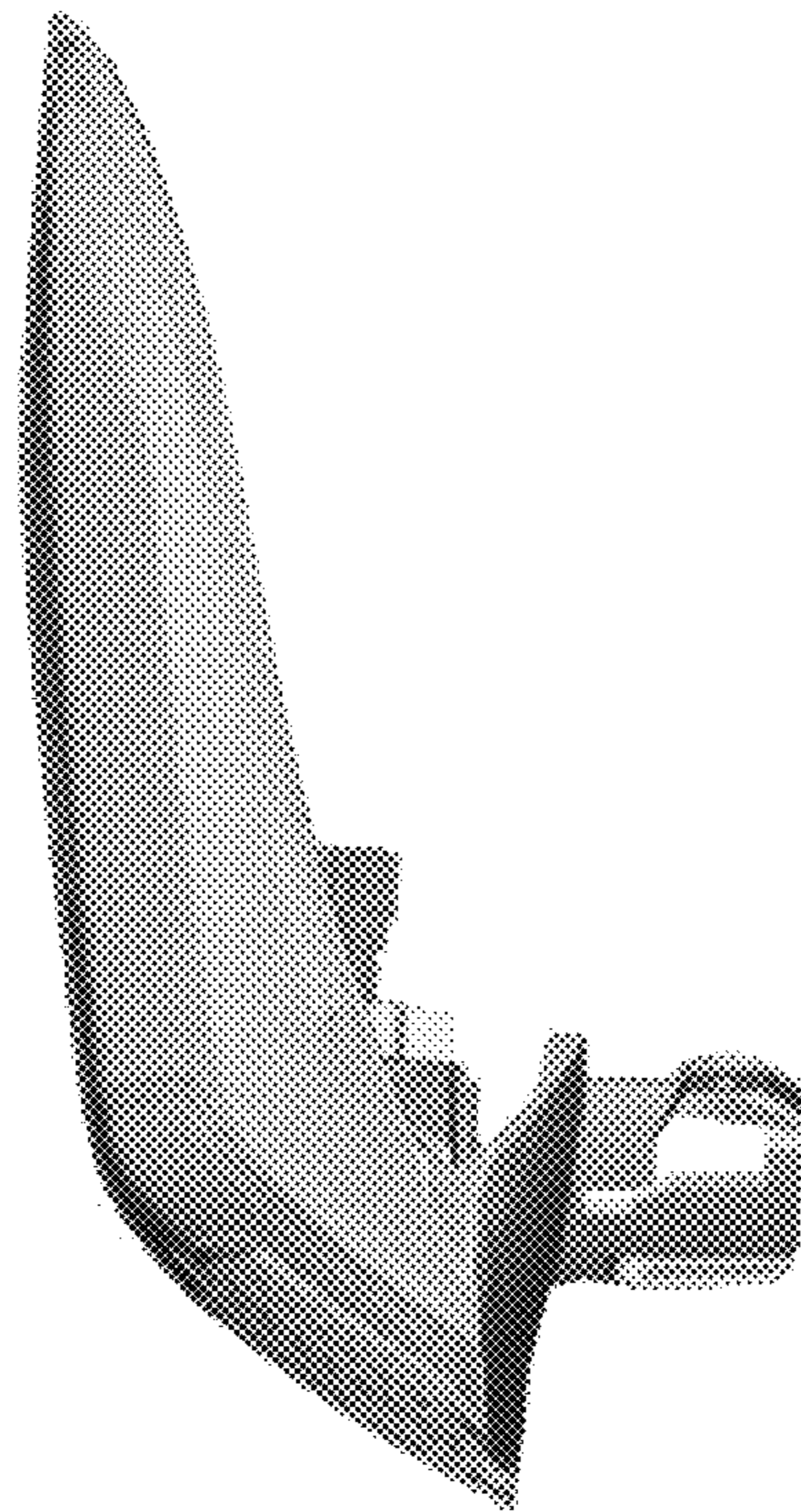


Fig. 6

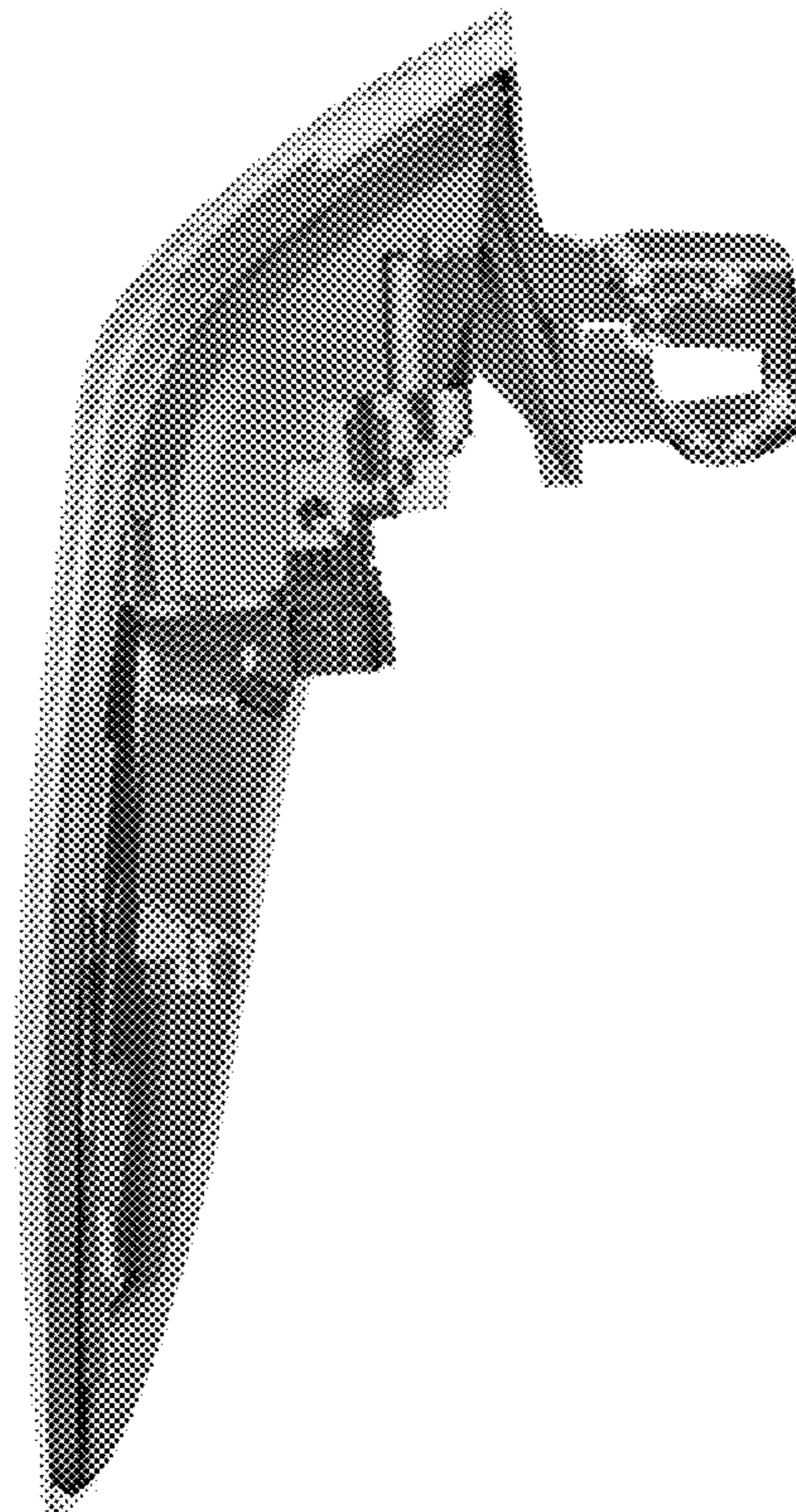


Fig. 7

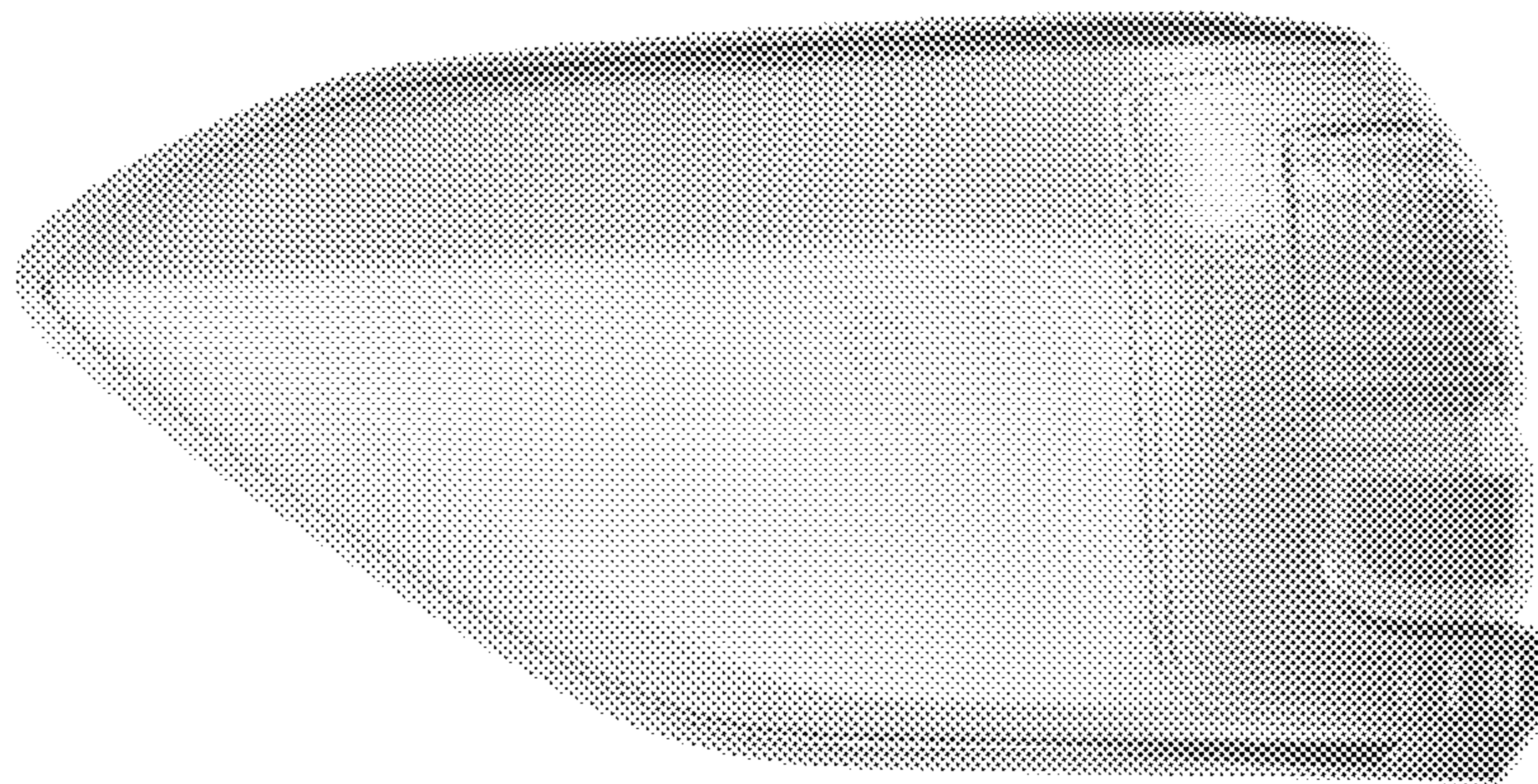


Fig. 8

