



US00D854200S

(12) **United States Design Patent** (10) **Patent No.:** **US D854,200 S**  
**Kasakura et al.** (45) **Date of Patent:** **\*\* Jul. 16, 2019**

(54) **LED LIGHTING UNIT**

(56) **References Cited**

(71) Applicant: **Mitsubishi Chemical Corporation**,  
Chiyoda-ku (JP)

U.S. PATENT DOCUMENTS

(72) Inventors: **Akeo Kasakura**, Tokyo (JP); **Yutaka Saito**, Tokyo (JP); **Yoshimasa Sakai**, Tokyo (JP)

D592,766 S *	5/2009	Zhu	.....	D26/2
D607,587 S *	1/2010	Ko	.....	D26/2
D610,275 S *	2/2010	Cho	.....	D26/2
D612,956 S *	3/2010	Moon	.....	D26/2
D613,433 S *	4/2010	Moon	.....	D26/2
D687,985 S *	8/2013	Tu	.....	D26/2

(73) Assignee: **Mitsubishi Chemical Corporation**,  
Chiyoda-ku (JP)

\* cited by examiner

(\*\*) Term: **15 Years**

*Primary Examiner* — Marcus A Jackson

(74) *Attorney, Agent, or Firm* — Oblon, McClelland,  
Maier & Neustadt, L.L.P.

(21) Appl. No.: **29/637,164**

(57) **CLAIM**

The ornamental design for an LED lighting unit, as shown and described.

(22) Filed: **Feb. 14, 2018**

(51) **LOC (11) Cl.** ..... **26-04**

**DESCRIPTION**

(52) **U.S. Cl.**  
USPC ..... **D26/2**

(58) **Field of Classification Search**  
USPC ..... D26/1-4  
CPC ..... F21K 9/13; F21K 9/135; F21K 9/1375;  
H01R 5/00; H01R 13/46; H01R 13/514;  
H01R 31/048; H01R 31/02; H01J 5/00;  
H01J 5/16; H01J 1/02; H01J 15/00; H01J  
5/48; H01J 5/50; H01J 19/54; F21V 5/00;  
F21V 13/00; F21V 29/004

FIG. 1 is a perspective view of a LED lighting unit showing our new design;  
FIG. 2 is a front view thereof;  
FIG. 3 is a rear view thereof;  
FIG. 4 is a left side view thereof;  
FIG. 5 is a right side view thereof;  
FIG. 6 is a top plan view thereof; and,  
FIG. 7 is a bottom view thereof.  
The broken lines indicate the unclaimed portions of the LED lighting unit and form no part of the claimed design.

See application file for complete search history.

**1 Claim, 7 Drawing Sheets**

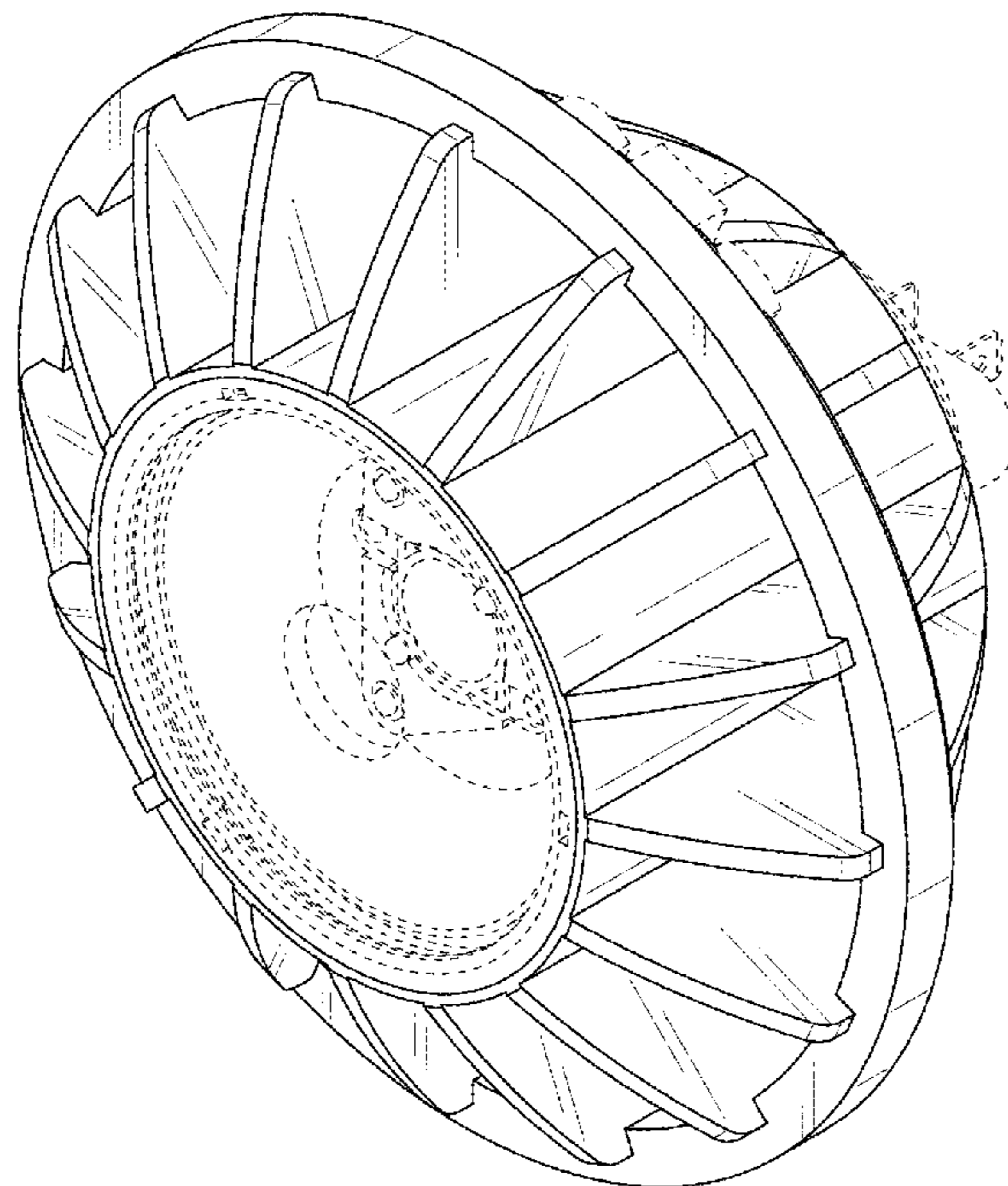


Fig. 1

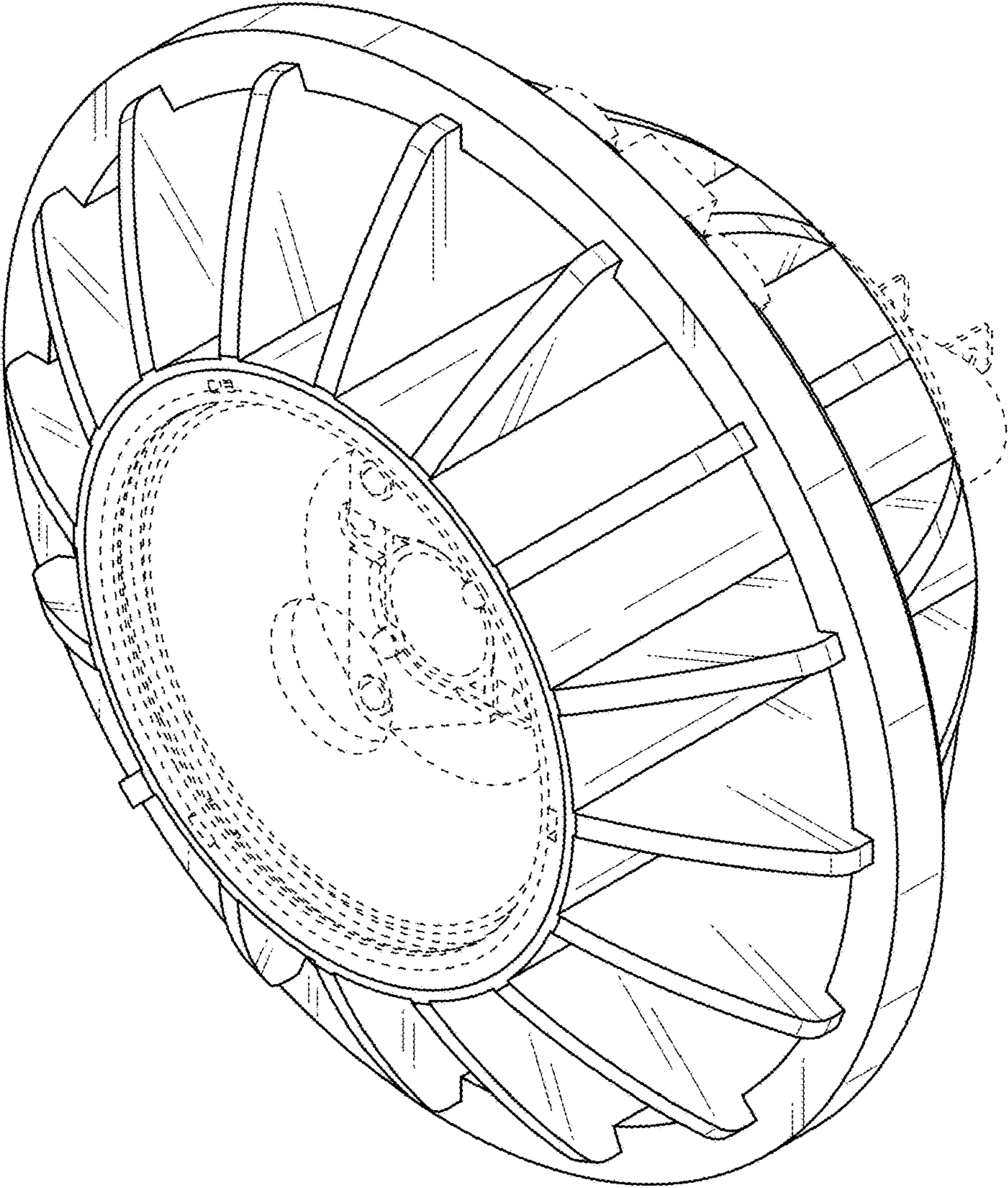


Fig. 2

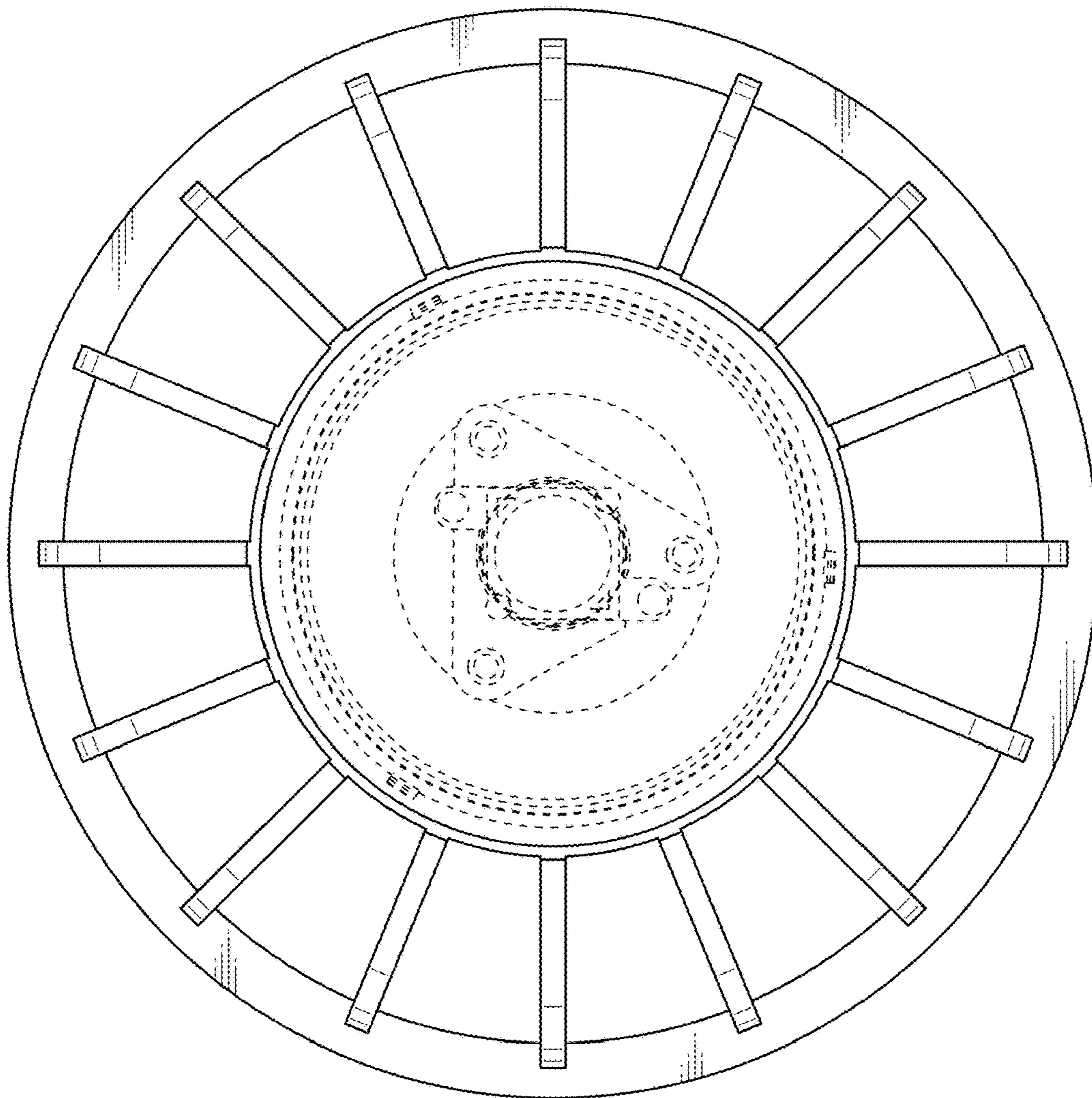


Fig. 3

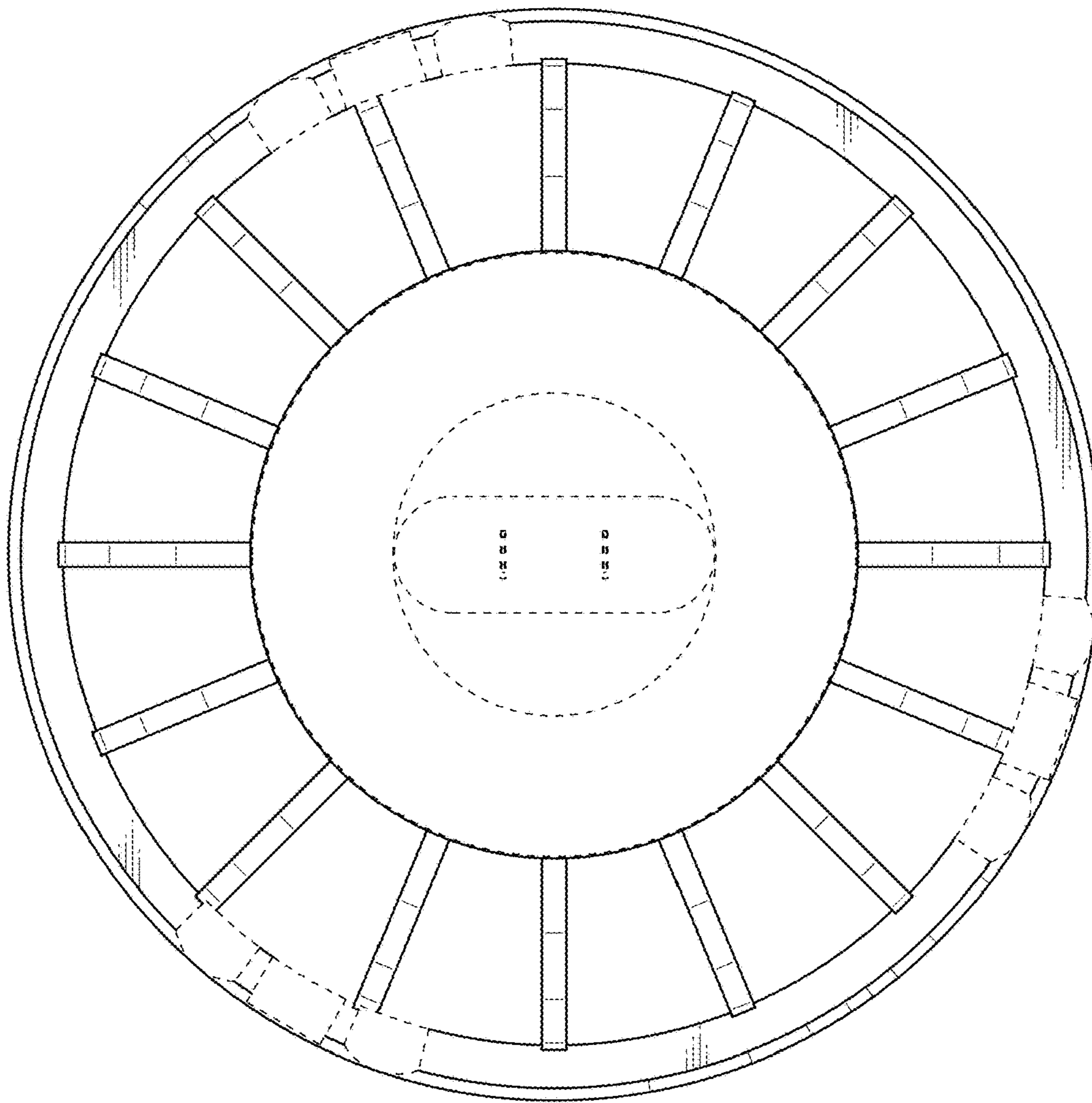


Fig. 4

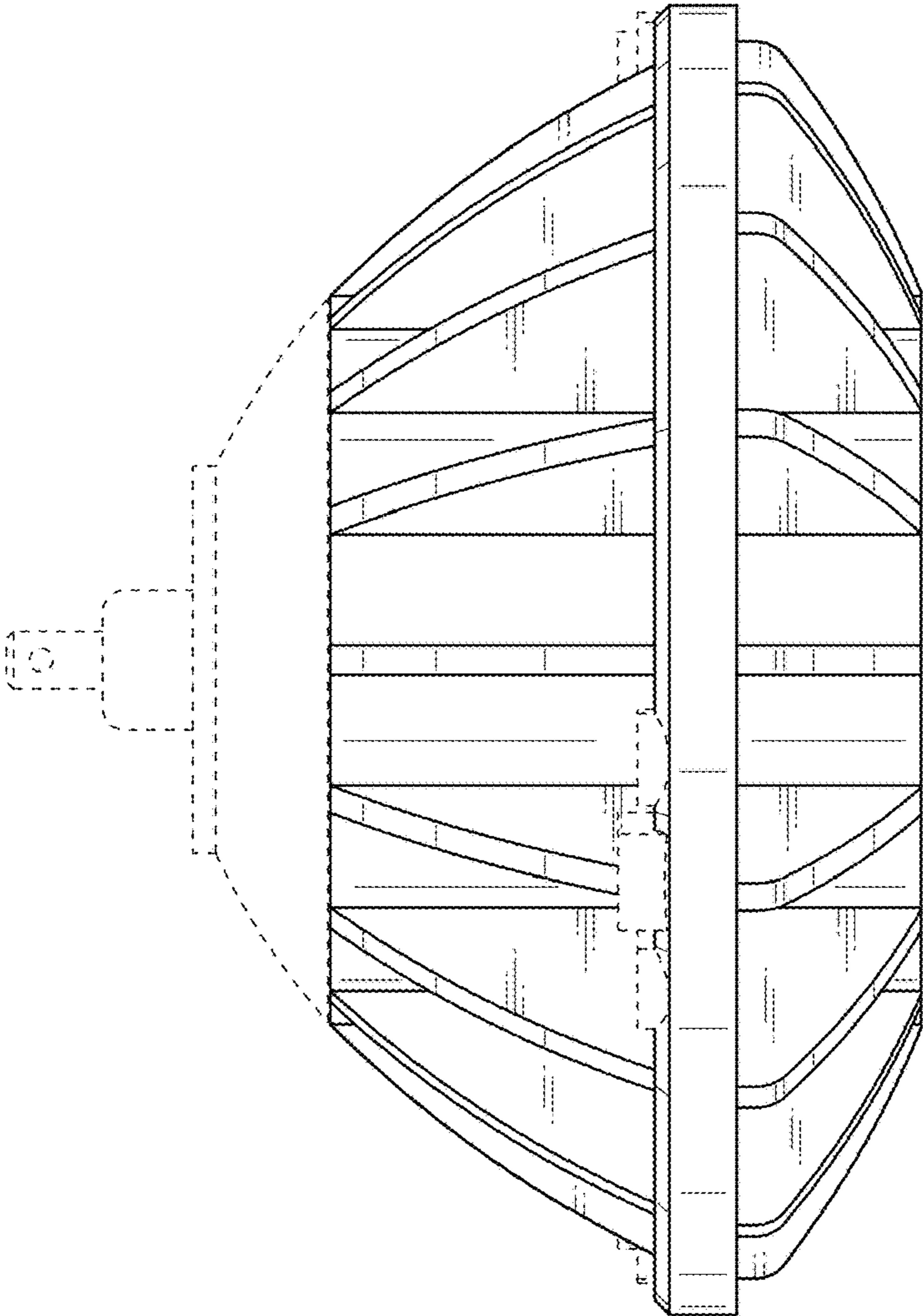


Fig. 5

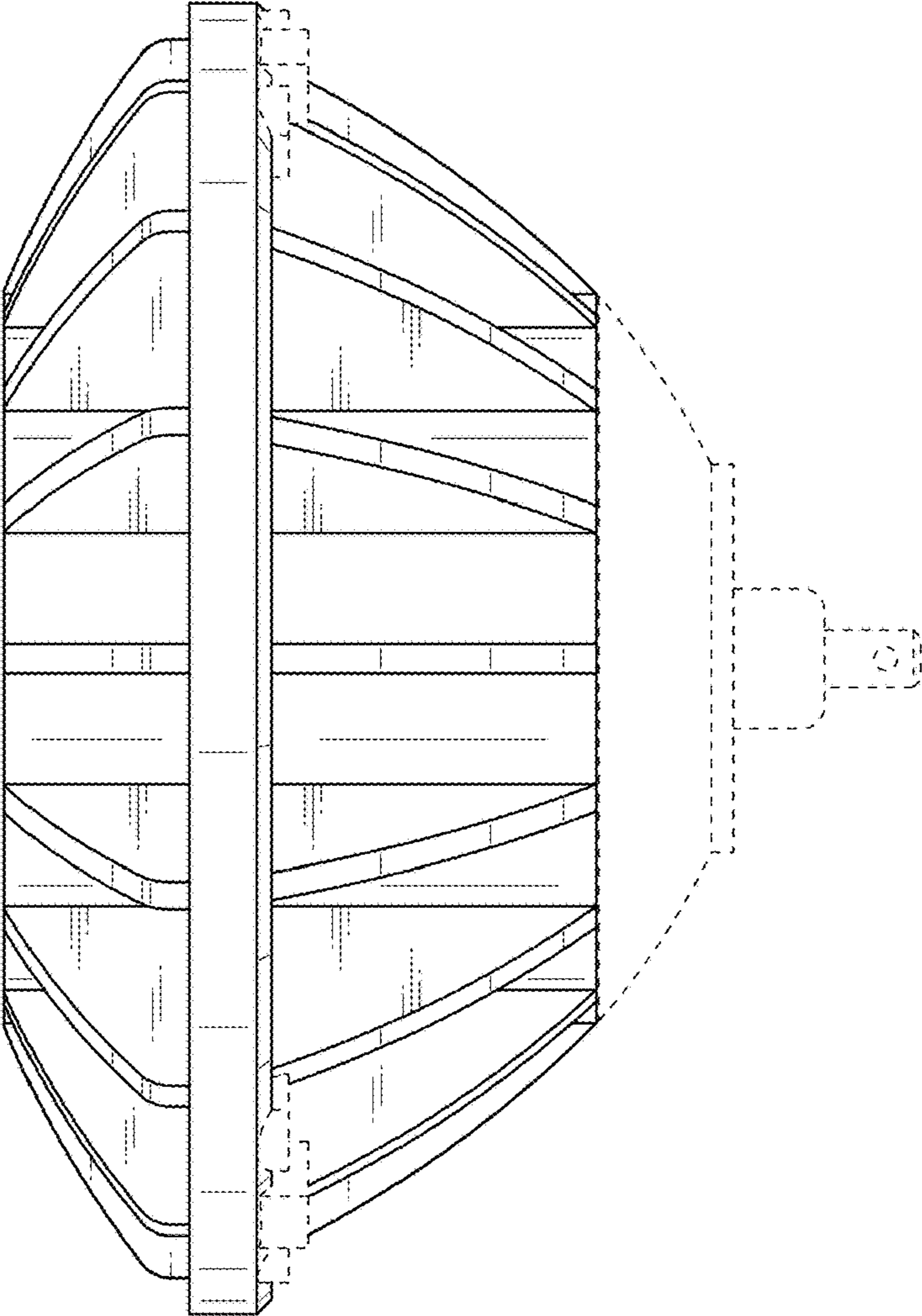


Fig. 6

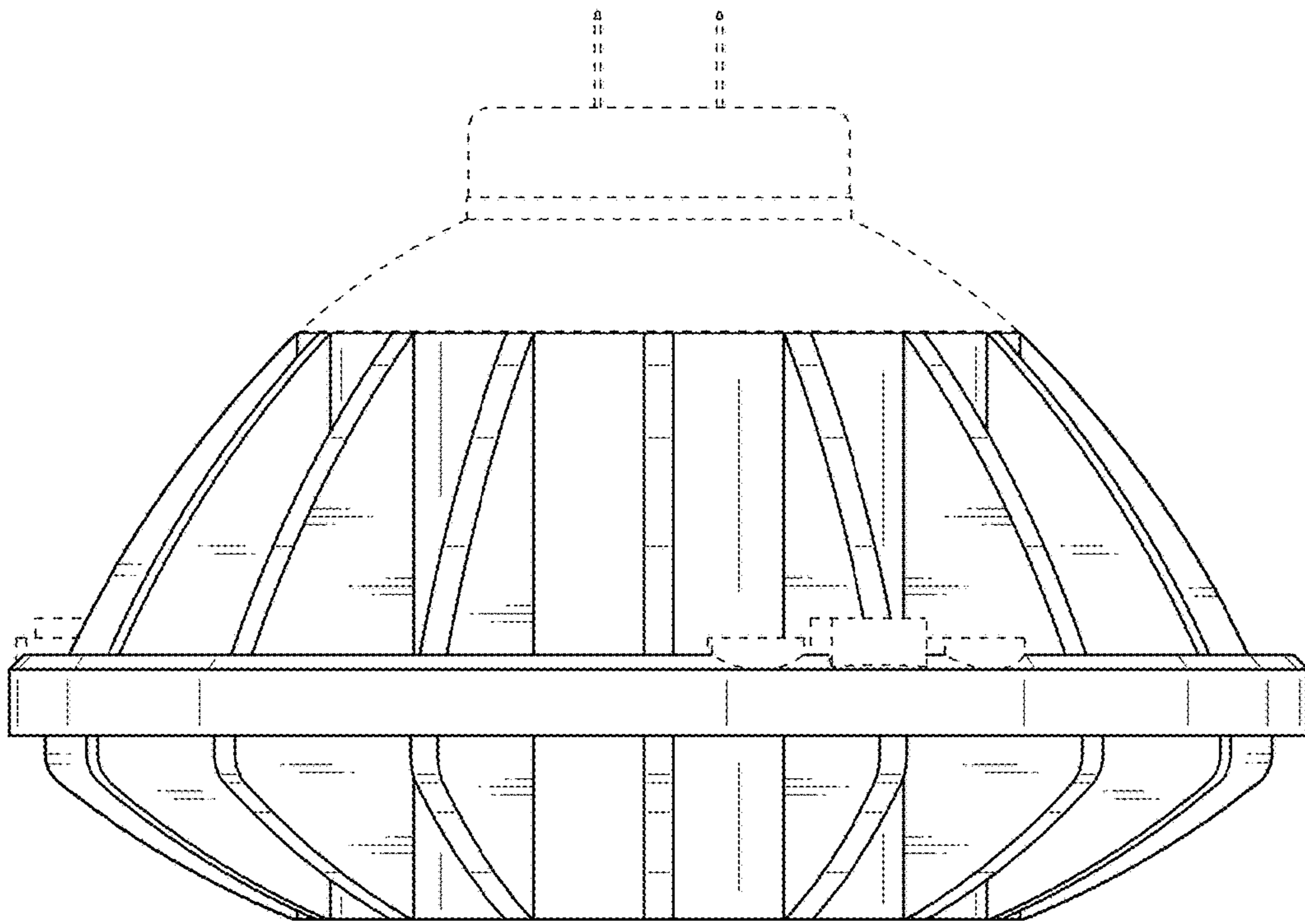


Fig. 7

