



US00D854196S

(12) **United States Design Patent**
Mishin

(10) **Patent No.:** **US D854,196 S**

(45) **Date of Patent:** **** Jul. 16, 2019**

(54) **LAMP**

(71) Applicant: **SORAA, INC.**, Fremont, CA (US)

(72) Inventor: **Artem Mishin**, Fremont, CA (US)

(73) Assignee: **SORAA, INC.**, Fremont, CA (US)

(**) Term: **15 Years**

(21) Appl. No.: **29/591,259**

(22) Filed: **Jan. 18, 2017**

(51) **LOC (11) Cl.** **26-04**

(52) **U.S. Cl.**
USPC **D26/2**

(58) **Field of Classification Search**
USPC D26/1-4
CPC H01R 5/00; H01R 13/46; H01R 13/514;
H01R 31/048; H01R 31/02; H01J 5/00;
H01J 5/16; H01J 15/00; H01J 5/48; H01J
5/50; H01J 19/54; F21V 5/00
See application file for complete search history.

(56) **References Cited**

U.S. PATENT DOCUMENTS

D610,274 S * 2/2010 Cho D26/2

D623,777 S * 9/2010 Moon D26/2
D631,569 S * 1/2011 Bobel D26/2
D664,274 S * 7/2012 de Visser D26/2

* cited by examiner

Primary Examiner — Marcus A Jackson

(74) *Attorney, Agent, or Firm* — Fisherbroyles LLP

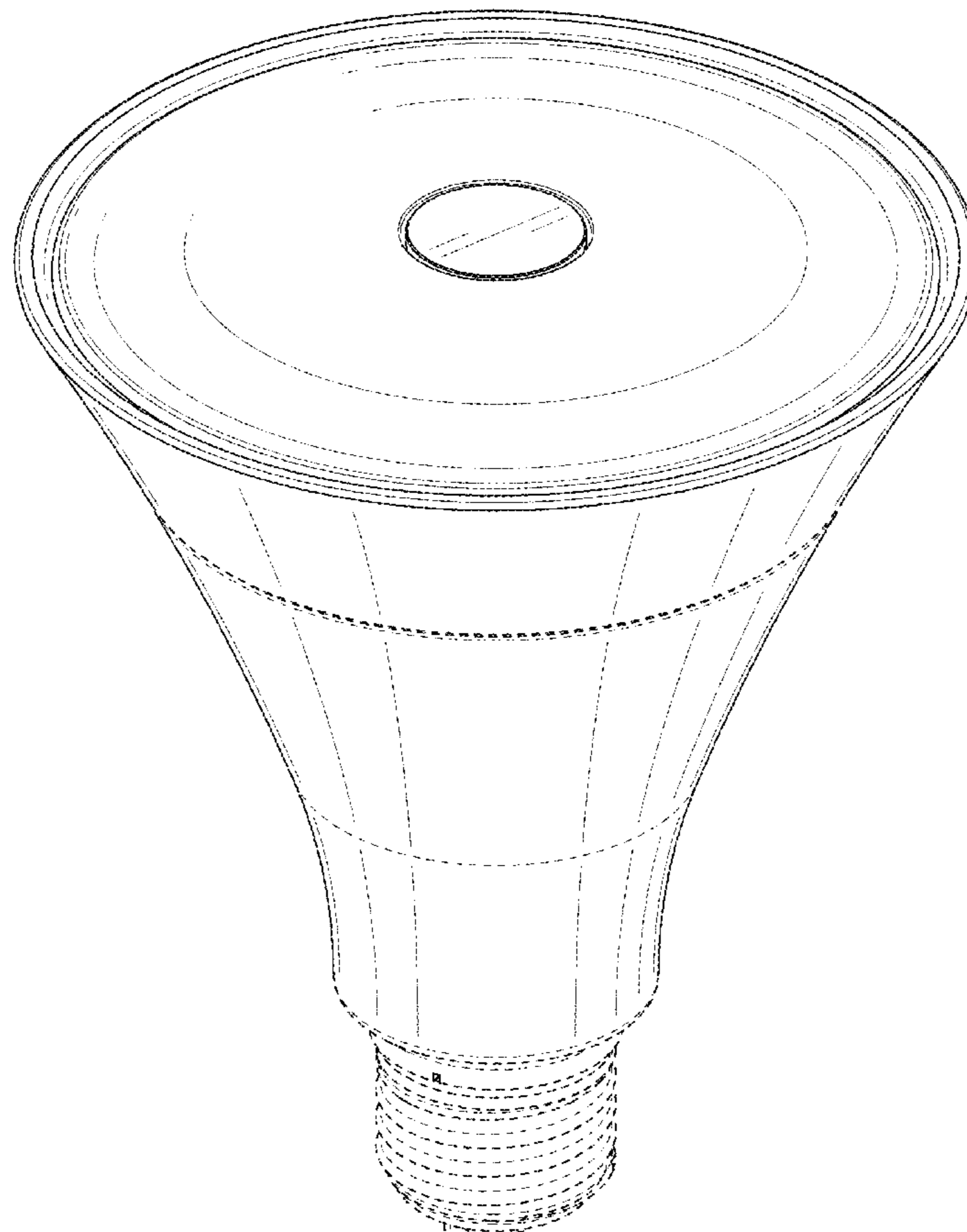
(57) **CLAIM**

The ornamental design for lamp, as shown and described.

DESCRIPTION

FIG. 1 is a perspective view of a lamp showing a first embodiment of our new design;
FIG. 2 is a top plan view thereof;
FIG. 3 is a side elevational view from the right and left sides thereof;
FIG. 4 is a side elevational view from the front and rear thereof;
FIG. 5 is a bottom plan view thereof;
FIG. 6 is a perspective view of a lamp with an intelligent module showing a third embodiment of our new design;
FIG. 7 is a side elevational view from the right and left sides with an intelligent module thereof; and,
FIG. 8 is a perspective view thereof.
The broken lines in the figures represent unclaimed subject matter and form no part of the claimed design.

1 Claim, 13 Drawing Sheets



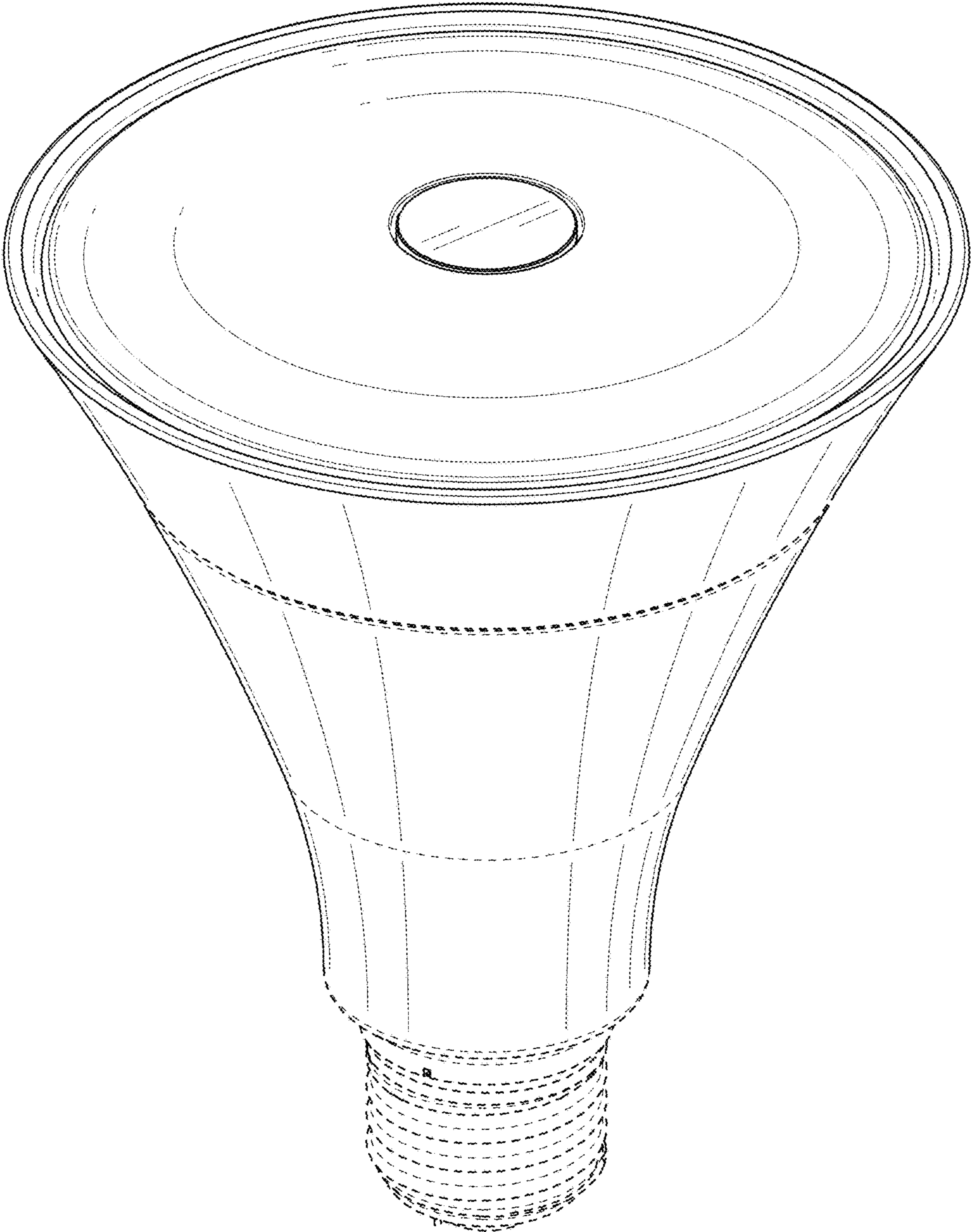


FIG. 1

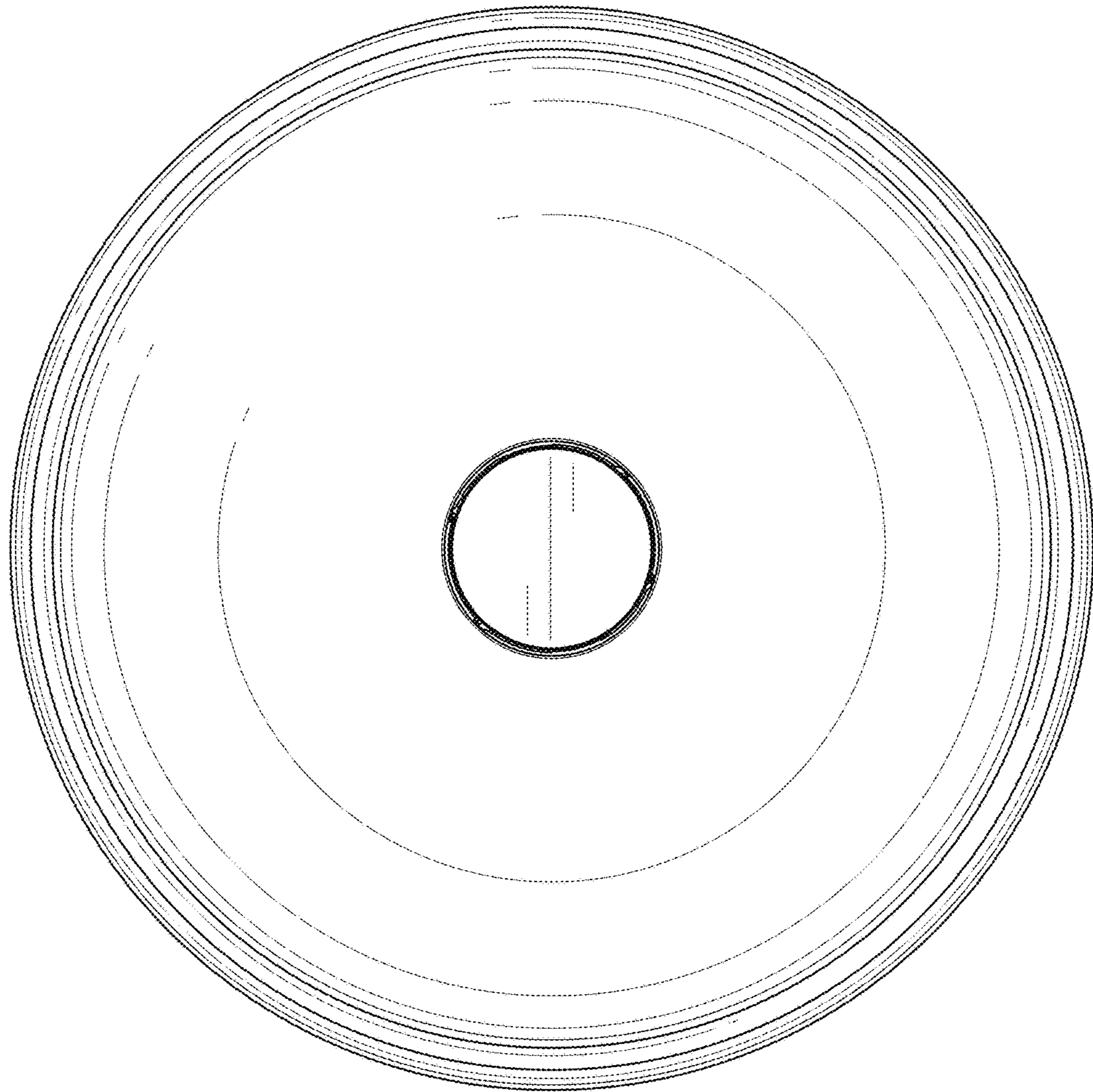


FIG. 2

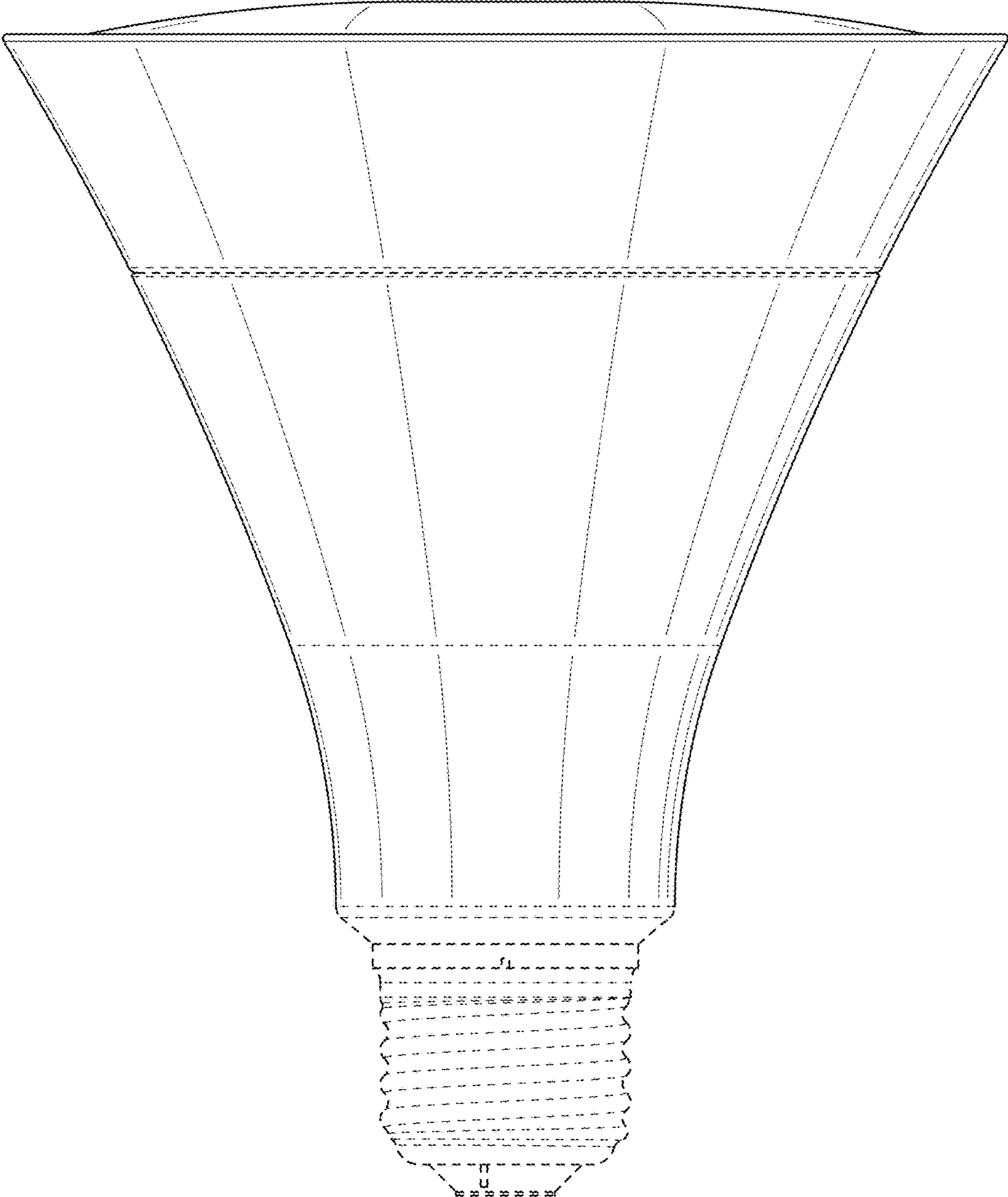


FIG. 3

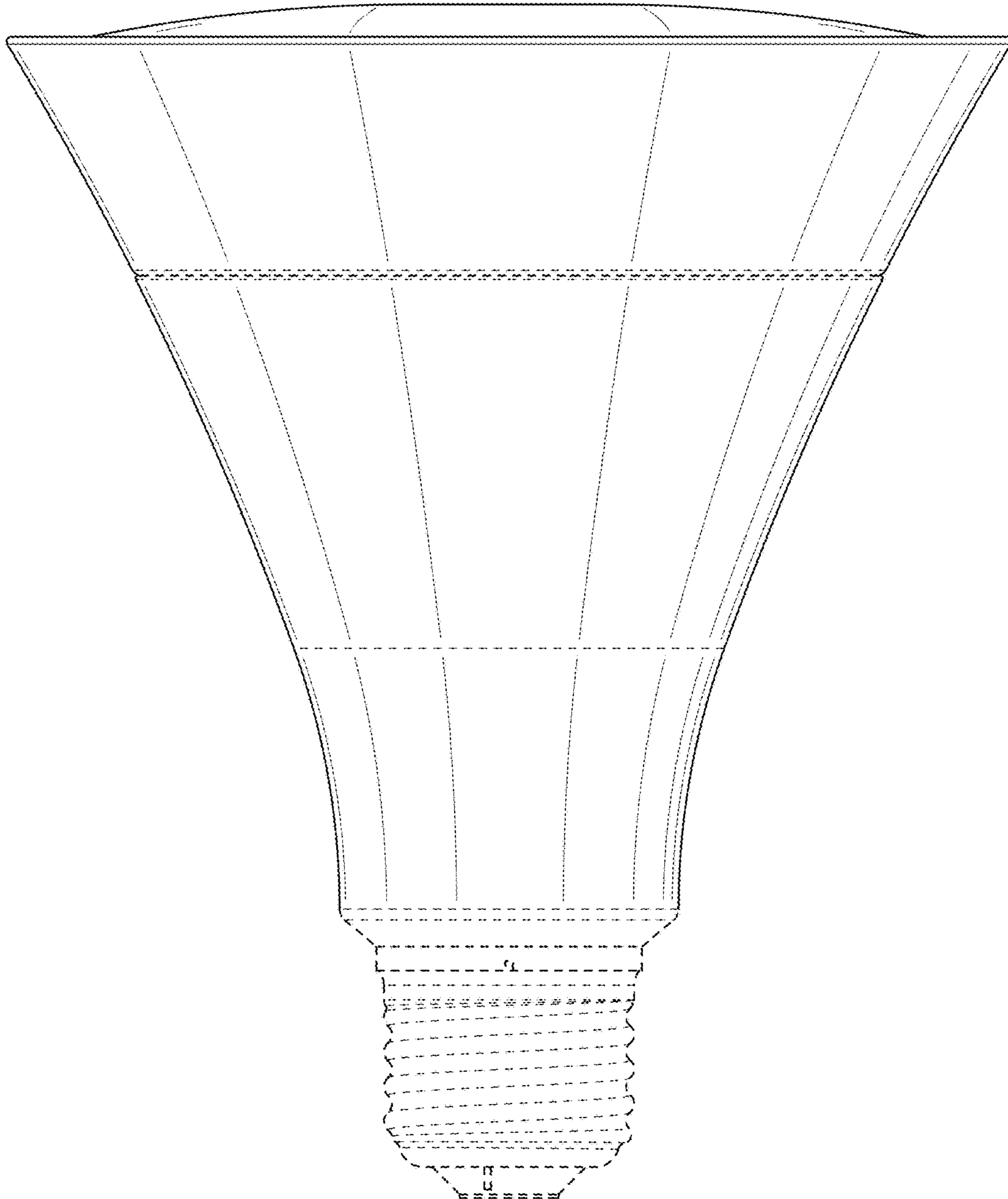


FIG. 4

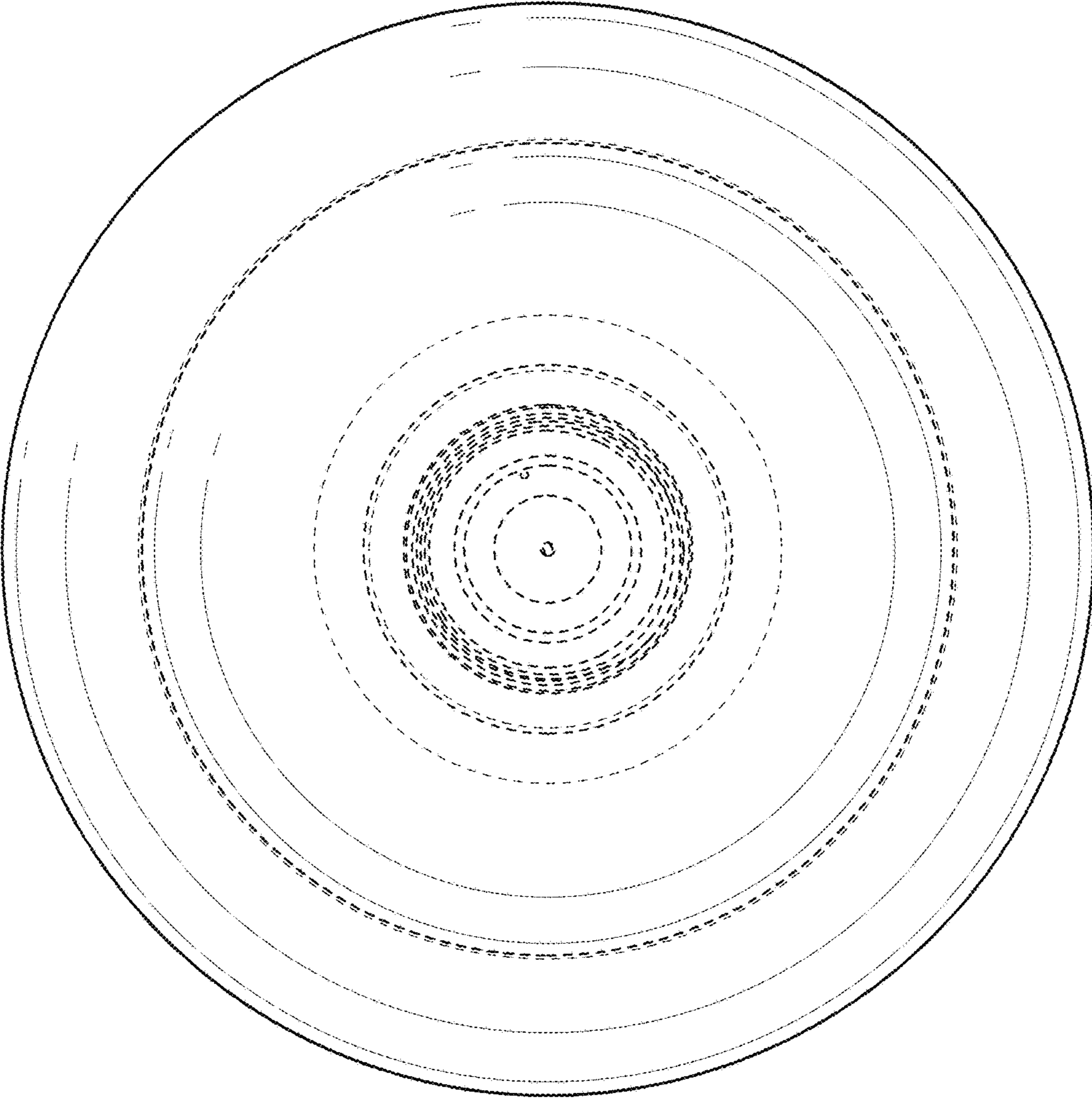


FIG. 5

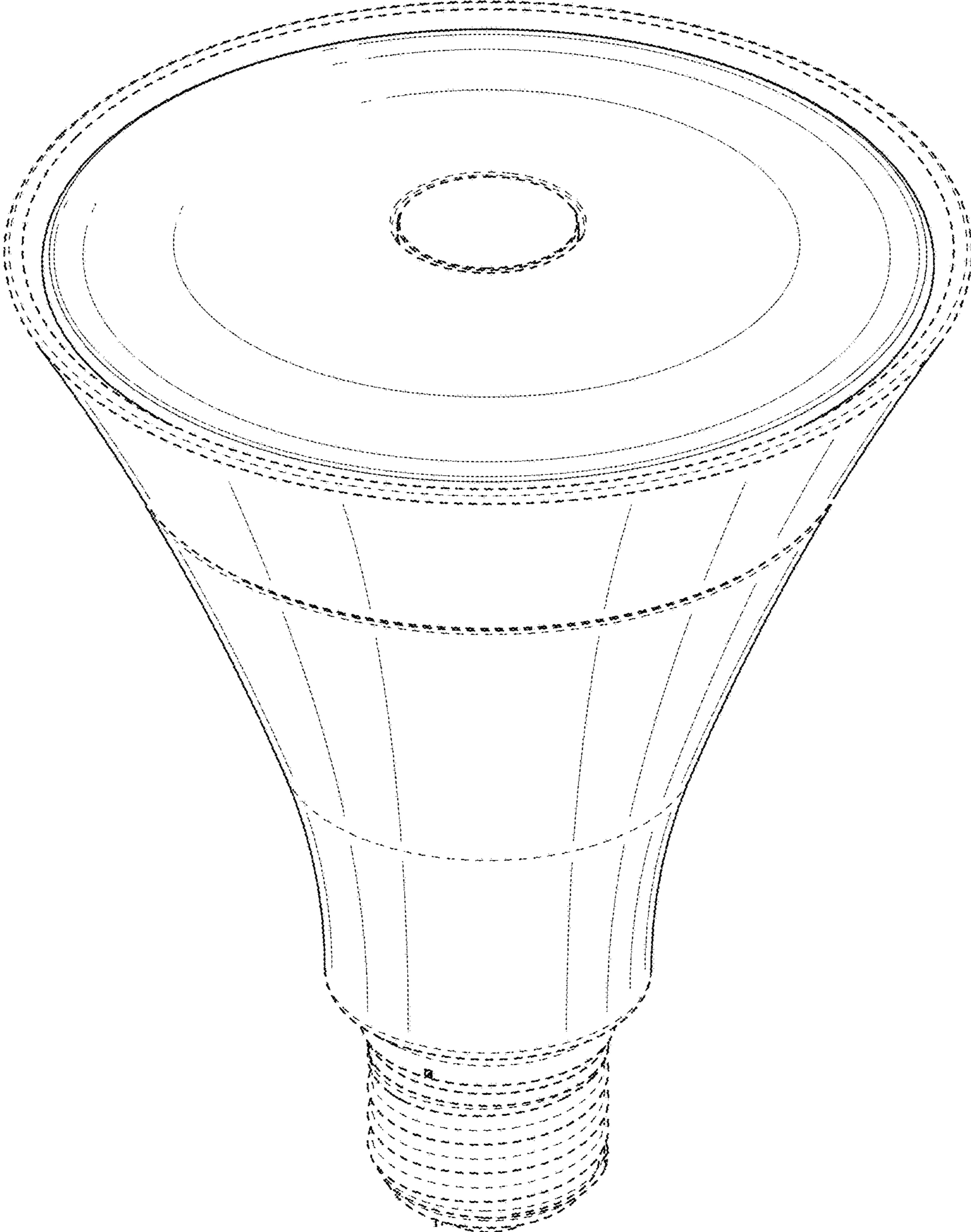


FIG. 6

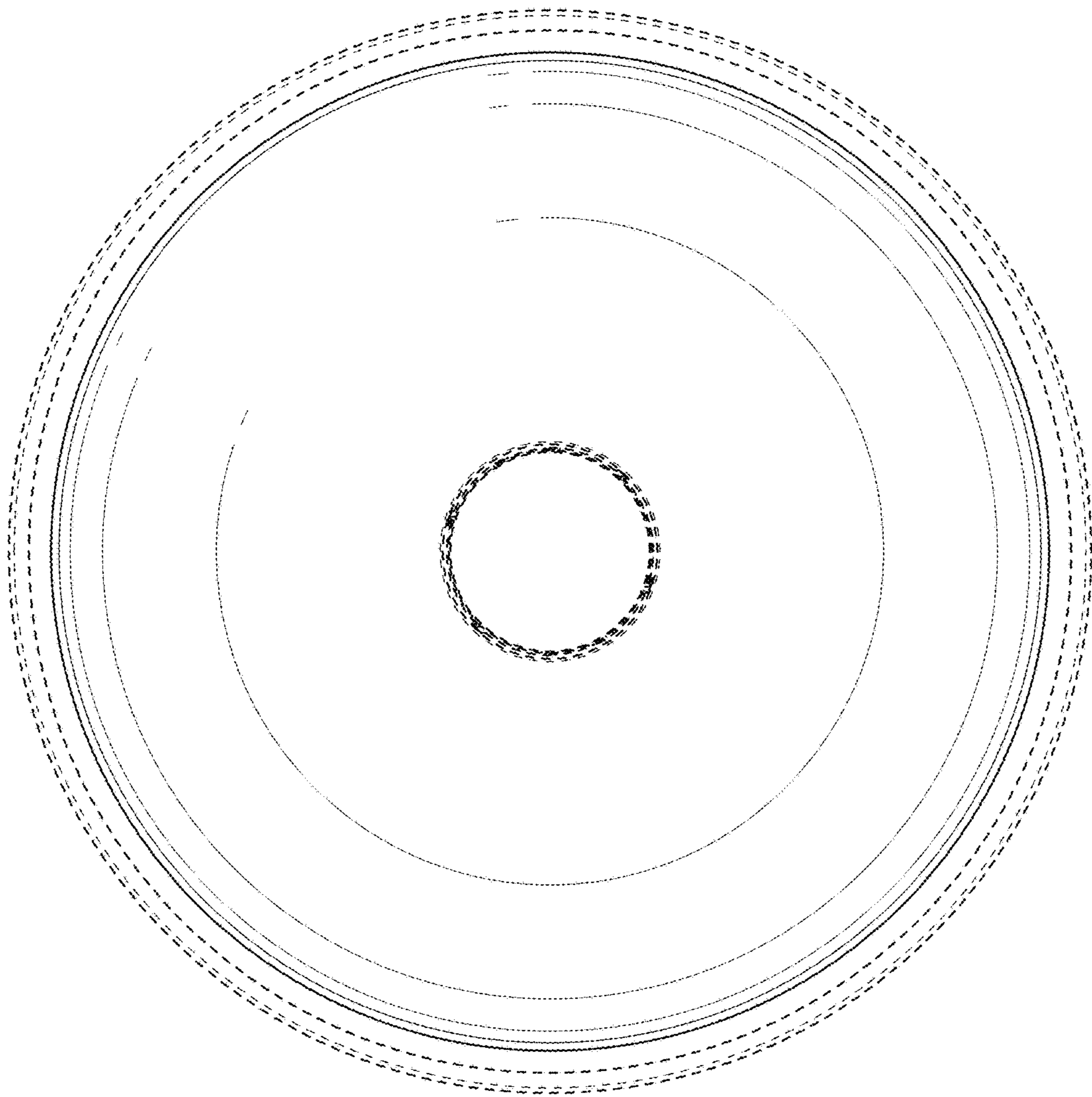


FIG. 7

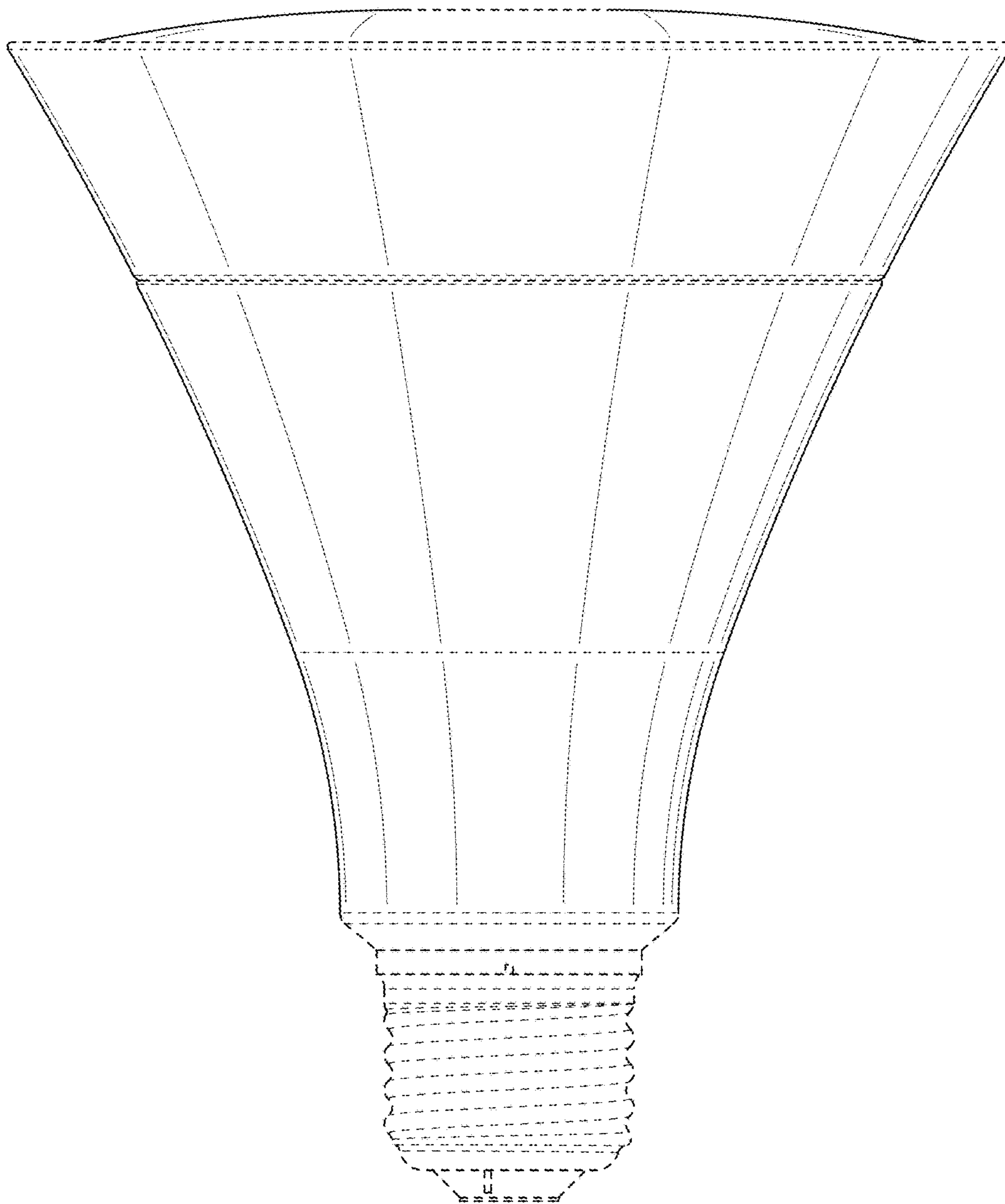


FIG. 8

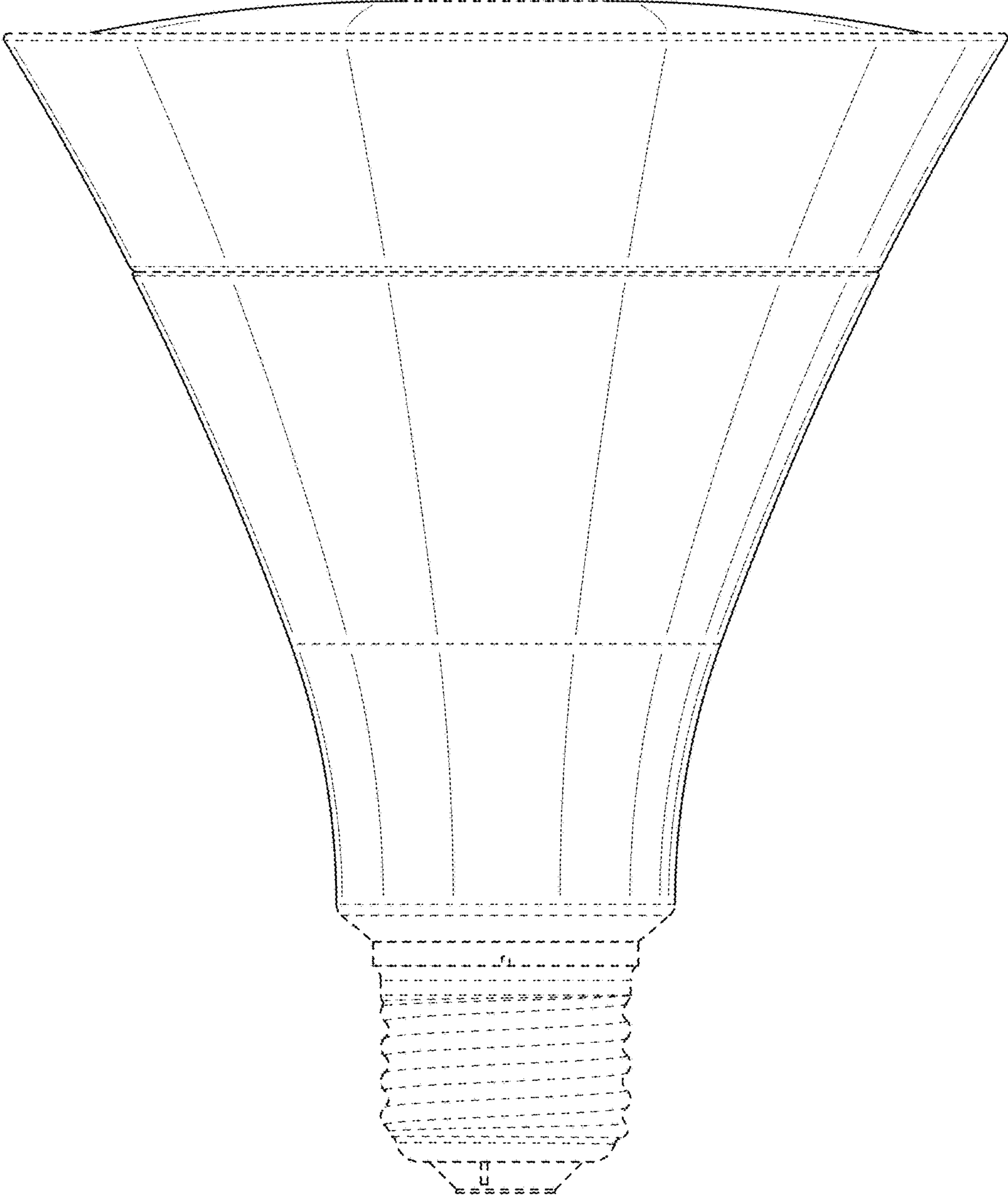


FIG. 9

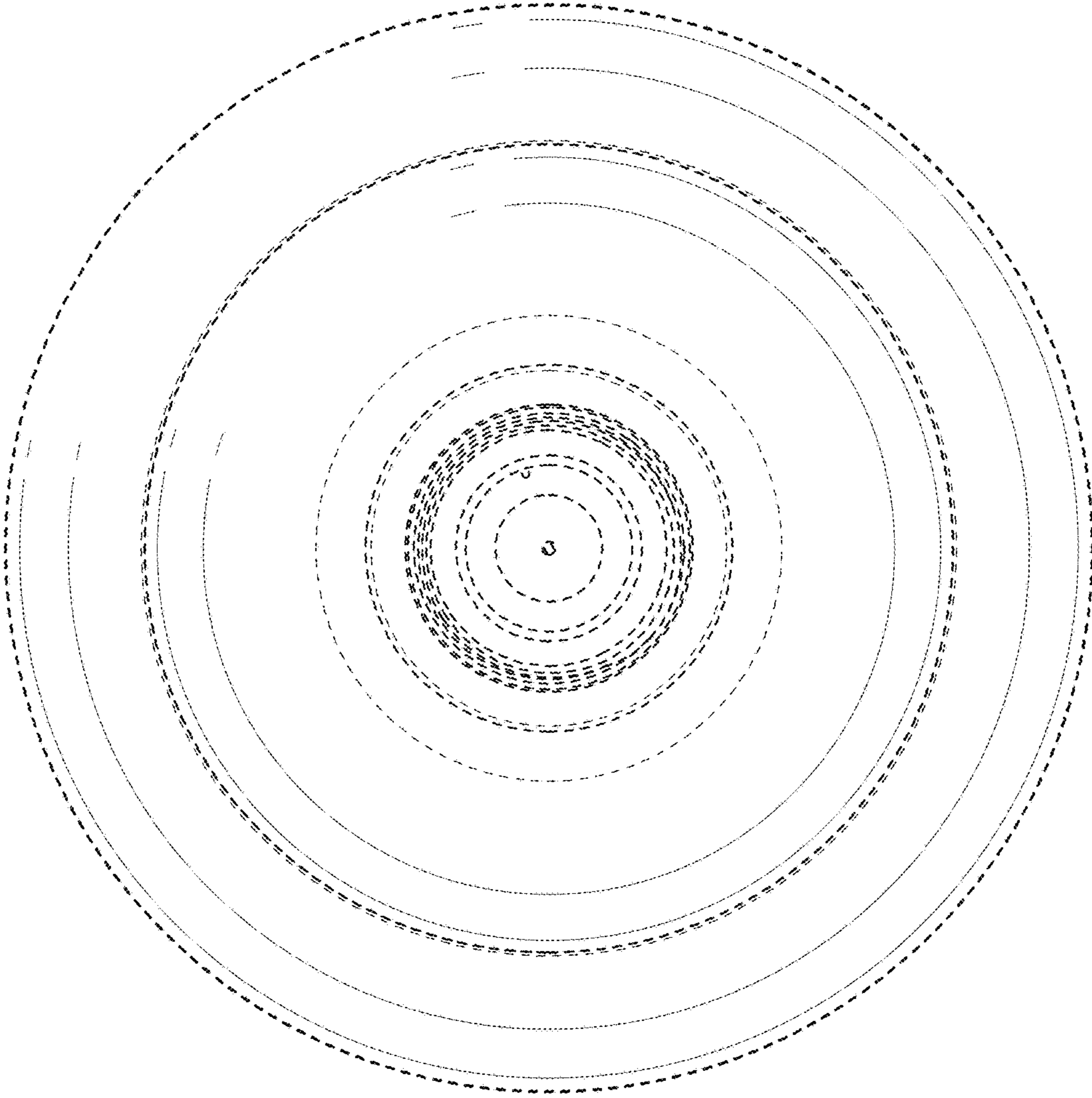


FIG. 10

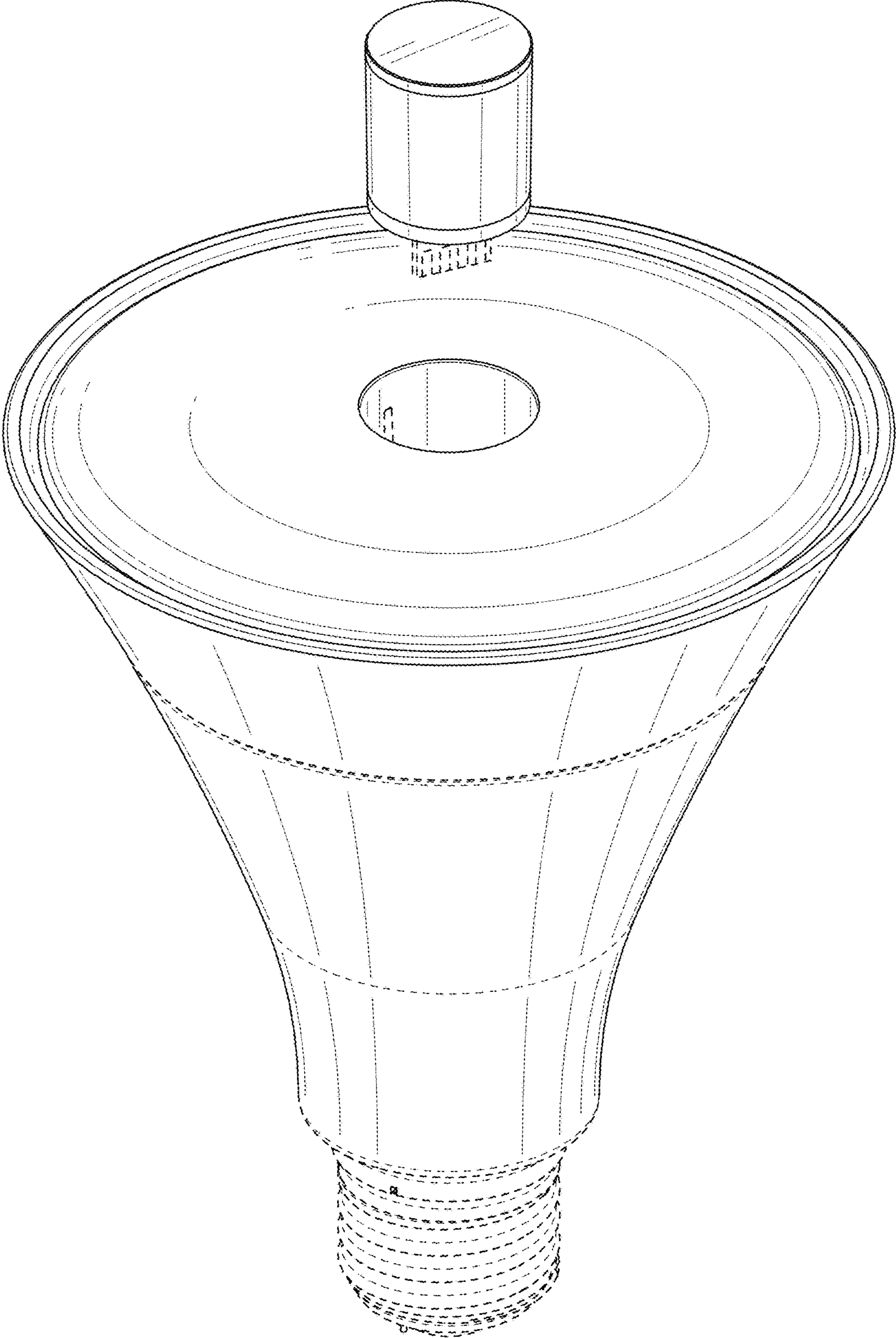


FIG. 11

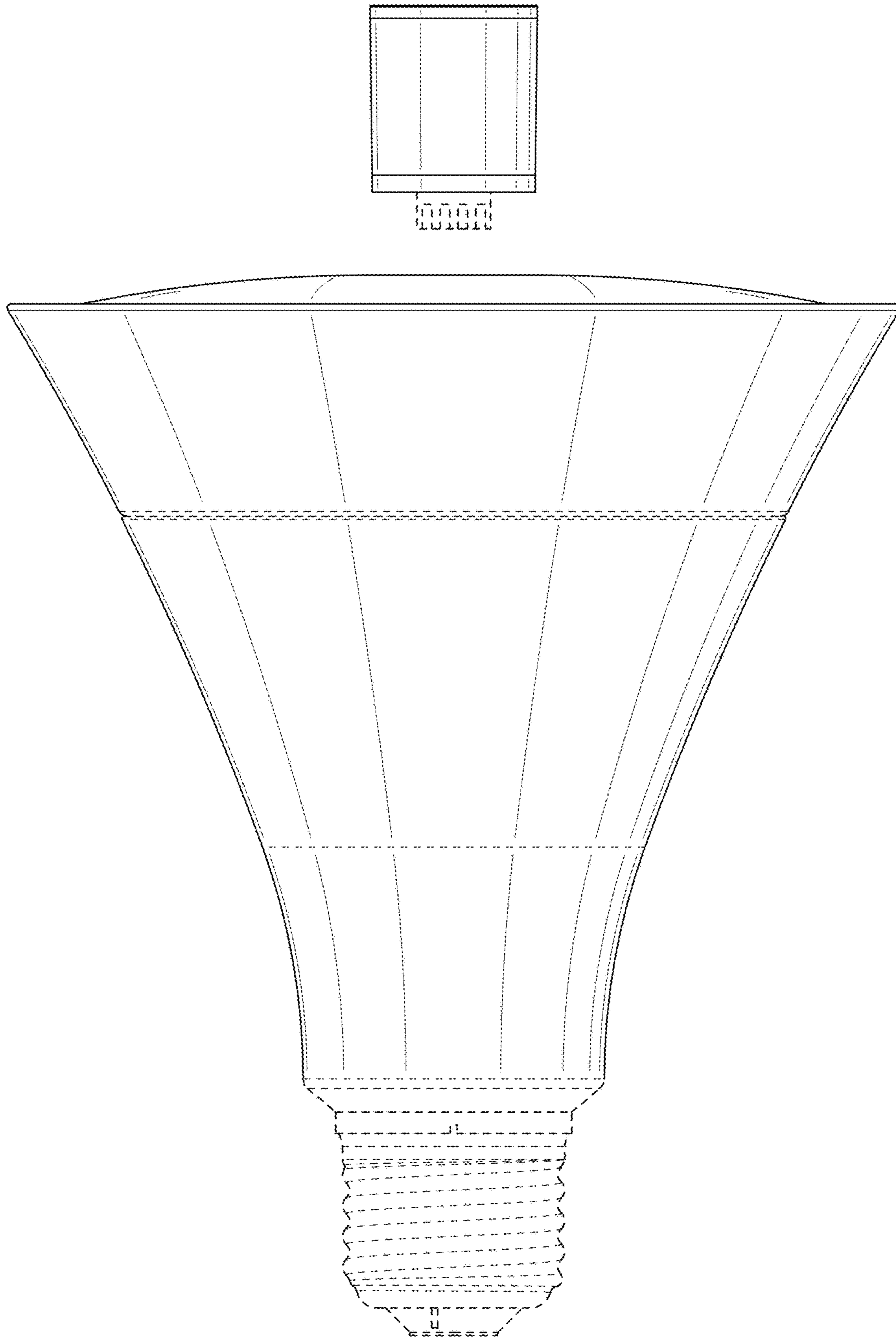


FIG. 12

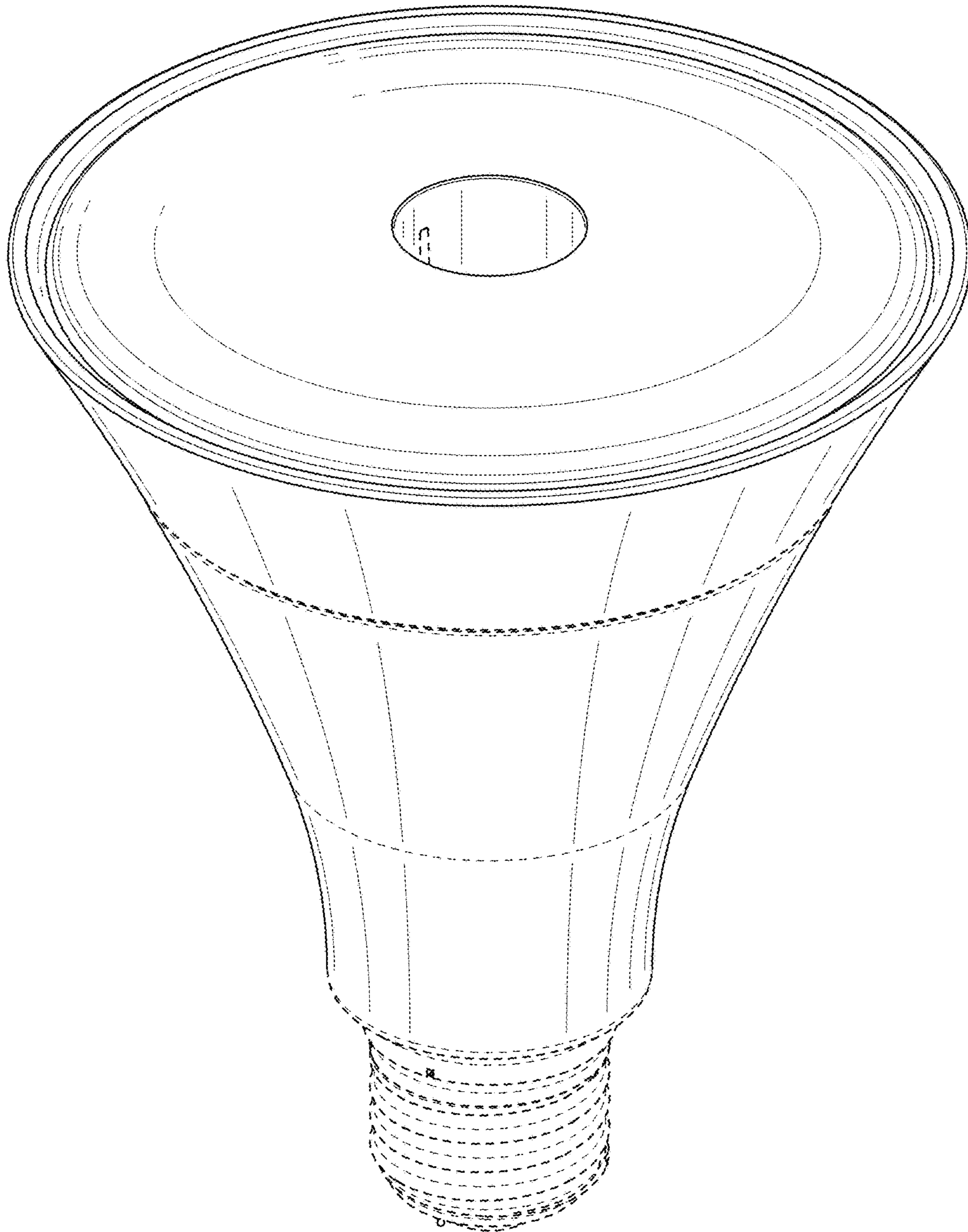


FIG. 13