

US00D854192S

(12) **United States Design Patent**  
**Rokvic**

(10) **Patent No.:** **US D854,192 S**

(45) **Date of Patent:** **\*\* Jul. 16, 2019**

(54) **BASE SHOE**

(71) Applicant: **Ilija Rokvic**, Independence, KY (US)

(72) Inventor: **Ilija Rokvic**, Independence, KY (US)

(\*\*) Term: **15 Years**

(21) Appl. No.: **29/596,195**

(22) Filed: **Mar. 6, 2017**

(51) **LOC (11) Cl.** ..... **25-01**

(52) **U.S. Cl.**  
USPC ..... **D25/124**

(58) **Field of Classification Search**

USPC ..... D25/119–126, 136, 164, 199; D8/349,  
D8/354, 376, 377, 380, 381, 382;  
D6/702, 705, 705.6, 709, 709.2, 712;  
D26/138

CPC ... E04F 11/18; E04F 11/1812; E04F 11/1814;  
E04F 11/1817; E04F 11/1834; E04F  
11/1851; E04F 2011/1819; E04F  
2011/1823; E04F 2011/1825; E04F  
2011/1831; E04F 19/02; E04F 19/022;  
E04F 19/024; E04F 19/026; E04F 19/028;  
E04F 19/04; E04F 19/0436; E04F  
19/0459; E04F 19/0463; E04F 19/0468;  
E04F 19/0481; E04F 19/0486; E04F  
19/049; E04F 19/0495; E04F 19/06; E04F  
19/061; E04F 19/062; E04F 19/063; E04F  
19/064; E04F 19/065; E04F 19/066; E04F  
19/067; E04F 19/068; E04C 3/00; E04C  
3/005; E04C 3/02; E04C 3/04; E04C  
2003/026

See application file for complete search history.

(56) **References Cited**

**U.S. PATENT DOCUMENTS**

4,598,524 A \* 7/1986 Cheng ..... E04F 11/1812  
248/534  
D419,858 S \* 2/2000 Bosgoed ..... D25/121

D443,198 S \* 6/2001 Snyder ..... D25/164  
6,367,209 B1 \* 4/2002 Powers, Jr. .... E04C 3/02  
52/204.2  
6,419,209 B1 \* 7/2002 Shepherd ..... E04F 11/1853  
256/24  
6,517,056 B2 \* 2/2003 Shepherd ..... E04F 11/1851  
256/24  
6,964,410 B1 \* 11/2005 Hansen ..... E04F 11/1812  
256/24  
D545,092 S \* 6/2007 Knorring, Jr. .... A47F 1/12  
D8/377  
D589,174 S \* 3/2009 Drew, II ..... D25/199  
7,559,536 B1 \* 7/2009 Hansen ..... E04F 11/1851  
256/25  
D599,193 S \* 9/2009 Meyer ..... D8/354  
(Continued)

*Primary Examiner* — Cynthia Ramirez

*Assistant Examiner* — L. Martinez

(74) *Attorney, Agent, or Firm* — Neal O. Willmann

(57) **CLAIM**

The ornamental design for a base shoe, as shown and described.

**DESCRIPTION**

FIG. 1 is a perspective view of a base shoe showing my new design in an environment of use;

FIG. 2 is another perspective view thereof;

FIG. 3 is a front elevation view thereof, the rear view being identical thereto;

FIG. 4 is a right side elevation view thereof, the left side elevation view being identical thereto;

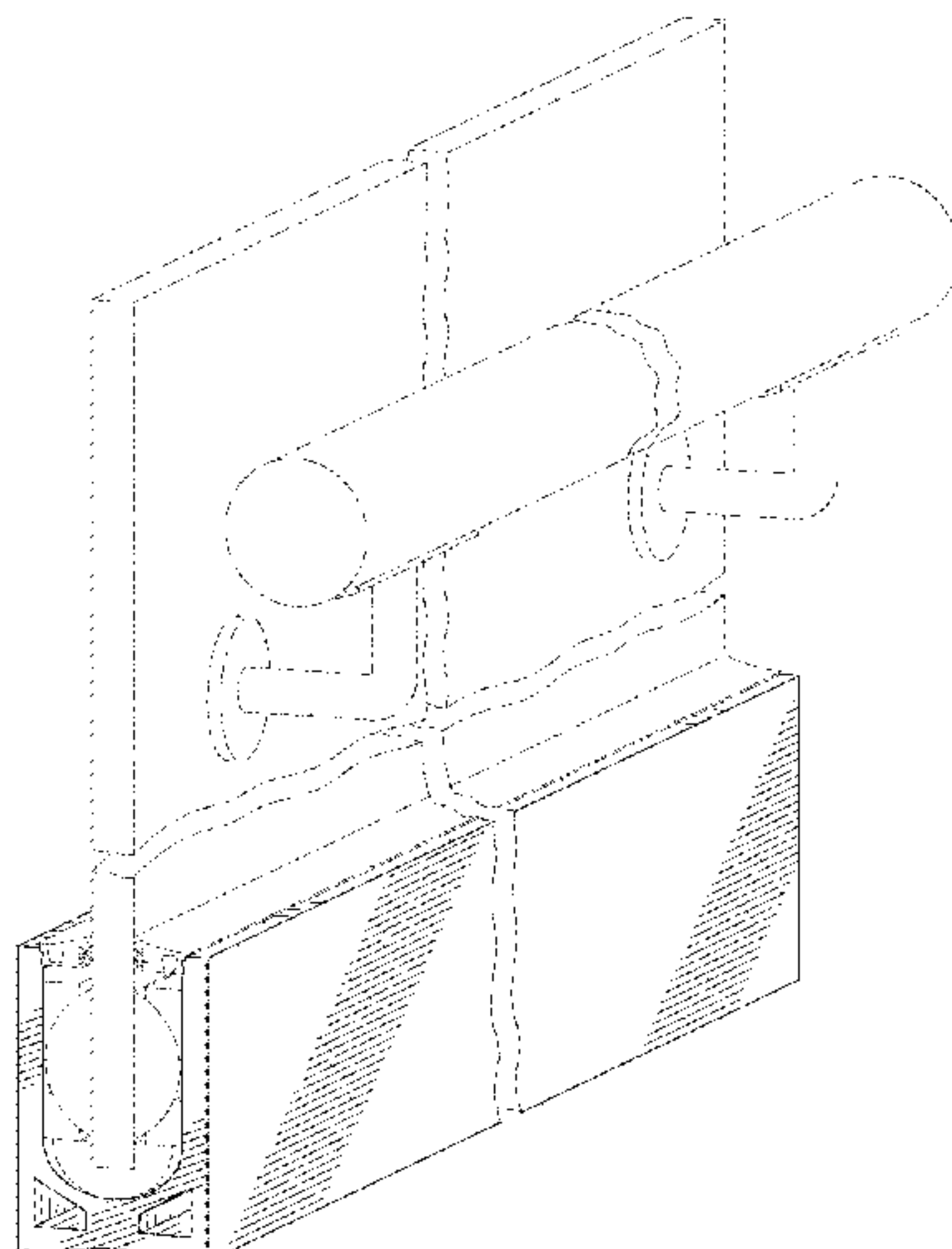
FIG. 5 is a top plan view thereof; and,

FIG. 6 is a bottom plan view thereof.

The dash-dot-dot lines in the drawings illustrate environmental subject matter only and form no part of the claimed design.

The base shoe is shown with a symbolic break in its length. The appearance of any portion of the base shoe between the break lines forms no part of the claimed design.

**1 Claim, 6 Drawing Sheets**



(56)

**References Cited**

U.S. PATENT DOCUMENTS

D616,568	S *	5/2010	Desrosiers .....	D25/122
7,730,682	B2 *	6/2010	Nash .....	E04F 11/1851
				52/127.8
8,181,405	B2 *	5/2012	Nash .....	E04F 11/1851
				52/127.8
D662,403	S *	6/2012	Page .....	D25/121
D696,814	S *	12/2013	Matus, Jr. ....	D26/138
D705,984	S *	5/2014	Klus .....	D26/138
8,776,477	B2 *	7/2014	Sprague .....	E04F 11/1851
				52/126.3
8,826,621	B2 *	9/2014	Noble .....	E04F 11/1851
				52/584.1
8,826,623	B2 *	9/2014	Armstrong .....	E04C 3/02
				52/656.9
D775,374	S *	12/2016	Walker .....	D25/126
D798,471	S *	9/2017	Tremaine .....	D25/119
9,752,327	B2 *	9/2017	Poradzisz .....	E04F 11/1812
9,777,484	B2 *	10/2017	Header .....	E04F 11/1853
9,816,276	B2 *	11/2017	Noble .....	E04F 11/1834
D818,187	S *	5/2018	Trzesniowski .....	D26/138
10,030,393	B2 *	7/2018	Spence .....	E04F 11/1812

\* cited by examiner

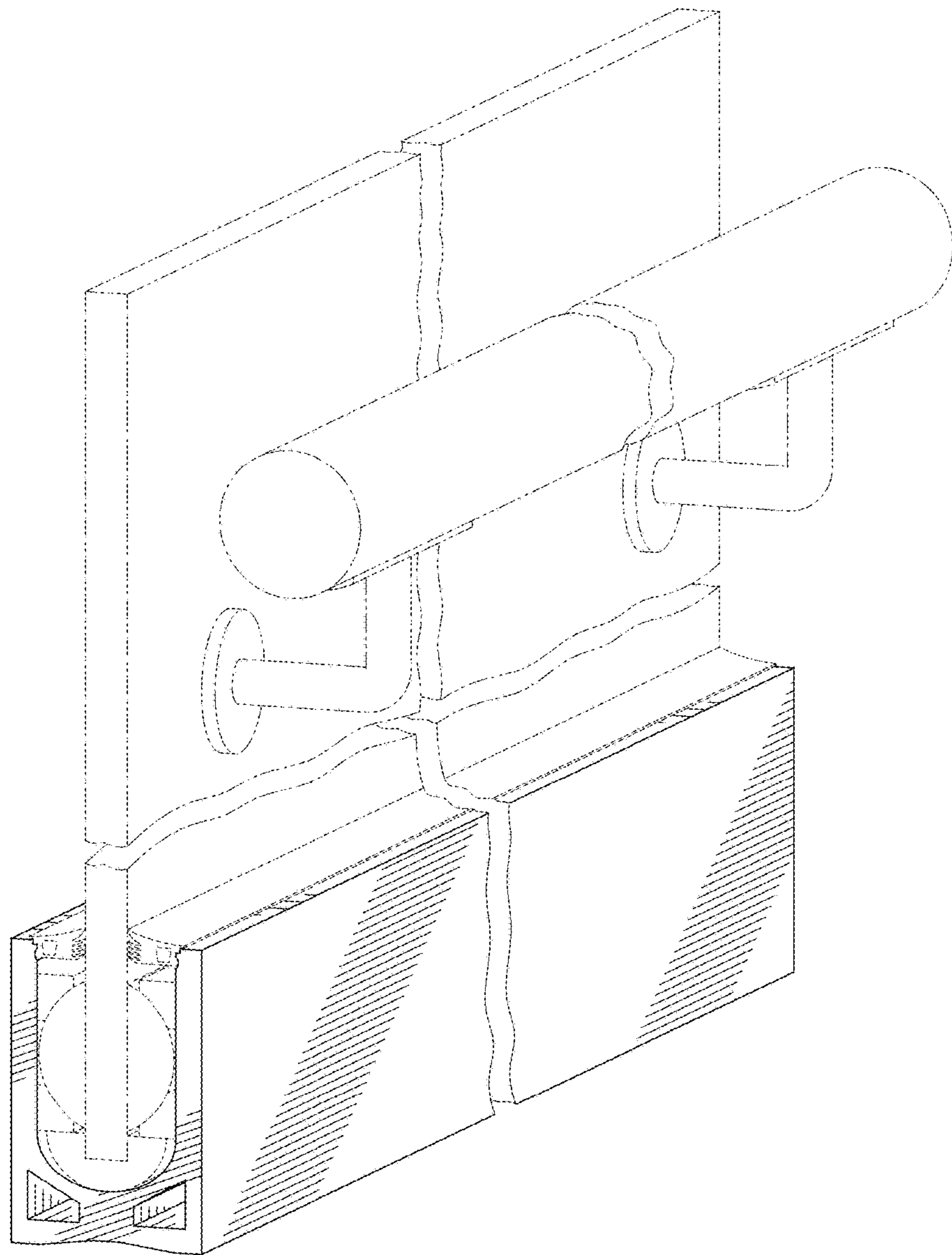


Fig. 1

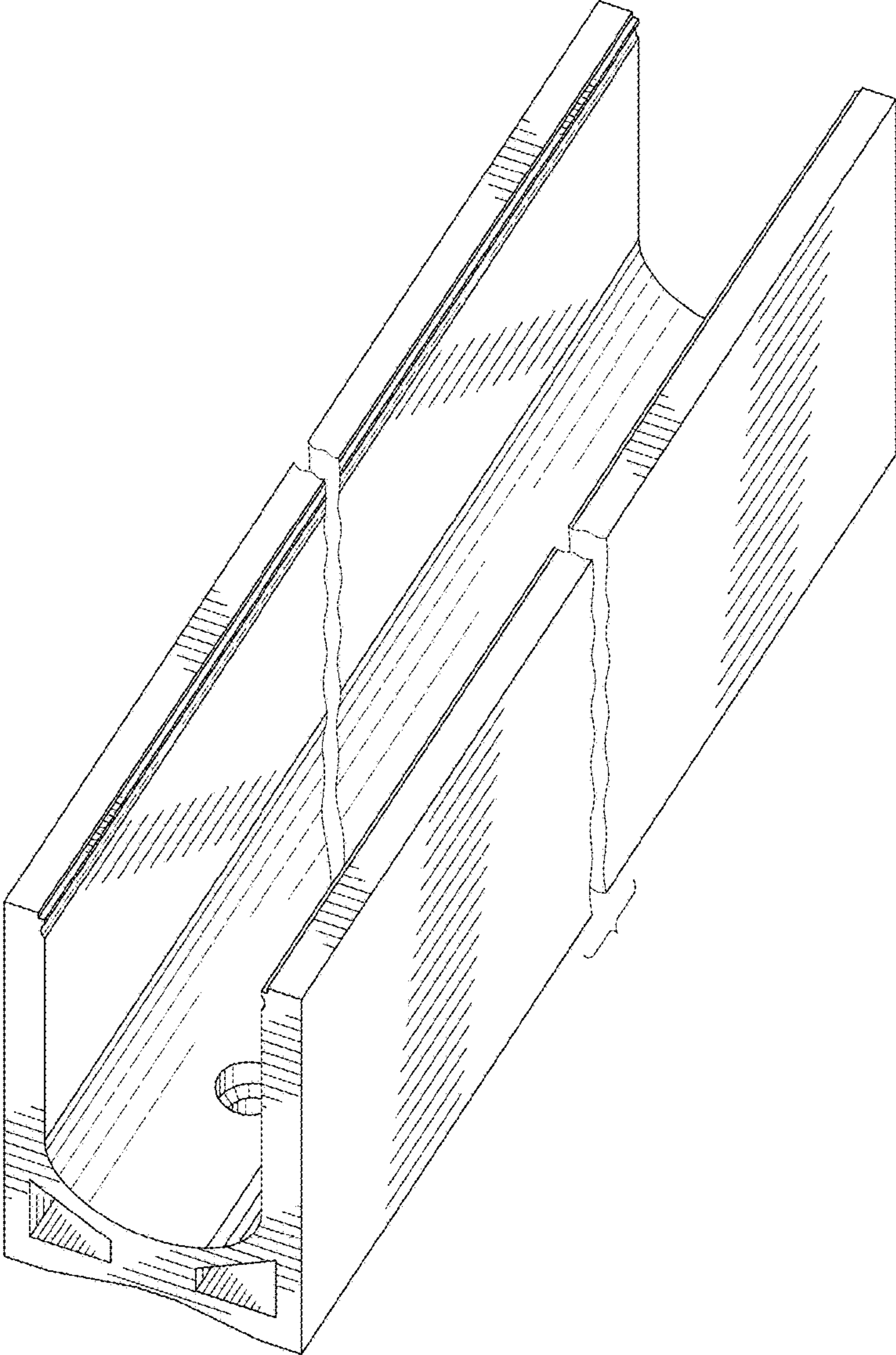


Fig.2

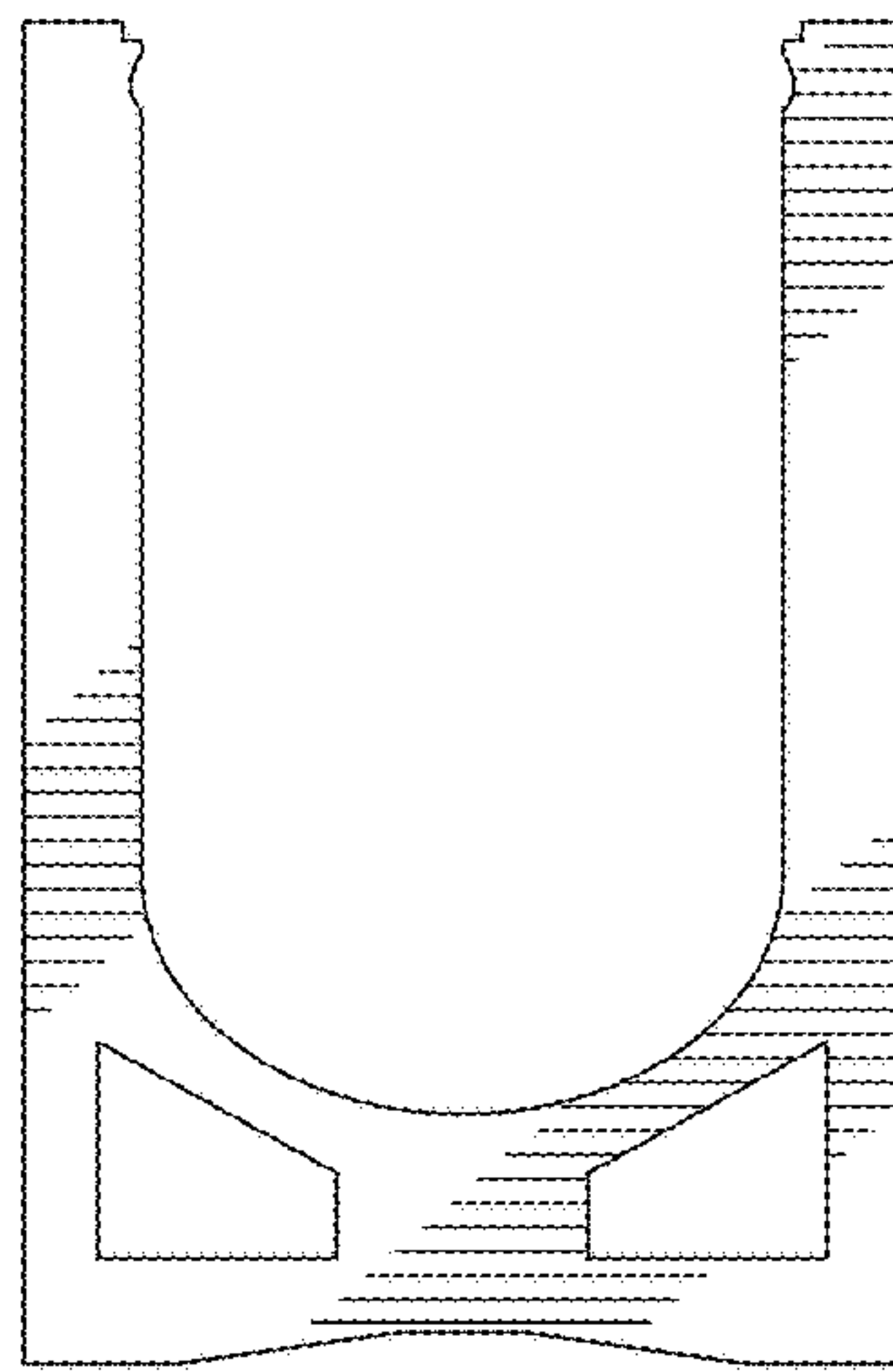


Fig.3



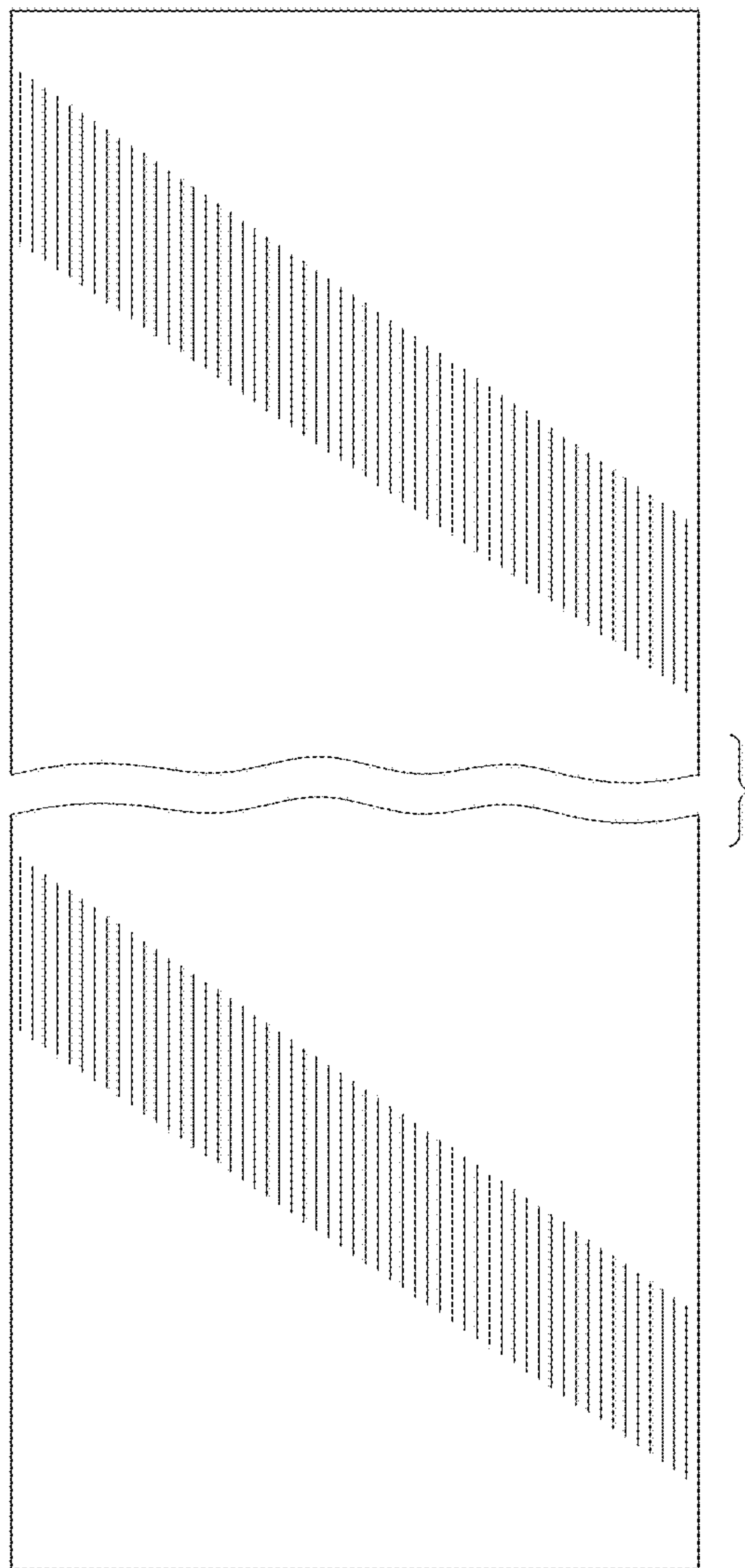


Fig.4

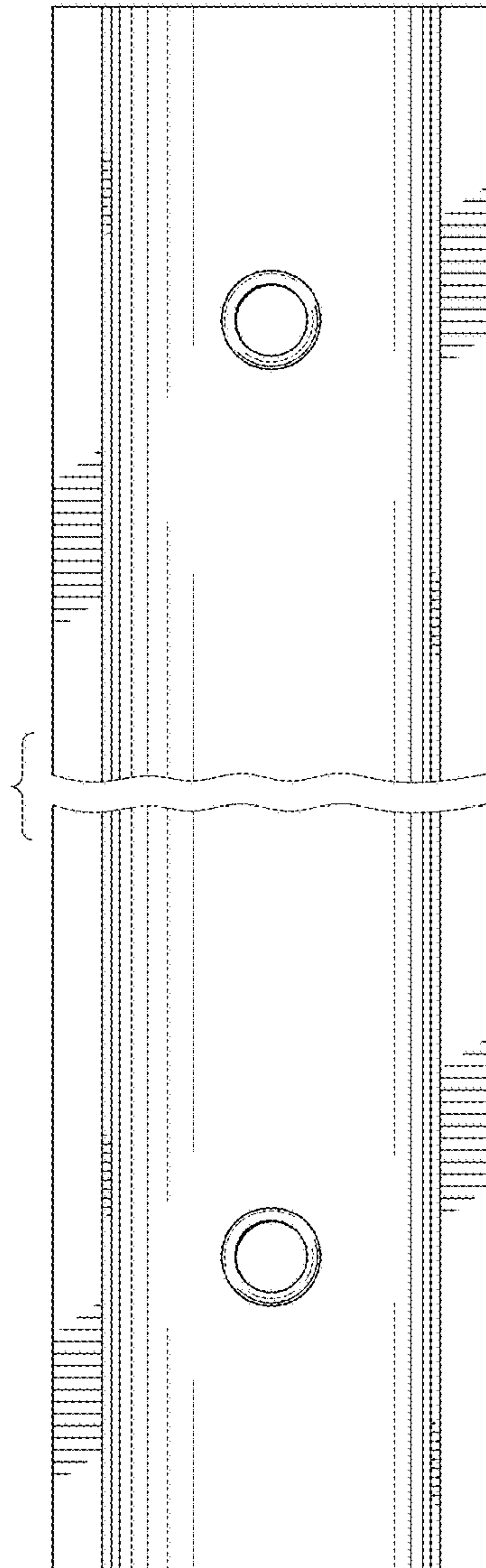


Fig.5

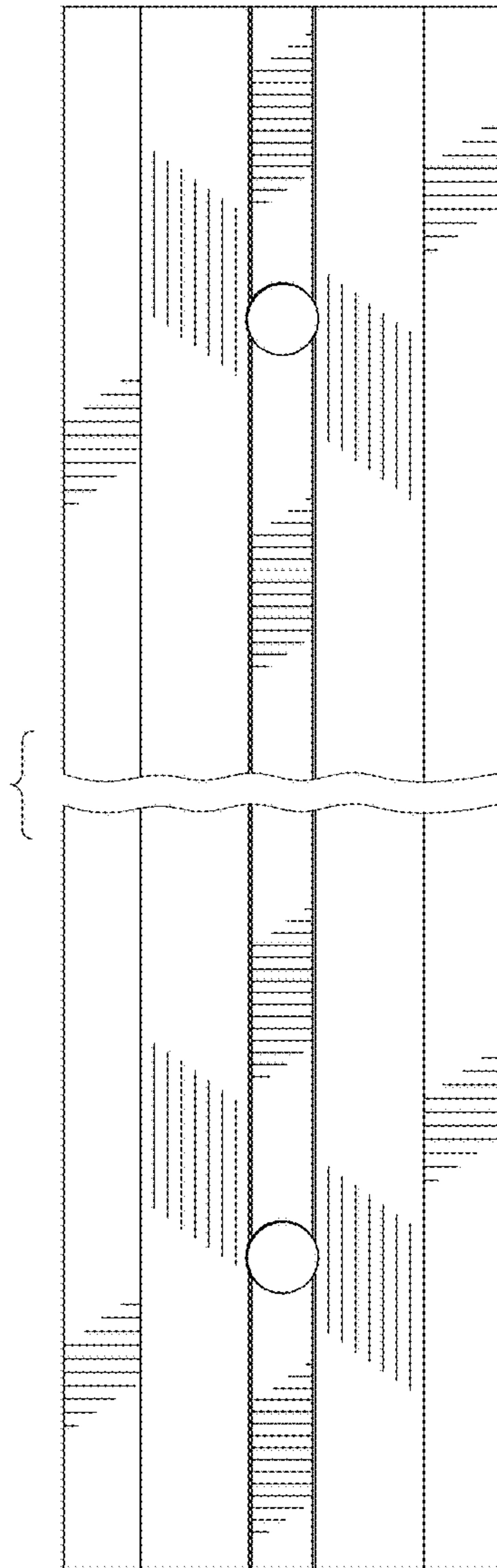


Fig.6