



US00D854191S

(12) **United States Design Patent** (10) **Patent No.:** **US D854,191 S**  
**Sorensen** (45) **Date of Patent:** **\*\* Jul. 16, 2019**

(54) **CONTAINER FOR ACOUSTICAL DROP CEILING GRID MEMBERS**

(71) Applicant: **Rick R. Sorensen**, Midvale, UT (US)

(72) Inventor: **Rick R. Sorensen**, Midvale, UT (US)

(\*\*) Term: **15 Years**

(21) Appl. No.: **29/579,842**

(22) Filed: **Oct. 4, 2016**

(51) **LOC (11) Cl.** ..... **25-04**

(52) **U.S. Cl.**  
USPC ..... **D25/68; D8/373**

(58) **Field of Classification Search**  
USPC ..... D22/199; D29/101.1; D34/33; D8/16,  
D8/19, 354, 355, 372, 367, 376, 349, 363,  
(Continued)

(56) **References Cited**

**U.S. PATENT DOCUMENTS**

169,270 A \* 10/1875 Kelly ..... E04G 5/00  
182/179.1  
D251,018 S \* 2/1979 Lockwood ..... D25/68  
(Continued)

*Primary Examiner* — Eliza Z Bennett-Hattan

(74) *Attorney, Agent, or Firm* — Workman Nydegger

(57) **CLAIM**

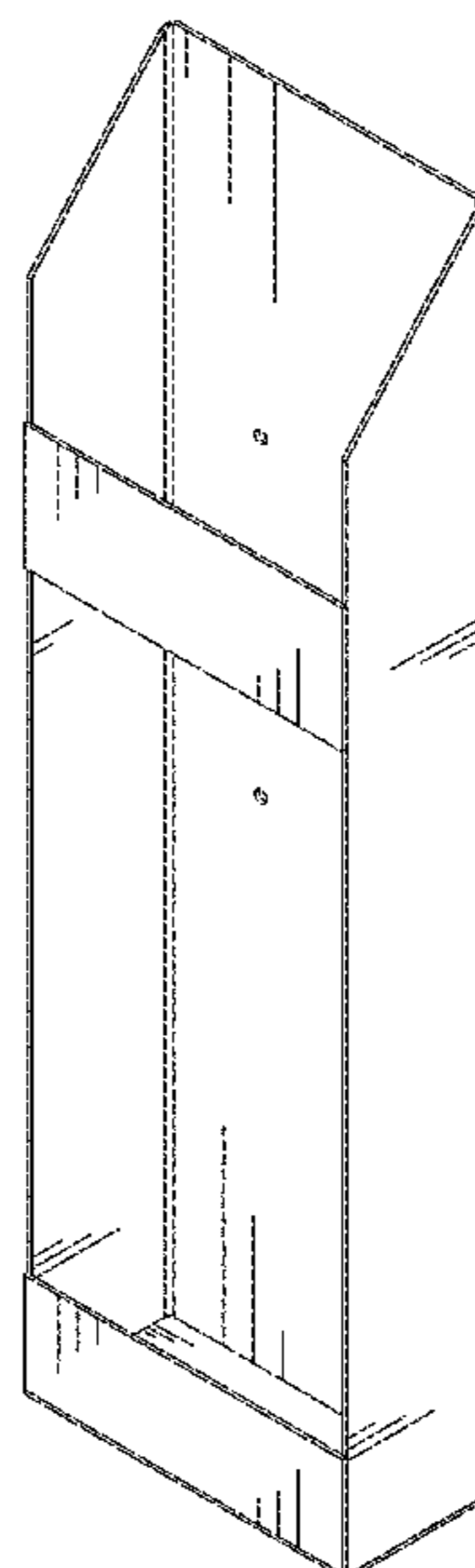
The ornamental design for a container for acoustical drop ceiling grid members, as shown and described.

**DESCRIPTION**

FIG. 1 is front perspective view of a container for acoustical drop ceiling grid members according the first embodiment;

FIG. 2 is a rear perspective view of the container for acoustical drop ceiling grid members as shown in FIG. 1; FIG. 3 is a front view of the container for acoustical drop ceiling grid members as shown in FIG. 1; FIG. 4 is a rear view of the container for acoustical drop ceiling grid members as shown in FIG. 1; FIG. 5 is a first side view of the container for acoustical drop ceiling grid members as shown in FIG. 1; FIG. 6 is a second, opposite side view of the container for acoustical drop ceiling grid members as shown in FIG. 1; FIG. 7 is a top plan view of the container for acoustical drop ceiling grid members as shown in FIG. 1; FIG. 8 is a bottom view of the container for acoustical drop ceiling grid members as shown in FIG. 1; FIG. 9 is front perspective view of a second container for acoustical drop ceiling grid members according to the present invention; FIG. 10 is a rear perspective view of the container for acoustical drop ceiling grid members as shown in FIG. 9; FIG. 11 is a front view of the container for acoustical drop ceiling grid members as shown in FIG. 9; FIG. 12 is a rear view of the container for acoustical drop ceiling grid members as shown in FIG. 9; FIG. 13 is a first side view of the container for acoustical drop ceiling grid members as shown in FIG. 9; FIG. 14 is a second, opposite side view of the container for acoustical drop ceiling grid members as shown in FIG. 9; FIG. 15 is a top plan view of the container for acoustical drop ceiling grid members as shown in FIG. 9; FIG. 16 is a bottom view of the container for acoustical drop ceiling grid members as shown in FIGS. 9; and, FIG. 17 is a perspective view showing a user on a scaffolding, using the container for acoustical drop ceiling grid members as shown in FIG. 1 to hold grid members for an acoustical drop ceiling.  
Any broken lines shown are directed to environmental structure only. Such broken lines form no part of the claimed design.

**1 Claim, 9 Drawing Sheets**



(58) **Field of Classification Search**

USPC ..... D8/370, 371, 382, 373, 44, 18; D6/323,  
D6/550, 513, 512; D32/53, 54;  
D24/128, 184; D14/376, 452; D25/68,  
D25/134, 62

CPC ..... E04G 5/00; E04G 5/004

See application file for complete search history.

(56) **References Cited**

U.S. PATENT DOCUMENTS

D253,428 S \* 11/1979 Hildebrandt ..... D25/68  
D256,730 S \* 9/1980 Hester ..... D25/68  
D386,337 S \* 11/1997 Zissu ..... D6/512  
D418,612 S \* 1/2000 Deutsch ..... D25/68  
D700,361 S \* 2/2014 Green ..... D25/68  
D753,319 S \* 4/2016 Constable ..... D25/68  
D808,042 S \* 1/2018 Lanzafame ..... D25/68  
D815,305 S \* 4/2018 Alvarado ..... D25/68  
D818,610 S \* 5/2018 Lanzafame ..... D25/68  
D838,387 S \* 1/2019 DeMore ..... D25/68  
2017/0260810 A1 \* 9/2017 Beaulieu ..... E04G 1/15

\* cited by examiner

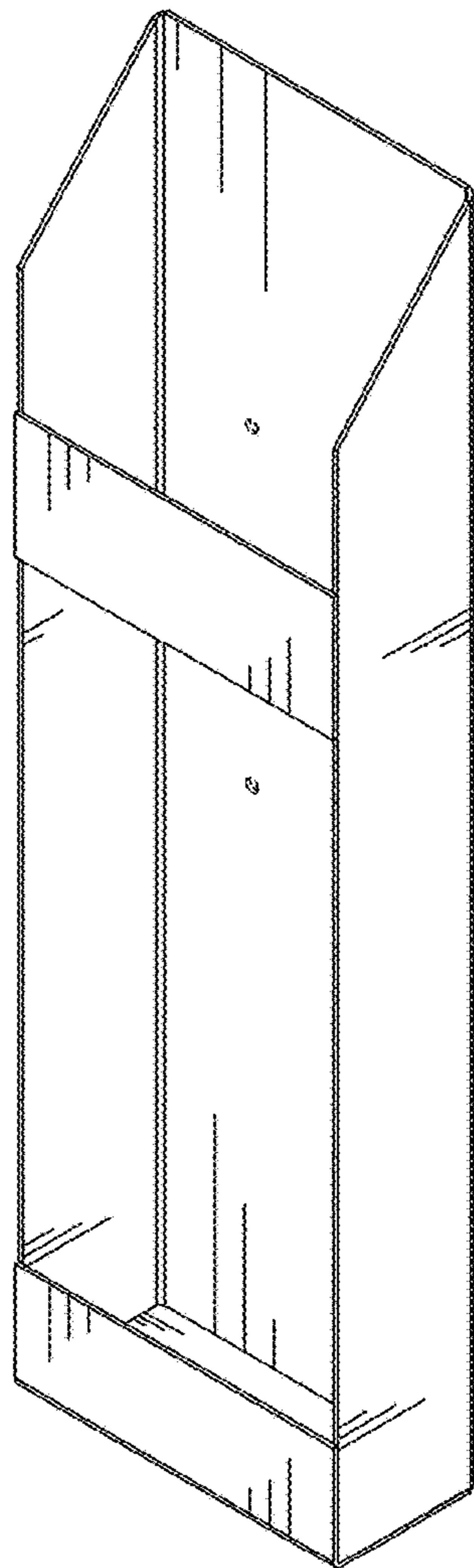


FIG. 1

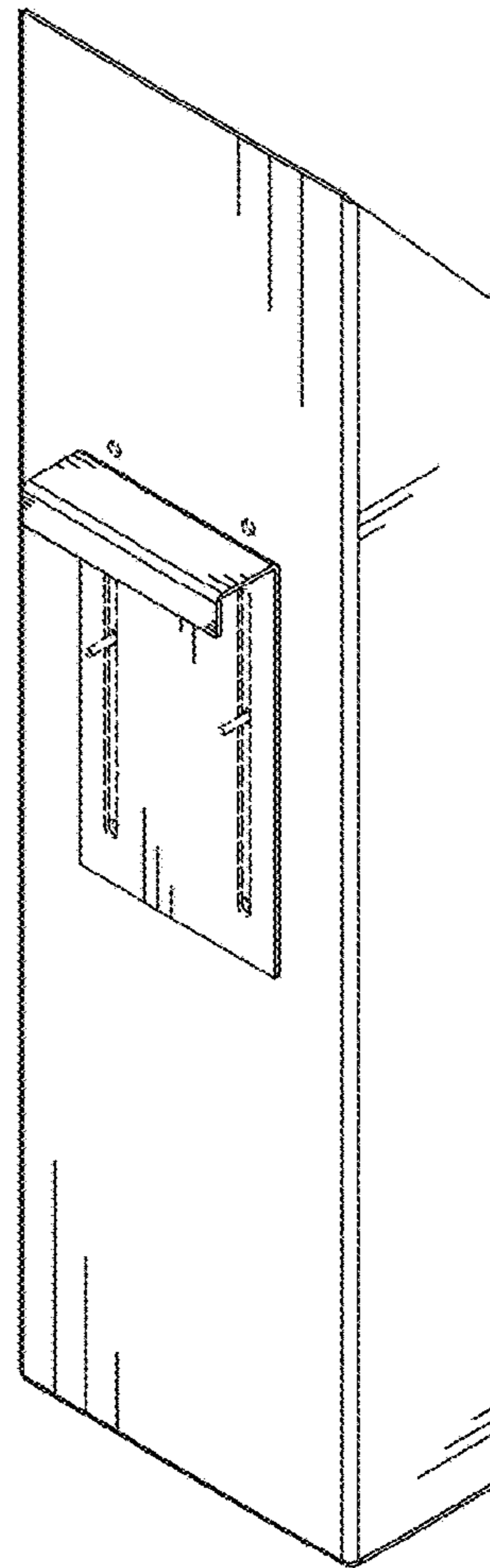


FIG. 2

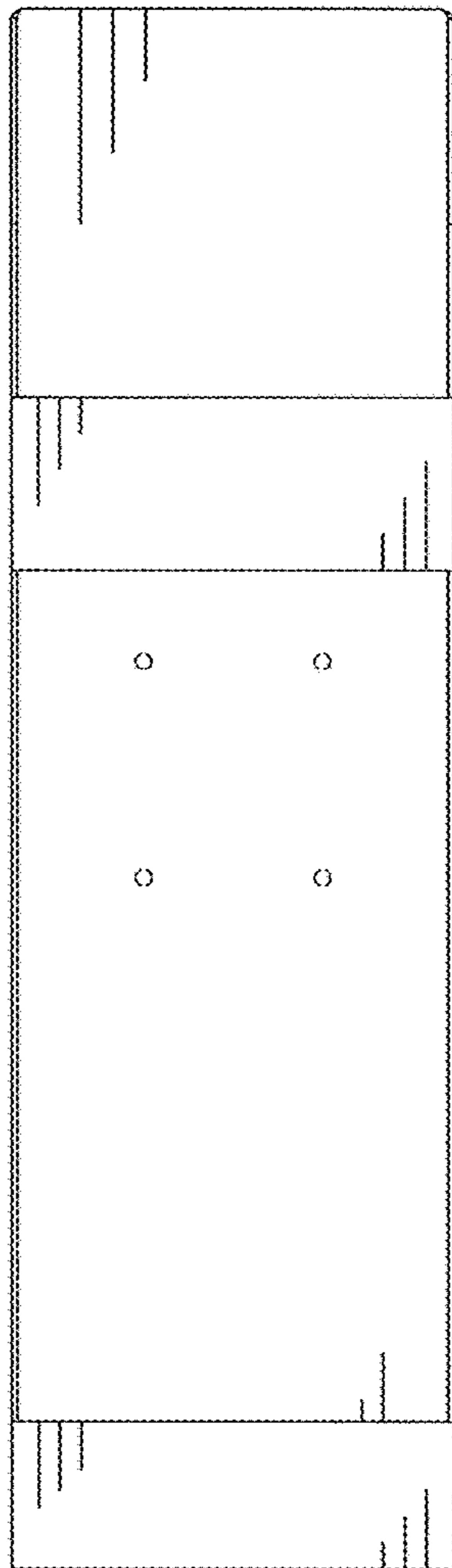


FIG. 3

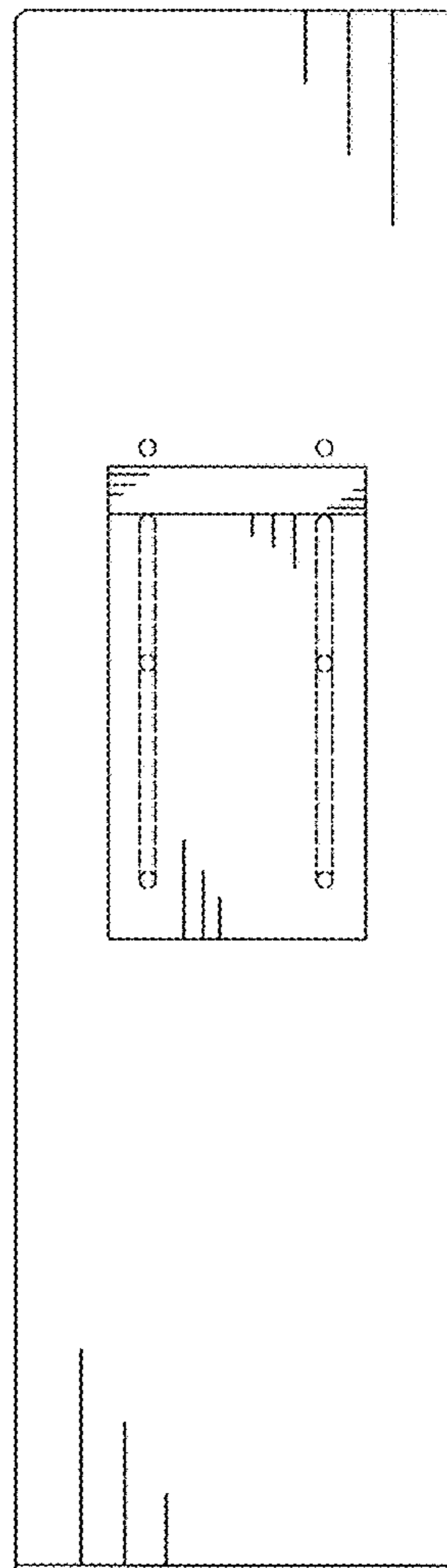


FIG. 4

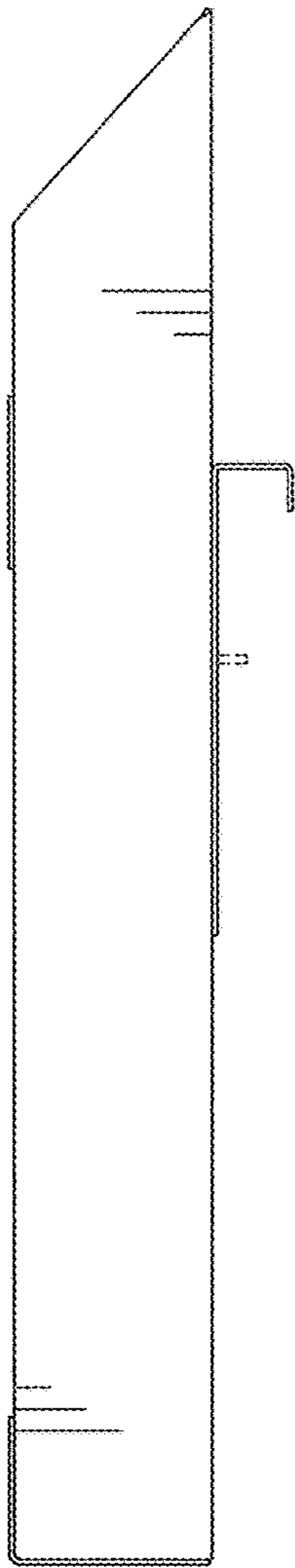


FIG. 5

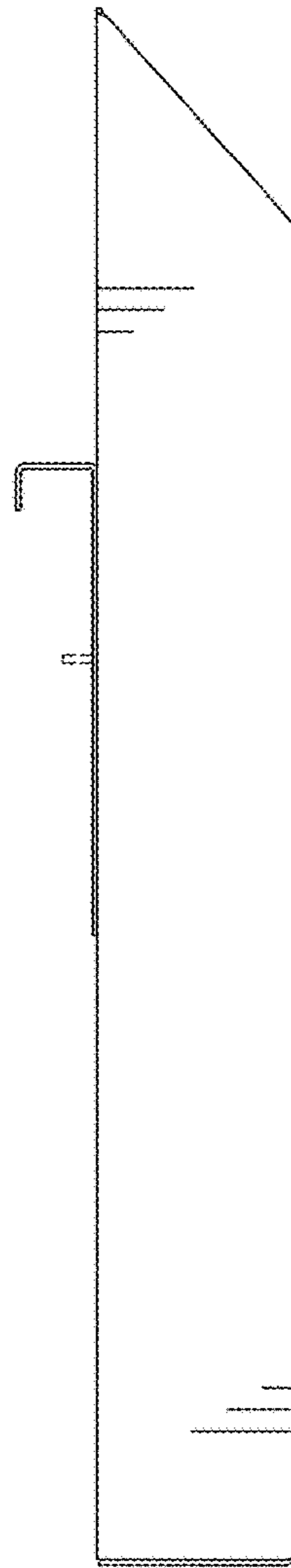


FIG. 6

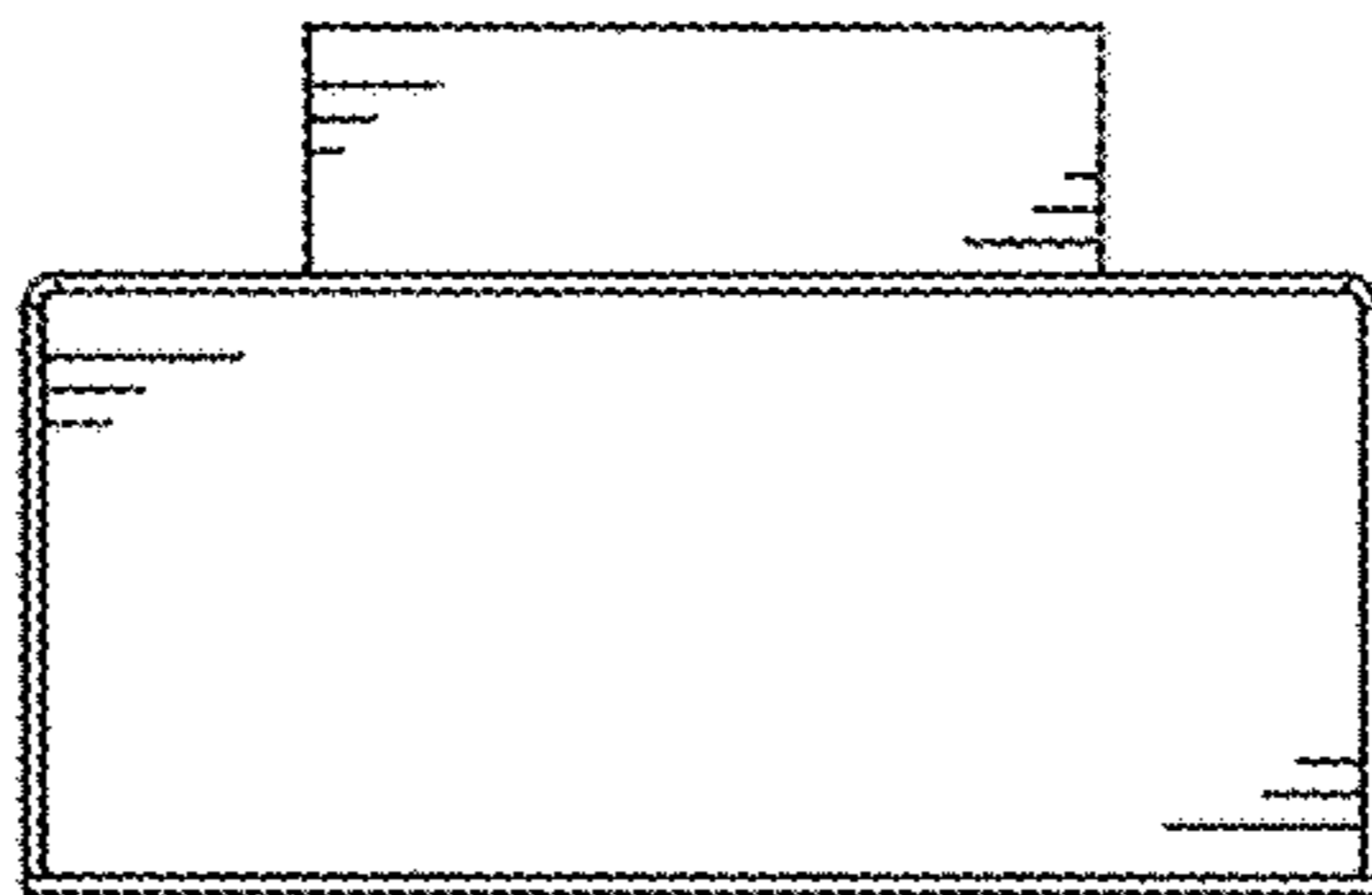


FIG. 7

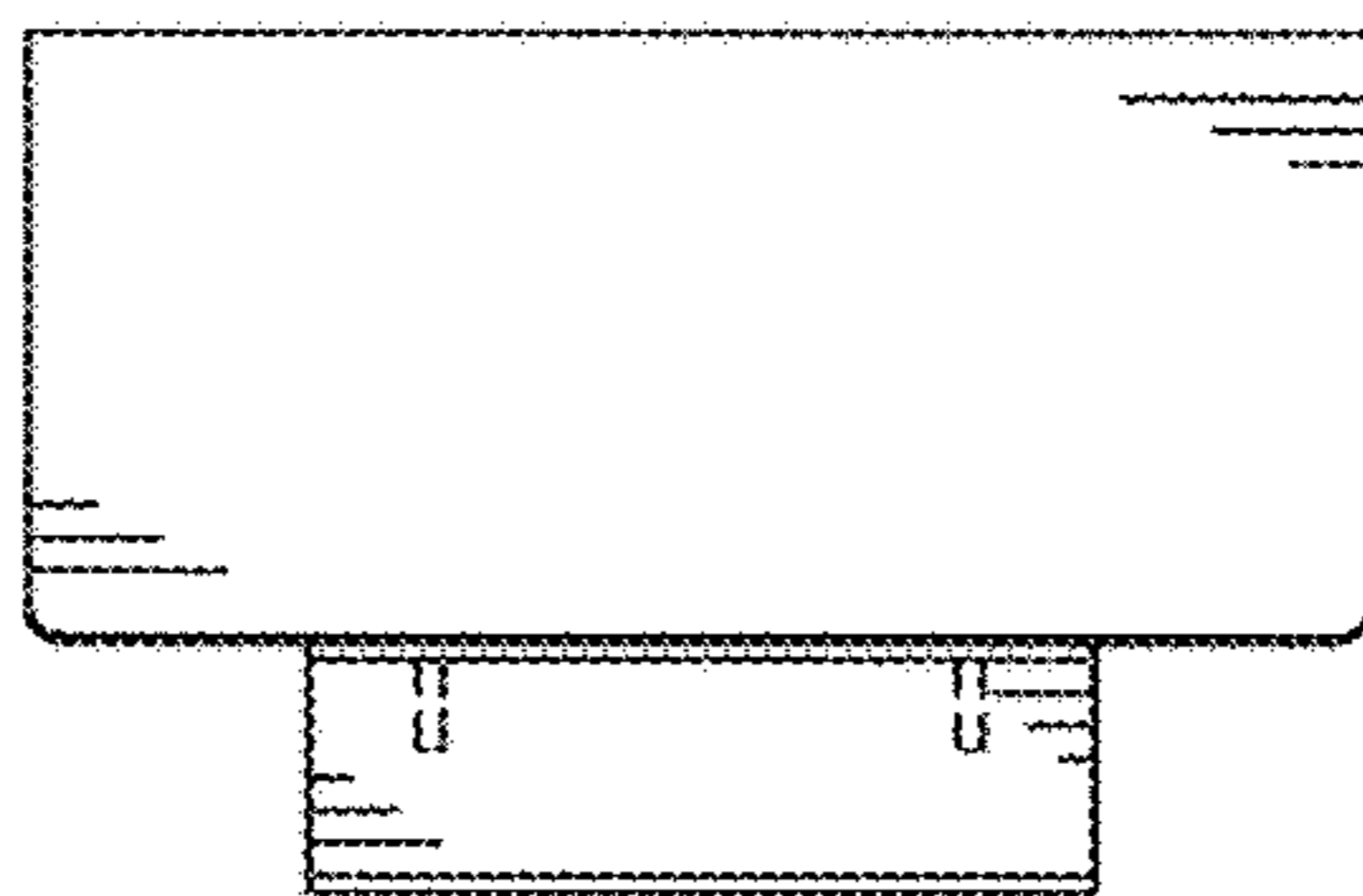


FIG. 8

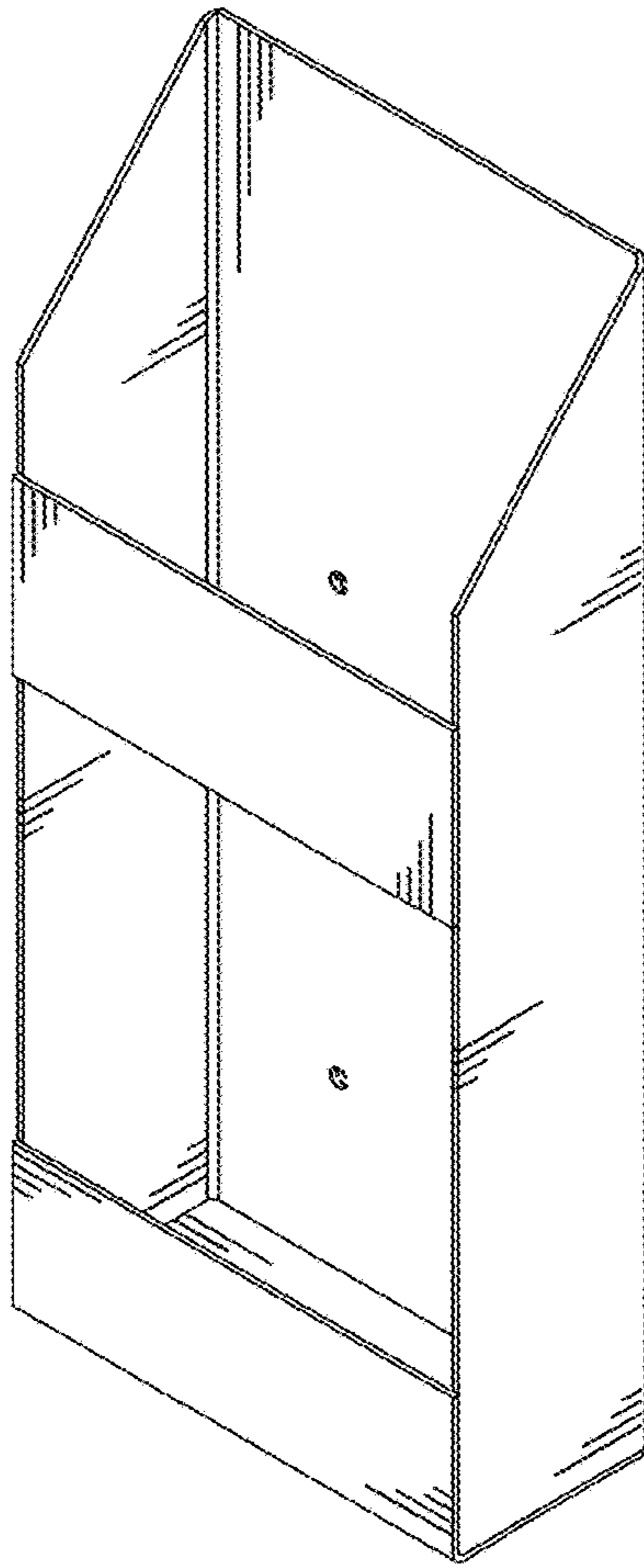


FIG. 9

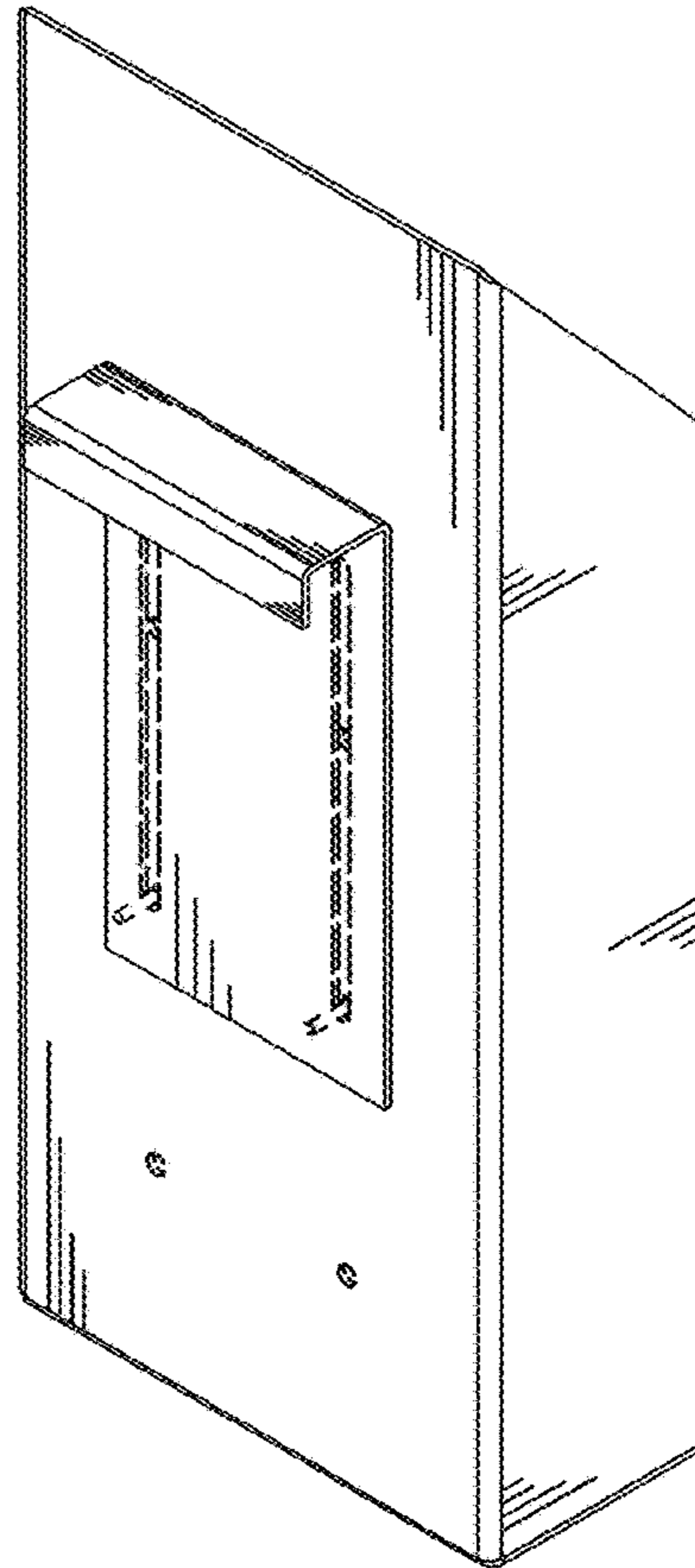


FIG. 10

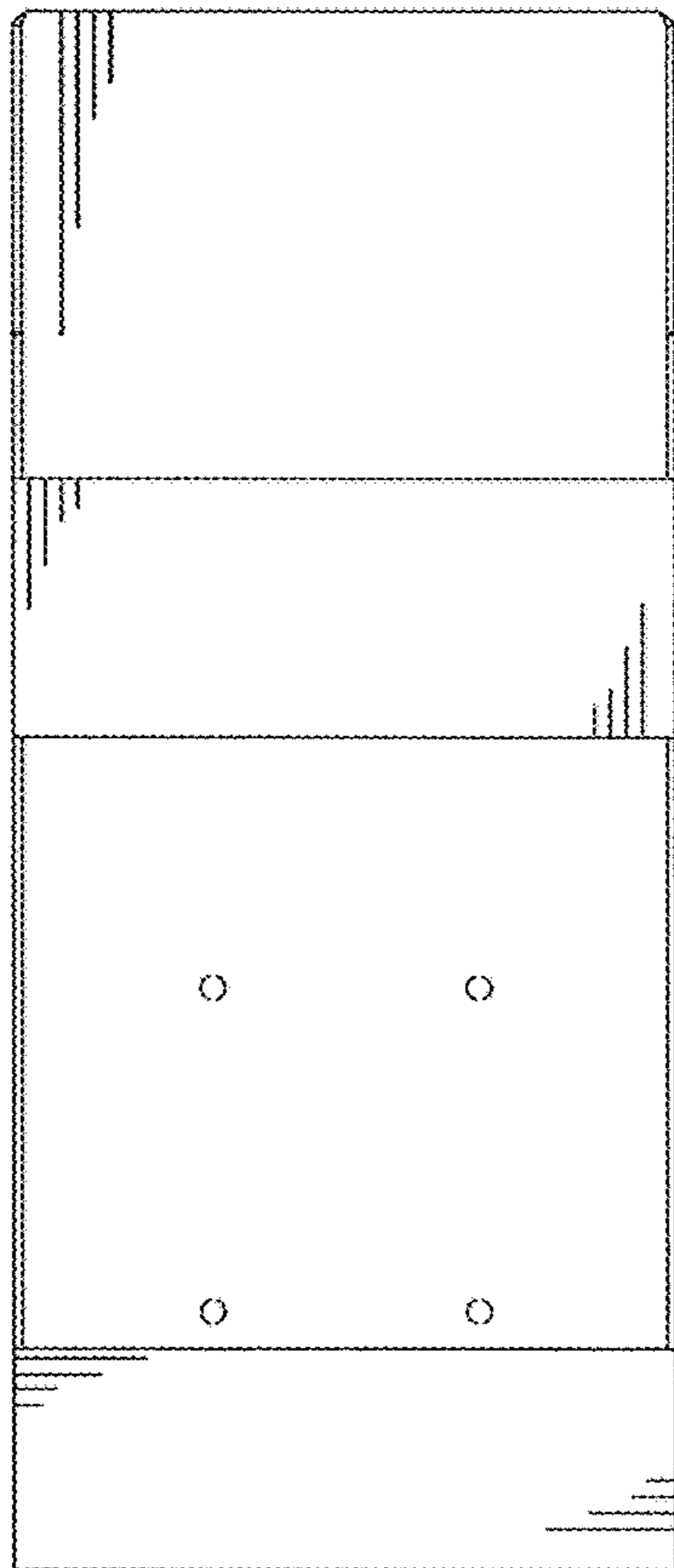


FIG. 11

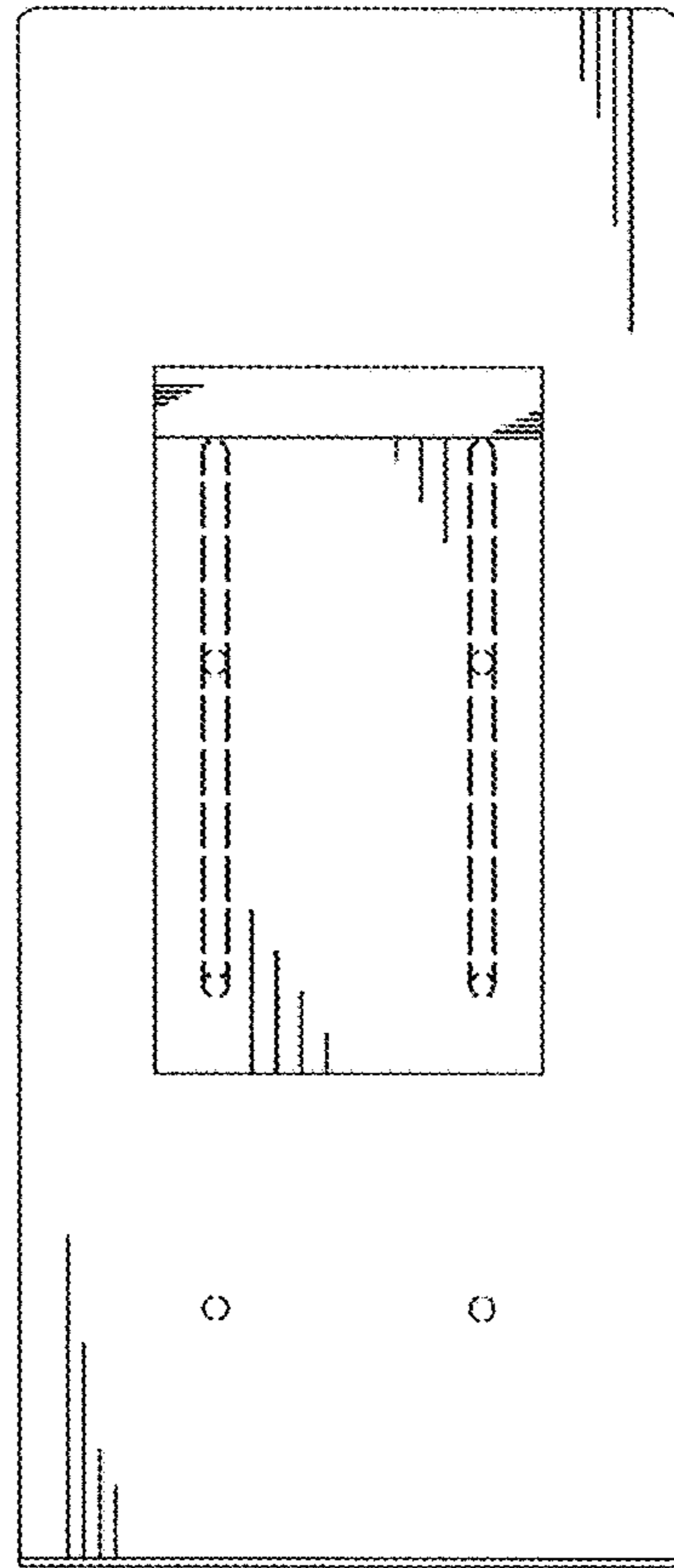


FIG. 12



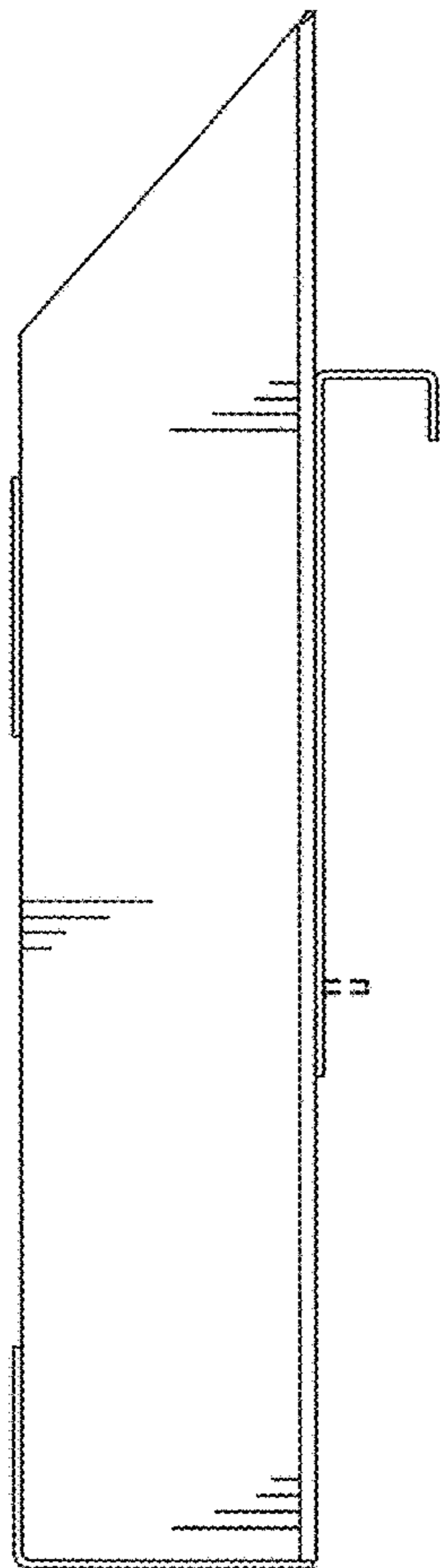


FIG. 13

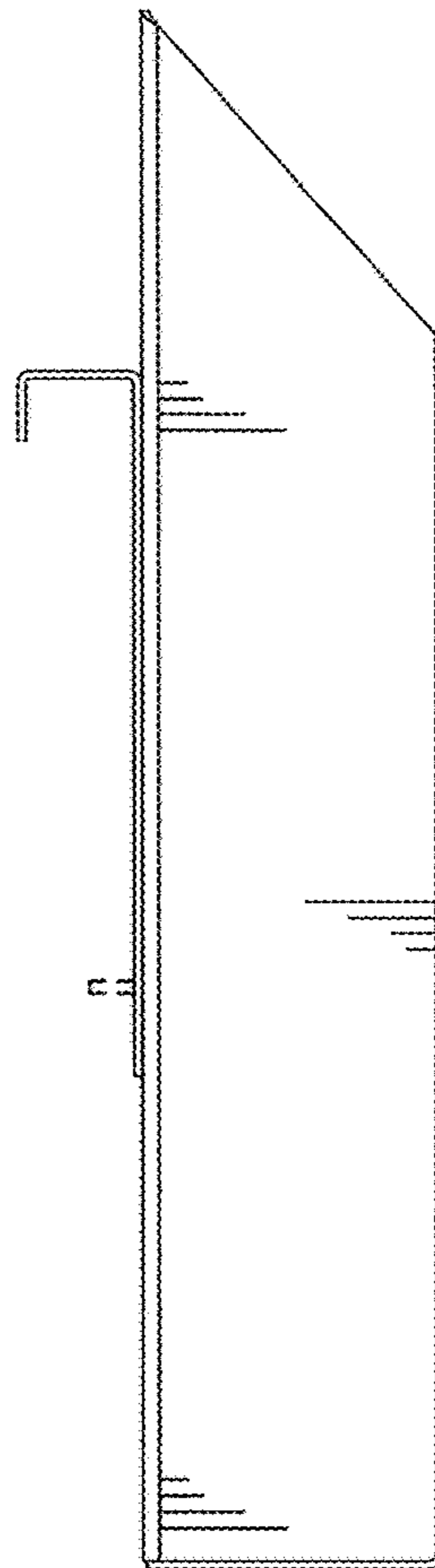


FIG. 14

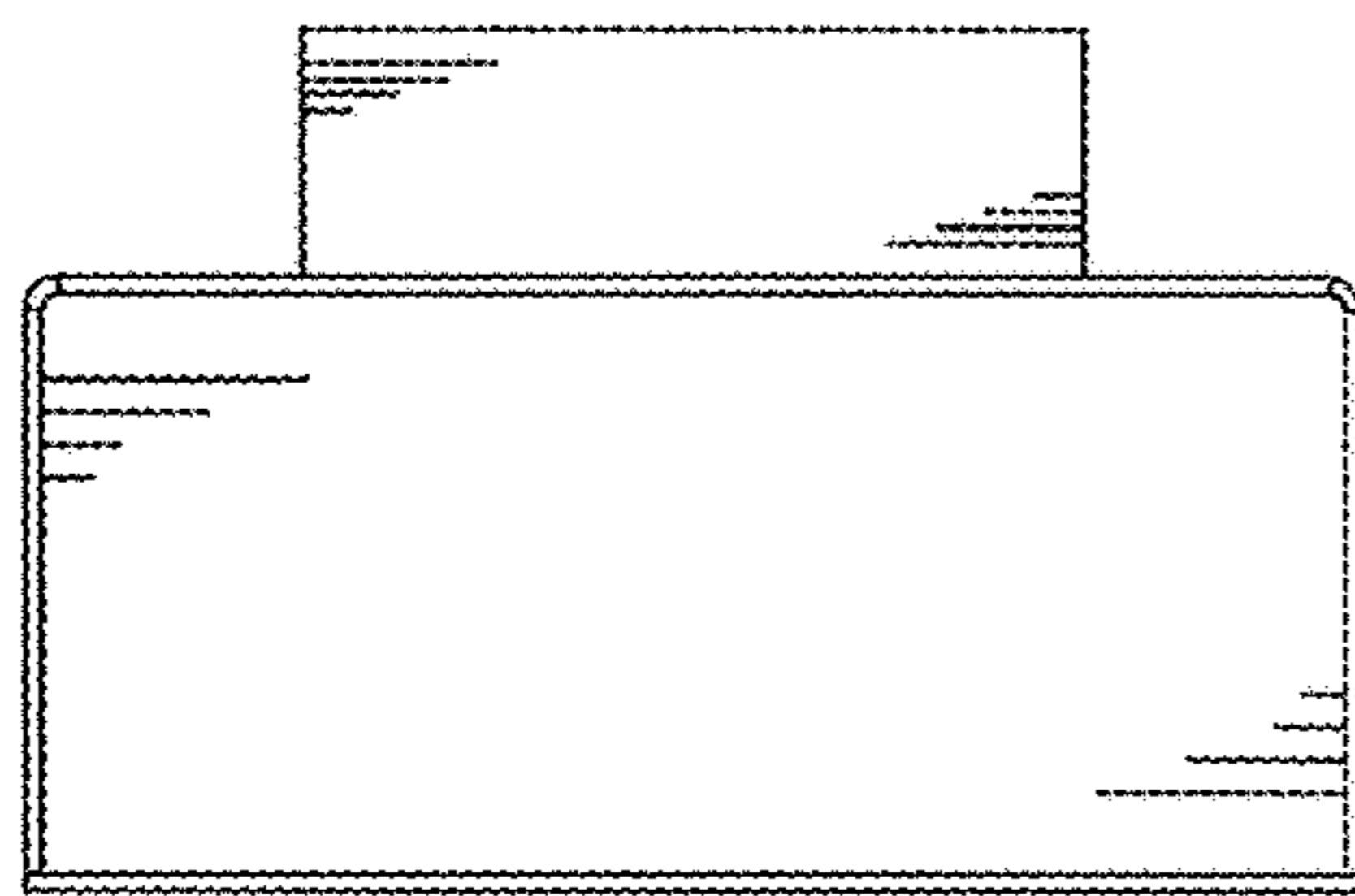


FIG. 15

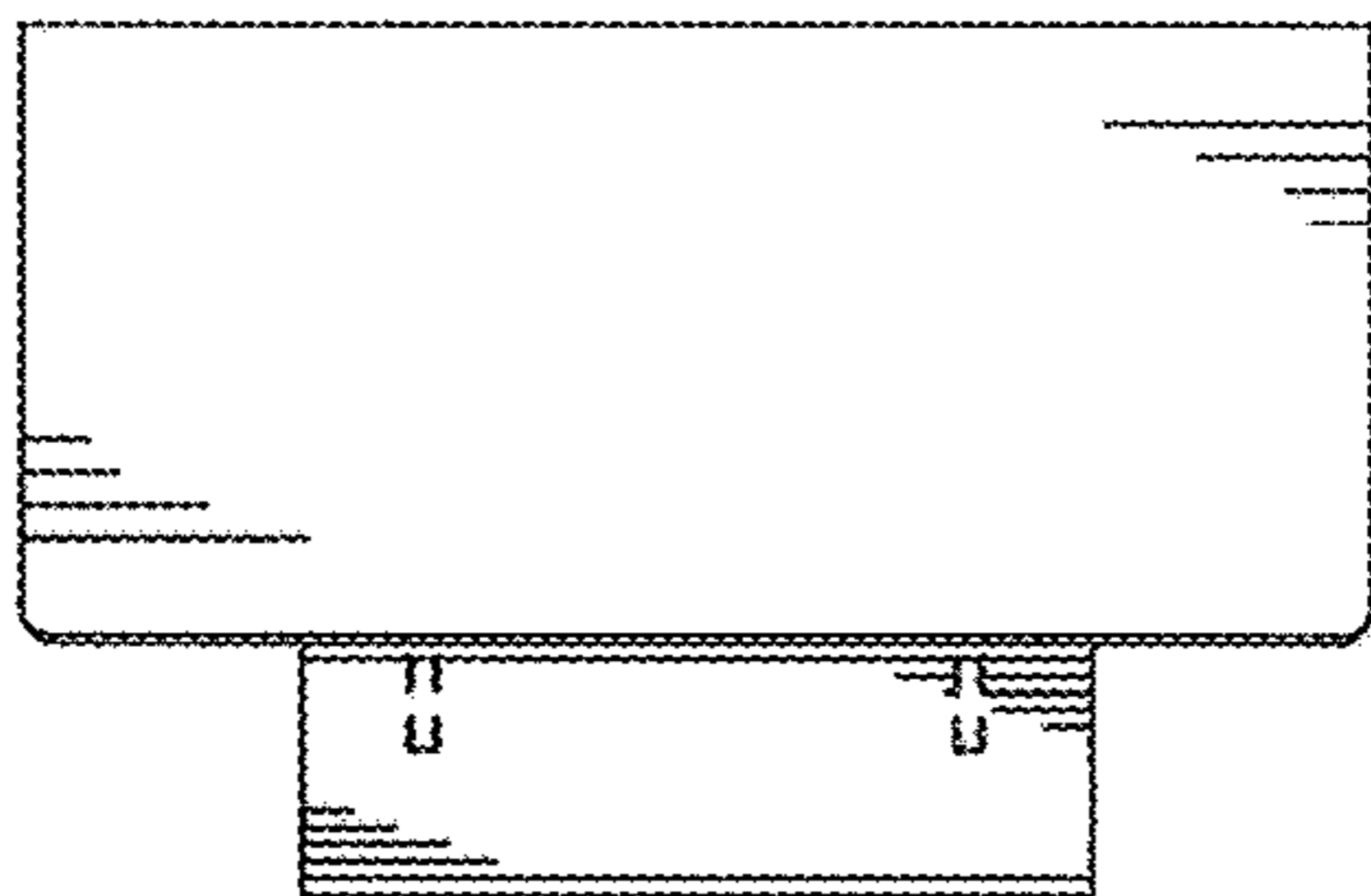


FIG. 16

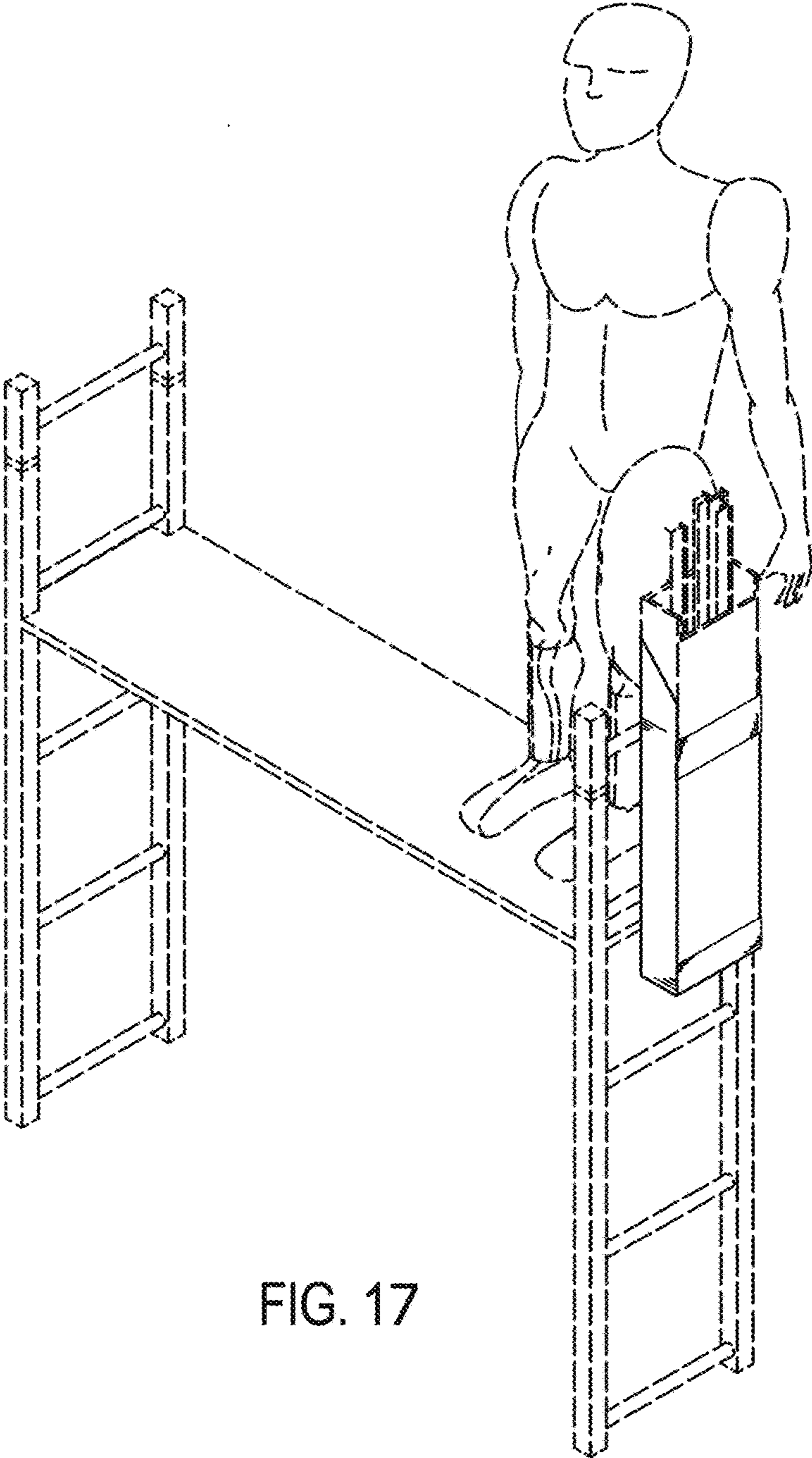


FIG. 17