



US00D854189S

(12) **United States Design Patent** (10) **Patent No.:** **US D854,189 S**
Olga (45) **Date of Patent:** **** Jul. 16, 2019**

(54) **BUILDING**

(71) Applicant: **Zhdanova Olga**, Pilisszentiván (HU)

(72) Inventor: **Zhdanova Olga**, Pilisszentiván (HU)

(**) Term: **15 Years**

(21) Appl. No.: **35/502,199**

(22) Filed: **Oct. 20, 2016**

(80) **Hague Agreement Data**

Int. Filing Date: **Oct. 20, 2016**

Int. Reg. No.: **DM/093886**

Int. Reg. Date: **Oct. 20, 2016**

Int. Reg. Pub. Date: **Dec. 30, 2016**

(51) **LOC (11) Cl.** **25-03**

(52) **U.S. Cl.**
USPC **D25/7; D25/31; D21/375**

(58) **Field of Classification Search**
USPC D25/31, 1, 7, 18, 30, 33, 56, 115;
D21/300, 369, 371, 375; D30/112, 115
CPC A63F 5/04; A63F 1/00; A63F 1/18; G07F
17/32
See application file for complete search history.

(56) **References Cited**

U.S. PATENT DOCUMENTS

D33,559 S * 11/1900 McDermott D15/1
1,427,135 A * 8/1922 Tenney A63F 5/02
273/142 G
D176,445 S * 12/1955 Claire D21/374
3,344,440 A * 10/1967 Langer E04H 4/10
4/503
D228,126 S * 8/1973 Magill D25/3
D246,192 S * 10/1977 Albright, Jr. D25/21
D280,439 S * 9/1985 Sanford D25/11
D304,870 S * 11/1989 Mason D30/115
D310,110 S * 8/1990 Dawson D21/371
5,010,695 A * 4/1991 Schildge, Jr. E04B 7/14
52/6
D323,358 S * 1/1992 Workman D21/375

D338,717 S * 8/1993 Del Monte D25/33
D340,088 S * 10/1993 Graf D21/375
D345,585 S * 3/1994 Nelly D21/375

(Continued)

OTHER PUBLICATIONS

Cammegh, The World's Finest Roulette Wheel, announced 2010 [online], [site visited Nov. 17, 2017]. Available from Internet, URL: <<http://www.cammegh.com/product.php?product=classic>>.*

(Continued)

Primary Examiner — Barbara Fox
Assistant Examiner — Dana K Weiland

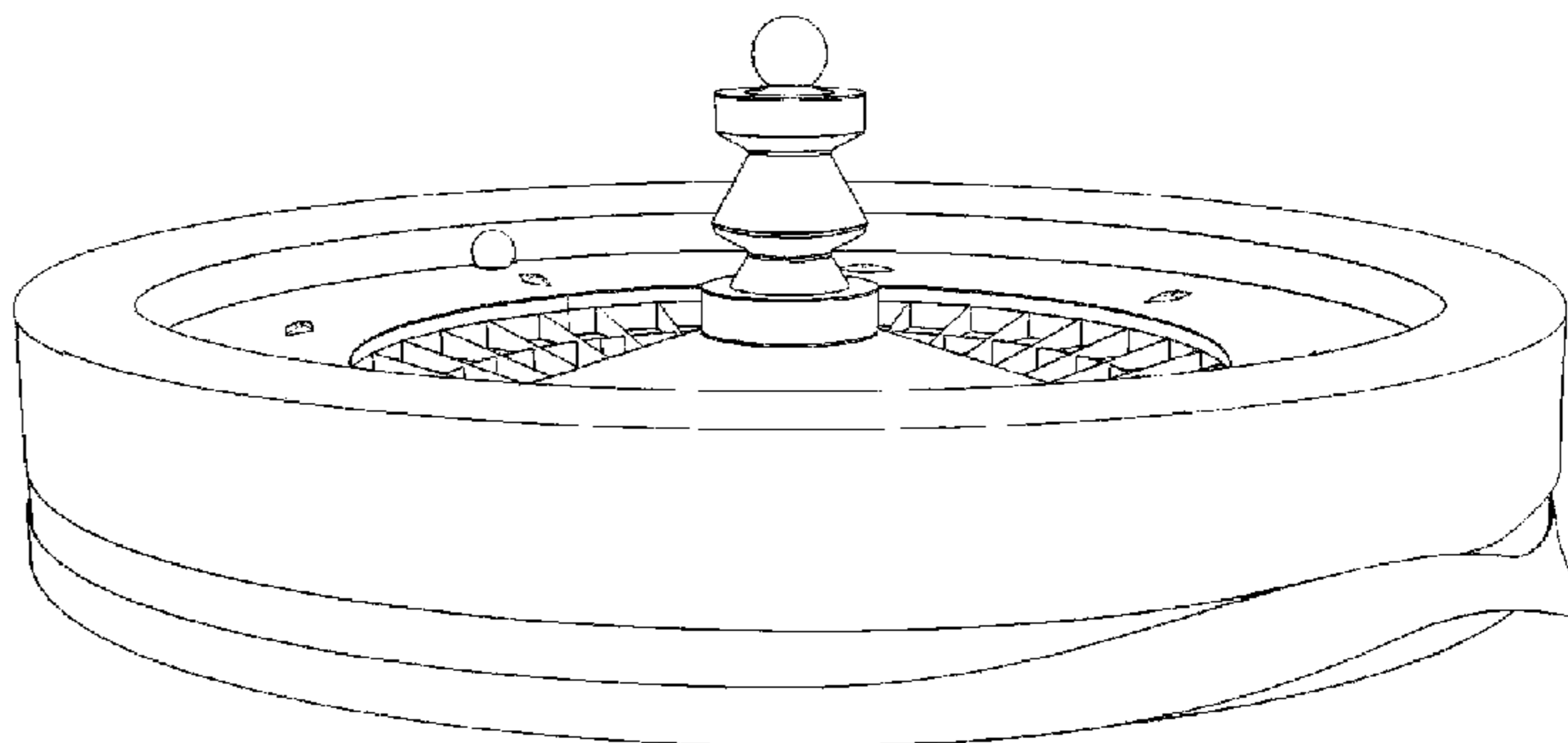
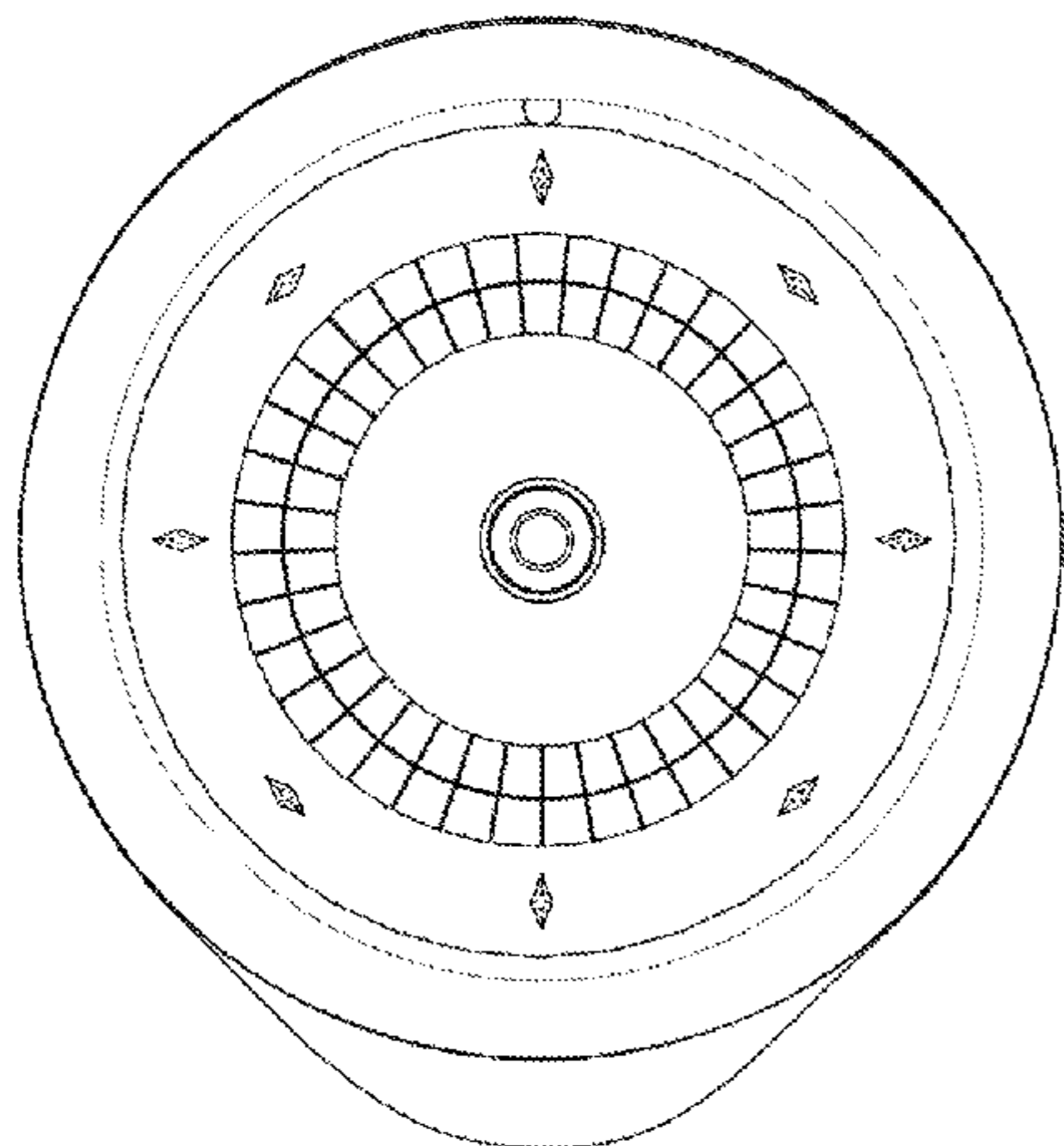
(57) **CLAIM**

The ornamental design for a building, as shown and described.

DESCRIPTION

1.-2. Building
FIG. 1.1 is a left view of a first embodiment of a building showing the new design;
FIG. 1.2 is a top view thereof;
FIG. 1.3 is a bottom view thereof;
FIG. 1.4 is a perspective view thereof; and
FIG. 1.5 is another perspective view thereof;
FIG. 2.1 is a back view of a second embodiment of a building showing the new design;
FIG. 2.2 is a left view thereof;
FIG. 2.3 is a right view thereof;
FIG. 2.4 is a top view thereof;
FIG. 2.5 is a front view thereof;
FIG. 2.6 is a bottom view thereof;
FIG. 2.7 is a perspective view thereof;
FIG. 2.8 is another perspective view thereof; and
FIG. 2.9 is a third perspective view thereof.
The invention is the design of a building shaped like a roulette wheel.
The broken lines shown in the drawings depict portions of the building that form no part of the claimed design.

1 Claim, 14 Drawing Sheets



(56)

References Cited

U.S. PATENT DOCUMENTS

D376,653 S * 12/1996 Clijsters D25/1
 5,636,838 A * 6/1997 Caro A63F 5/04
 273/142 E
 6,047,965 A * 4/2000 Mollo A63F 5/00
 273/142 D
 D490,906 S * 6/2004 Small D25/31
 D563,483 S * 3/2008 Klamer D21/371
 D591,800 S * 5/2009 Hsu D21/369
 D617,390 S * 6/2010 Mariano A63F 5/046
 D21/375
 7,926,810 B2 * 4/2011 Fisher A63F 5/02
 273/274
 D656,240 S * 3/2012 Andreini D25/31
 D663,785 S * 7/2012 Walsh D21/375
 8,376,827 B2 * 2/2013 Cammegh A63F 5/00
 463/16
 8,590,894 B2 * 11/2013 Sorge A63F 5/00
 273/138.1
 8,899,586 B2 * 12/2014 Shelburn A63F 5/0088
 273/142 E
 9,005,004 B2 * 4/2015 Nicely G07F 17/322
 463/17

D744,597 S * 12/2015 Kriznik D21/375
 D762,475 S * 8/2016 Turner D9/434
 D827,154 S * 8/2018 Lee D25/31
 10,065,106 B2 * 9/2018 Fitoussi G07F 17/3213
 10,076,701 B2 * 9/2018 Mercer A63F 5/00
 2008/0073842 A1 * 3/2008 Jones A63F 1/12
 273/149 R
 2016/0310831 A1 * 10/2016 Chun A63F 1/067

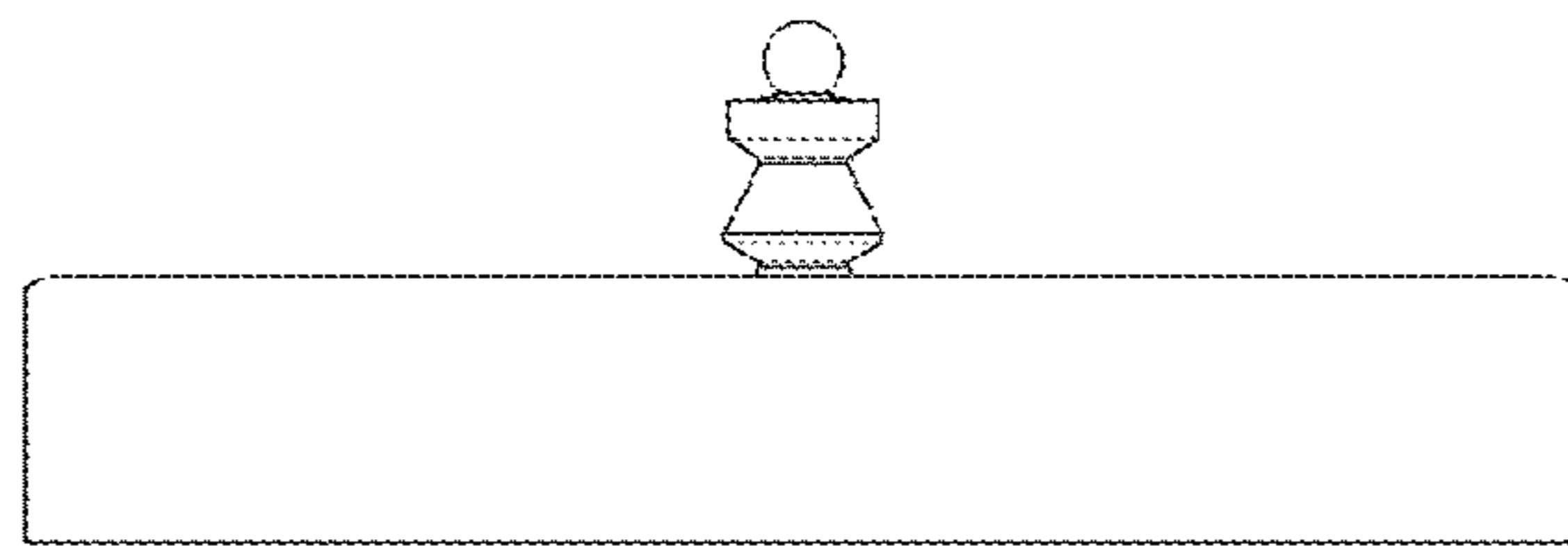
OTHER PUBLICATIONS

30 Inch Professional Roulette Wheel, announced Jan. 14, 2010 [online], [retrieved Sep. 25, 2018]. Available from Internet, URL: <<http://www.acesfullshop.com/30-inch-roulette-wheel-p-2451.html>> (Year: 2010).*

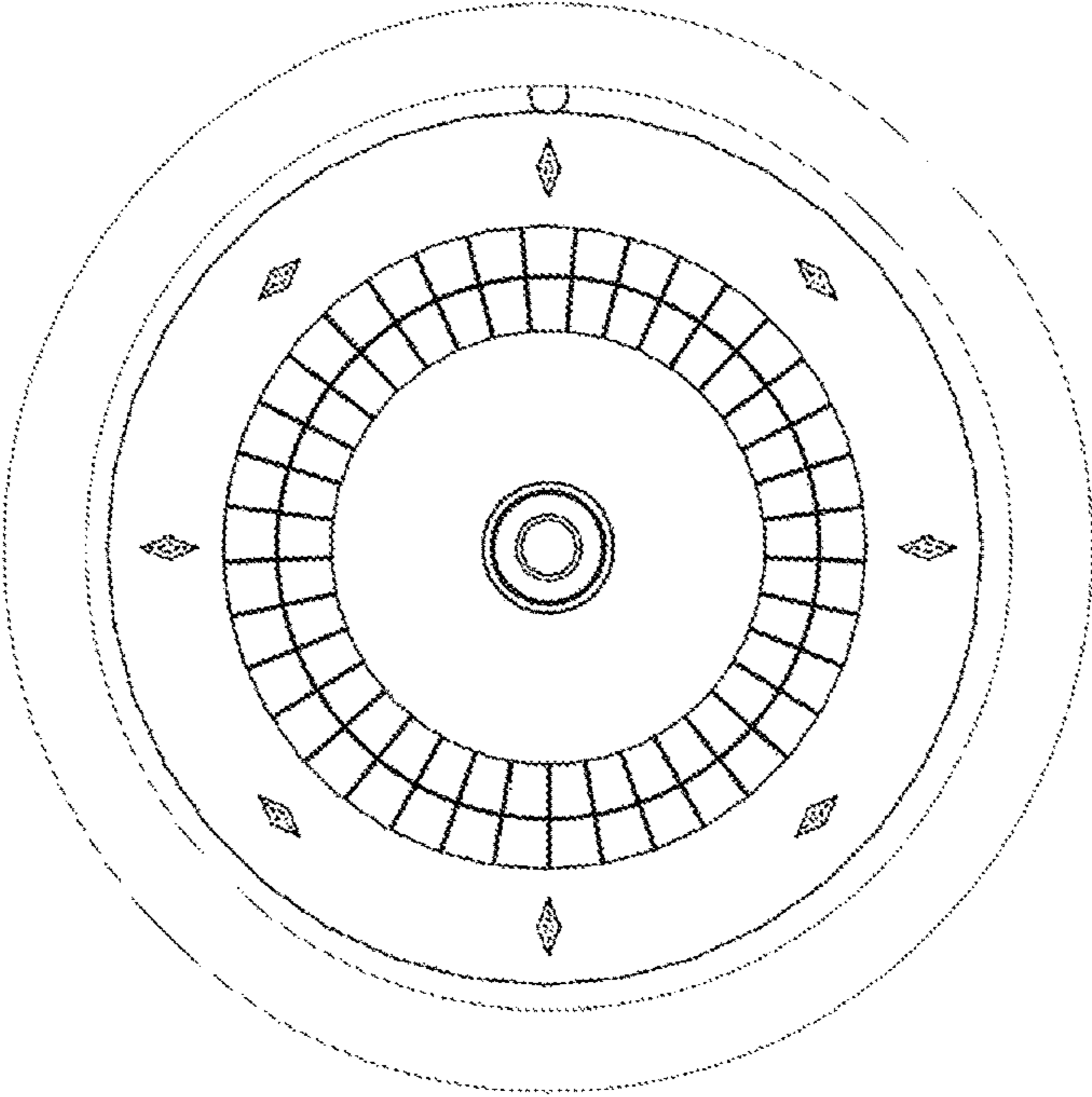
Roulette Wheel—80cm, announced Apr. 15, 2014 [online], [retrieved Sep. 25, 2018]. Available from Internet, URL: <<http://blackdoggames.co.uk/roulette/roulette-wheels/roulette-wheel-80cm/>> (Year: 2014).*

25" Roulette Wheel Made in the USA, announced 2018 [online], [retrieved Sep. 25, 2018]. Available from Internet, URL: <<https://www.casinogamesupplies.com/roulette-supplies/roulette-wheels/25-roulette-wheel-made-in-the-usa/>> (Year: 2018).*

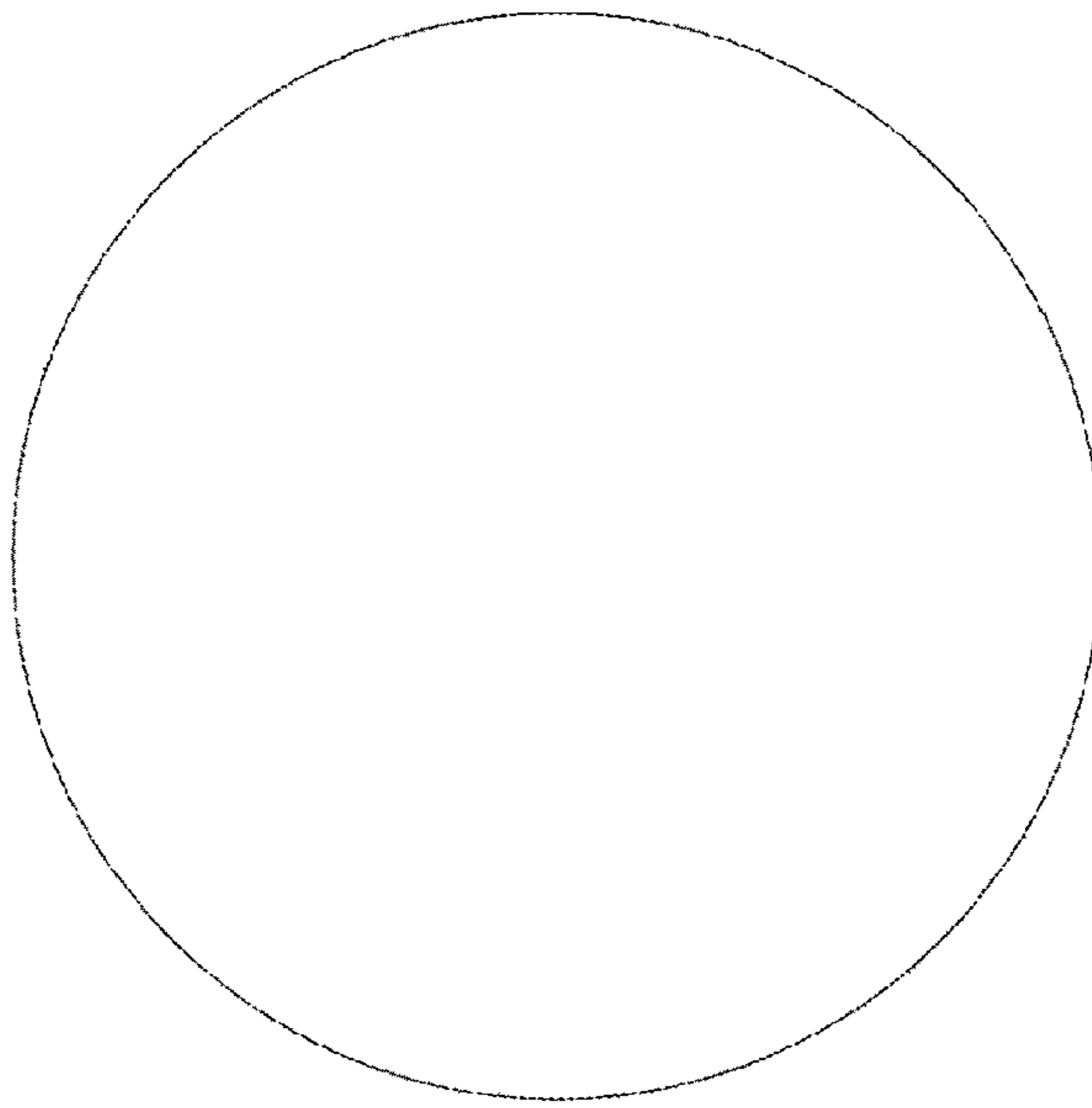
* cited by examiner



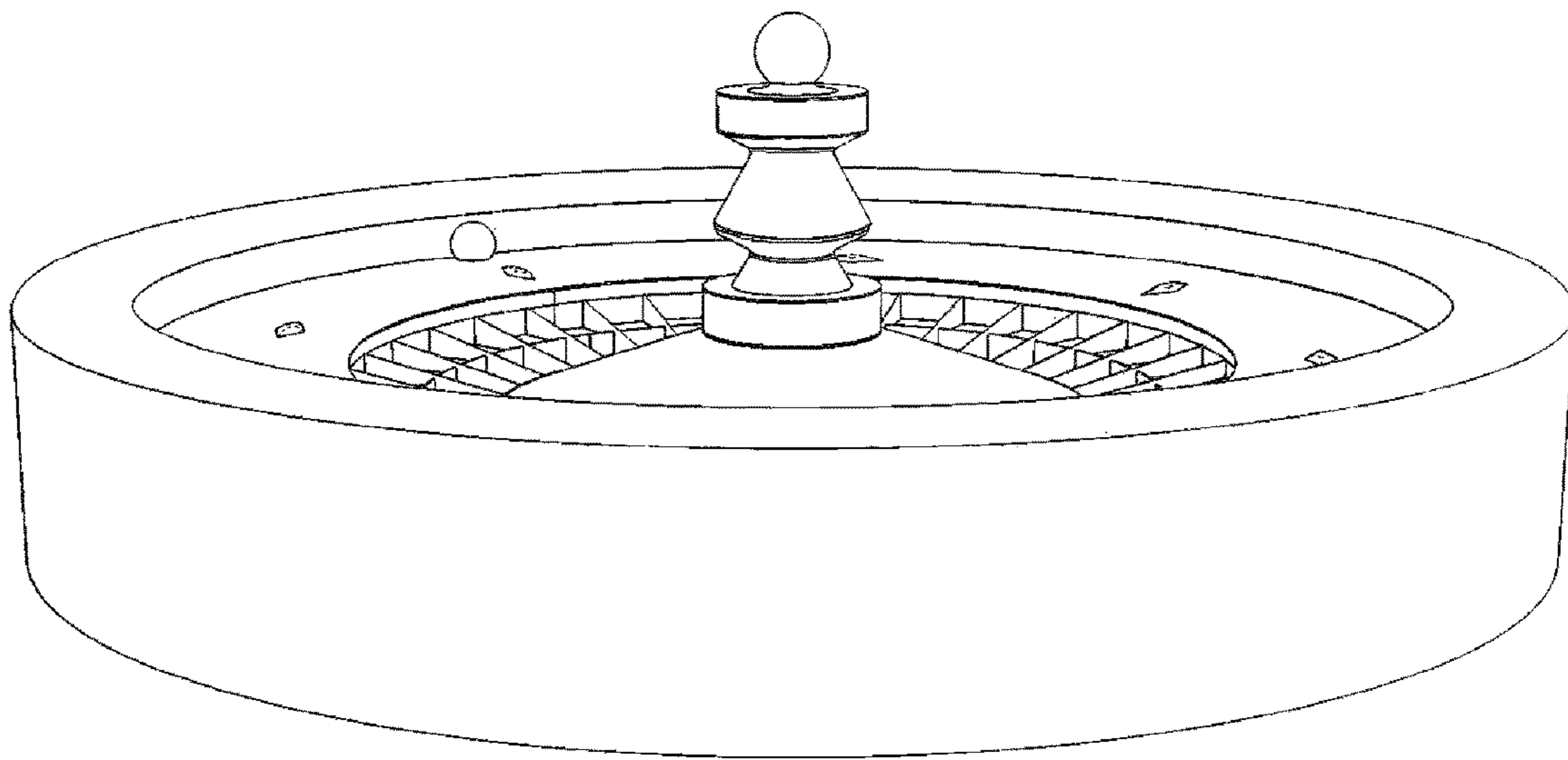
1.1



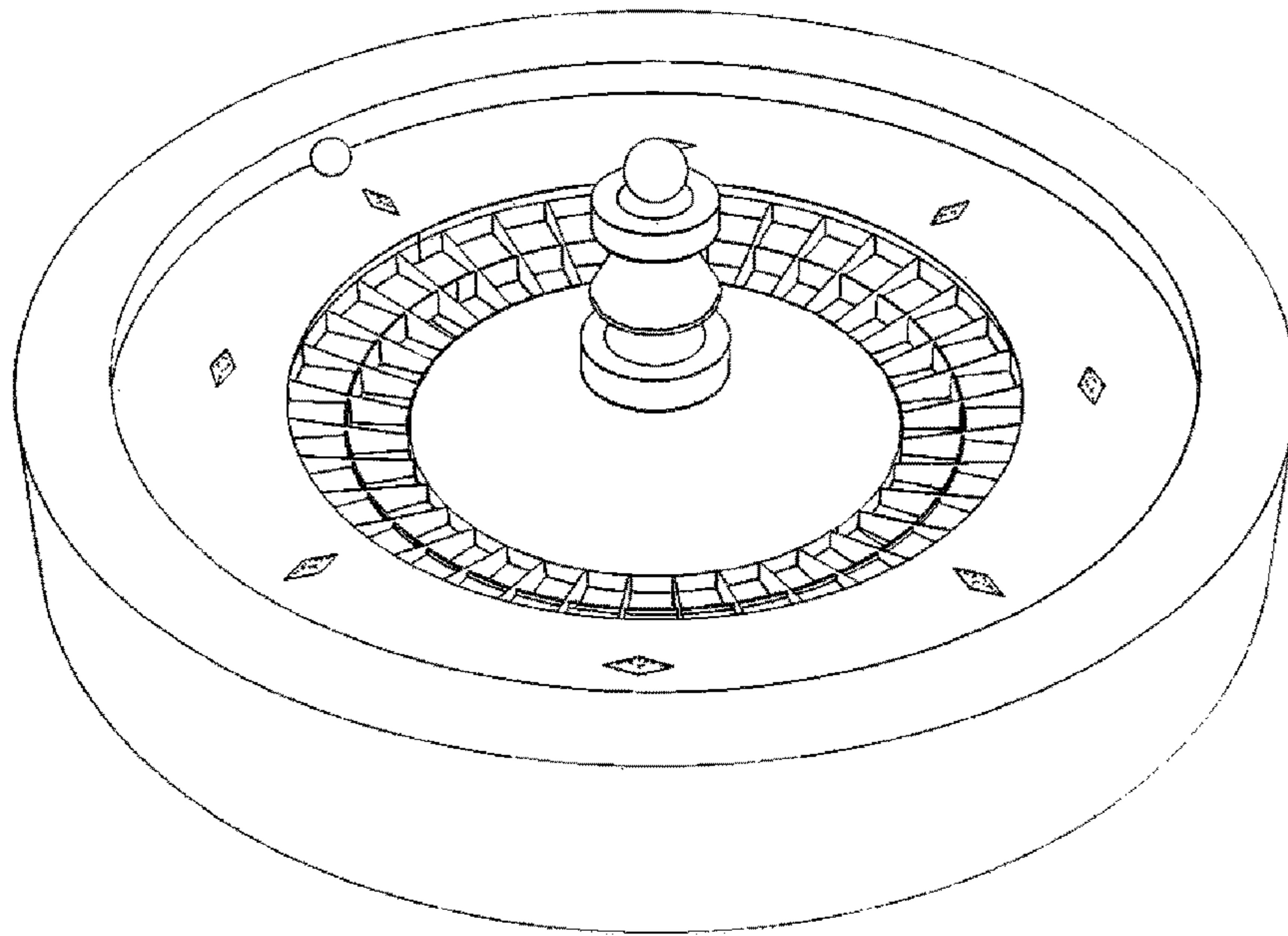
1.2



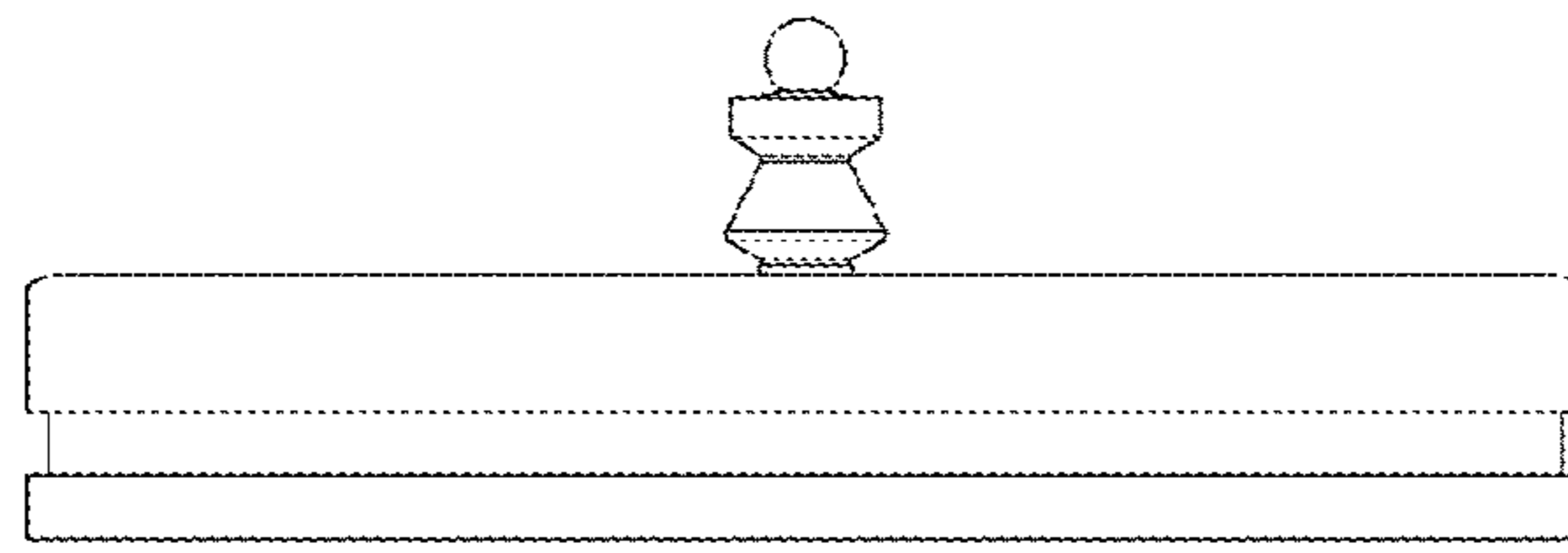
1.3



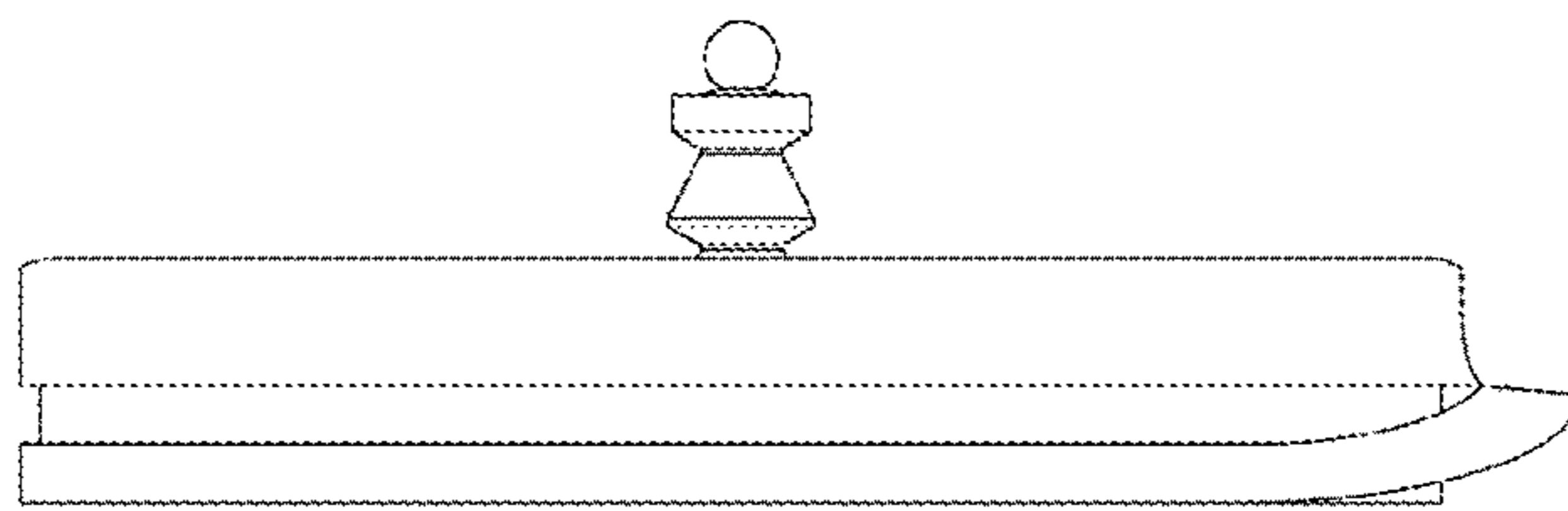
1.4



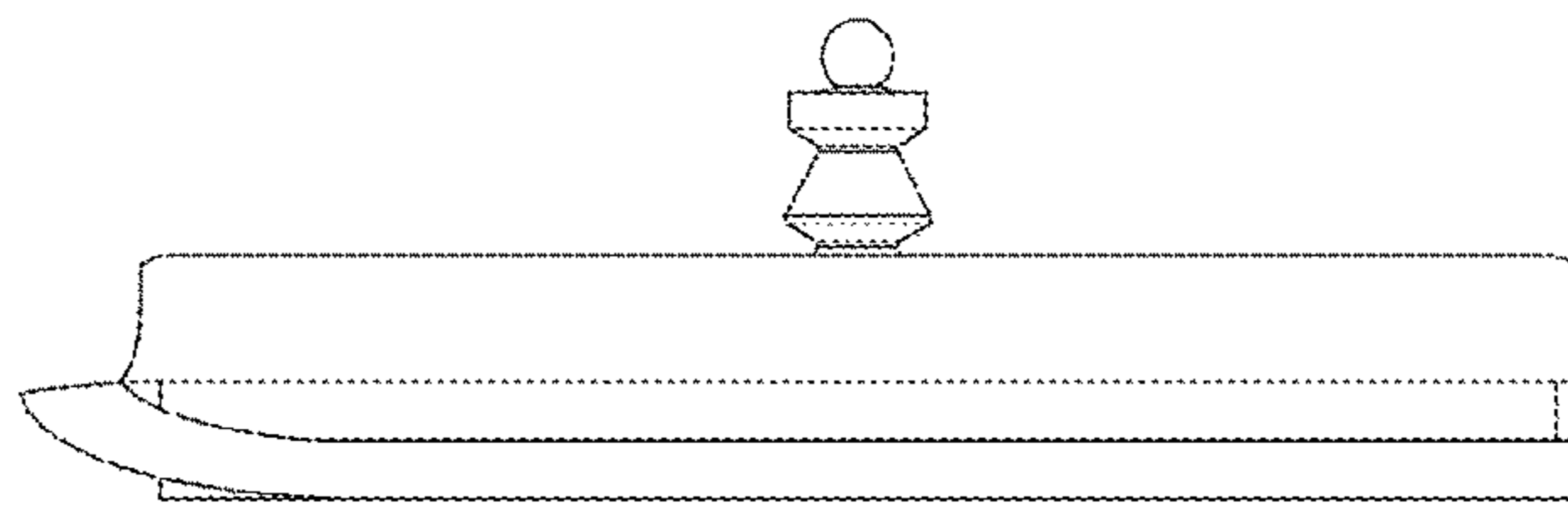
1.5



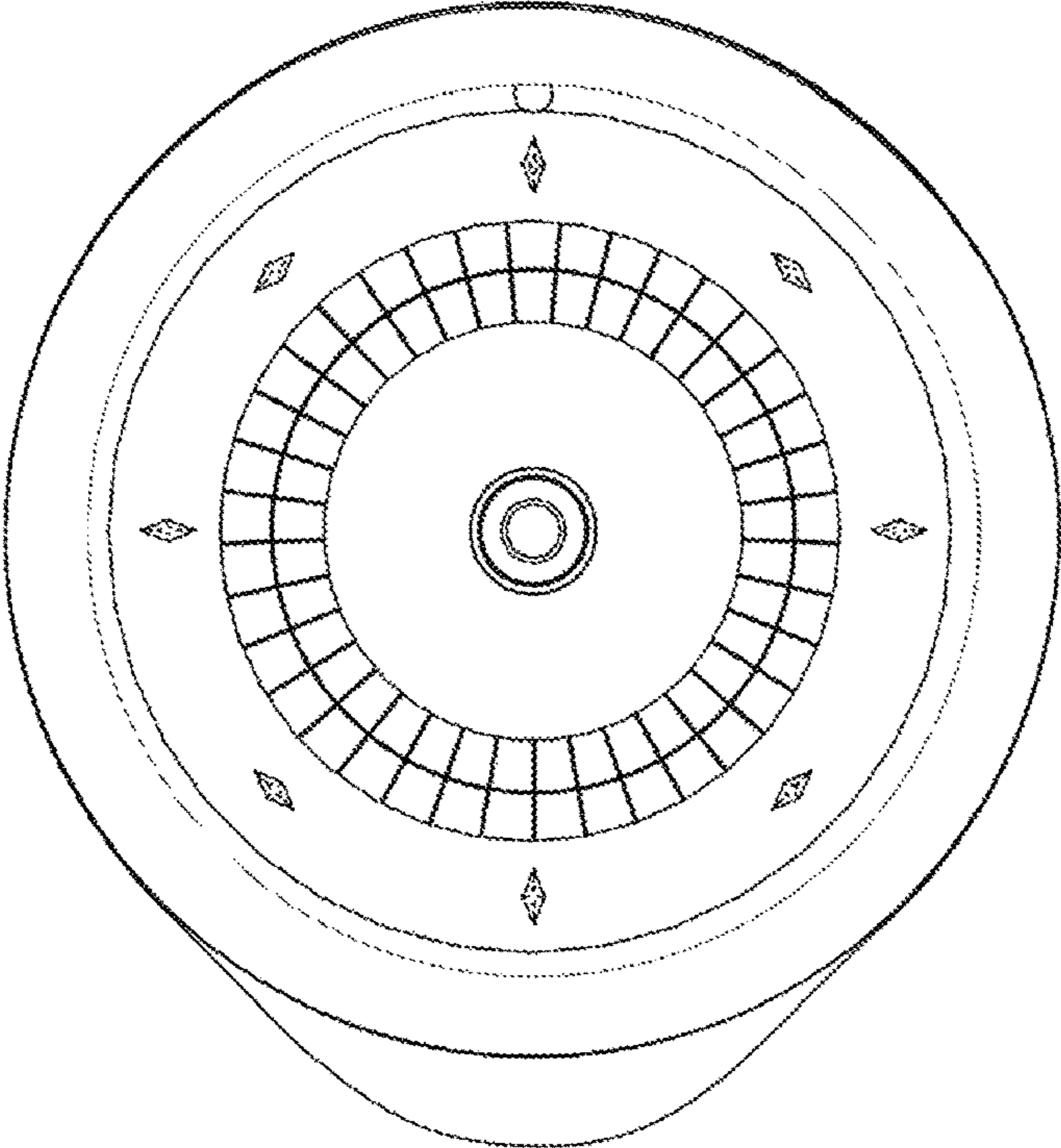
2.1



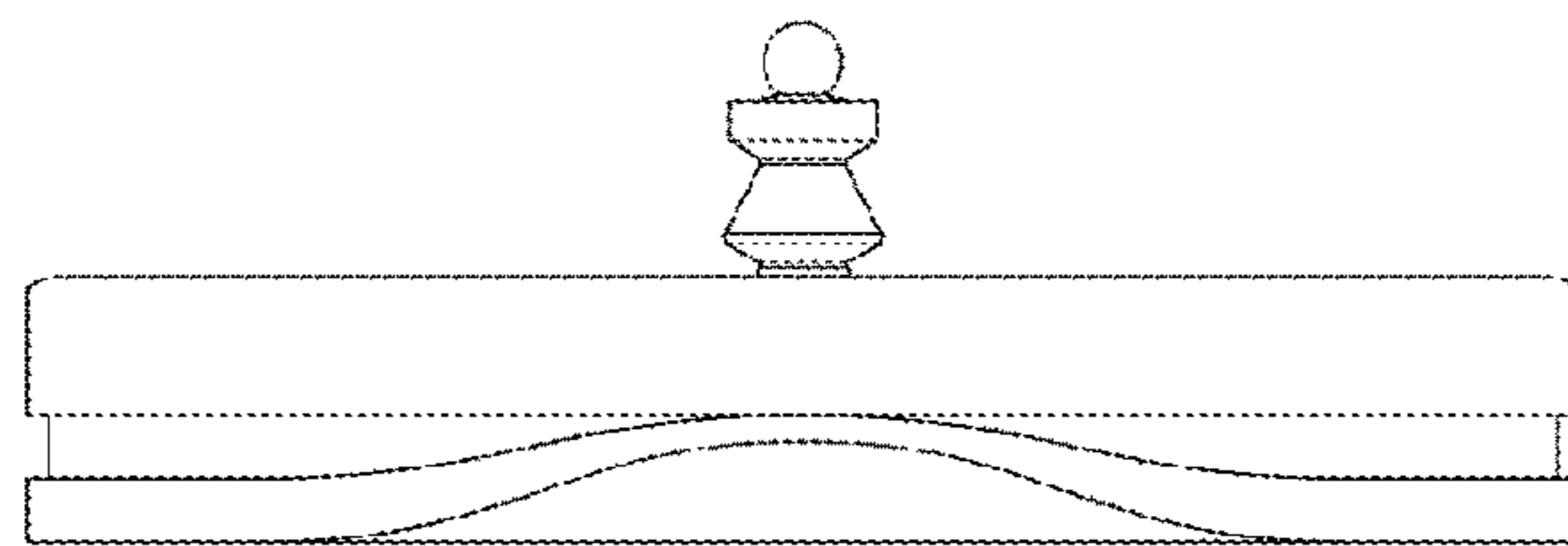
2.2



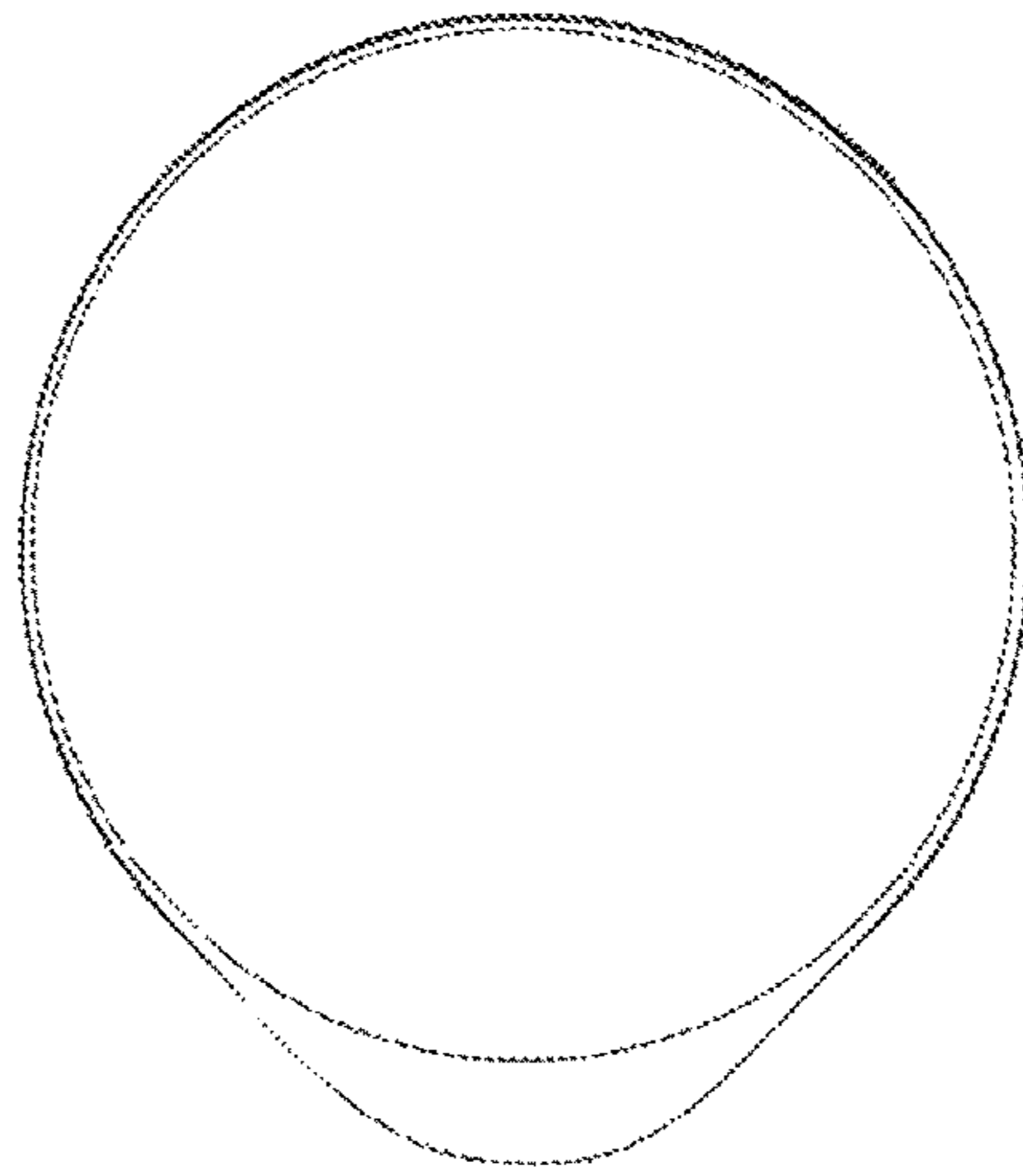
2.3



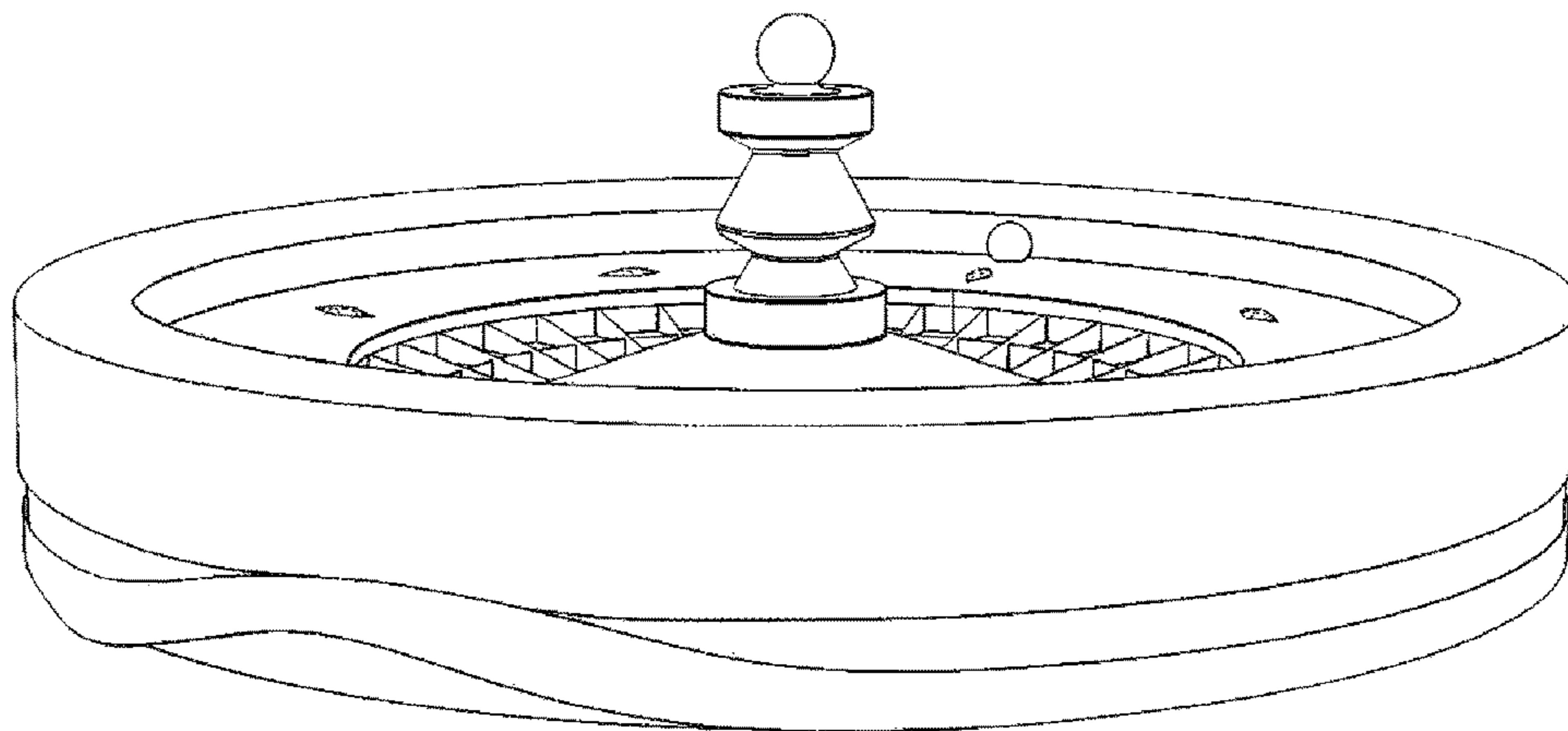
2.4



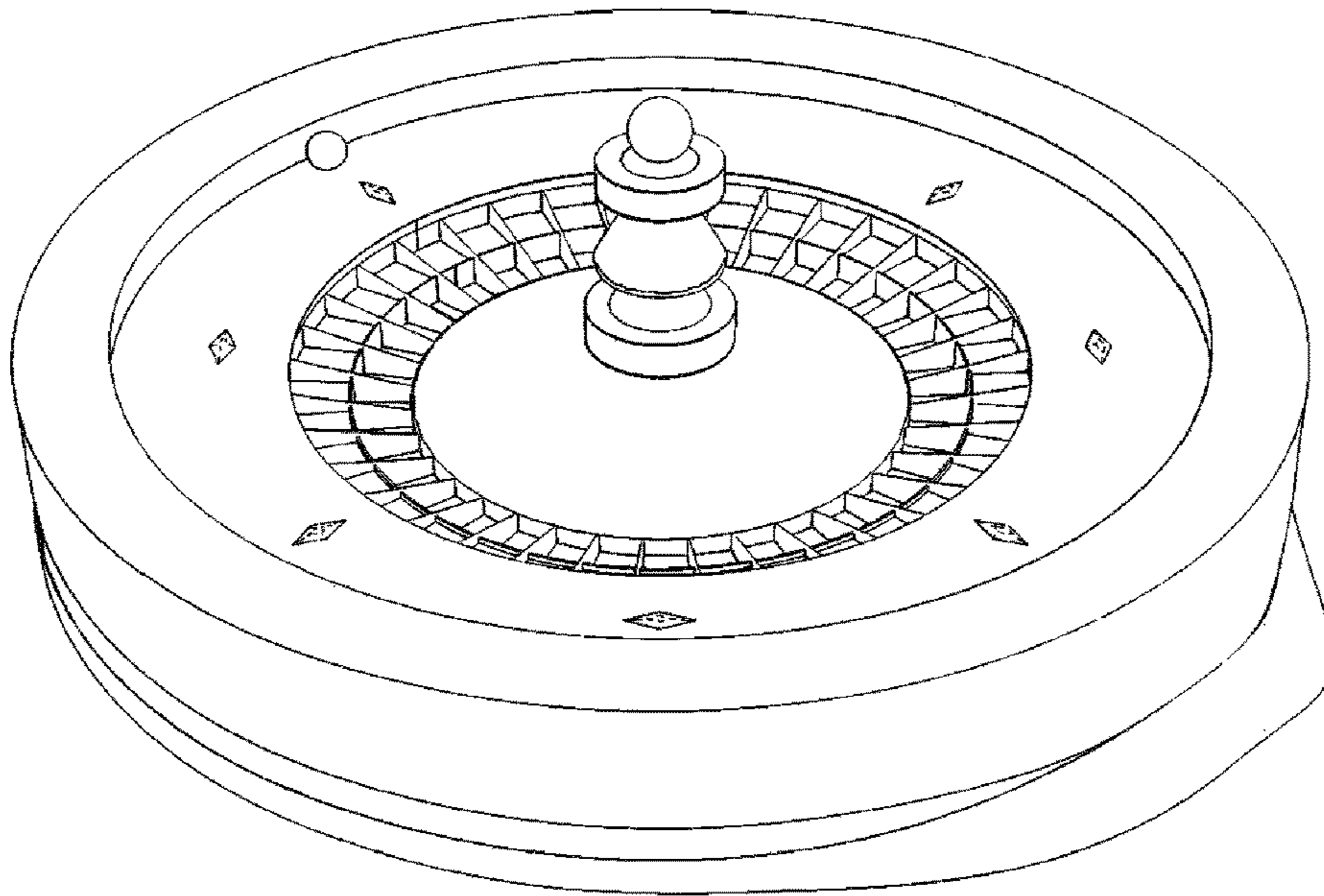
2.5



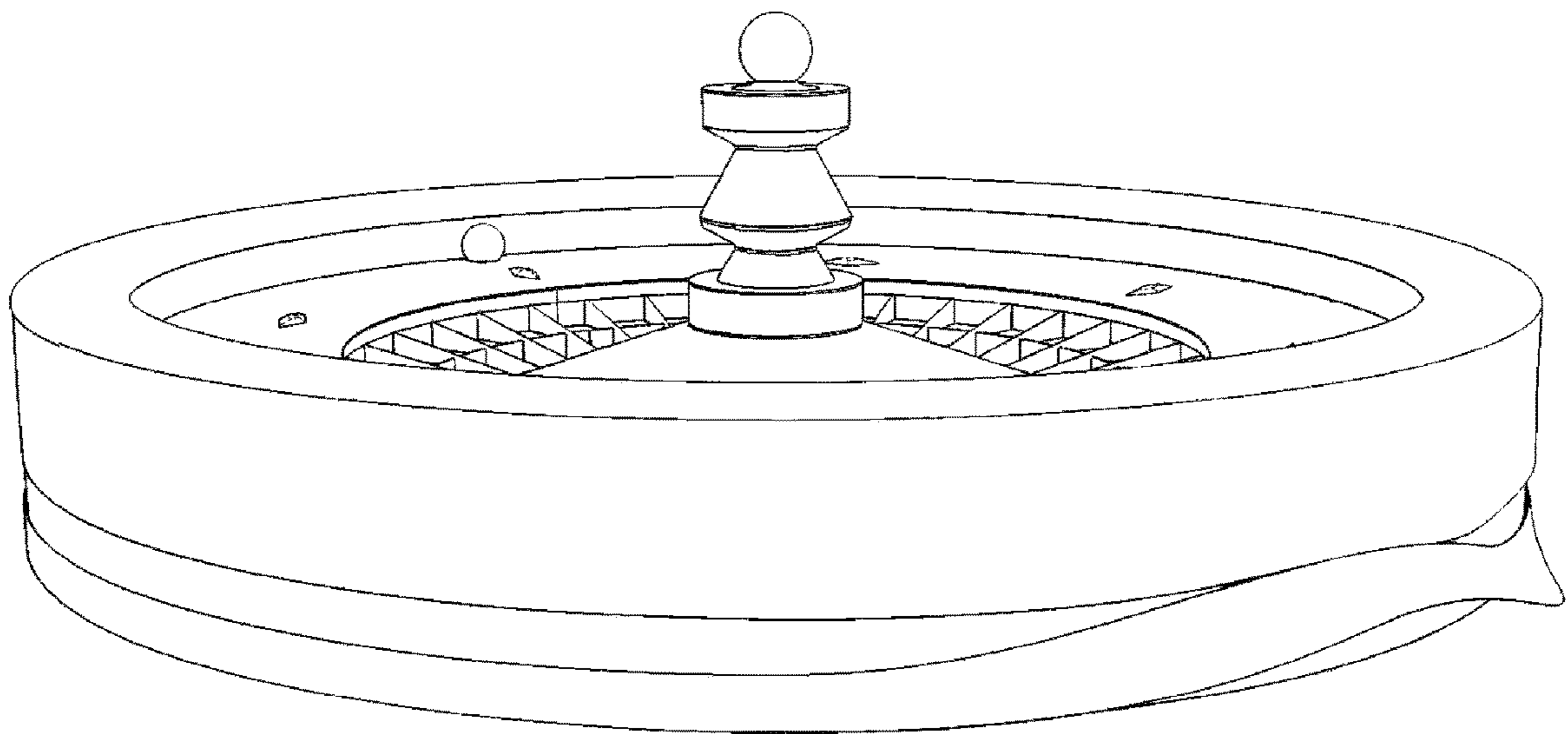
2.6



2.7



2.8



2.9