



US00D854185S

(12) **United States Design Patent** (10) **Patent No.:** **US D854,185 S**
Mendez Padilla et al. (45) **Date of Patent:** **** Jul. 16, 2019**

(54) **PIPETTE TIP RECEPTACLE PLATE**
(71) Applicant: **BIOTIX, INC.**, San Diego, CA (US)
(72) Inventors: **Juan Martin Mendez Padilla**, Tijuana (MX); **Arta Motadel**, San Diego, CA (US); **Peter Paul Blaszcak**, San Diego, CA (US)

(73) Assignee: **Biotix, Inc.**, San Diego, CA (US)

(**) Term: **15 Years**

(21) Appl. No.: **29/592,990**

(22) Filed: **Feb. 3, 2017**

(51) **LOC (11) Cl.** **24-01**

(52) **U.S. Cl.**
USPC **D24/229**

(58) **Field of Classification Search**
USPC D24/108, 127-130, 216, 222, 224-232;
422/63, 65, 250, 266, 297, 300, 476, 526,
422/562, 564; 211/69, 71-72, 74, 71.01,
211/85.18; 206/562, 508, 723; 414/404;
221/92

CPC B01L 9/543; B01L 2200/025; G01N
2035/103; G01N 2035/0427

See application file for complete search history.

(56) **References Cited**

U.S. PATENT DOCUMENTS

3,247,602	A *	4/1966	Hamilton	F26B 5/06 165/186
D632,803	S *	2/2011	Motadel	D24/229
8,470,265	B2	6/2013	Motadel et al.		
D699,370	S *	2/2014	Motadel	D24/229
D699,859	S *	2/2014	Motadel	D24/227
D718,470	S *	11/2014	So	D24/224
D724,236	S *	3/2015	Motadel	D24/227
9,089,845	B2 *	7/2015	Motadel	B01L 9/543
D767,783	S *	9/2016	McClelland	D24/227
9,486,803	B2	11/2016	Motadel et al.		

2006/0133965	A1 *	6/2006	Tajima	G01N 35/1009 422/400
2007/0105214	A1 *	5/2007	Micklsh, II	C12M 45/02 435/306.1
2011/0236278	A1 *	9/2011	Motadel	B01L 9/543 422/560
2012/0058479	A1 *	3/2012	Gisler	G01N 35/00732 435/6.12
2016/0167041	A1	6/2016	Curry et al.		

(Continued)

FOREIGN PATENT DOCUMENTS

WO	WO 2006/133440	12/2006
WO	WO 2010/008737	1/2010

OTHER PUBLICATIONS

Tip Eject Reload, posted at biotix.com, no posting date available, online, URL: <http://biotix.com/innovation/packaging/tip-eject-reload/?hsCtaTracking=91ace01a-a571-4807-b747-8714d0f8a979%7Caeda8e0-37e7-4109-9932-4104ce40bce7> (Year: 2018).*

Primary Examiner — Anhdao Doan
Assistant Examiner — Mary Shannon Malley
(74) *Attorney, Agent, or Firm* — Grant IP, Inc.

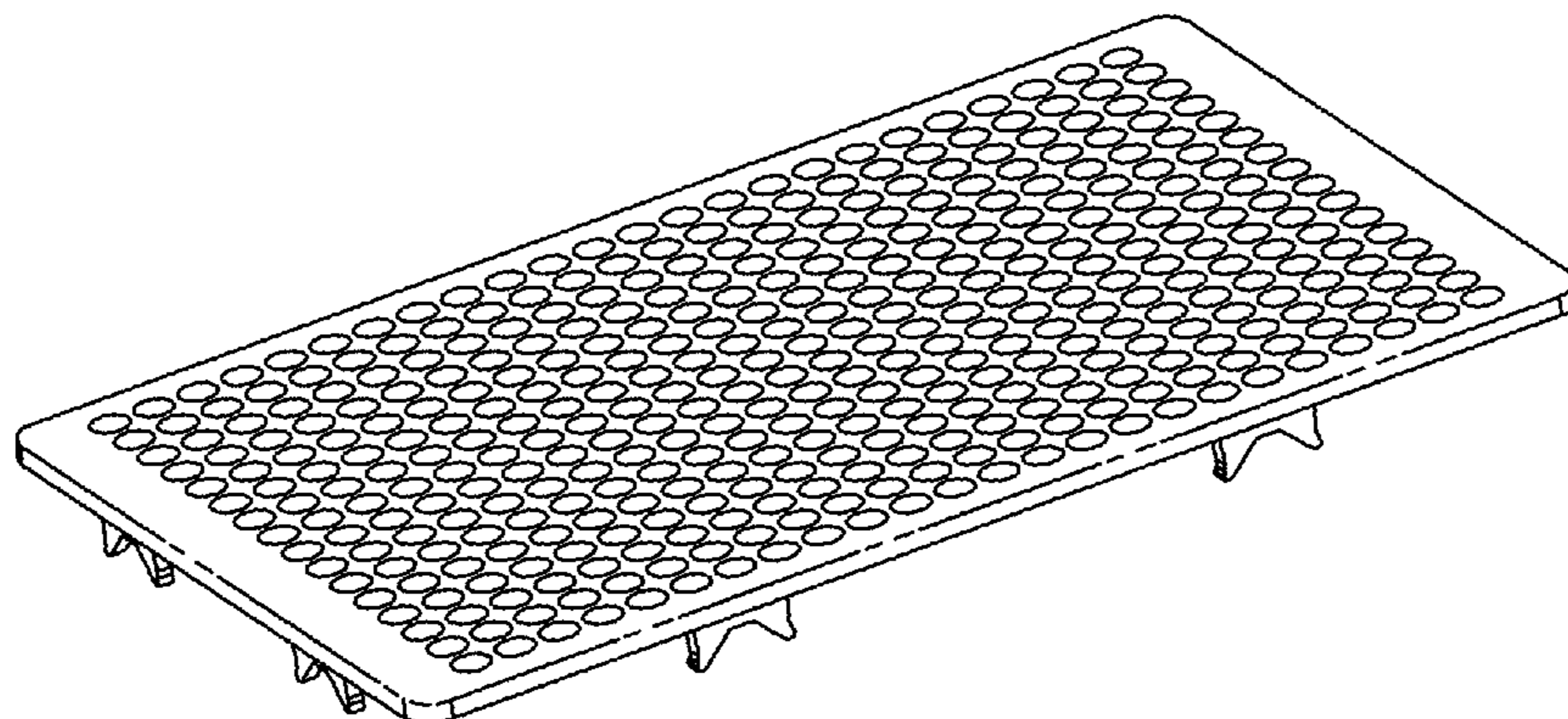
(57) **CLAIM**

The ornamental design for a pipette tip receptacle plate, as shown and described.

DESCRIPTION

FIG. 1 is a top perspective view of a pipette tip receptacle plate;
FIG. 2 is a bottom perspective view of the plate shown in FIG. 1;
FIG. 3 is a top view of the plate shown in FIG. 1;
FIG. 4 is a bottom view of the plate shown in FIG. 1;
FIG. 5 is a longer side view of the plate shown in FIG. 1; and,
FIG. 6 is a shorter side view of the plate shown in FIG. 1.

1 Claim, 3 Drawing Sheets



(56)

References Cited

U.S. PATENT DOCUMENTS

2018/0117595 A1* 5/2018 Curry B01L 9/543
2018/0221884 A1* 8/2018 Mendez B01L 9/543

* cited by examiner

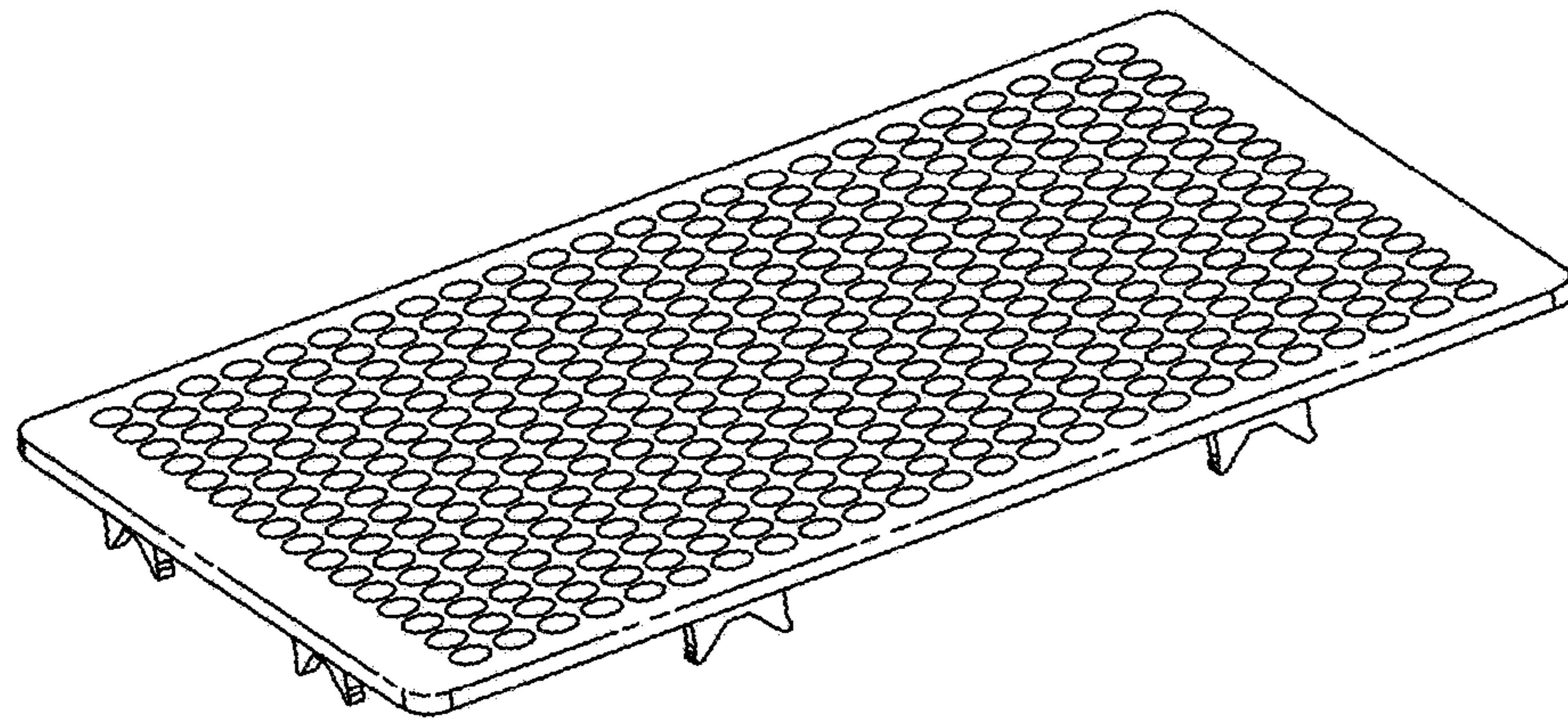


FIG. 1

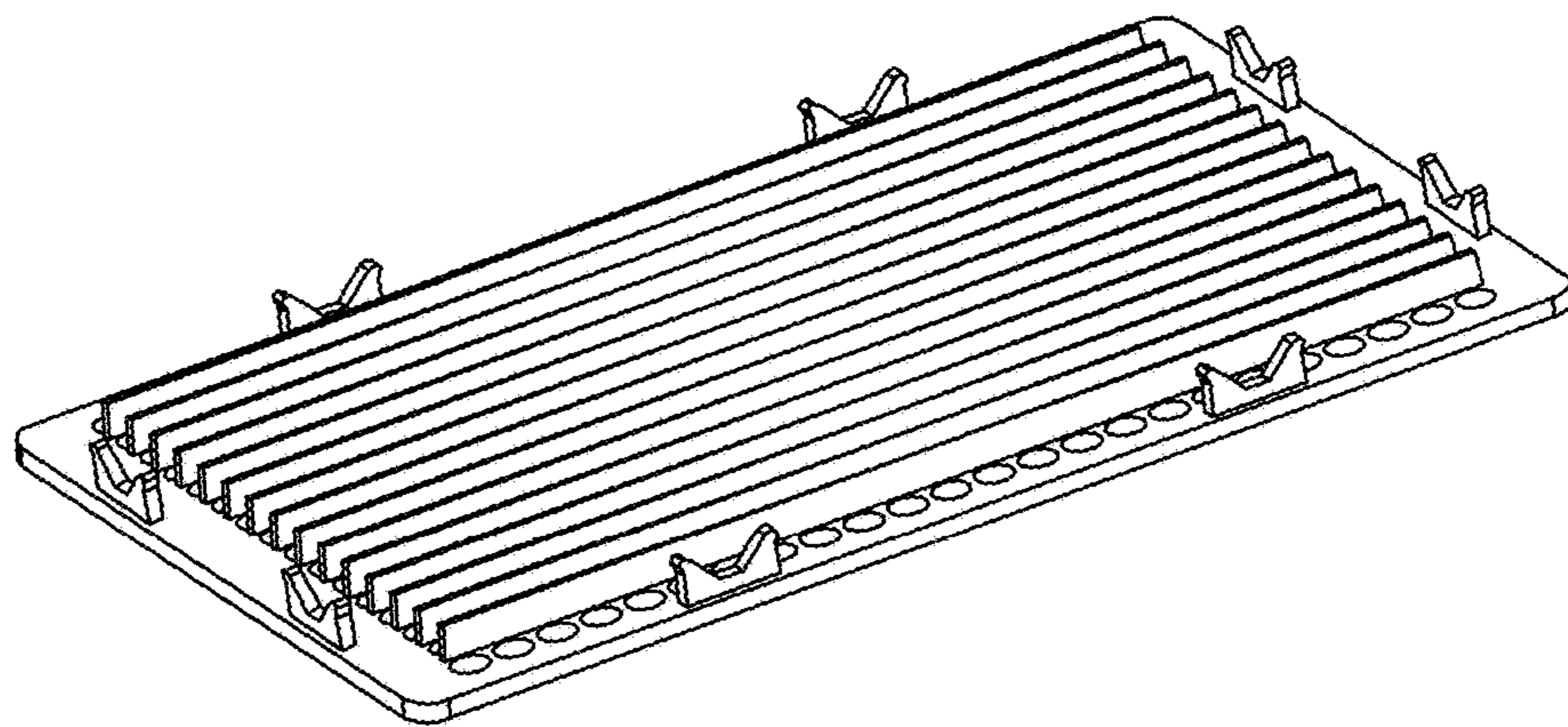


FIG. 2

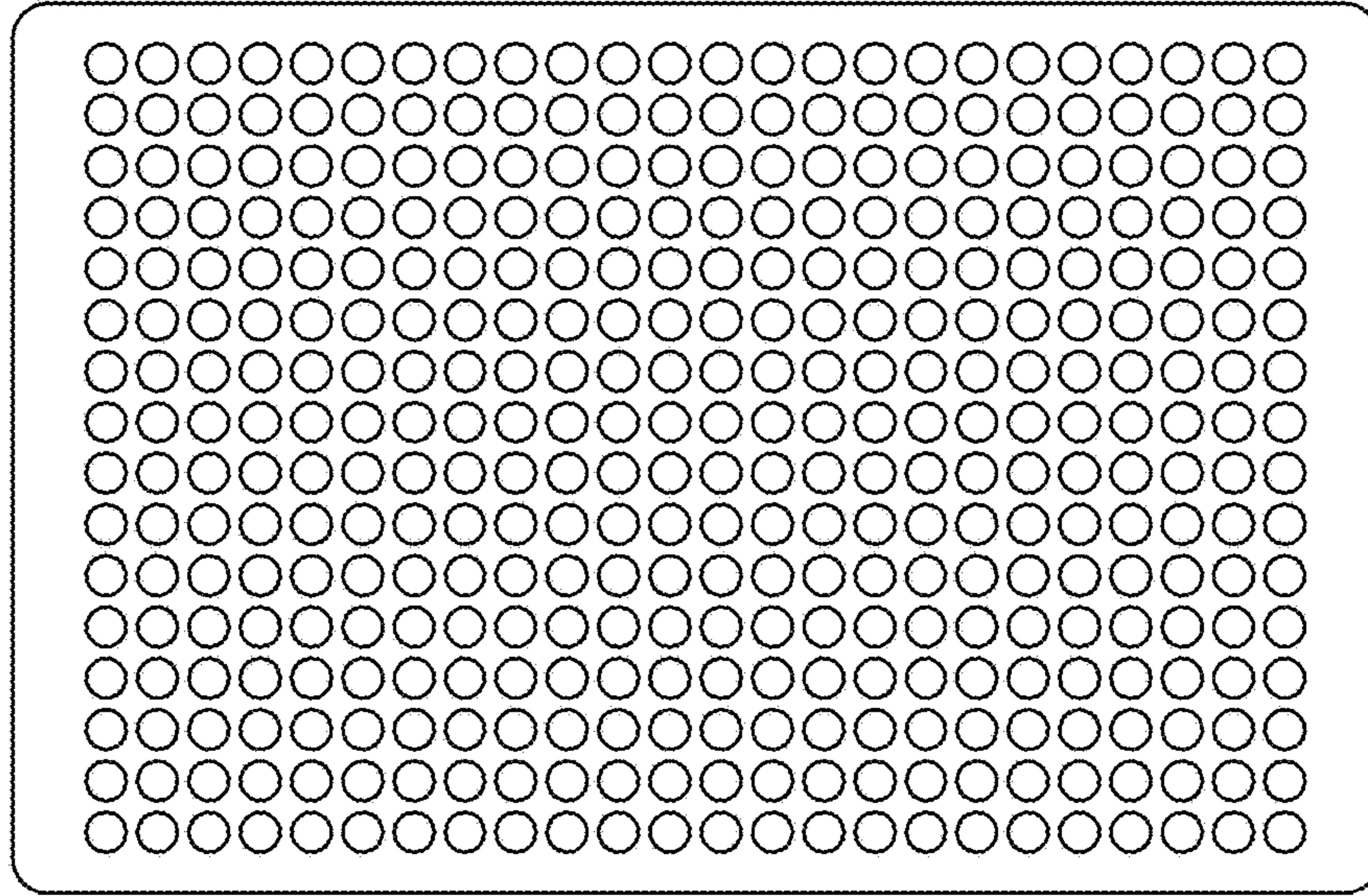


FIG. 3

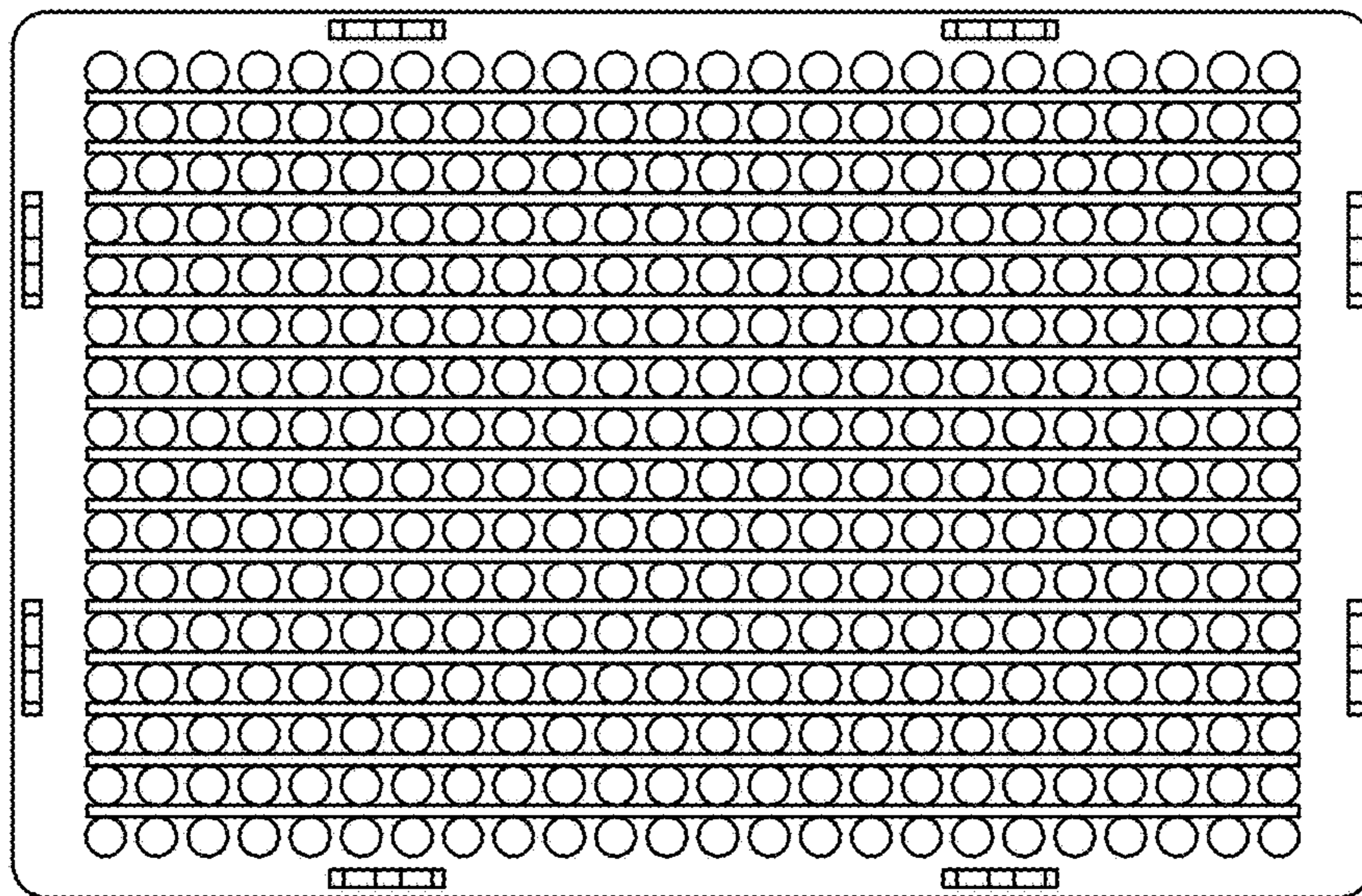


FIG. 4



FIG. 5

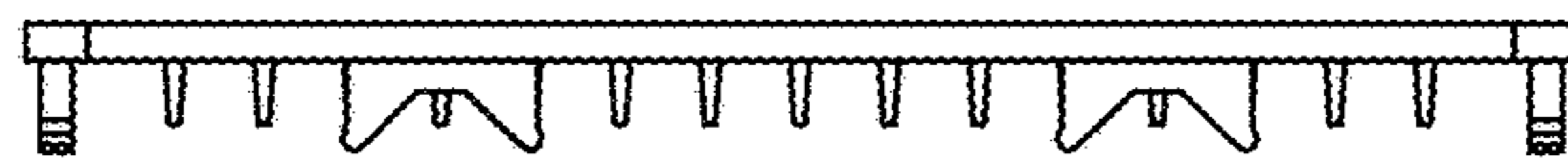


FIG. 6