



US00D854184S

(12) **United States Design Patent** (10) **Patent No.:** **US D854,184 S**
Ito et al. (45) **Date of Patent:** **** Jul. 16, 2019**

(54) **SUBSTRATE FOR SPECTROSCOPIC ANALYSIS**

B01L 3/502738; B01L 9/06; G01J 3/02;
B41J 32/00; C12Q 1/16

See application file for complete search history.

(71) Applicant: **HAMAMATSU PHOTONICS K.K.**,
Shizuoka (JP)

(56) **References Cited**

(72) Inventors: **Masashi Ito**, Hamamatsu (JP);
Katsumi Shibayama, Hamamatsu (JP);
Kazuto Ofuji, Hamamatsu (JP);
Yoshihiro Maruyama, Hamamatsu (JP)

U.S. PATENT DOCUMENTS

- 3,856,656 A * 12/1974 Brink G01N 27/447
204/616
- 4,227,810 A * 10/1980 Sandrock G01N 21/03
250/576
- 4,294,931 A * 10/1981 Levin C12Q 1/16
206/362
- D273,898 S * 5/1984 Valencia D24/225

(73) Assignee: **HAMAMATSU PHOTONICS K.K.**,
Hamamatsu-shi, Shizuoka (JP)

(Continued)

(**) Term: **15 Years**

Primary Examiner — Rhea Shields

(21) Appl. No.: **35/504,282**

(57) **CLAIM**

(22) Filed: **Jul. 5, 2017**

The ornamental design for a substrate for spectroscopic analysis, as shown and described.

(80) **Hague Agreement Data**

Int. Filing Date: **Jul. 5, 2017**
 Int. Reg. No.: **DM/097060**
 Int. Reg. Date: **Jul. 5, 2017**
 Int. Reg. Pub. Date: **Jan. 5, 2018**

DESCRIPTION

(30) **Foreign Application Priority Data**

Jan. 25, 2017 (JP) 2017-001200

(51) **LOC (11) Cl.** **24-02**

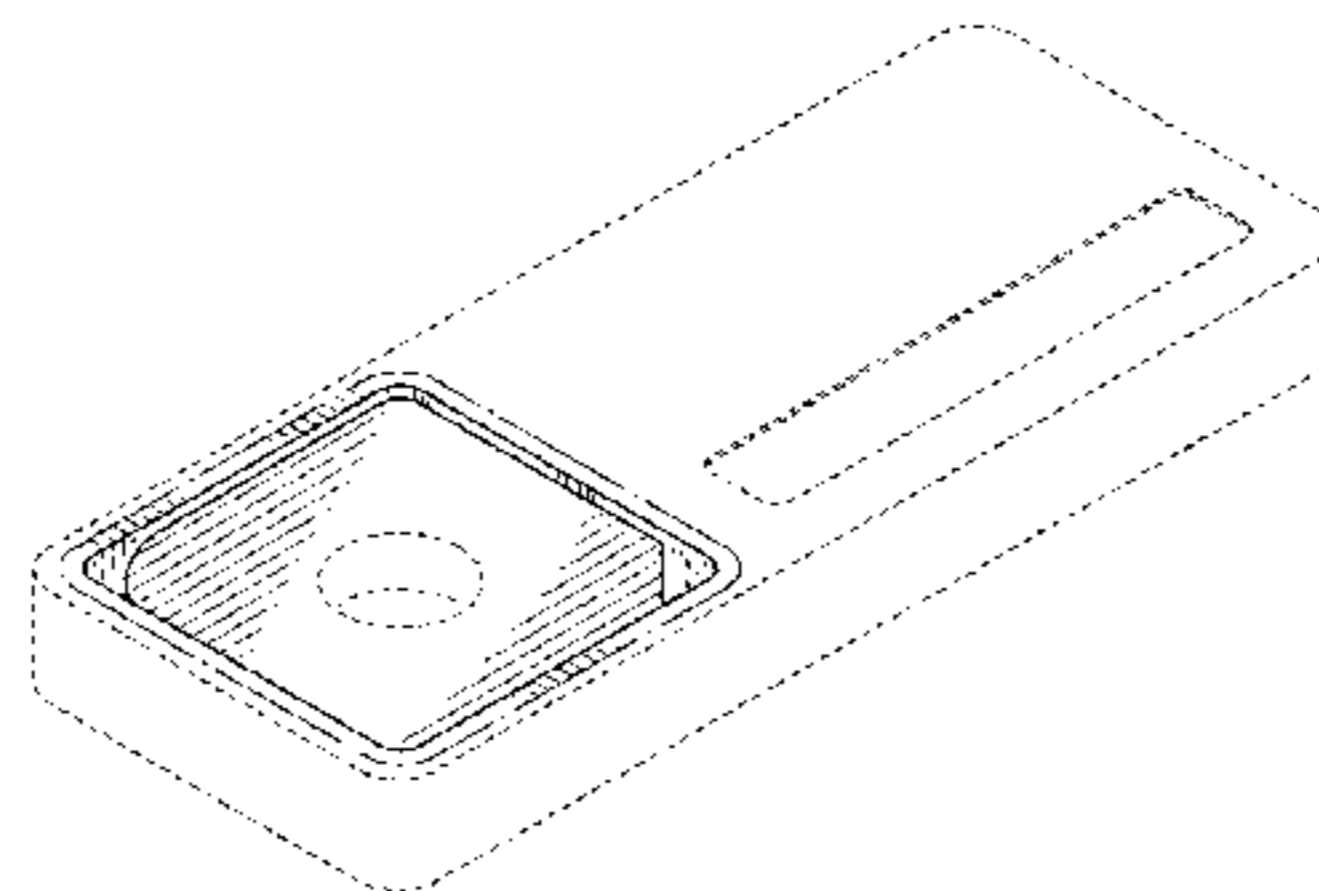
(52) **U.S. Cl.**
USPC **D24/225**

(58) **Field of Classification Search**

USPC D24/225, 216, 126, 189, 155; D10/81;
 D19/26; 356/41, 246, 301, 328;
 206/569, 362, 616, 558, 456; 422/412,
 422/537, 420, 408, 534; 435/7.92;
 211/74; 600/509; 250/576; 359/396;
 400/212
 CPC A61B 10/0045; A61B 5/0404; A47J
 27/21158; A61M 5/3205; G01N 21/658;
 G01N 1/30; G01N 21/03; G01N
 33/54366; B65D 85/48; B01L 3/5085;

- 1. Substrate for spectroscopic analysis
 - 1.1 : Perspective
 - 1.2 : Front
 - 1.3 : Back
 - 1.4 : Top
 - 1.5 : Bottom
 - 1.6 : Left
 - 1.7 : Right
 - 1.8 : Sectional view taken along the line 1.8-1.8 of Reproduction 1.2
 - 1.9 : Sectional view taken along the line 1.9-1.9 of Reproduction 1.2
 - 1.10 : Perspective view without the cover part
 - 1.11 : Reference view showing the state in use
- In the Reproductions, the broken lines are for the purpose of illustrating environment only and form no part of the claimed design. The dot-dash broken lines are for the purpose of showing the boundaries of the claim and form no part of the claimed design.

1 Claim, 11 Drawing Sheets



(56)

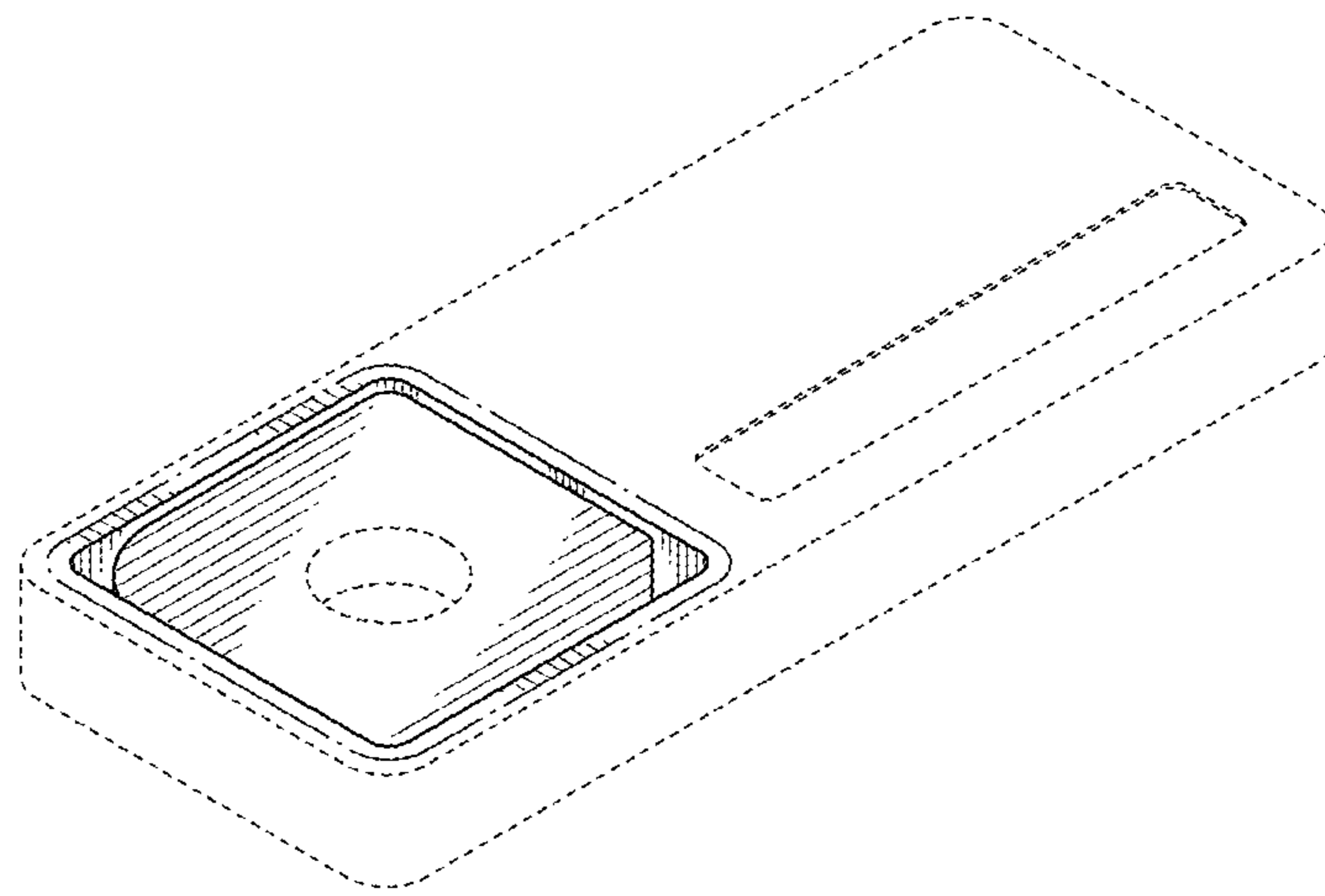
References Cited

U.S. PATENT DOCUMENTS

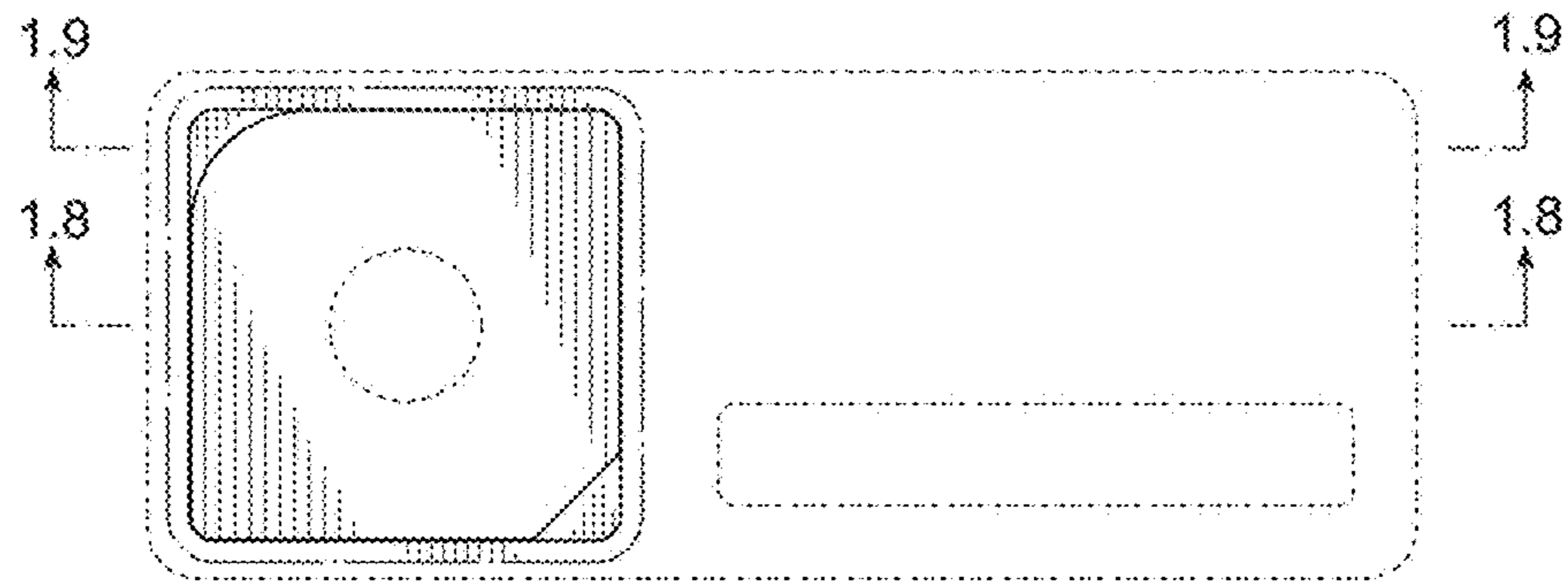
D290,042 S *	5/1987	Ford	D24/225	D418,228 S *	12/1999	Fisch	D24/225
4,761,381 A *	8/1988	Blatt	B01L 3/502738	D431,300 S *	9/2000	Fisch	D24/225
				356/246	6,372,514 B1 *	4/2002	Lee	G01N 33/54366
4,777,964 A *	10/1988	Briggs	A61B 5/150022					422/408
				206/569	D500,142 S *	12/2004	Crisanti	D24/216
4,819,804 A *	4/1989	Levy	B65D 85/48	D530,826 S *	10/2006	Rich	D24/225
				206/456	D531,321 S *	10/2006	Godfrey	D24/225
4,857,453 A *	8/1989	Ullman	G01N 33/54366	D569,990 S *	5/2008	Fisch	D24/225
				435/7.92	D631,166 S *	1/2011	Leffew	D24/189
4,943,522 A *	7/1990	Eisinger	G01N 33/54386	D692,578 S *	10/2013	Kikuhara	D24/216
				422/537	D733,911 S *	7/2015	Ito	D24/225
4,981,786 A *	1/1991	Dafforn	G01N 33/5302	D733,912 S *	7/2015	Ito	D24/225
				422/412	D733,913 S *	7/2015	Ito	D24/225
5,002,062 A *	3/1991	Suzuki	A61B 5/0404	D735,878 S *	8/2015	Chang	D24/216
				600/509	D739,954 S *	9/2015	Ito	D24/225
5,075,078 A *	12/1991	Osikowicz	G01N 33/54366	D740,439 S *	10/2015	Ito	D24/225
				422/420	D740,440 S *	10/2015	Ito	D24/225
5,217,012 A *	6/1993	Young	A61B 5/02427	D750,799 S *	3/2016	Ito	D24/225
				356/41	D750,800 S *	3/2016	Ito	D24/225
5,451,112 A *	9/1995	Ito	B41J 32/00	D754,871 S *	4/2016	Morrell-Falvey	D24/225
				400/212	D762,874 S *	8/2016	Ito	D24/225
5,484,572 A *	1/1996	Katakura	A61B 10/0045	D772,424 S *	11/2016	Kram	D24/216
				422/534	D774,189 S *	12/2016	Wolfe	D24/126
5,484,731 A *	1/1996	Stevens	B01L 3/5085	D800,912 S *	10/2017	Uzri	D24/216
				206/558	D812,502 S *	3/2018	Yokino	D10/81
5,525,304 A *	6/1996	Matsson	B01L 9/06	D819,209 S *	5/2018	DaCosta	D24/155
				211/74	D825,360 S *	8/2018	Ito	D10/81
D383,215 S *	9/1997	Levy	D19/26	D829,117 S *	9/2018	Hirose	D10/81
5,812,312 A *	9/1998	Lorincz	G01N 1/30	D829,582 S *	10/2018	Hirose	D10/81
				359/396	2011/0141469 A1 *	6/2011	Shibayama	G01J 3/02
									356/328
					2016/0061736 A1 *	3/2016	Ito	G01N 21/658
									356/301
					2018/0136134 A1 *	5/2018	Shibayama	G01N 21/658

* cited by examiner

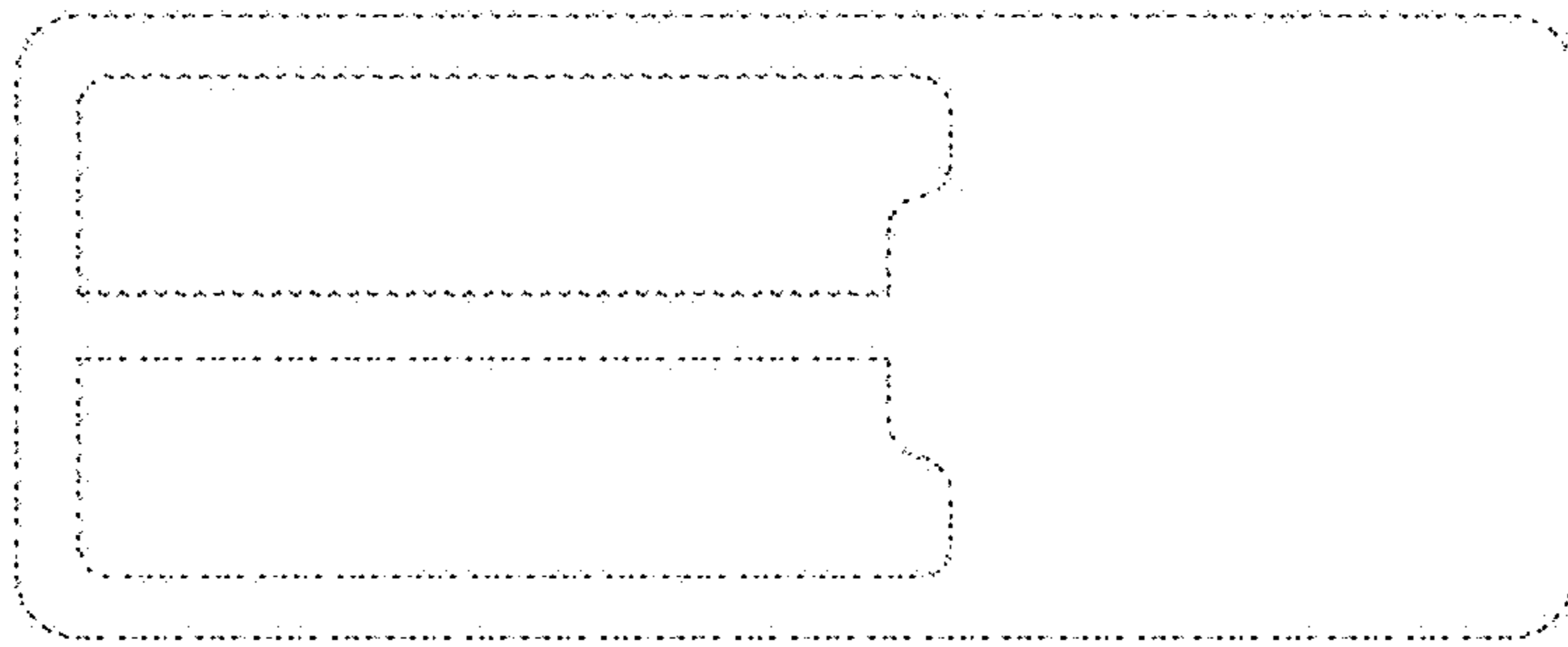
1.1



1.2



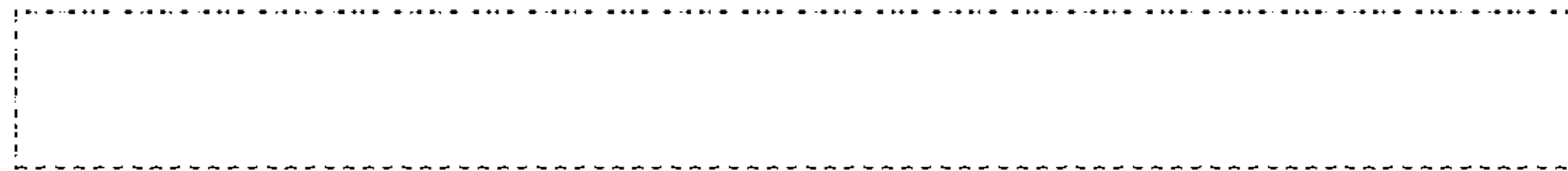
1.3



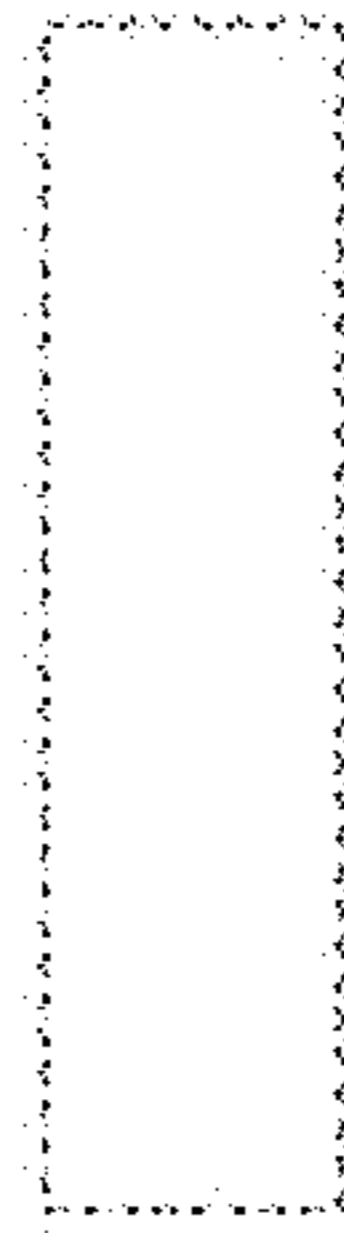
1.4



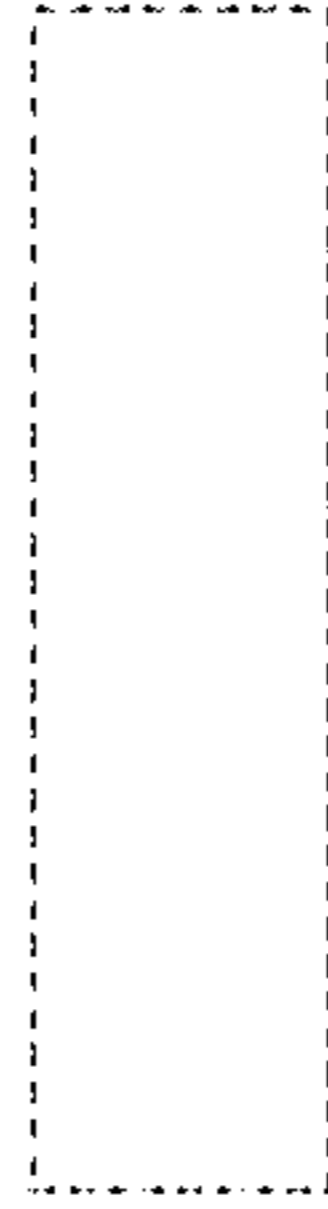
1.5



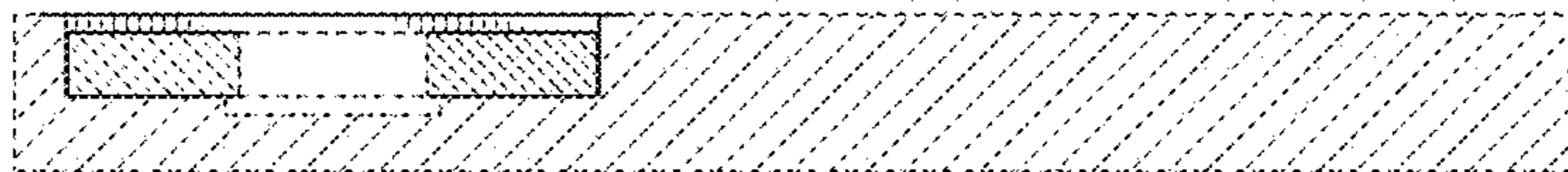
1.6



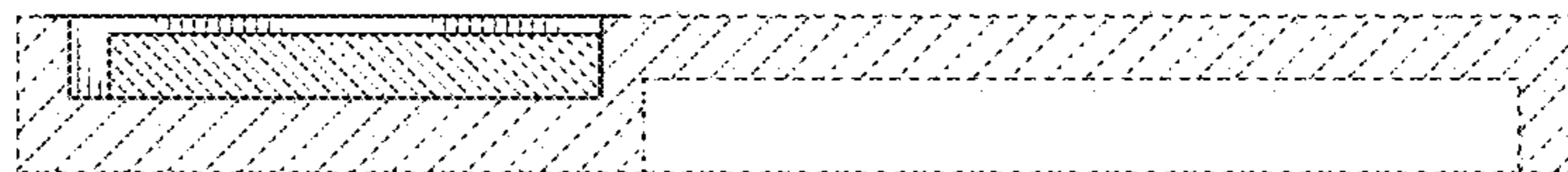
1.7



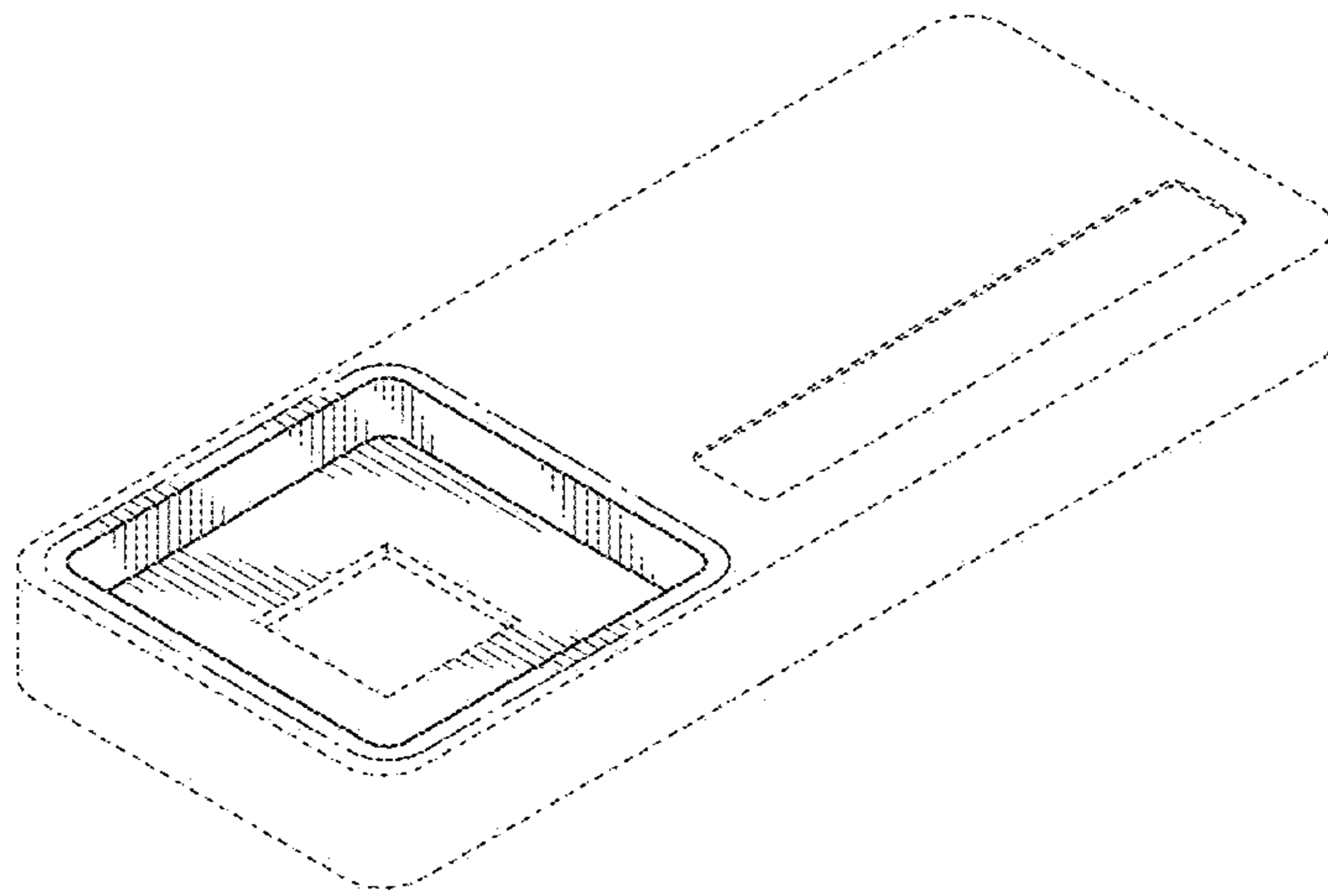
1.8



1.9



1.10



1.11

