



US00D854183S

(12) **United States Design Patent** (10) **Patent No.:** **US D854,183 S**
Murray (45) **Date of Patent:** **** Jul. 16, 2019**

(54) **VIAL**
(71) Applicant: **Pouch Pac Innovations, LLC,**
Sarasota, FL (US)
(72) Inventor: **R. Charles Murray,** Sarasota, FL (US)
(73) Assignee: **Pouch Pac Innovations, LLC,**
Sarasota, FL (US)

D675,534 S * 2/2013 Weiler D9/435
D687,320 S * 8/2013 Lee D9/723
D687,545 S * 8/2013 March D24/115
D731,642 S * 6/2015 Cehajic B65D 1/095
D24/115
9,108,777 B1 * 8/2015 Santamarta B65D 50/066
D807,759 S * 1/2018 Son D9/697

(**) Term: **15 Years**

(21) Appl. No.: **29/586,636**
(22) Filed: **Dec. 6, 2016**
(51) **LOC (11) Cl.** **24-02**
(52) **U.S. Cl.**
USPC **D24/224**
(58) **Field of Classification Search**
USPC D24/115, 117, 141, 216–230; D10/46,
D10/81; D9/529, 695–699
CPC ... A61J 1/00; A61J 1/14; A61J 1/2096; A61B
5/150732; B65B 3/003; B01L 3/50825
See application file for complete search history.

FOREIGN PATENT DOCUMENTS

JP D2013-10418 * 5/2013

OTHER PUBLICATIONS

R. Charles Murray, U.S. Appl. No. 29/588,191, filed Dec. 19, 2016.

* cited by examiner

Primary Examiner — Karen S Acker
Assistant Examiner — Omeed Agilee
(74) *Attorney, Agent, or Firm* — Dinsmore & Shohl LLP

(57) **CLAIM**

The ornamental design for a vial, as shown and described.

DESCRIPTION

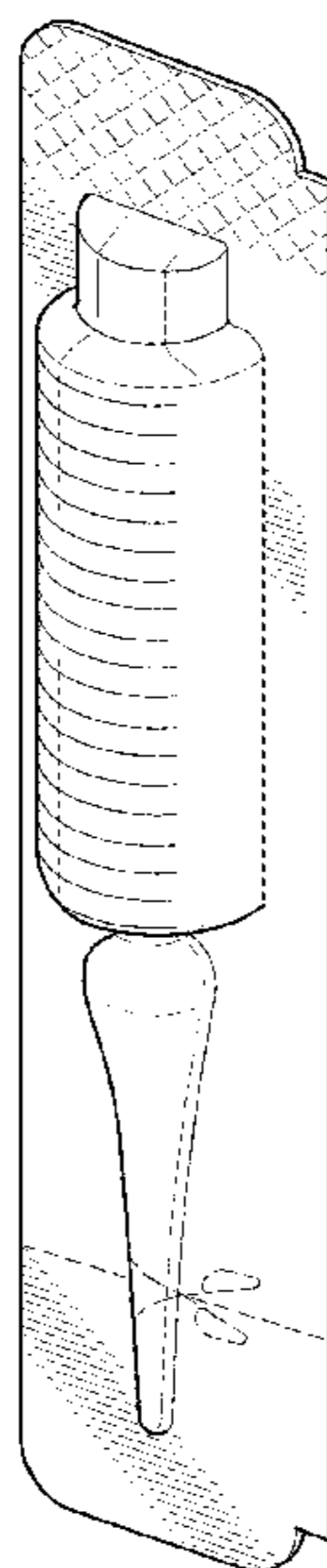
FIG. 1 is a perspective view of the front and right side of a vial showing a first embodiment of my new design; FIG. 2 is a bottom plan-view thereof; FIG. 3 is a front elevational view thereof; FIG. 4 is a top plan view thereof; FIG. 5 is a right side elevational view thereof; FIG. 6 is a back elevational thereof; FIG. 7 is a left side elevational view thereof; FIG. 8 is a front elevational view of a vial showing a second embodiment of my new design; and, FIG. 9 is front elevational view of a vial showing a third embodiment of my new design. The broken lines in the drawings depict environmental subject matter that forms no part of the claimed design.

(56) **References Cited**

U.S. PATENT DOCUMENTS

D258,534 S * 3/1981 Nagel D24/224
D259,213 S * 5/1981 Pagels D24/224
D296,869 S * 7/1988 Bauwens D9/696
D312,209 S * 11/1990 Morrow D9/443
D347,277 S * 5/1994 Snedden D24/115
D362,304 S * 9/1995 Wilson D24/224
D392,184 S * 3/1998 Weiler D9/696
D471,628 S * 3/2003 Louviere D24/115
D517,207 S * 3/2006 Poynter D24/115
D554,527 S * 11/2007 Oliver D9/696
D565,193 S * 3/2008 Price D24/224
D596,740 S * 7/2009 Poynter D24/115
D672,051 S * 12/2012 Rannikko D24/224

1 Claim, 3 Drawing Sheets



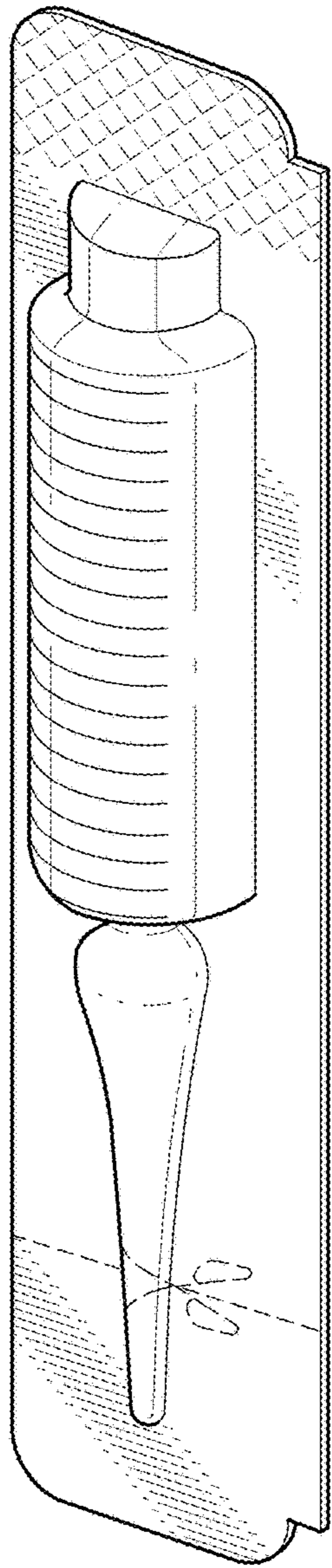


Fig-1

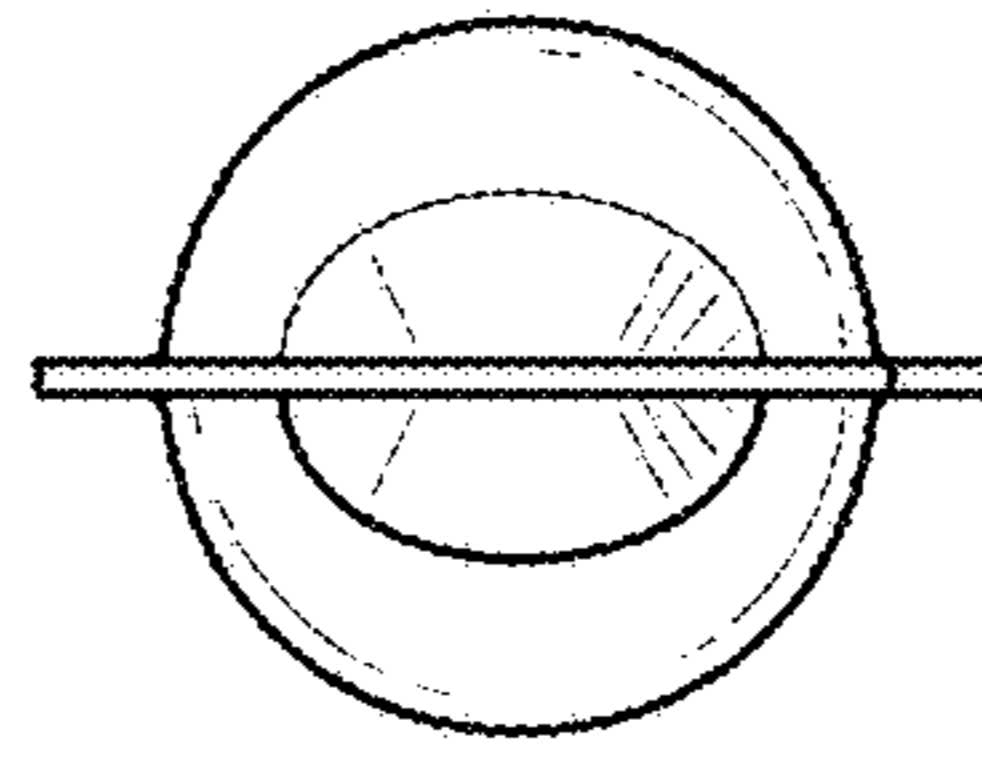


Fig-2

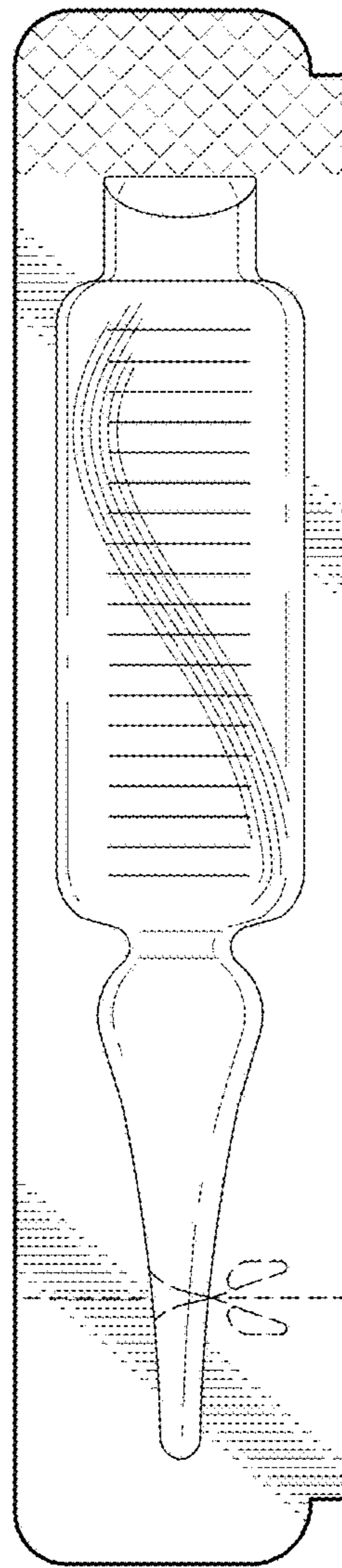


Fig-3

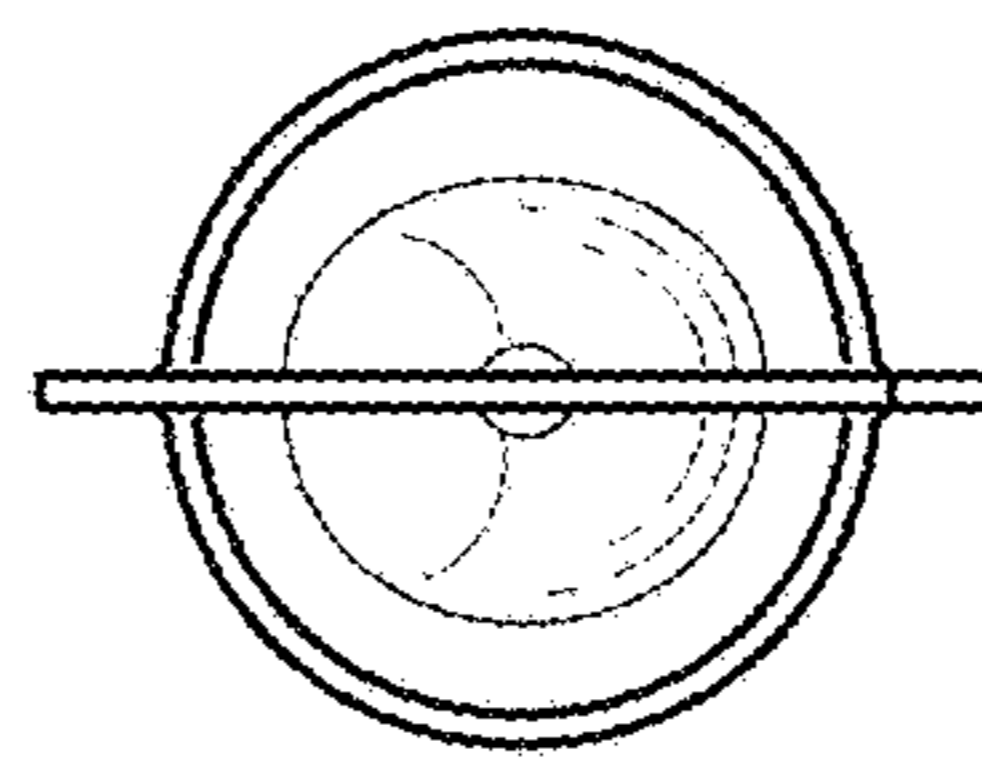


Fig-4

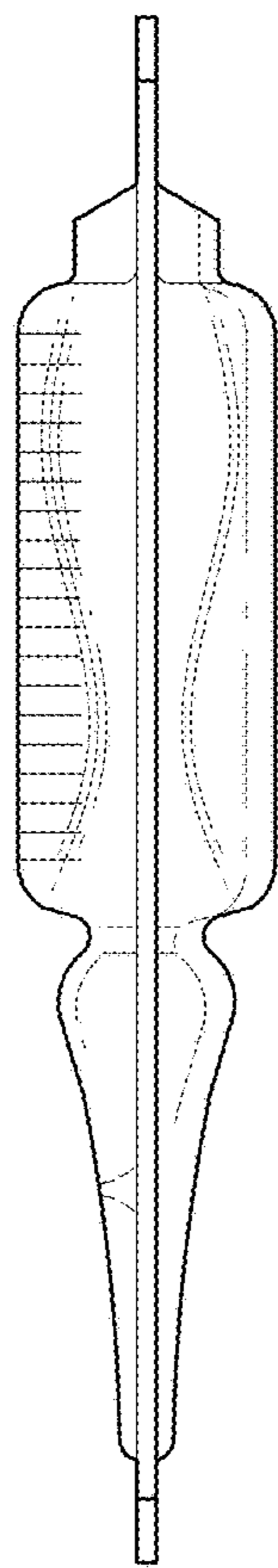


Fig-5

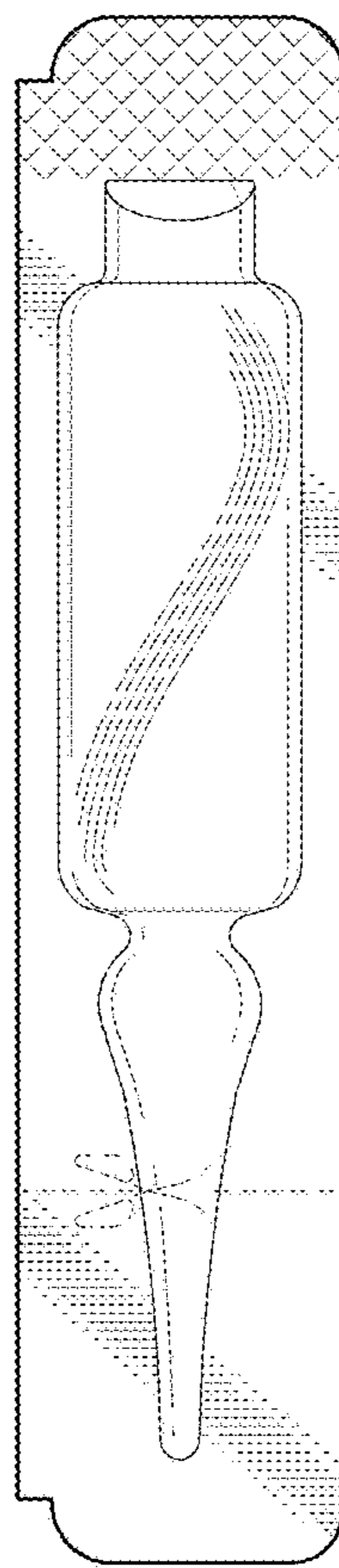


Fig-6

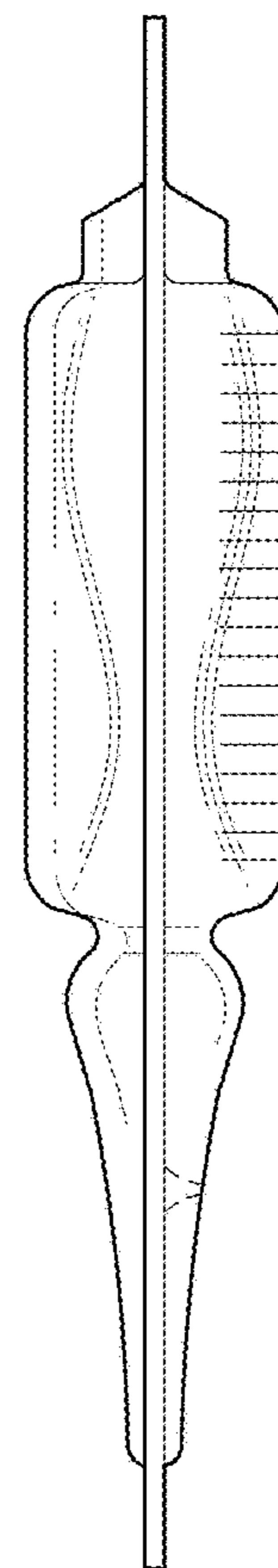


Fig-7

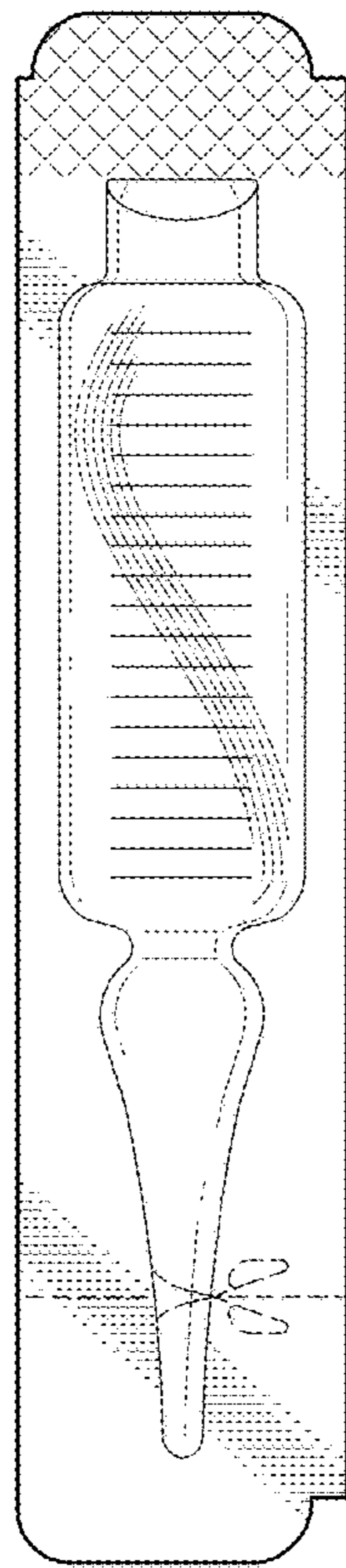


Fig-8

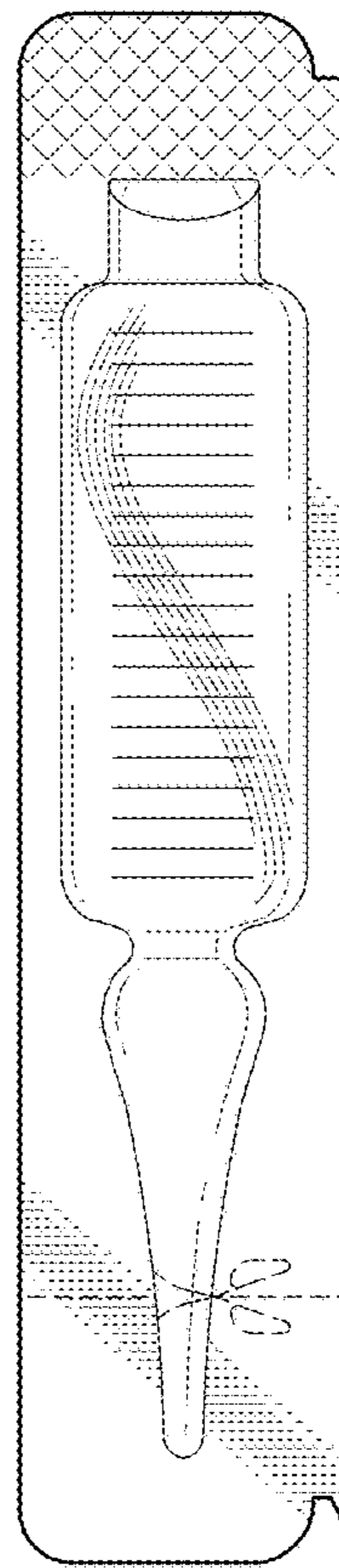


Fig-9