



US00D854182S

(12) **United States Design Patent** (10) **Patent No.:** **US D854,182 S**  
**Accurso** (45) **Date of Patent:** **\*\* Jul. 16, 2019**

(54) **BOTTLE CAP**

(71) Applicant: **Abbott Laboratories**, Abbott Park, IL (US)

(72) Inventor: **Roger W. Accurso**, Fremont, CA (US)

(\*\*) Term: **15 Years**

(21) Appl. No.: **29/531,460**

(22) Filed: **Jun. 25, 2015**

**Related U.S. Application Data**

(63) Continuation of application No. 14/137,209, filed on Dec. 20, 2013, now Pat. No. 9,403,629.

(51) **LOC (11) Cl.** ..... **24-02**

(52) **U.S. Cl.**  
USPC ..... **D24/224**

(58) **Field of Classification Search**  
 USPC ..... D24/110, 127, 129, 158, 224, 227, 229, D24/231; D9/434-436, 440, 443-445, D9/447, 452-454, 499, 560; D7/392.1; D18/40; 422/141, 547-559, 568; 215/28, 222, 232, 228, 272, 277, 301, 215/316; 220/210, 832  
 CPC ..... B01L 2200/025; B01L 2300/044; B01L 3/523; B01L 3/50825; B65D 1/02; B65D 1/06; B65D 1/08; B65D 1/10; B65D 2501/0081; B65D 41/04; B65D 41/06; B65D 41/36; B65D 47/247; B65D 47/0861; B65D 47/30; B65D 5/746; B65D 50/043; B65D 50/06; B65D 51/00224; B65D 51/245; B65D 77/065; G06Q 30/02; G06Q 30/0207; G06Q 30/0251; G09F 3/0288; G09F 3/0289

See application file for complete search history.

(56) **References Cited**

**U.S. PATENT DOCUMENTS**

D240,595 S	7/1976	Kress	
D280,385 S	9/1985	Dinand	
4,764,342 A	8/1988	Kelln et al.	
4,770,854 A	9/1988	Lyman	
D318,804 S *	8/1991	Ochs	D9/453
5,145,646 A *	9/1992	Tyranski	B01L 3/50825 422/547
5,262,049 A	11/1993	Ferkany	
5,346,099 A *	9/1994	Salmon	B65D 47/0861 220/832
5,413,246 A	5/1995	Godolphin et al.	
D363,429 S	10/1995	Lee	
D383,214 S *	9/1997	Brennan	D24/224
D389,586 S *	1/1998	Brennan	D24/224
5,811,060 A	9/1998	Laguna	
D402,765 S *	12/1998	Smith	D24/227
D419,071 S	1/2000	Peters	

(Continued)

**FOREIGN PATENT DOCUMENTS**

EP	2559997	2/2013
JP	53-74984 S	7/1978

(Continued)

*Primary Examiner* — Ian Simmons  
*Assistant Examiner* — Samantha Q Lawrence  
 (74) *Attorney, Agent, or Firm* — Edward J. Baba;  
 Bozicevic, Field & Francis LLP

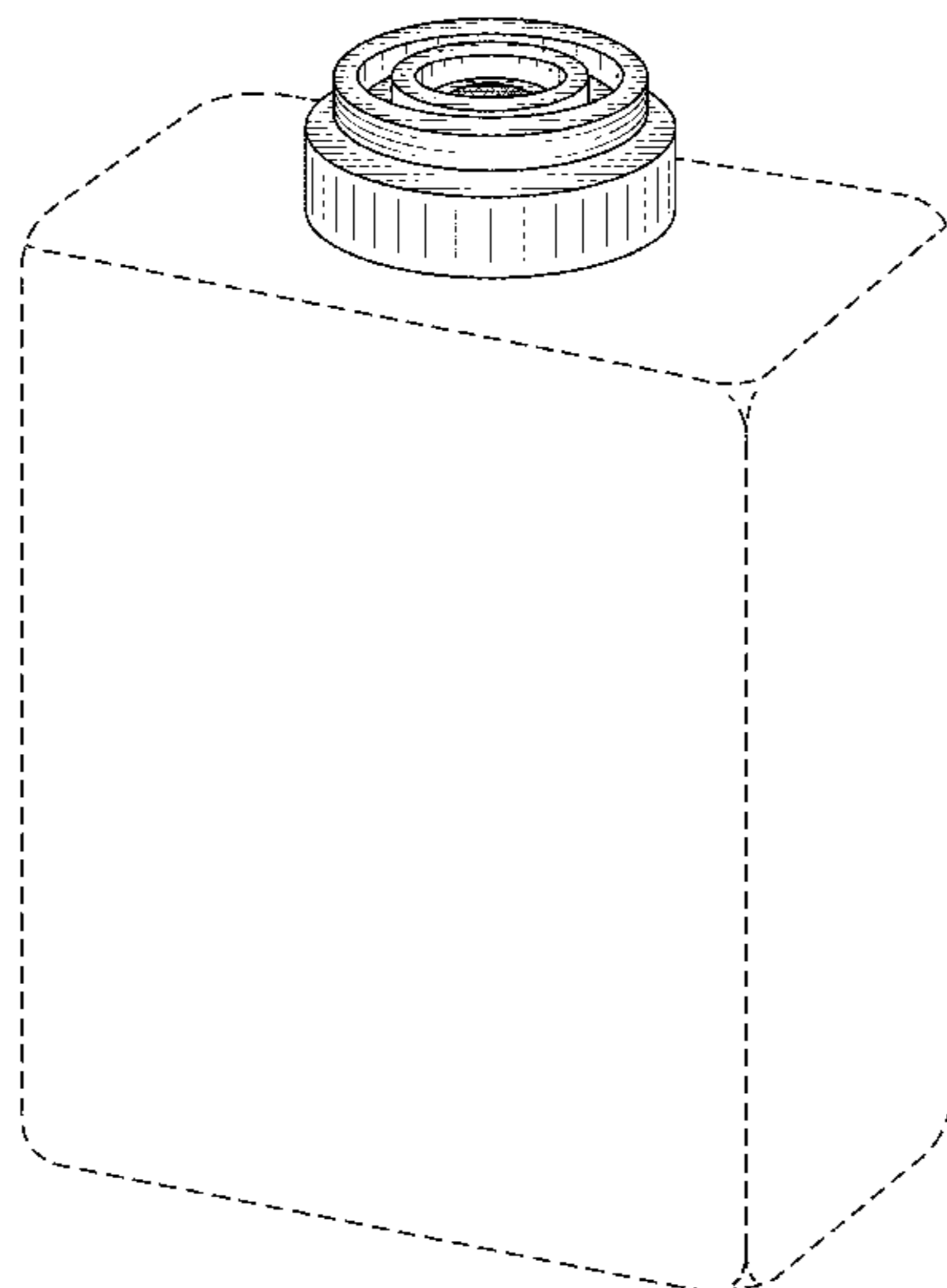
(57) **CLAIM**

The ornamental design for bottle cap, as shown and described.

**DESCRIPTION**

FIG. 1 is a perspective view of the bottle cap showing our new design; and,  
 FIG. 2 is a top view of the bottle cap.  
 The broken lines are included for the purpose of illustrating unclaimed portions and form no part of the claimed design.

**1 Claim, 2 Drawing Sheets**



(56)

References Cited

U.S. PATENT DOCUMENTS

D421,116 S \* 2/2000 Mattila ..... D24/110  
 6,109,480 A 8/2000 Monsrud et al.  
 D431,005 S 9/2000 Jentjen  
 D434,847 S \* 12/2000 Baribeau ..... D24/110  
 D435,061 S \* 12/2000 Ohtsuka ..... D18/40  
 6,193,933 B1 2/2001 Sasaki et al.  
 6,265,225 B1 \* 7/2001 Otto ..... B01L 3/50825  
 422/568  
 6,386,392 B1 5/2002 Argentieri et al.  
 6,446,823 B2 \* 9/2002 Miceli ..... B65D 41/06  
 215/222  
 D466,400 S 12/2002 Garcia  
 6,517,780 B1 2/2003 Cortelazzo  
 6,523,709 B2 2/2003 Miceli et al.  
 6,599,477 B1 7/2003 Miyake et al.  
 D480,640 S \* 10/2003 Oyama ..... D24/129  
 D481,801 S \* 11/2003 Whitley ..... D24/224  
 D484,419 S 12/2003 Potocki et al.  
 D492,596 S 7/2004 Miceli et al.  
 D500,681 S 1/2005 Uchiyama  
 D515,940 S 2/2006 Kratko  
 D527,632 S 9/2006 Romer  
 D571,199 S 6/2008 Petrosino  
 D574,708 S 8/2008 Reed  
 D584,632 S 1/2009 Lloyd et al.  
 D596,491 S 7/2009 Rica  
 D600,133 S 9/2009 Friedman et al.  
 7,648,037 B2 \* 1/2010 Ohashi ..... B65D 47/30  
 215/301  
 7,799,560 B2 9/2010 Wilson et al.  
 D630,943 S \* 1/2011 Pontes ..... D9/454  
 D642,057 S \* 7/2011 Reed ..... D9/453  
 8,100,297 B1 1/2012 Anish et al.  
 8,318,111 B2 11/2012 Mingerink et al.  
 8,337,780 B2 12/2012 Gaskins et al.

D680,001 S 4/2013 Miceli et al.  
 D680,004 S 4/2013 Lecetre et al.  
 D680,877 S 4/2013 Ghandour  
 D689,774 S 9/2013 Ford et al.  
 D691,890 S 10/2013 Ford et al.  
 8,652,424 B2 2/2014 Unger et al.  
 D709,766 S 7/2014 Miceli et al.  
 D712,739 S 9/2014 Lapsker  
 8,881,988 B2 11/2014 Miceli et al.  
 D723,917 S 3/2015 Koffel  
 D732,959 S 6/2015 Branstad  
 D751,408 S 3/2016 Baron et al.  
 D751,899 S 3/2016 Chu  
 D760,384 S \* 6/2016 Niunoya ..... D24/127  
 9,403,629 B2 8/2016 Accurso  
 2003/0231988 A1 12/2003 Chiarin  
 2004/0013575 A1 1/2004 Stevens et al.  
 2006/0163869 A1 \* 7/2006 Adler ..... G09F 3/0288  
 283/81  
 2007/0246438 A1 10/2007 Chen  
 2008/0262930 A1 \* 10/2008 Miceli ..... G06Q 30/02  
 705/14.1  
 2009/0028752 A1 1/2009 Bala  
 2009/0230075 A1 \* 9/2009 Springer ..... B65D 47/247  
 215/228  
 2010/0254859 A1 10/2010 Chiarin et al.  
 2012/0252134 A1 10/2012 Galiano  
 2013/0045540 A1 2/2013 Collier et al.  
 2013/0209993 A1 8/2013 Aronowitz  
 2014/0263316 A1 9/2014 Accurso

FOREIGN PATENT DOCUMENTS

JP 58-501367 T 8/1983  
 JP 10-063078 A 3/1998  
 JP 2009-204525 A 9/2009  
 WO 2012013970 2/2012

\* cited by examiner

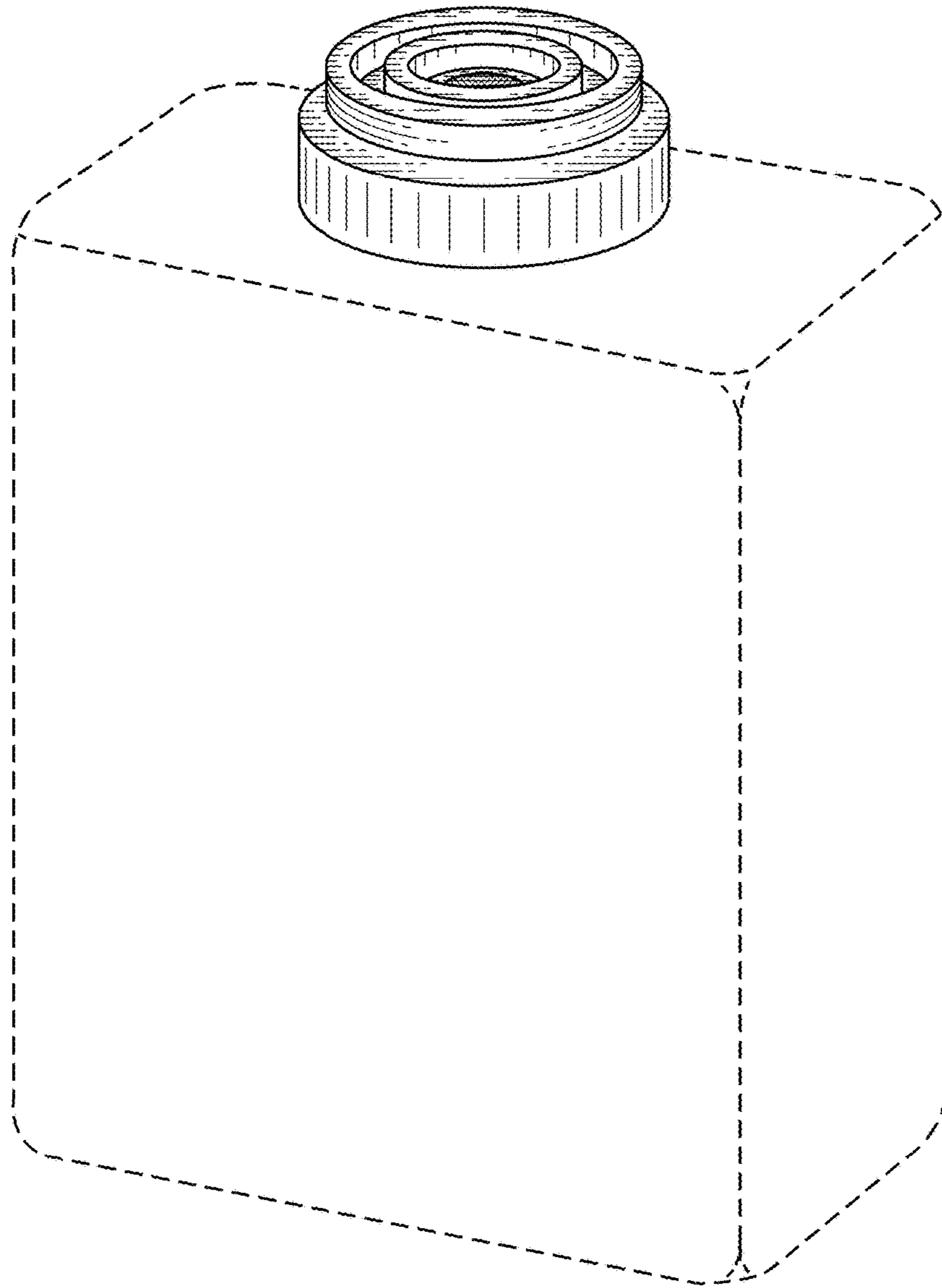


FIG. 1

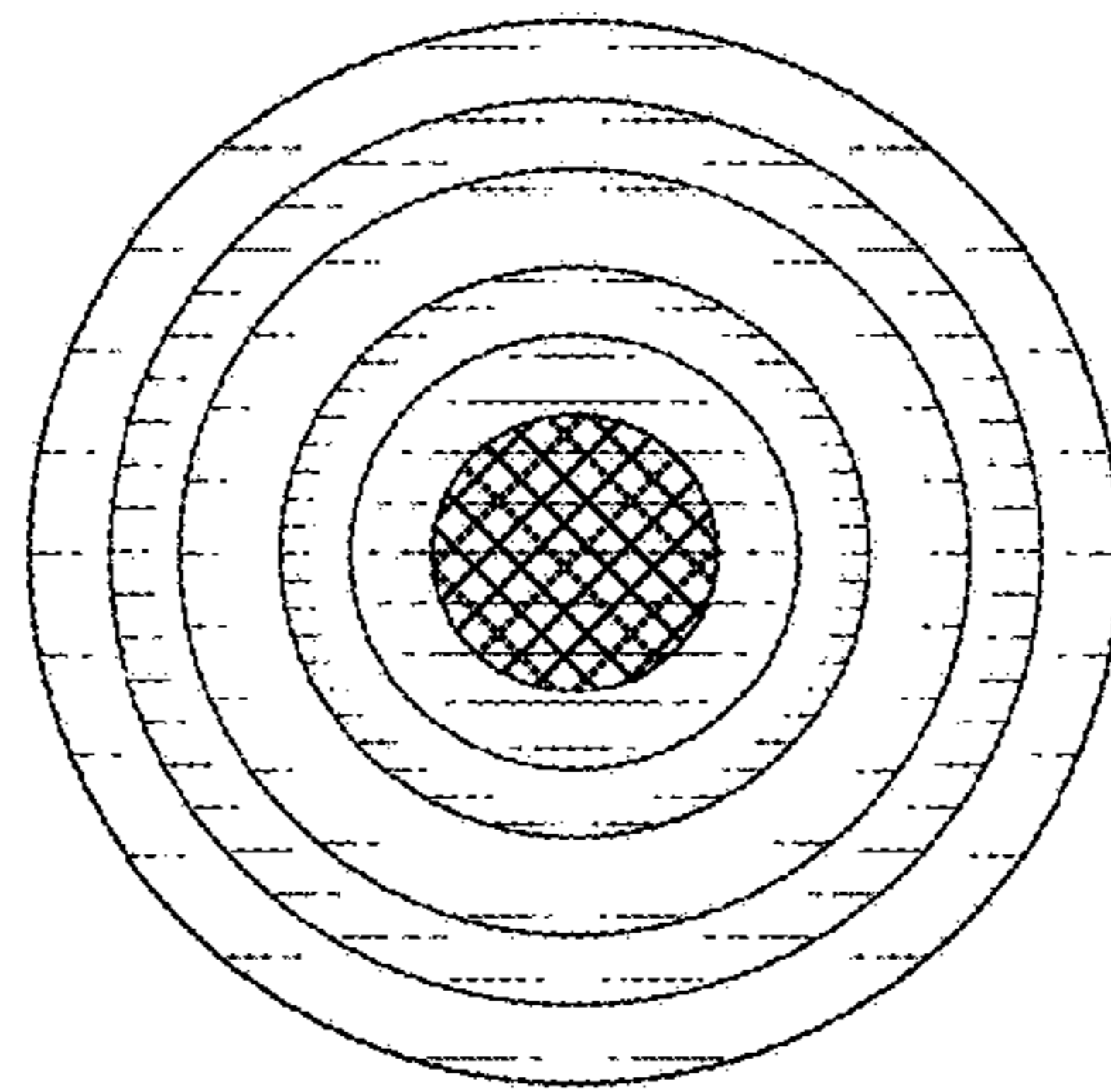


FIG. 2

UNITED STATES PATENT AND TRADEMARK OFFICE  
**CERTIFICATE OF CORRECTION**

PATENT NO. : D854,182 S  
APPLICATION NO. : 29/531460  
DATED : July 16, 2019  
INVENTOR(S) : Roger W. Accurso

Page 1 of 1

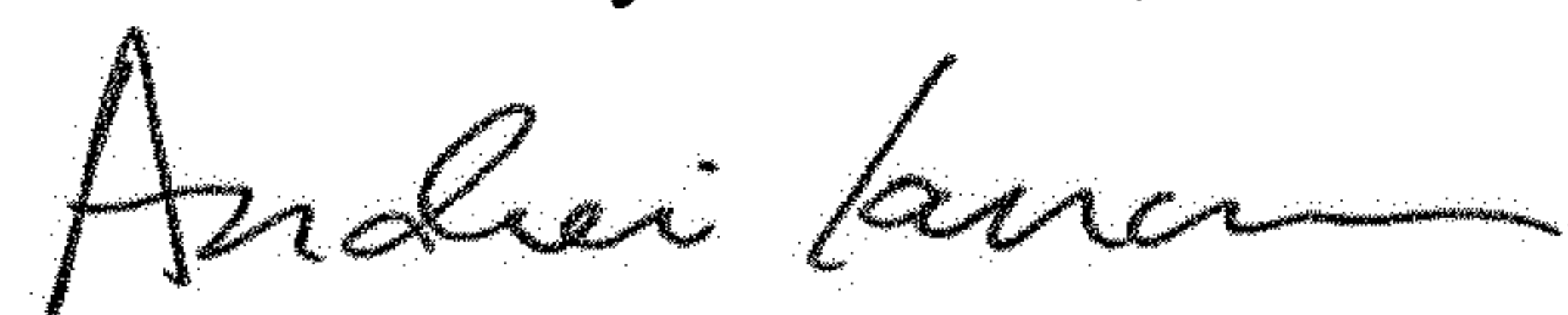
It is certified that error appears in the above-identified patent and that said Letters Patent is hereby corrected as shown below:

On the Title Page

Please add the Assignee --Abbott Laboratories, Abbott Park, IL (US)--; and

Under Related U.S. Application Data, please add --Provisional application No. 61/780,355,  
filed on March 13, 2013--.

Signed and Sealed this  
Third Day of March, 2020



Andrei Iancu  
*Director of the United States Patent and Trademark Office*