



US00D854177S

(12) **United States Design Patent**
Cheng

(10) **Patent No.:** **US D854,177 S**

(45) **Date of Patent:** **** Jul. 16, 2019**

- (54) **ROLLER MASSAGER**
- (71) Applicant: **SHANQ DIH CO., LTD.**, Tainan (TW)
- (72) Inventor: **Cheng-Kuo Cheng**, Tainan (TW)
- (73) Assignee: **Shanq Dih Co., Ltd.**, Tainan (TW)
- (**) Term: **15 Years**
- (21) Appl. No.: **29/644,834**
- (22) Filed: **Apr. 20, 2018**
- (51) **LOC (11) Cl.** **28-03**
- (52) **U.S. Cl.**
USPC **D24/211**
- (58) **Field of Classification Search**
USPC D24/200, 211, 212, 213, 214, 215;
601/19, 22, 46, 52, 63, 80, 99, 104,
601/110–114, 118–120, 125, 134, 151,
601/152, DIG. 12, DIG. 14, DIG. 15,
601/DIG. 16, DIG. 17
CPC A61H 1/00; A61H 1/001; A61H 1/0237;
A61H 2015/0007; A61H 2015/0014;
A61H 2015/0042; A61H 2015/0064;
A61H 15/00; A61H 2011/005; A61H
19/44; A61H 19/50; A61H 21/00; A61H
37/00
See application file for complete search history.

(56) **References Cited**
U.S. PATENT DOCUMENTS

D127,824 S *	6/1941	Garas	D24/211
D182,123 S *	2/1958	Kallski	D24/211
D268,362 S *	3/1983	Wong	D21/399
D279,126 S *	6/1985	Kaerer	D24/211
D326,525 S *	5/1992	Shimizu	D24/200
D326,721 S *	6/1992	Ujifusa	D24/200
D336,959 S *	6/1993	Liming	D24/214
D349,576 S *	8/1994	Heiligenstein	D24/200
D349,771 S *	8/1994	Heiligenstein	D24/200
D357,984 S *	5/1995	Heck	D24/211

D358,894 S *	5/1995	Ivy	D24/211
D359,359 S *	6/1995	Robertson	D24/211
D359,360 S *	6/1995	Ivy	D24/211
D361,133 S *	8/1995	Robertson	D24/211
D382,644 S *	8/1997	Chi	D24/200
D408,925 S *	4/1999	Berry	D24/214
D415,569 S *	10/1999	Wyrwa	D24/211
D423,676 S *	4/2000	Lazio	D24/211
D428,997 S *	8/2000	Berry	D24/214
D436,181 S *	1/2001	Lazio	D24/214
D539,915 S *	4/2007	Timmer	D24/214
D646,794 S *	10/2011	Hennessey	D24/214
D685,490 S *	7/2013	Hennessey	D24/214
D689,620 S *	9/2013	Louis	D24/215
D690,431 S *	9/2013	Nohr	D24/215
D743,043 S *	11/2015	Cao	D24/215
D805,210 S *	12/2017	Leier	D24/211
D829,919 S *	10/2018	Davis	D24/211
2008/0200852 A1 *	8/2008	Sloan	A61H 15/0092 601/129

* cited by examiner

Primary Examiner — Sandra S Snapp
(74) *Attorney, Agent, or Firm* — Rosenberg, Klein & Lee

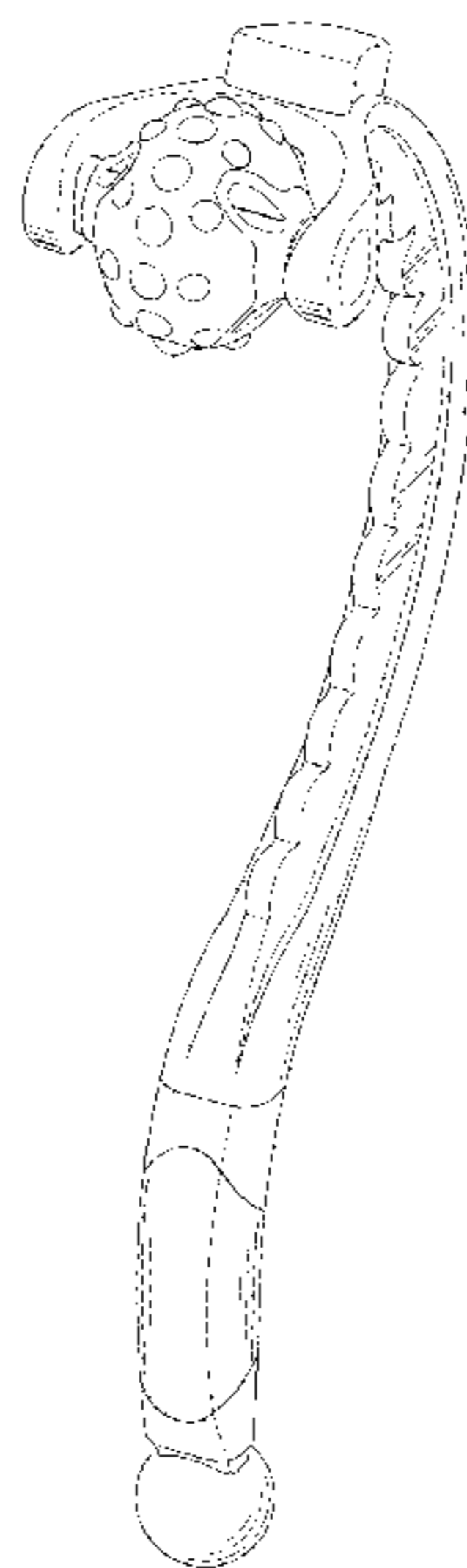
(57) **CLAIM**

The ornamental design for a roller massager, as shown and described.

DESCRIPTION

FIG. 1 is a perspective view of a roller massager showing my new design;
FIG. 2 is a front elevational view thereof;
FIG. 3 is a rear elevational view thereof;
FIG. 4 is a left side elevational view thereof;
FIG. 5 is a right side elevational view thereof;
FIG. 6 is a top plan view thereof; and,
FIG. 7 is a bottom plan view thereof.
The broken lines shown in the figures are included for illustrating unclaimed portions of the roller massager and form no part of the claimed design.

1 Claim, 7 Drawing Sheets



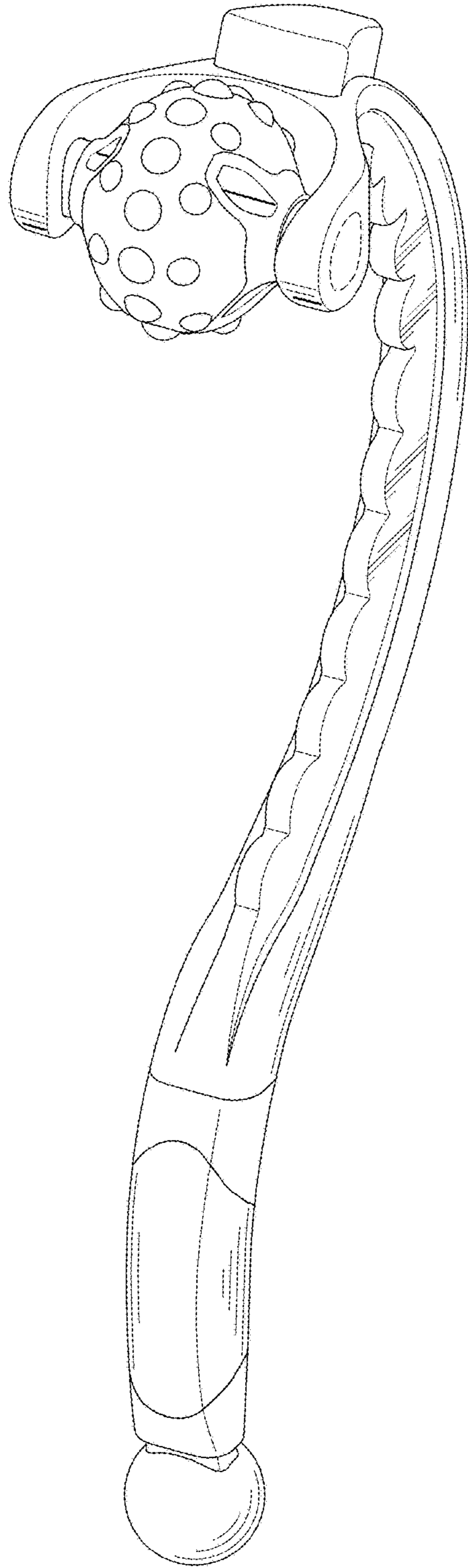


FIG. 1

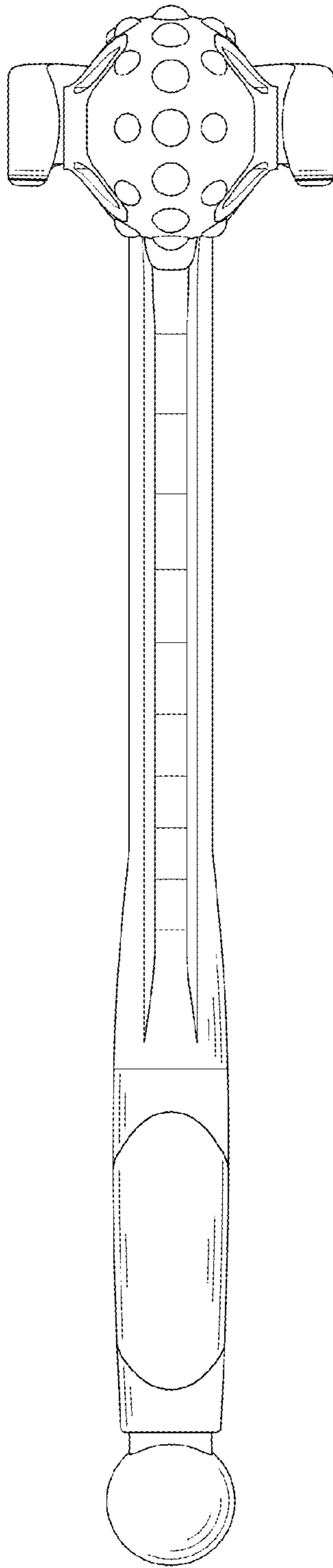


FIG. 2

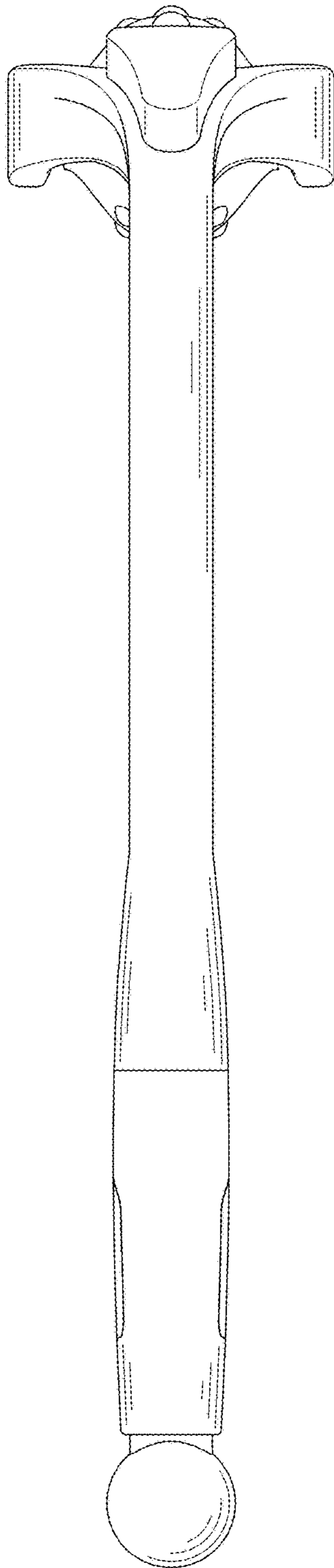


FIG. 3

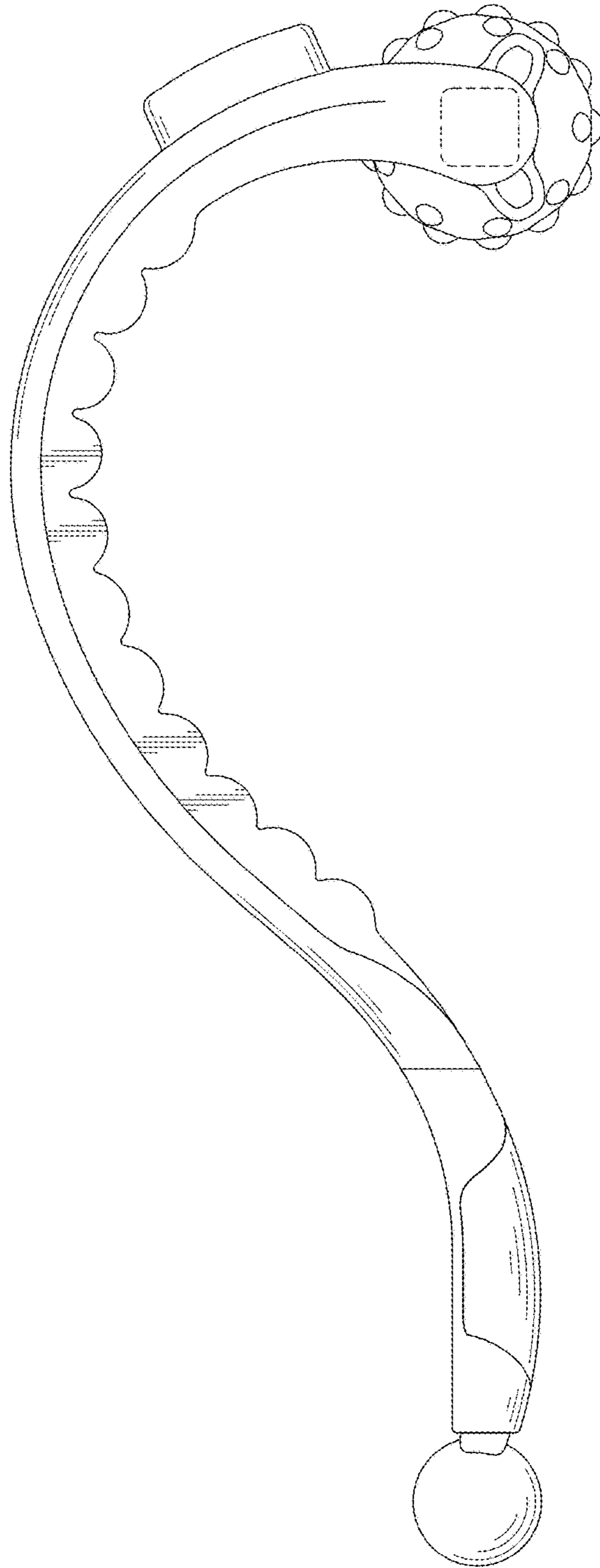


FIG. 4

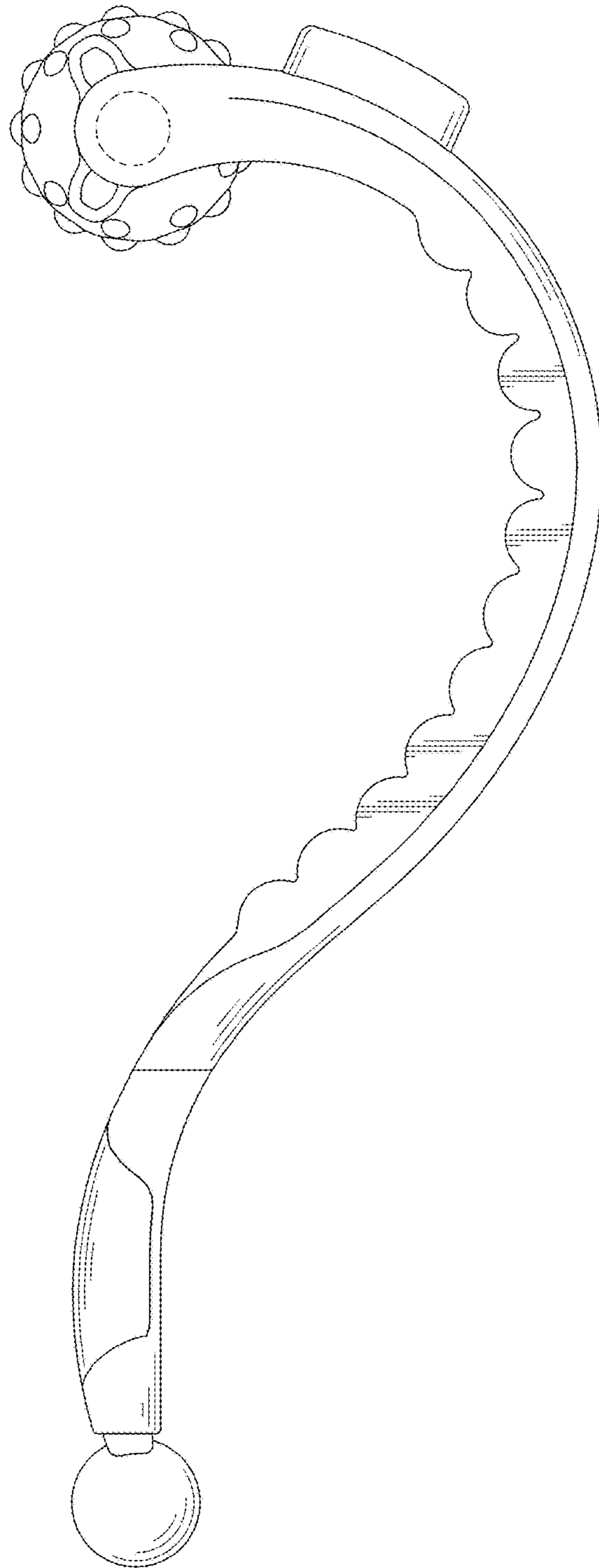


FIG. 5

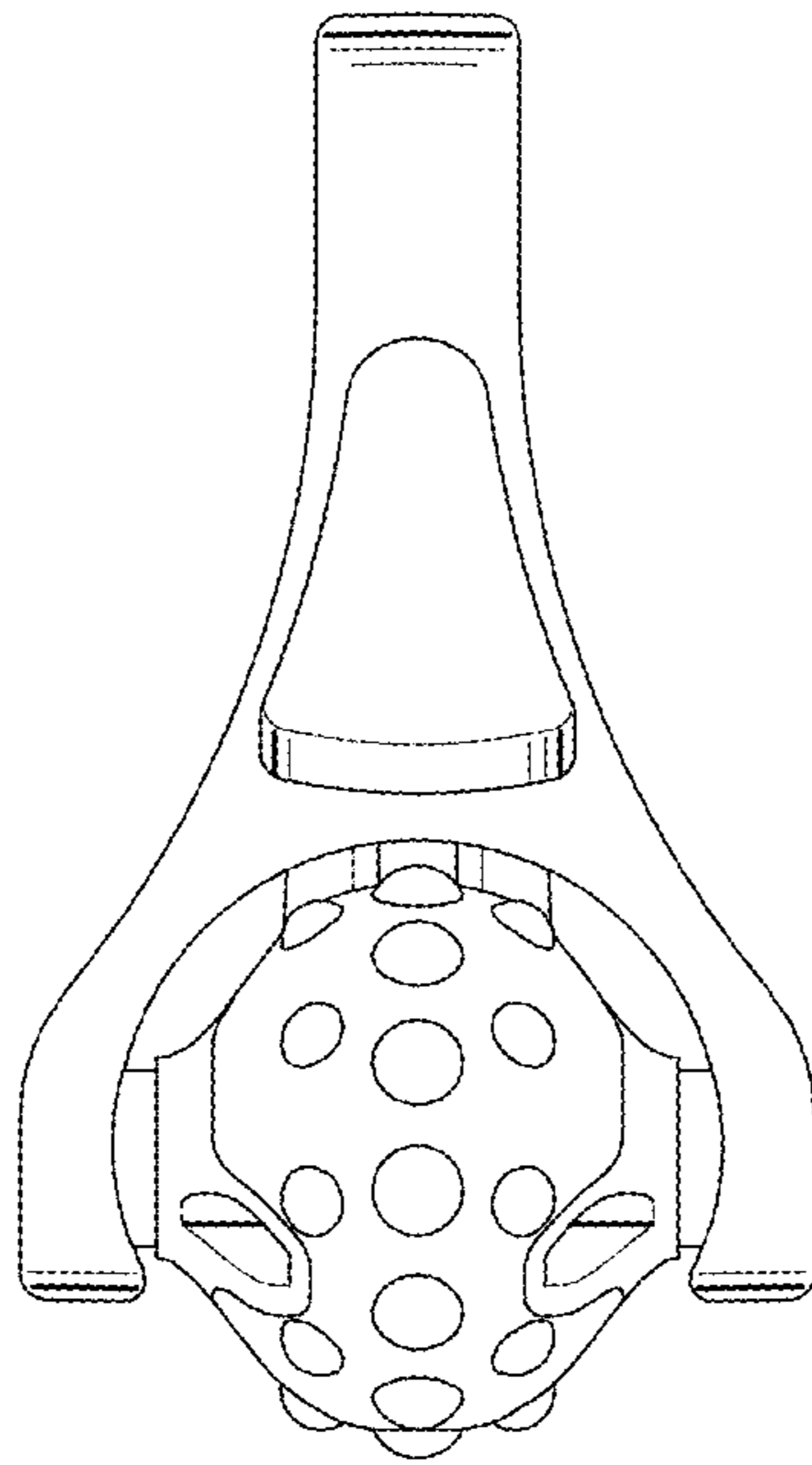


FIG. 6

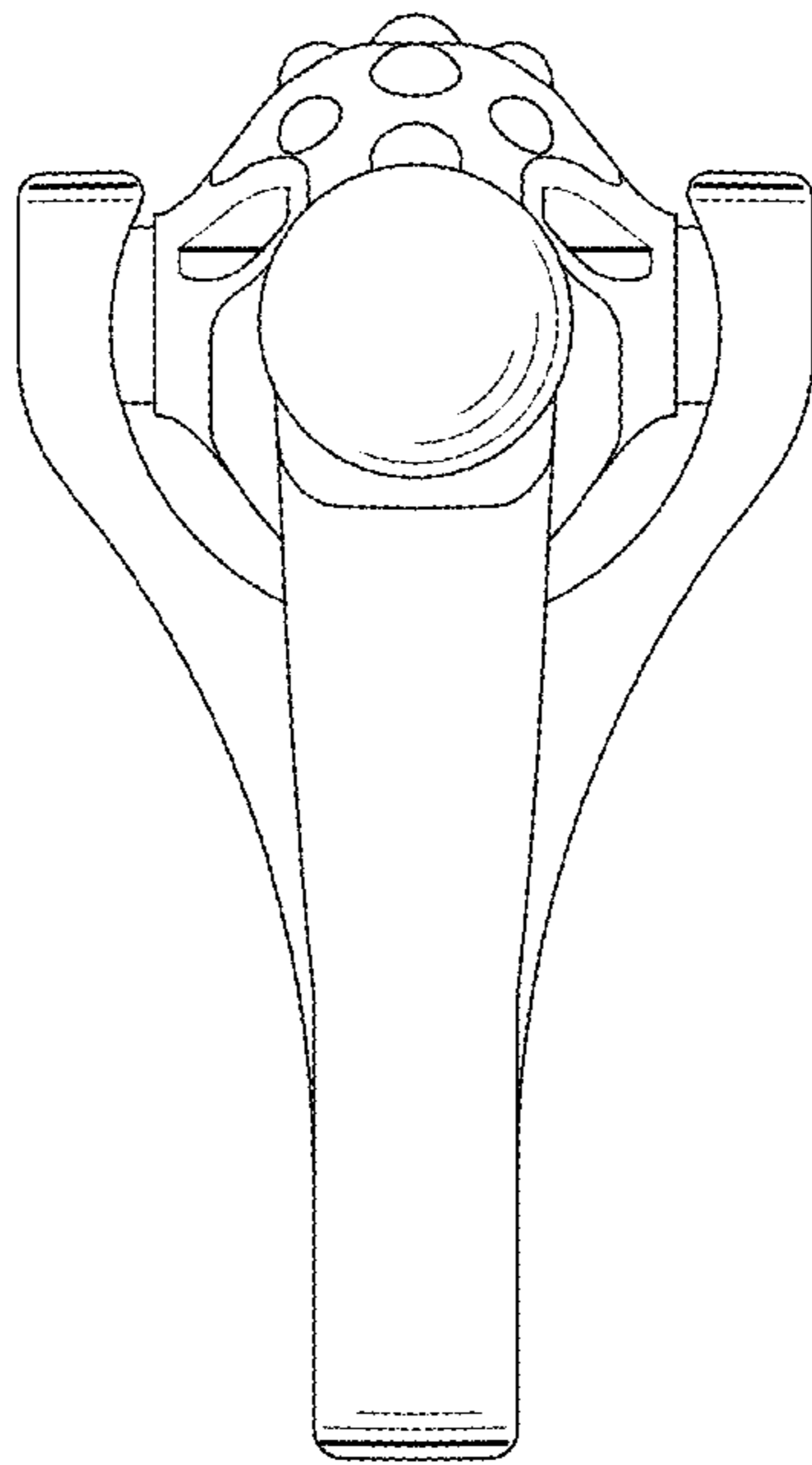


FIG. 7