



US00D854176S

(12) **United States Design Patent**  
**Murnaghan**

(10) **Patent No.:** **US D854,176 S**

(45) **Date of Patent:** **\*\* Jul. 16, 2019**

(54) **ACUPRESSURE MAT**

(71) Applicant: **Pearll Ltd**, Merseyside (GB)

(72) Inventor: **Shane Murnaghan**, Knocklyon (IE)

(73) Assignee: **PEARLL LTD**, St. Helens, Merseyside (GB)

(\*\*) Term: **15 Years**

(21) Appl. No.: **29/559,387**

(22) Filed: **Mar. 28, 2016**

(30) **Foreign Application Priority Data**

Sep. 28, 2015 (EP) ..... 002801829-0001

Sep. 28, 2015 (EP) ..... 002801829-0002

(51) **LOC (11) Cl.** ..... **28-03**

(52) **U.S. Cl.**  
USPC ..... **D24/200**

(58) **Field of Classification Search**  
USPC ..... D24/200, 211, 215, 212; D6/582-583  
CPC ..... A61H 7/001; A61H 7/002; A61H 7/00;  
A61H 15/00; A61H 39/04; A61H  
2015/0042; A61H 2015/005; A61H  
2015/0057; A61H 2015/0064; A61H  
2201/1284; A61H 2201/1695; A61H  
2201/0157

See application file for complete search history.

(56) **References Cited**

**U.S. PATENT DOCUMENTS**

3,741,411 A \* 6/1973 Peacock ..... B65D 57/00  
206/593  
D294,212 S 2/1988 Sias  
5,158,073 A \* 10/1992 Bukowski ..... A61H 39/04  
5/944  
D336,198 S \* 6/1993 Gibbons ..... D6/583

D344,137 S 2/1994 Yoo  
D348,108 S \* 6/1994 Kim ..... D24/212  
5,938,684 A 8/1999 Lynch  
D475,792 S \* 6/2003 Robbins, III ..... D24/212  
D610,696 S \* 2/2010 Makuch ..... D24/211  
D713,970 S \* 9/2014 Olofsson ..... D24/200  
D821,594 S 6/2018 Davidson  
2005/0165450 A1 \* 7/2005 Perez-Torrens ..... A61H 7/001  
606/240  
2006/0241538 A1 \* 10/2006 Chen ..... A61H 7/001  
601/134  
2008/0004554 A1 \* 1/2008 Smith ..... A61H 7/001  
601/134  
2012/0253248 A1 \* 10/2012 Carlson ..... A61H 15/00  
601/128  
2013/0324382 A1 \* 12/2013 Wilson ..... A61H 7/007  
482/142  
2014/0088474 A1 \* 3/2014 Bukharina ..... A61H 7/001  
601/134  
2015/0351996 A1 \* 12/2015 Bukharina ..... A61H 7/001  
601/134  
2018/0055722 A1 \* 3/2018 Murnaghan ..... A61H 7/001

\* cited by examiner

*Primary Examiner* — Wan Laymon

(74) *Attorney, Agent, or Firm* — Brinks Gilson & Lione;  
John C. Freeman

(57) **CLAIM**

The ornamental design for an acupressure mat, as shown and described.

**DESCRIPTION**

FIG. 1 is an end view of an ornamental design for an acupressure mat;  
FIG. 2 is a bottom view of the acupressure mat of FIG. 1;  
FIG. 3 is a top view of the acupressure mat of FIG. 1; and,  
FIG. 4 is an end view of the acupressure mat of FIG. 1.

**1 Claim, 4 Drawing Sheets**

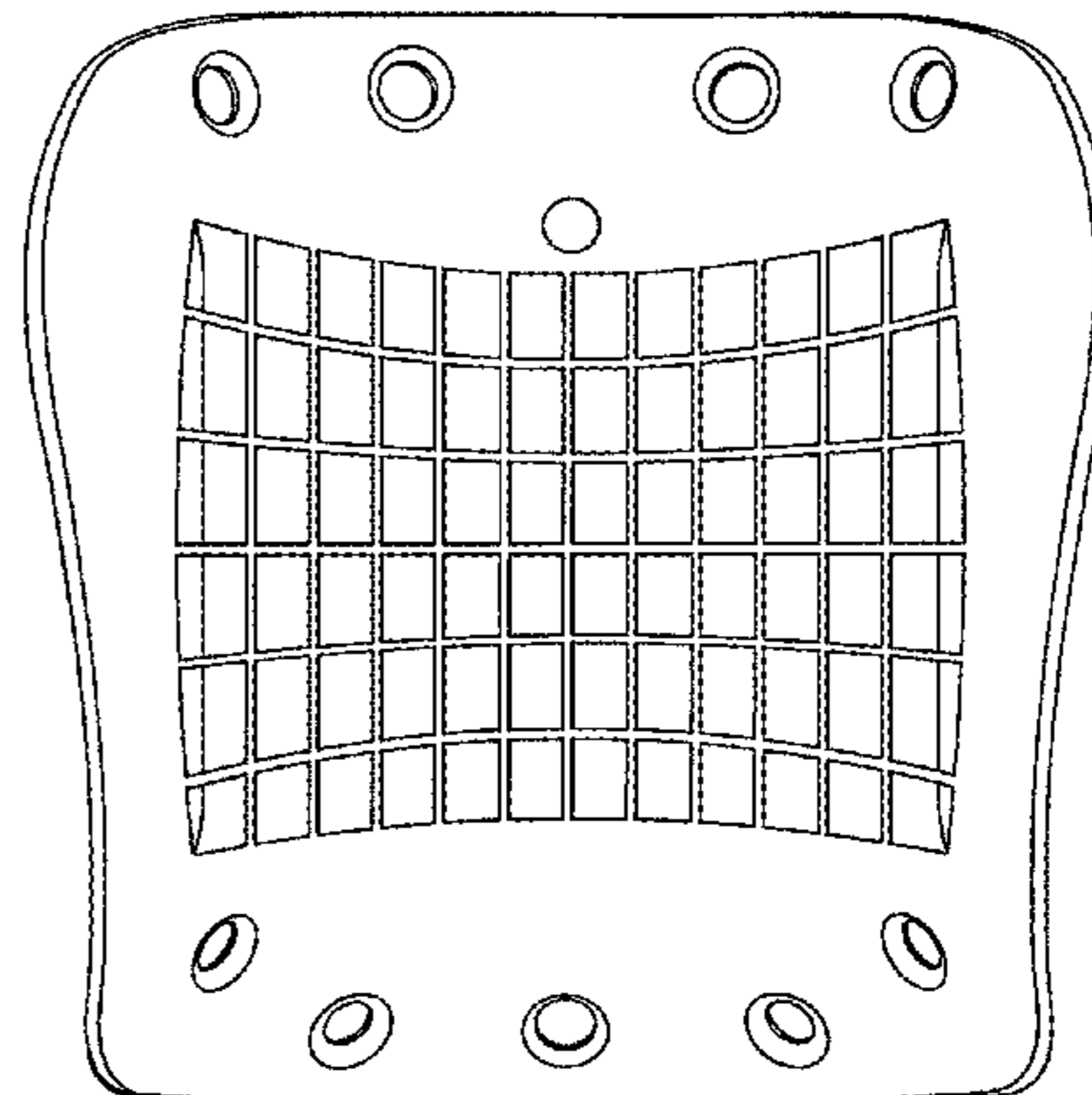
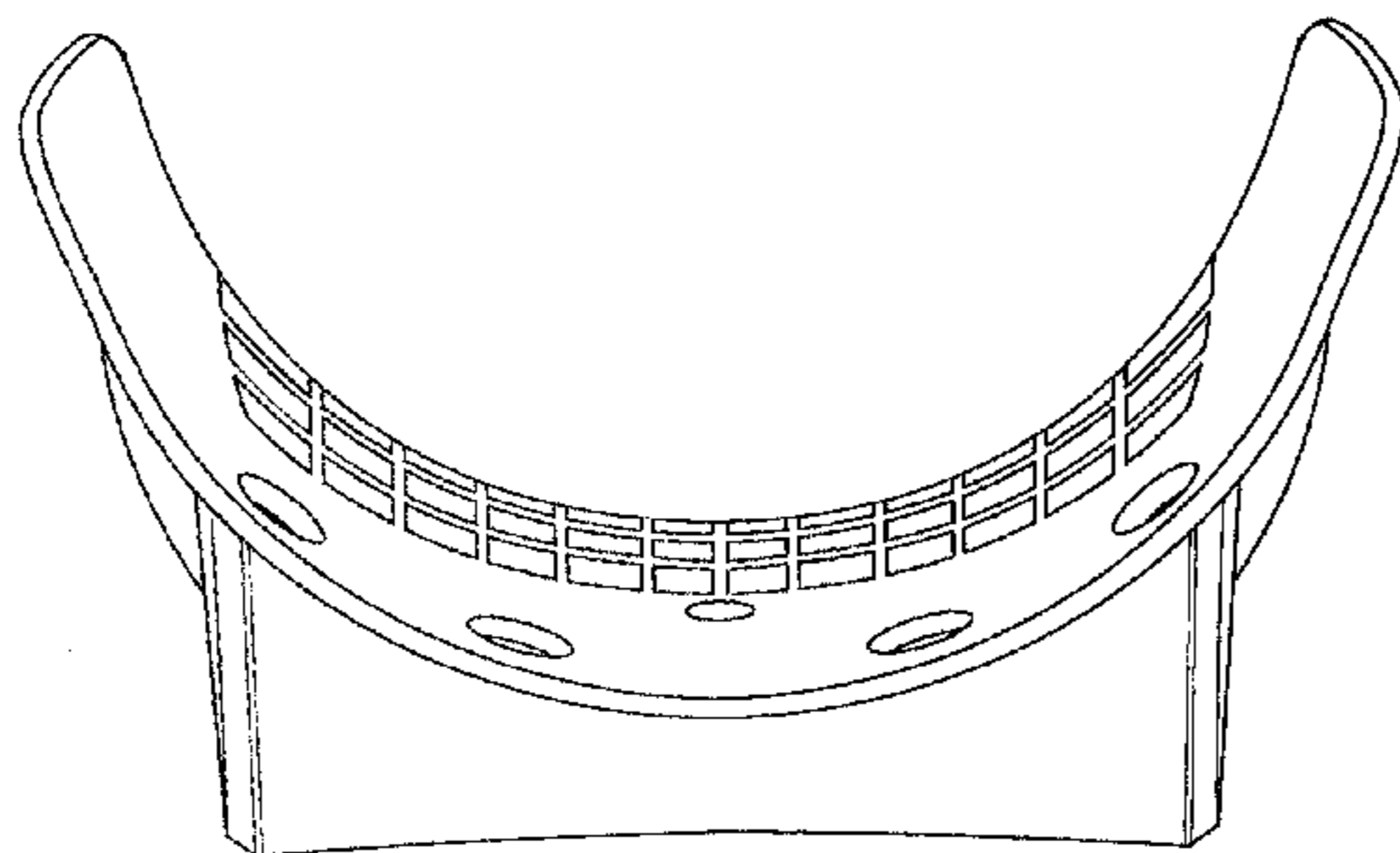


FIG. 1

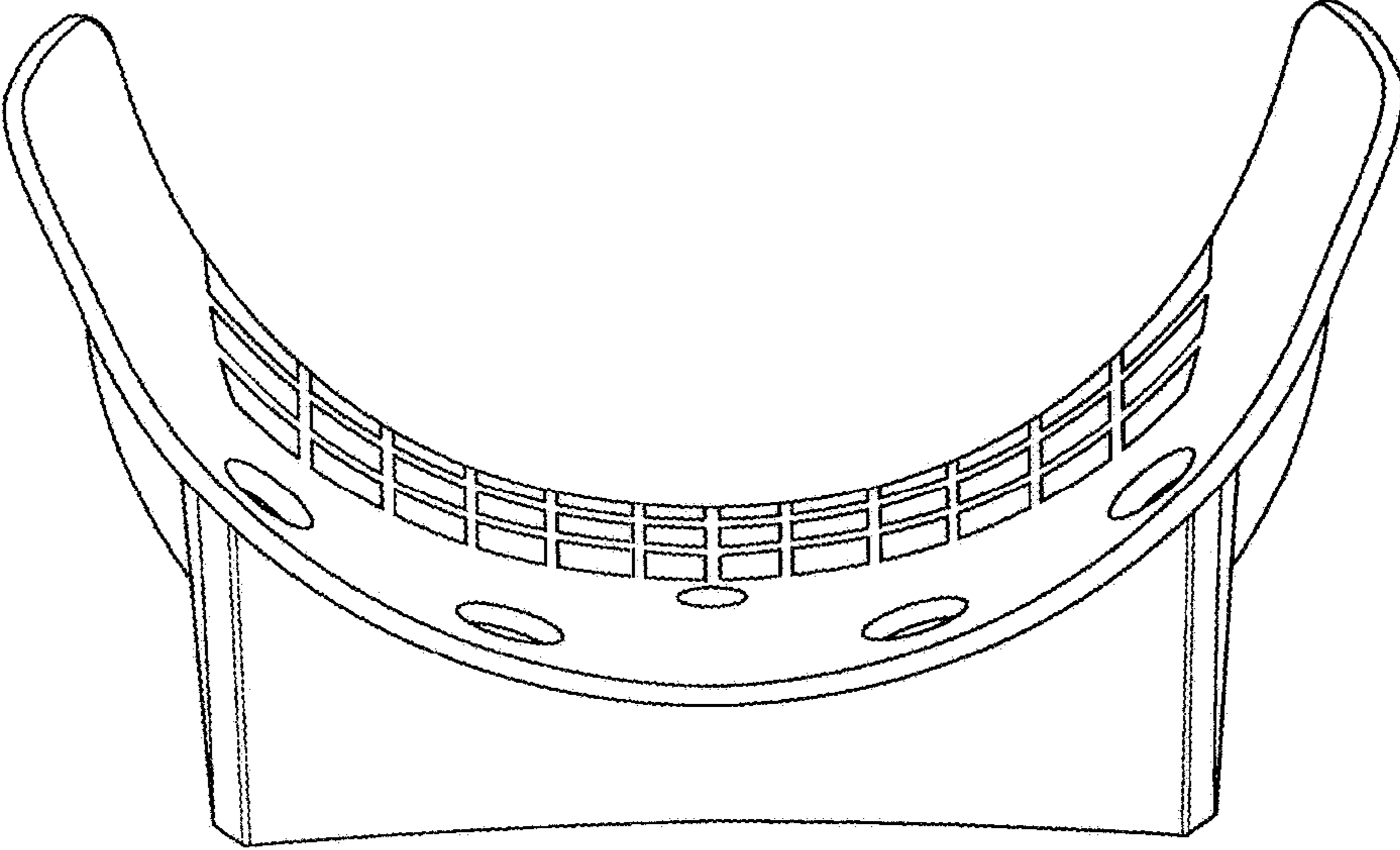


FIG. 2

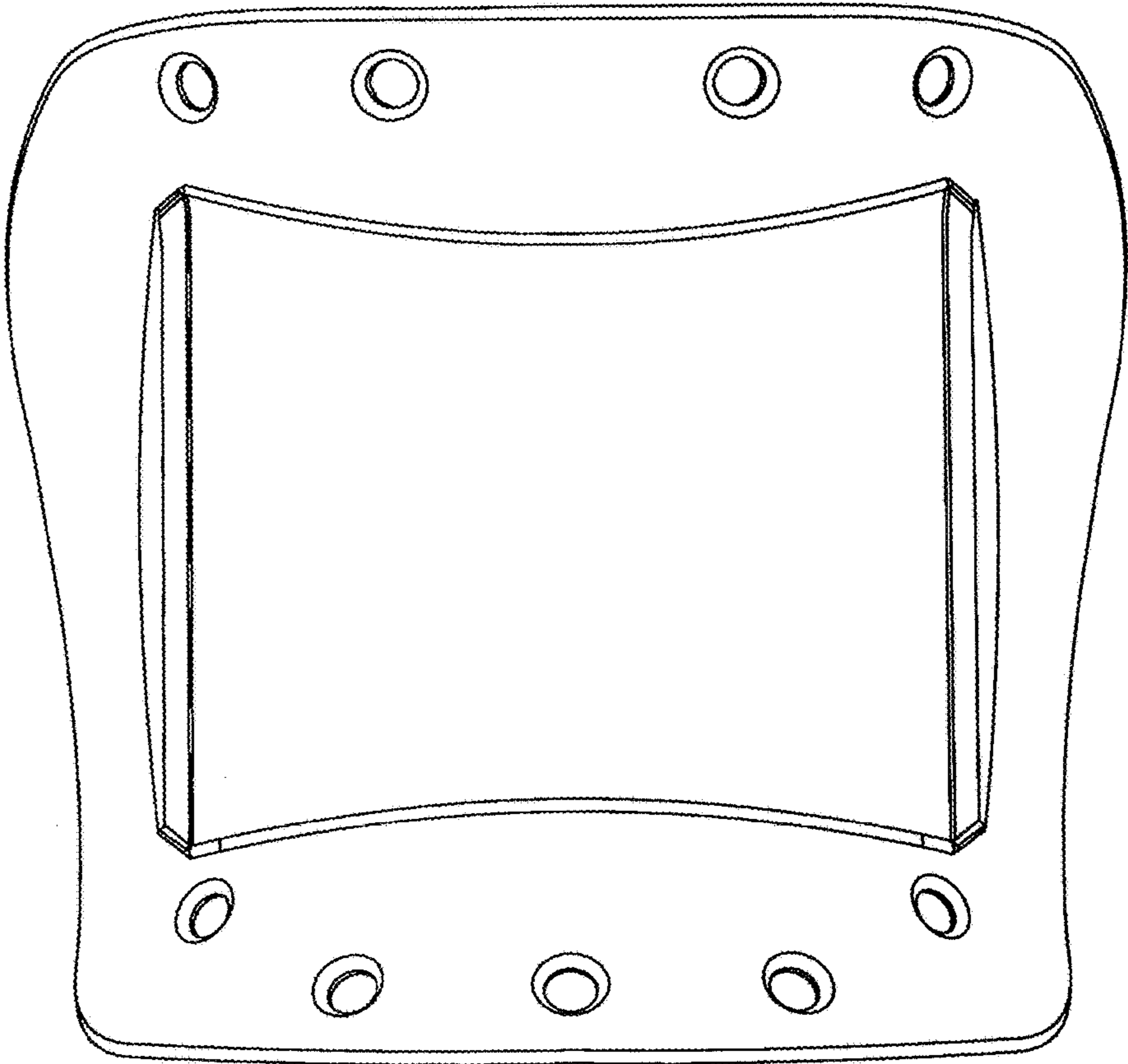


FIG. 3

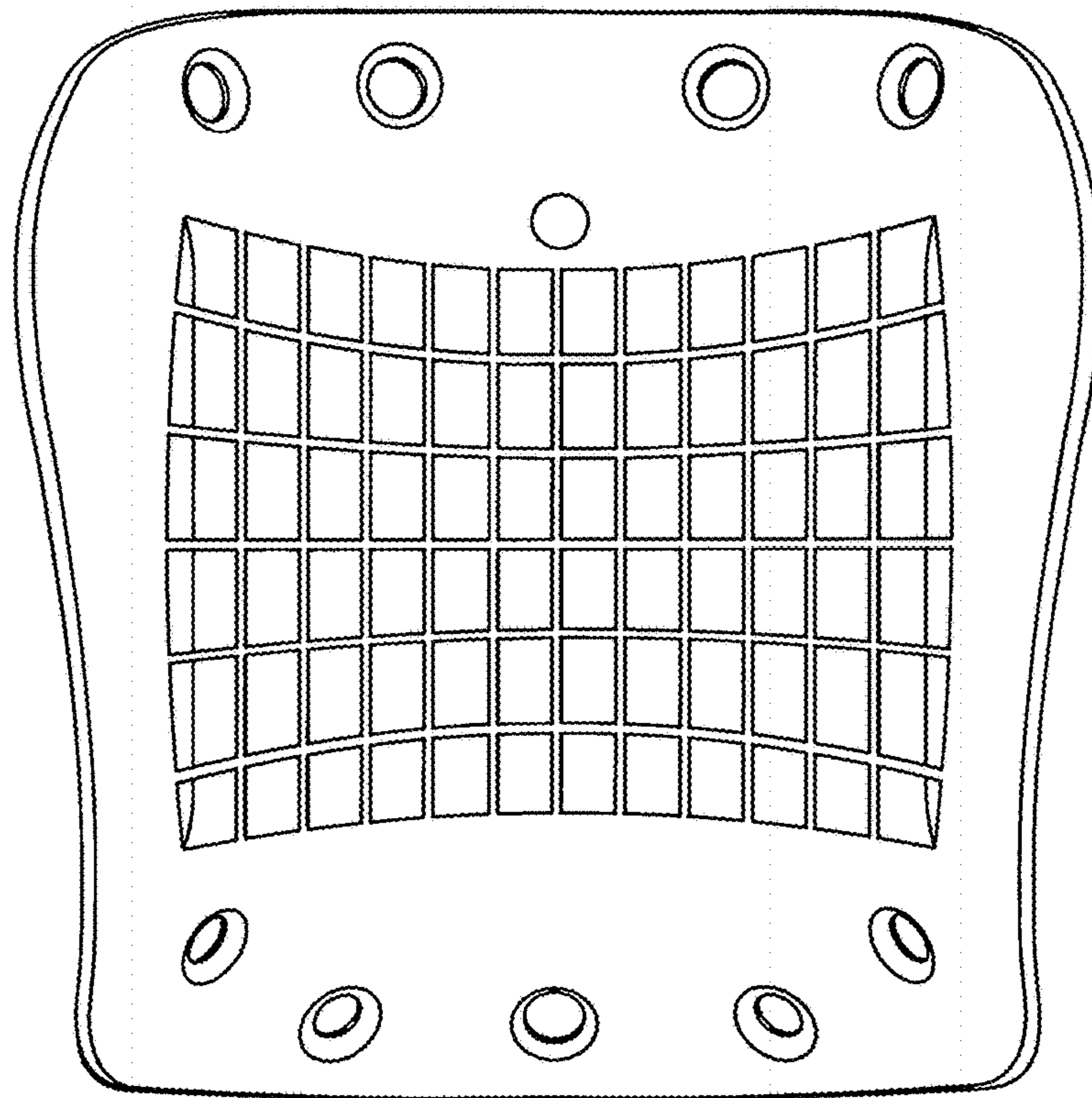


FIG. 4

