



US00D854169S

(12) **United States Design Patent**  
**Briante et al.**

(10) **Patent No.: US D854,169 S**  
(45) **Date of Patent: \*\* Jul. 16, 2019**

(54) **APPARATUS FOR MEDICAL OR LABORATORY DIAGNOSIS**

(71) Applicant: **D-HEART S.R.L.**, Genoa (IT)

(72) Inventors: **Nicolò Briante**, Genoa (IT); **Niccolò Maurizi**, Florence (IT)

(\*\*) Term: **15 Years**

(21) Appl. No.: **35/504,558**

(22) Filed: **Dec. 20, 2017**

(80) **Hague Agreement Data**

Int. Filing Date: **Dec. 20, 2017**

Int. Reg. No.: **DM/099878**

Int. Reg. Date: **Dec. 20, 2017**

Int. Reg. Pub. Date: **Mar. 9, 2018**

(30) **Foreign Application Priority Data**

Jul. 13, 2017 (EM) ..... 004101087

(51) **LOC (11) Cl.** ..... **24-01**

(52) **U.S. Cl.**  
USPC ..... **D24/187**

(58) **Field of Classification Search**  
USPC ..... D24/187  
CPC ..... A61B 5/0006; A61B 5/04023; A61B 5/04085

See application file for complete search history.

(56) **References Cited**

U.S. PATENT DOCUMENTS

8,755,873 B2 *	6/2014	Sunderland .....	A61B 5/0408 600/509
D709,204 S *	7/2014	Kovach .....	D24/187
D746,994 S *	1/2016	Lewis, Jr. ....	D24/187
D784,543 S *	4/2017	Darmanjian .....	D24/187
D785,187 S *	4/2017	Darmanjian .....	A61B 5/4362 D24/187
9,872,619 B2 *	1/2018	Lee .....	A61B 5/0006
10,117,589 B2 *	11/2018	Sugiyama .....	A61B 5/6893

\* cited by examiner

*Primary Examiner* — Michael A. Pratt

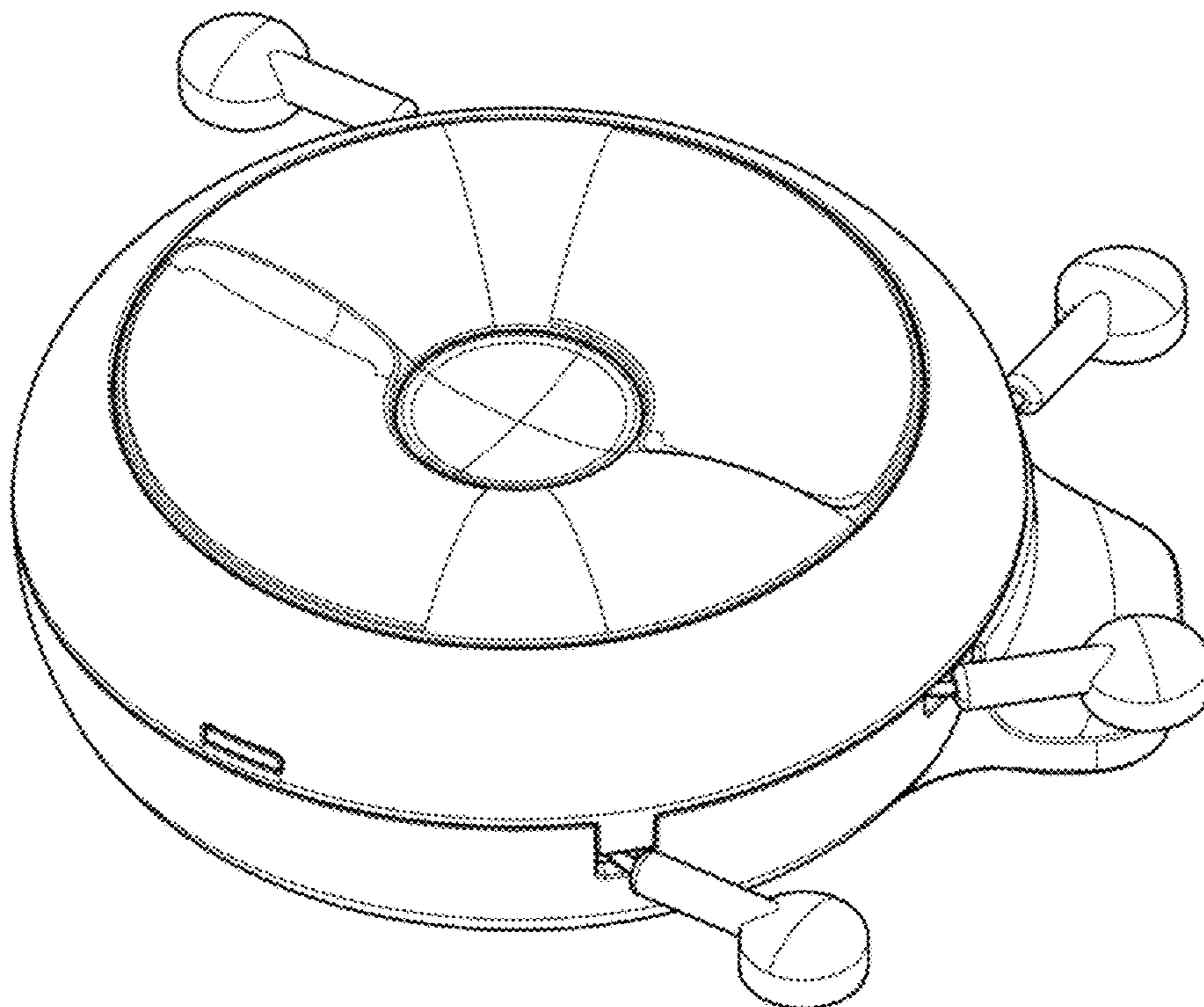
(57) **CLAIM**

The ornamental design for a apparatus for medical or laboratory diagnosis, as shown and described.

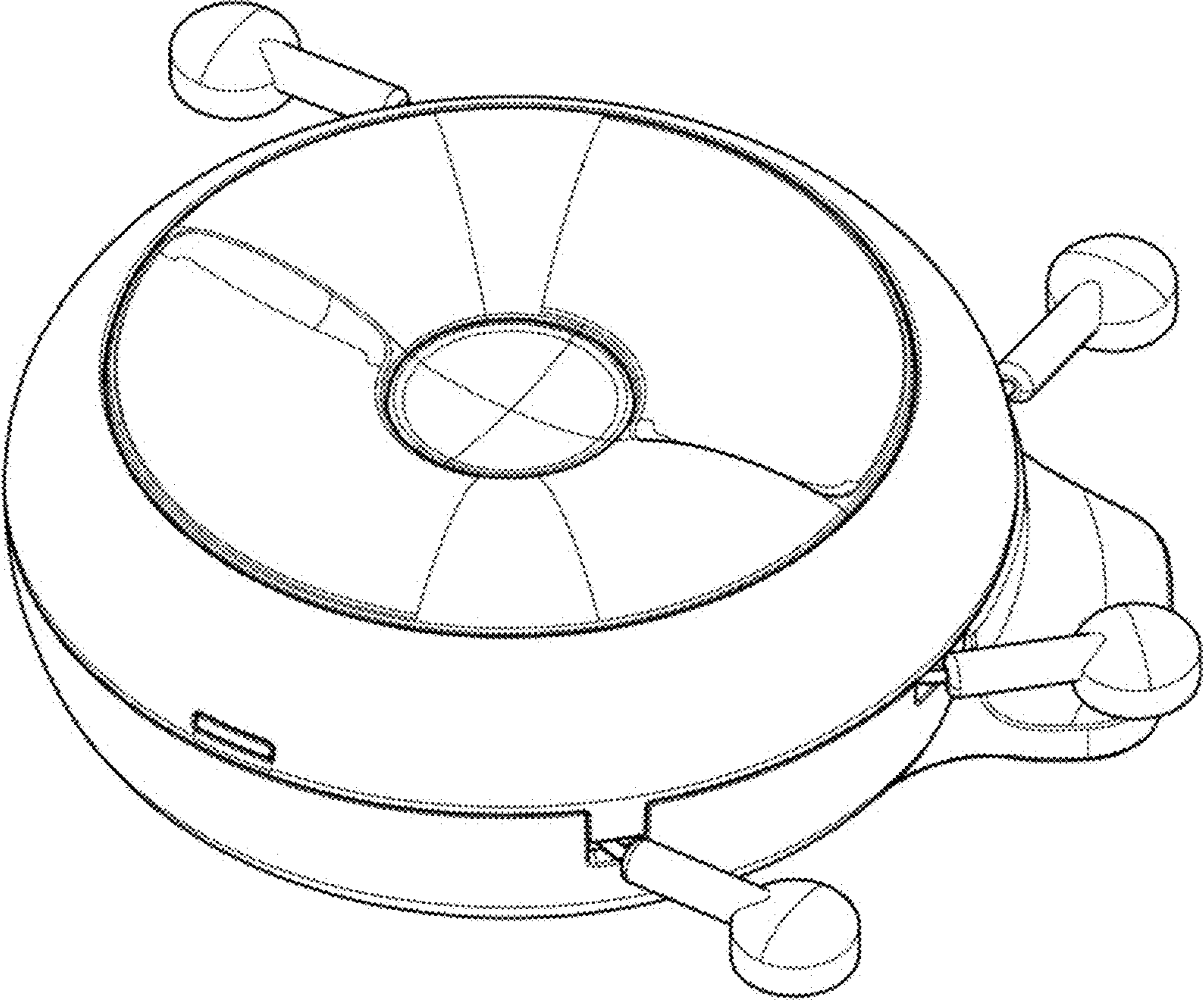
**DESCRIPTION**

1. Apparatus for medical or laboratory diagnosis
  - 1.1: perspective
  - 1.2: side
  - 1.3: side
  - 1.4: side
  - 1.5: top
  - 1.6: bottom
  - 1.7: side

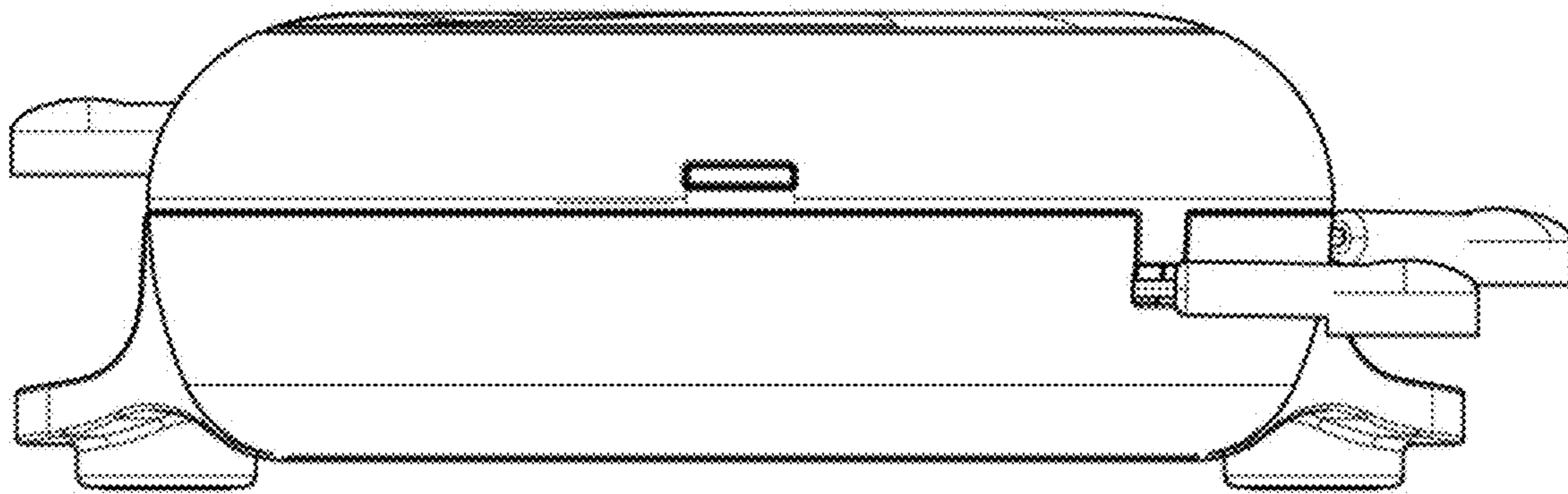
**1 Claim, 7 Drawing Sheets**



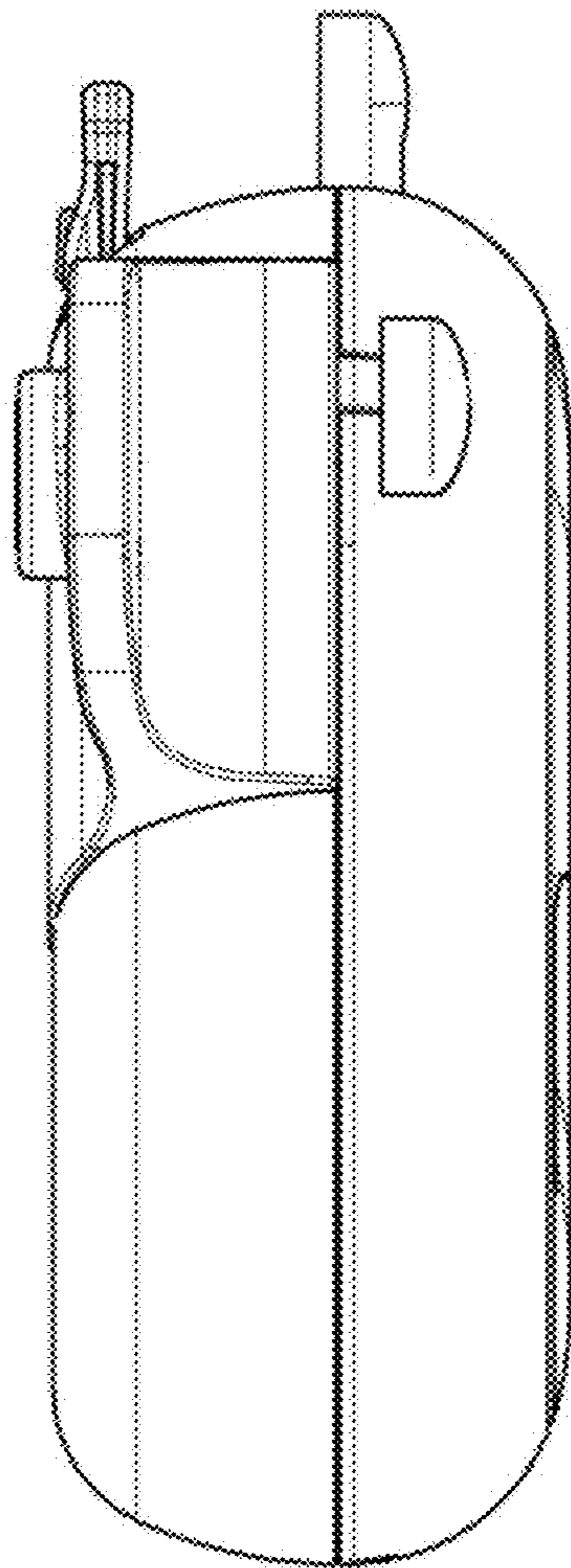
1.1



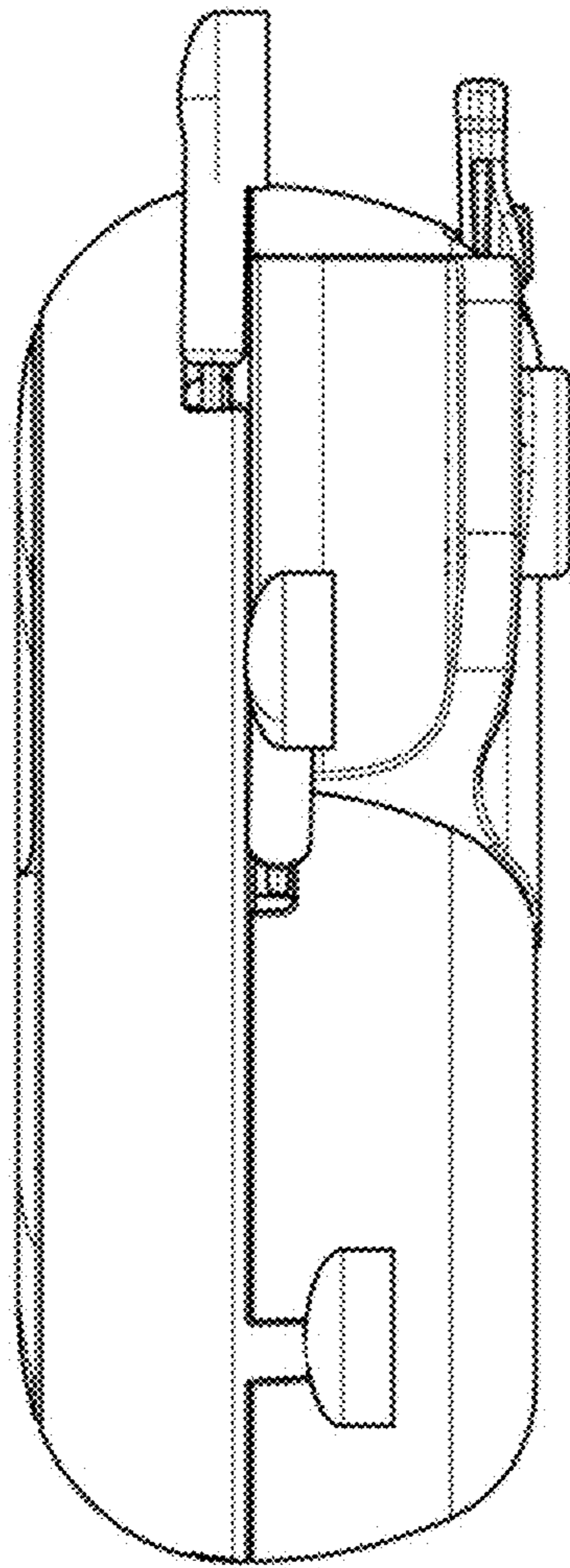
1.2



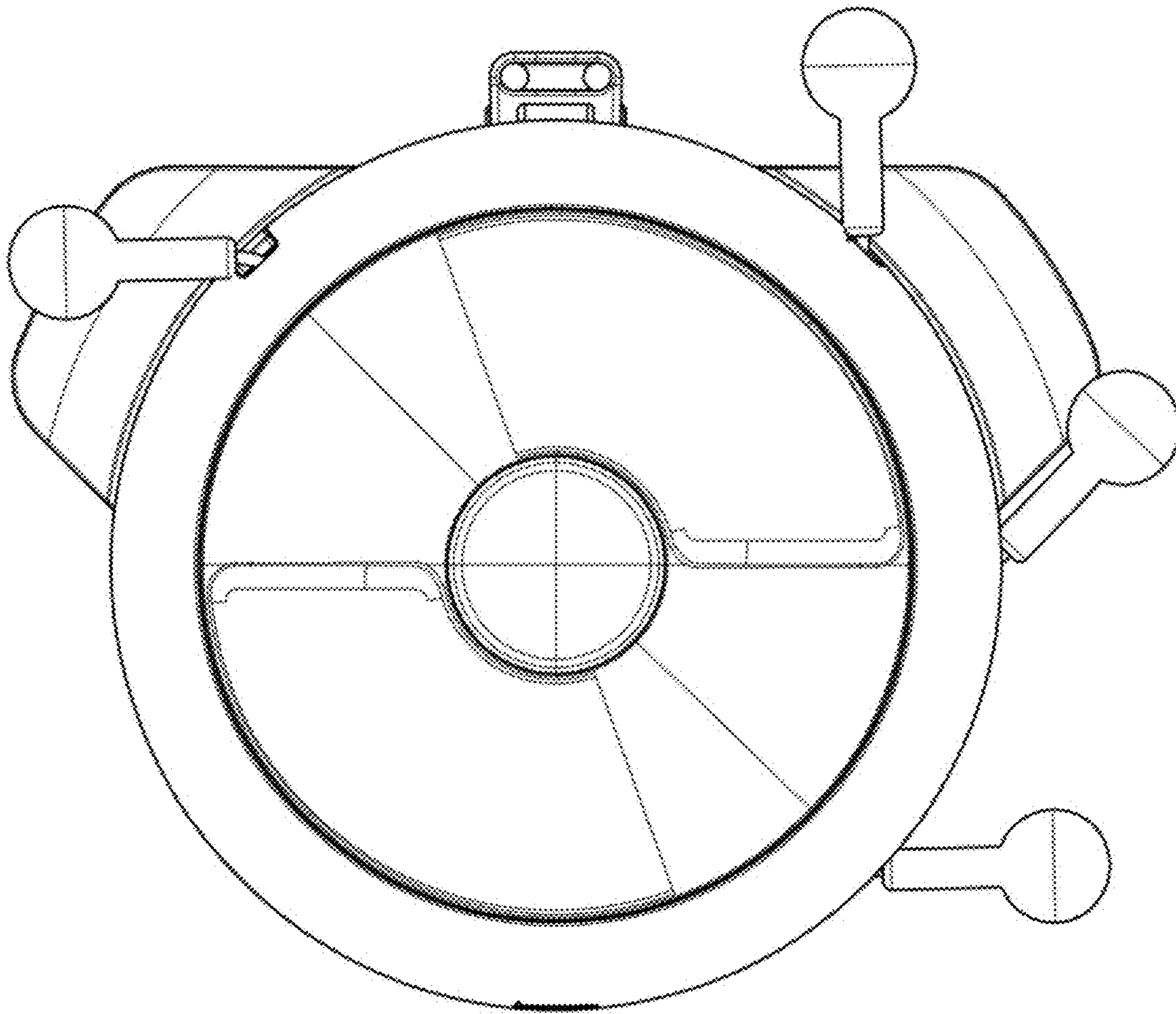
1.3



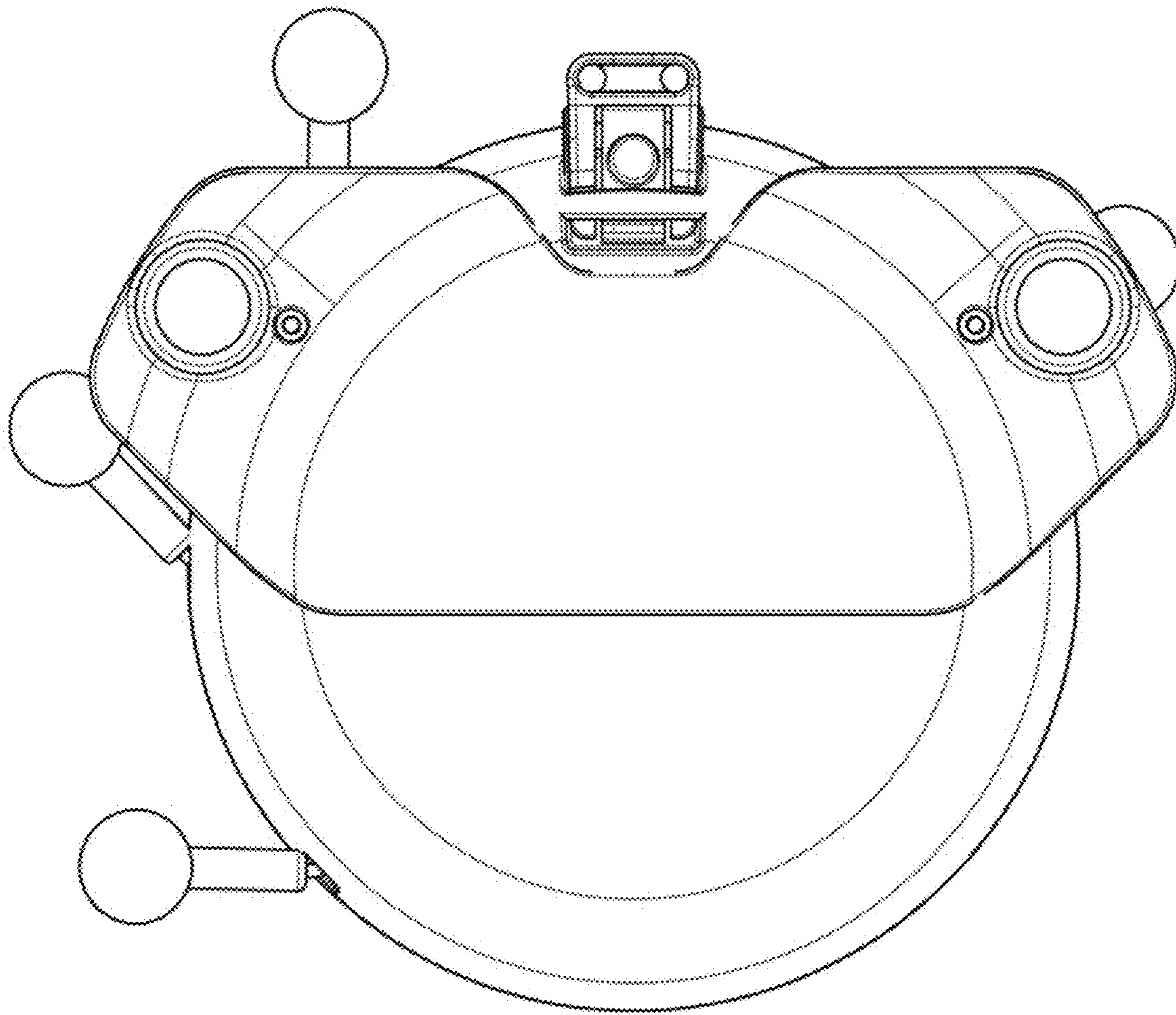
1.4



1.5



1.6



1.7

