



US00D854165S

(12) **United States Design Patent** (10) **Patent No.:** **US D854,165 S**
Wortmann et al. (45) **Date of Patent:** **** Jul. 16, 2019**

(54) **HOLDER RAIL FOR A PATIENT FIXATION MASK**

(71) Applicant: **BRAINLAB AG**, Munich (DE)

(72) Inventors: **Manuel Wortmann**, Feldkirchen (DE);
Andreas Bereket, Kirchheim (DE)

(**) Term: **15 Years**

(21) Appl. No.: **35/504,370**

(22) Filed: **Oct. 19, 2017**

(80) **Hague Agreement Data**

Int. Filing Date: **Oct. 19, 2017**

Int. Reg. No.: **DM/099363**

Int. Reg. Date: **Oct. 19, 2017**

Int. Reg. Pub. Date: **Feb. 2, 2018**

(30) **Foreign Application Priority Data**

Apr. 20, 2017 (EM) 003865088-0001-0006

(51) **LOC (11) Cl.** **24-01**

(52) **U.S. Cl.**
USPC **D24/184**

(58) **Field of Classification Search**
USPC D24/107, 159, 171, 183, 184, 188, 191,
D24/200; D29/100, 101, 102; D6/716.2,
D6/716.5; D14/452, 460, 461
CPC A61G 13/121; A61B 90/14
See application file for complete search history.

(56) **References Cited**

U.S. PATENT DOCUMENTS

5,281,232 A * 1/1994 Hamilton A61B 6/0421
600/429
6,036,716 A * 3/2000 Kruchinin A61B 17/0057
604/104
6,511,332 B2 * 1/2003 Ishikawa H01R 12/73
439/59
8,020,228 B2 * 9/2011 Rao A61G 13/12
5/621

D710,545 S * 8/2014 Wu D29/102
9,265,529 B2 * 2/2016 Wolfson A61B 17/64
D780,929 S * 3/2017 Nurminen D24/184
D794,205 S * 8/2017 Naber D12/14
9,730,763 B2 * 8/2017 Garcia Coni A61G 13/121
9,857,667 B2 * 1/2018 Kuroki F16M 13/04
D810,304 S * 2/2018 Mattiuzzo D24/184
2016/0206395 A1 * 7/2016 Coppens A61B 90/18
2017/0252249 A1 * 9/2017 Cole A61G 13/1235

OTHER PUBLICATIONS

“BrainLAB mask for patient positioning”. Found online Nov. 2, 2018 at researchgate.net. Page dated Dec. 2017. Retrieved from https://www.researchgate.net/figure/BrainLAB-mask-for-patient-positioning_fig1_321434382.*

“Analysis of translational errors in frame-based and frameless cranial radiosurgery using an anthropomorphic phantom”. Found online Nov. 2, 2018 at scielo.br. Page dated Mar. 2016. Retrieved from <http://www.scielo.br/pdf/rb/v49n2/0100-3984-rb-49-02-0098.pdf>.*

“Stereotactic Masks”. Found online Nov. 2, 2018 at klaritymedical.com. Page dated Jun. 10, 2017. Retrieved from <https://web.archive.org/web/20170610123328/http://www.klaritymedical.com/stereotactic-masks/>.*

* cited by examiner

Primary Examiner — George D. Kirschbaum
Assistant Examiner — Kendra Leslie Hamilton

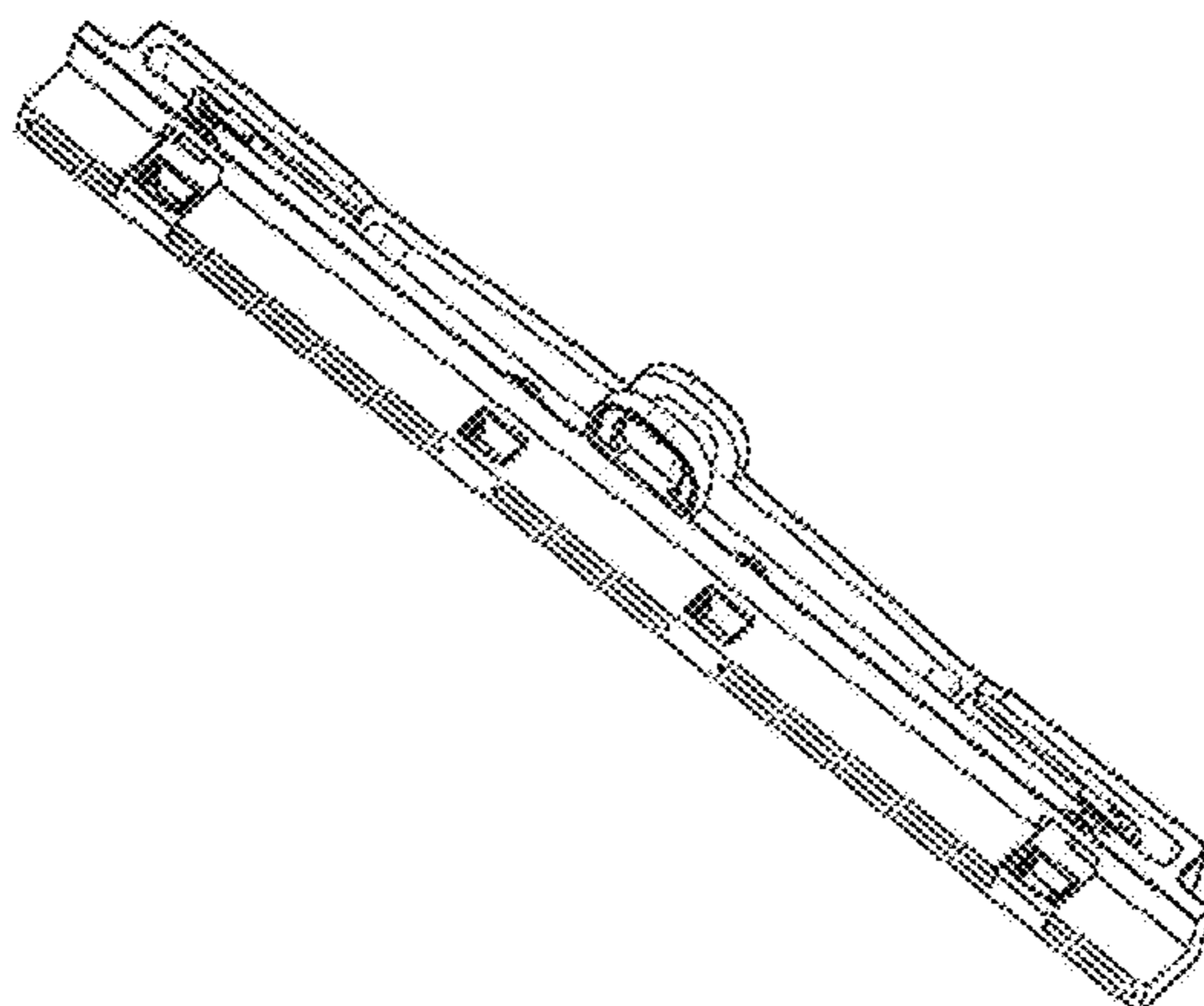
(57) **CLAIM**

The ornamental design for a holder rail for a patient fixation mask, as shown and described.

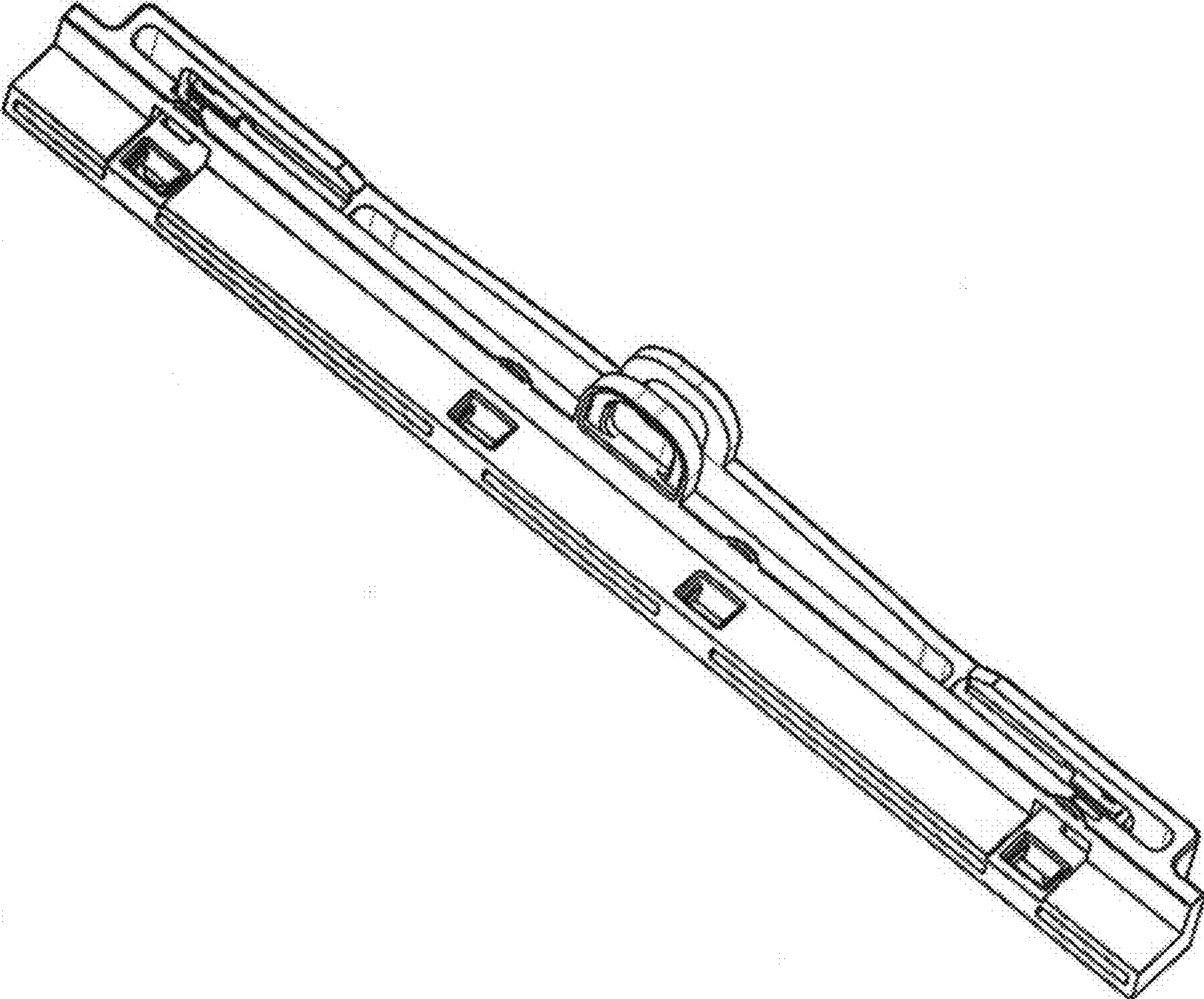
DESCRIPTION

- 1. Holder rail for a patient fixation mask
- 1.1 Top-front Perspective
- 1.2 Top-rear Perspective
- 1.3 Top
- 1.4 Rear
- 1.5 Front
- 1.6 Bottom
- 1.7 Left, enlarged view
- 1.8 Right, enlarged view

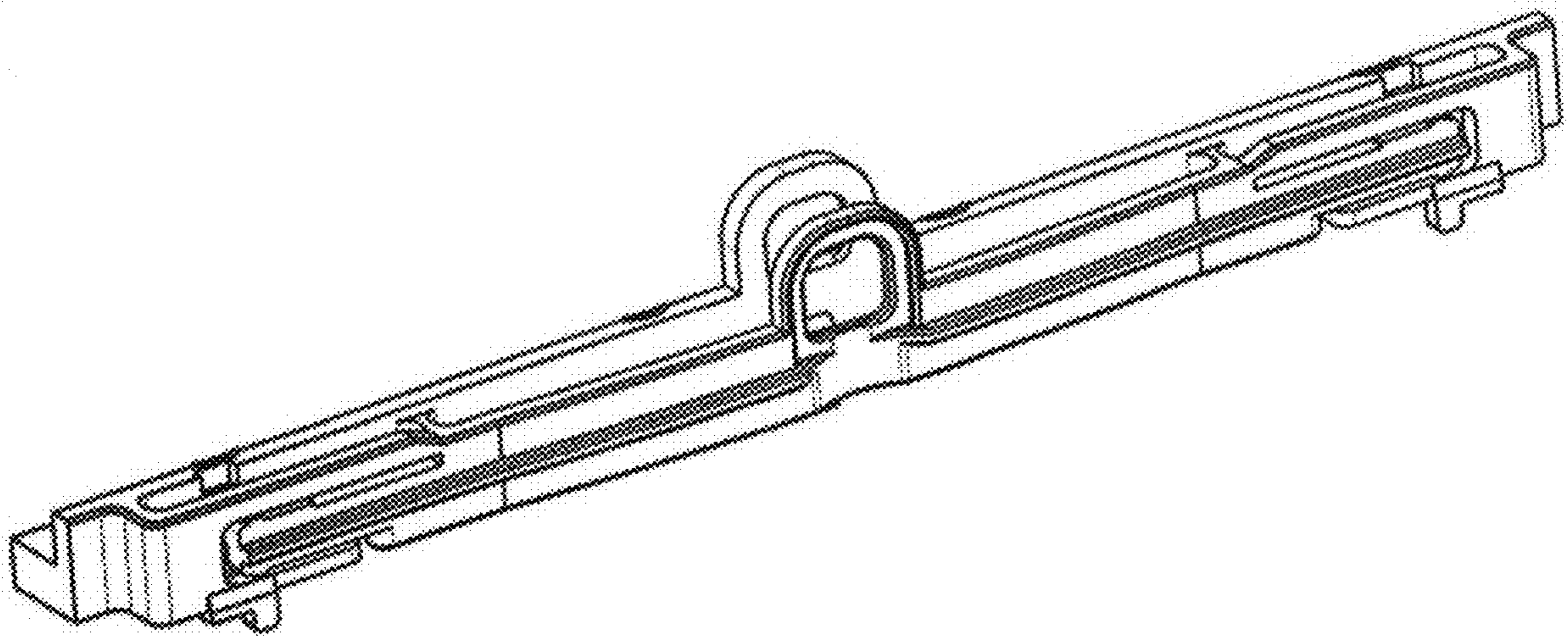
1 Claim, 8 Drawing Sheets



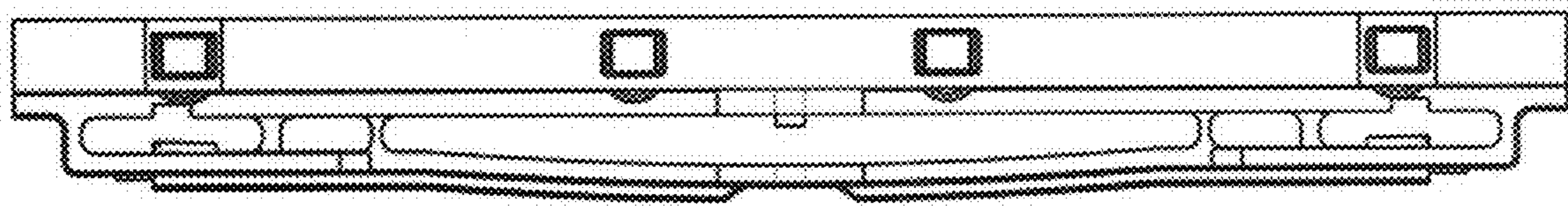
1.1



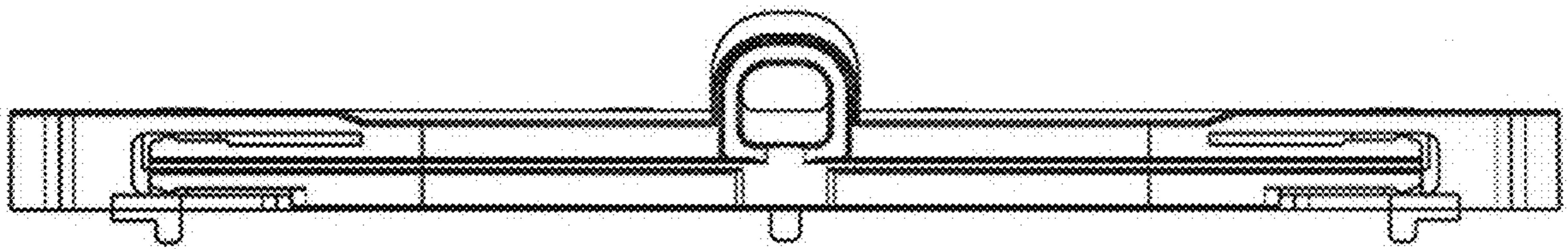
1.2



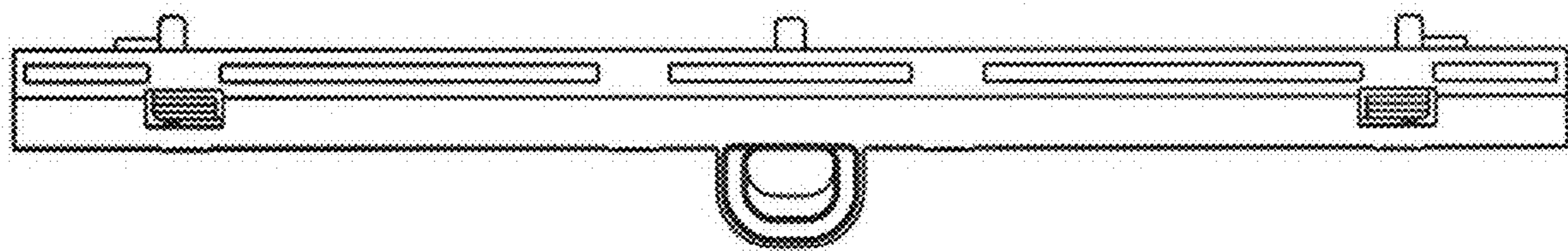
1.3



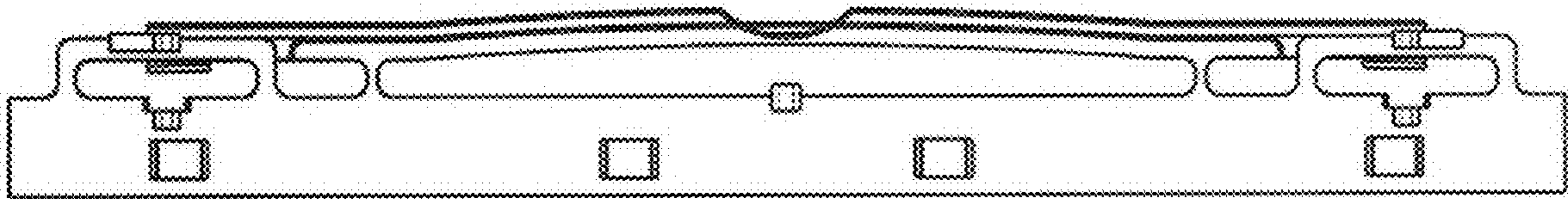
1.4



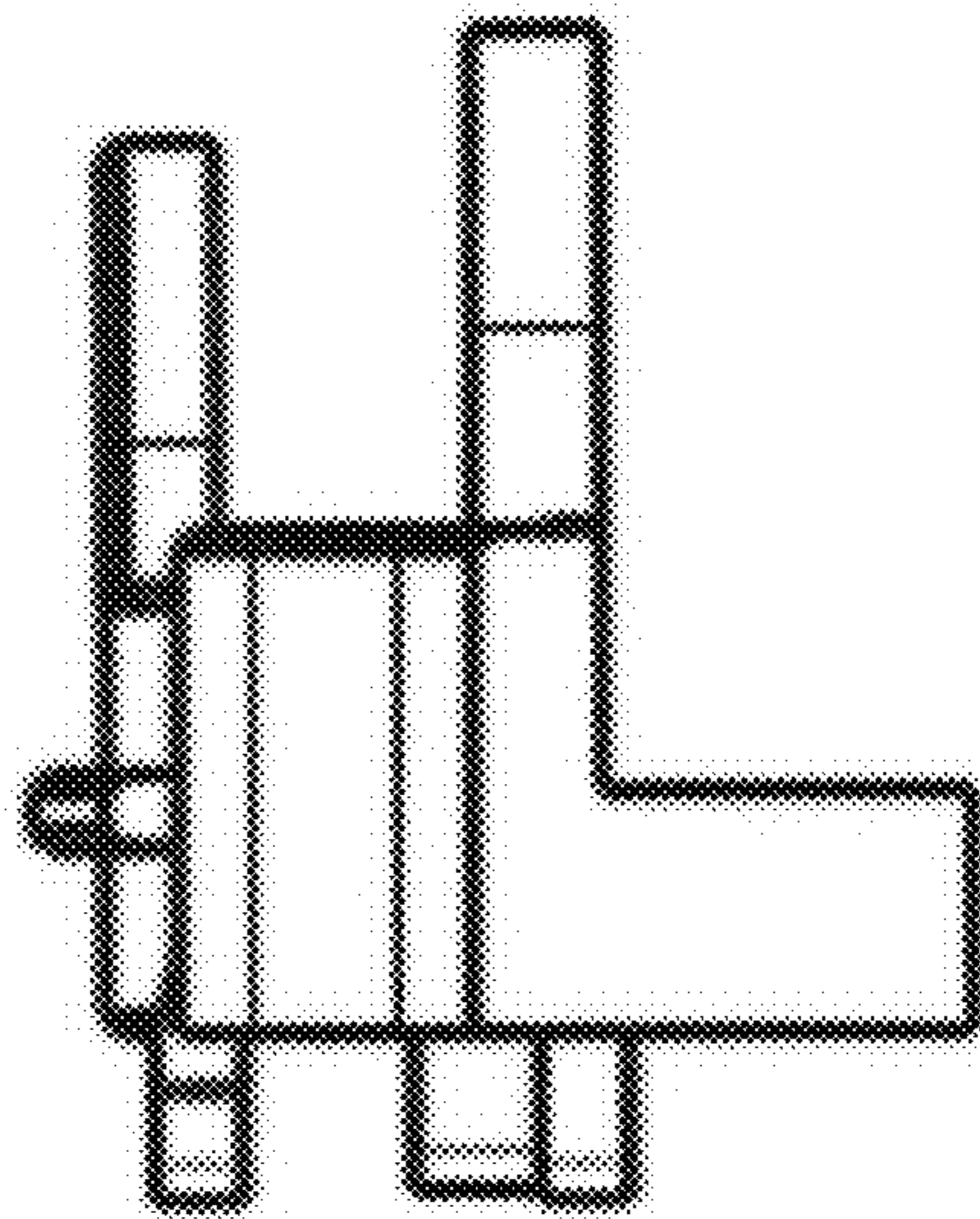
1.5



1.6



1.7



1.8

