



US00D854164S

(12) **United States Design Patent** (10) **Patent No.:** **US D854,164 S**  
**Baaske et al.** (45) **Date of Patent:** **\*\* Jul. 16, 2019**

(54) **MILLING BLANK**  
(71) Applicant: **Ivoclar Vivadent AG**, Schaan (LI)  
(72) Inventors: **Thomas Baaske**, Grabs (CH);  
**Hans-Peter Foser**, Balzers (LI);  
**Markus Heinz**, Naturns (IT); **Christian Frei**, Naturns (IT); **Wolfgang Ruess**,  
Lindau/Oberriet (DE)  
(73) Assignee: **Ivoclar Vivadent AG**, Schaan (LI)  
(\*\*) Term: **15 Years**  
(21) Appl. No.: **29/628,741**  
(22) Filed: **Dec. 7, 2017**

**Related U.S. Application Data**

(60) Continuation of application No. 29/560,808, filed on Apr. 11, 2016, now abandoned, which is a continuation-in-part of application No. 29/531,391, filed on Jun. 25, 2015, now Pat. No. Des. 767,147, which is a division of application No. 29/472,519, filed on Nov. 13, 2013, now Pat. No. Des. 736,389.

(30) **Foreign Application Priority Data**

May 14, 2013 (WO) ..... 738 303 201

(51) **LOC (11) Cl.** ..... **24-02**

(52) **U.S. Cl.**  
USPC ..... **D24/181**

(58) **Field of Classification Search**  
USPC ..... D24/176-181, 152, 155-156  
CPC ..... A61C 13/00; A61C 13/0022; A61C 13/00004; A61C 13/0003; A61C 13/08; A61C 13/081; A61C 13/082; A61C 13/34; A61C 13/0009; A61C 13/0019  
See application file for complete search history.

(56) **References Cited**  
U.S. PATENT DOCUMENTS  
1,976,153 A \* 10/1934 Voigt ..... A61C 13/00  
433/199.1  
7,077,391 B2 \* 7/2006 Filser ..... A61C 13/0003  
269/287  
8,425,812 B2 \* 4/2013 Wagner ..... A61C 13/0022  
264/120  
8,940,402 B2 \* 1/2015 Giordano ..... A61C 13/0022  
428/542.8  
D837,384 S \* 1/2019 Burger ..... D24/181  
2003/0031984 A1 \* 2/2003 Rusin ..... A61C 13/0004  
433/215  
2018/0071063 A1 \* 3/2018 Watzke ..... A61C 13/00

\* cited by examiner

*Primary Examiner* — Wan Laymon

(74) *Attorney, Agent, or Firm* — Ann M. Knab; Thad McMurray

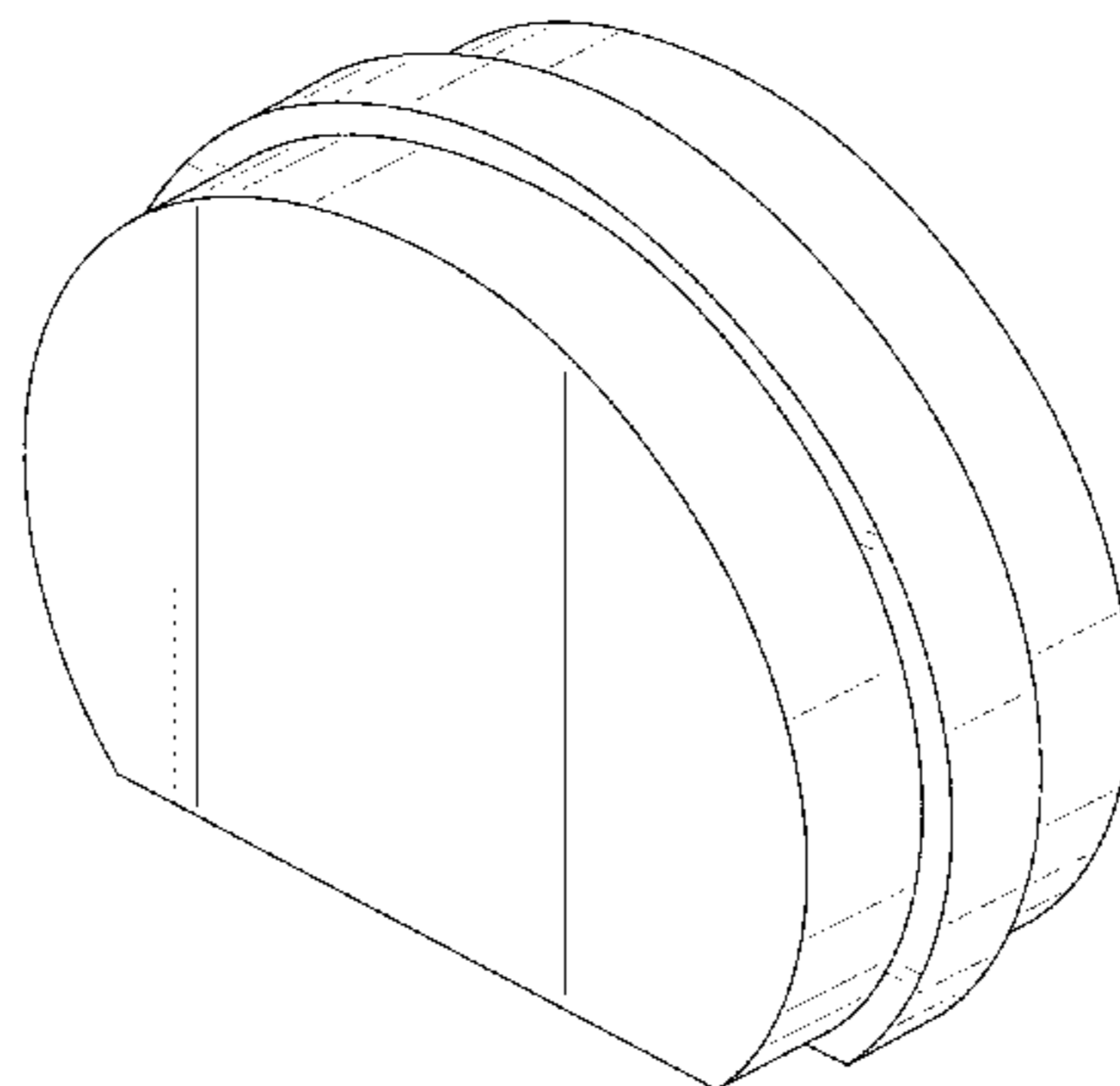
(57) **CLAIM**

The ornamental design for a milling blank, as shown and described.

**DESCRIPTION**

FIG. 1 is a perspective view of a milling blank showing our new design.  
FIG. 2 is a bottom plan view thereof.  
FIG. 3 is a rear view thereof.  
FIG. 4 is a top view thereof.  
FIG. 5 is a front view thereof.  
FIG. 6 is a left side view thereof; and,  
FIG. 7 is a right side view thereof.

**1 Claim, 7 Drawing Sheets**



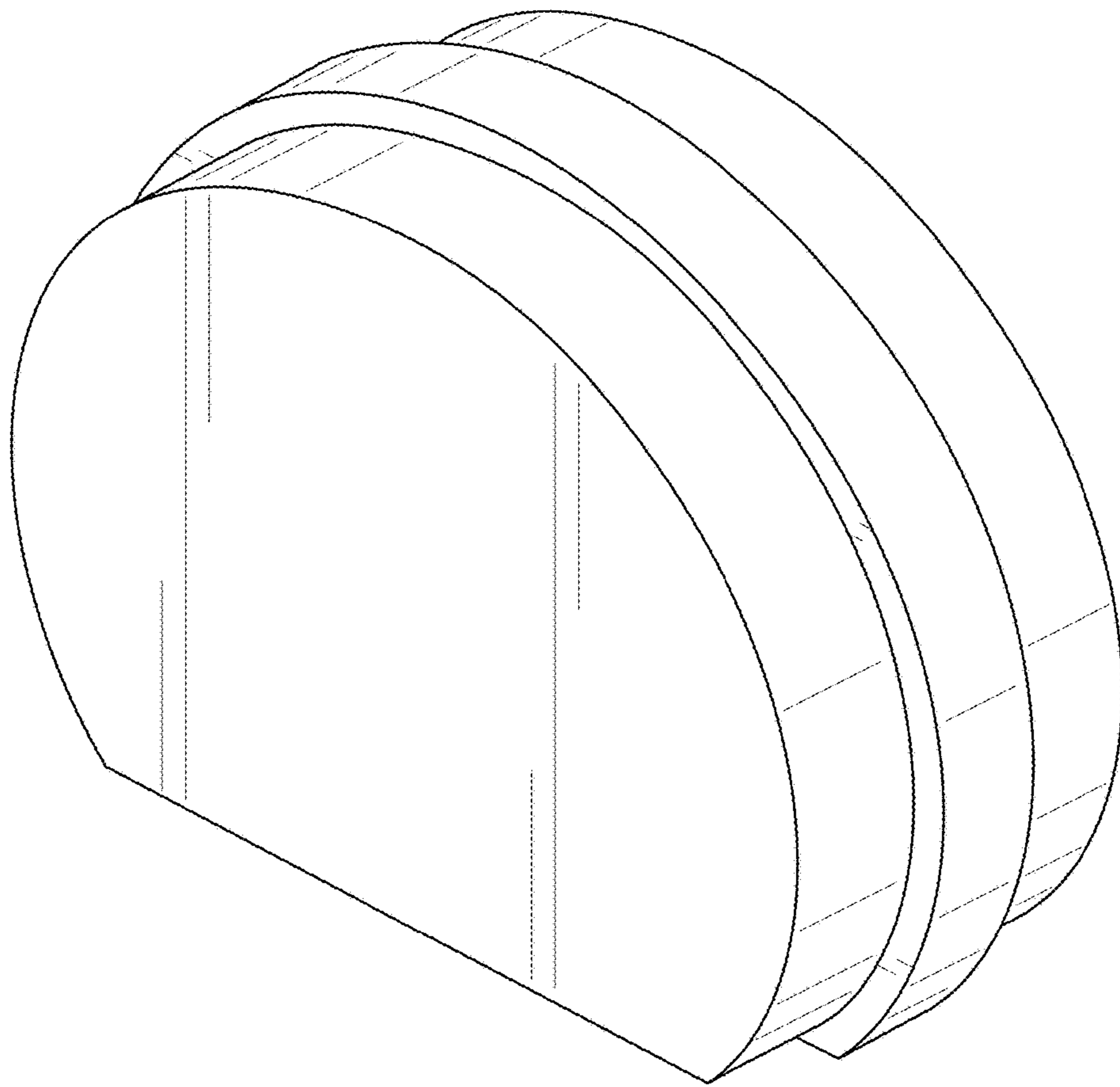


FIG. 1

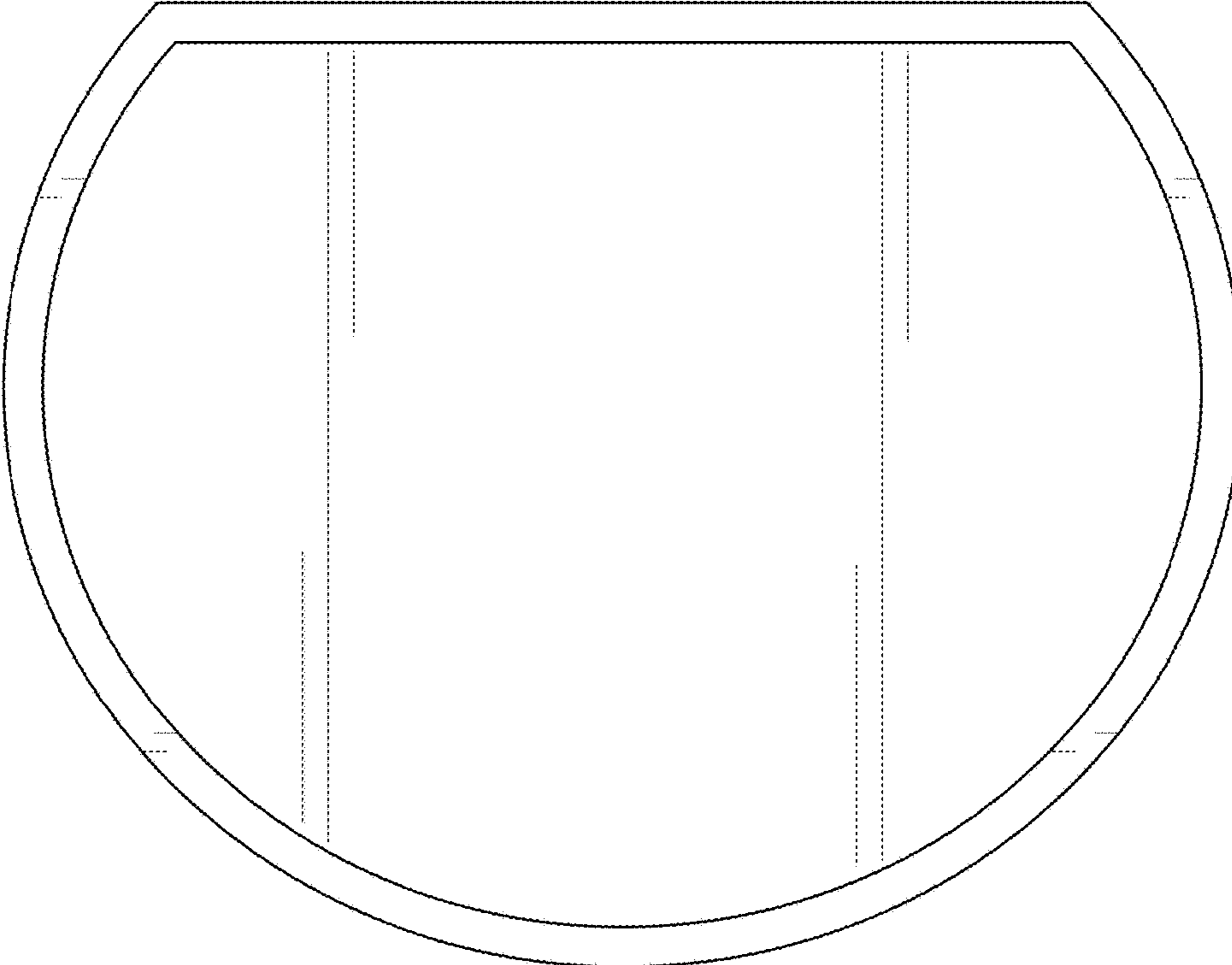


FIG. 2

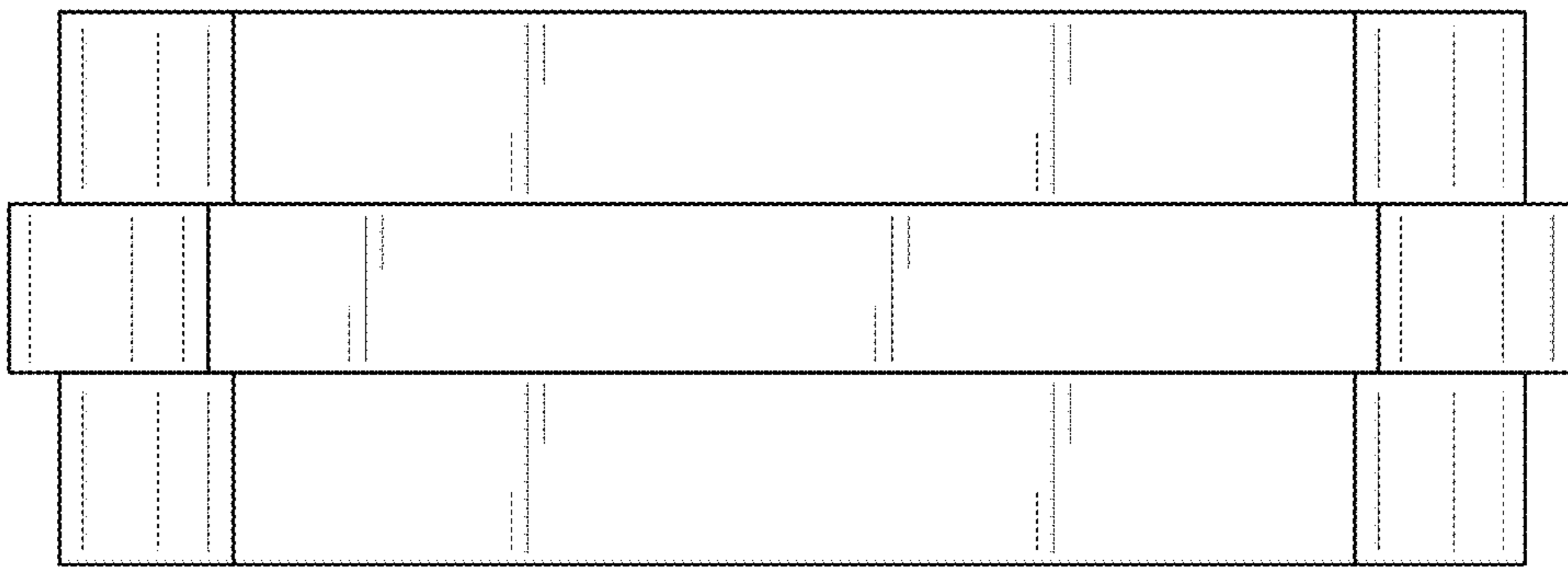


FIG. 3

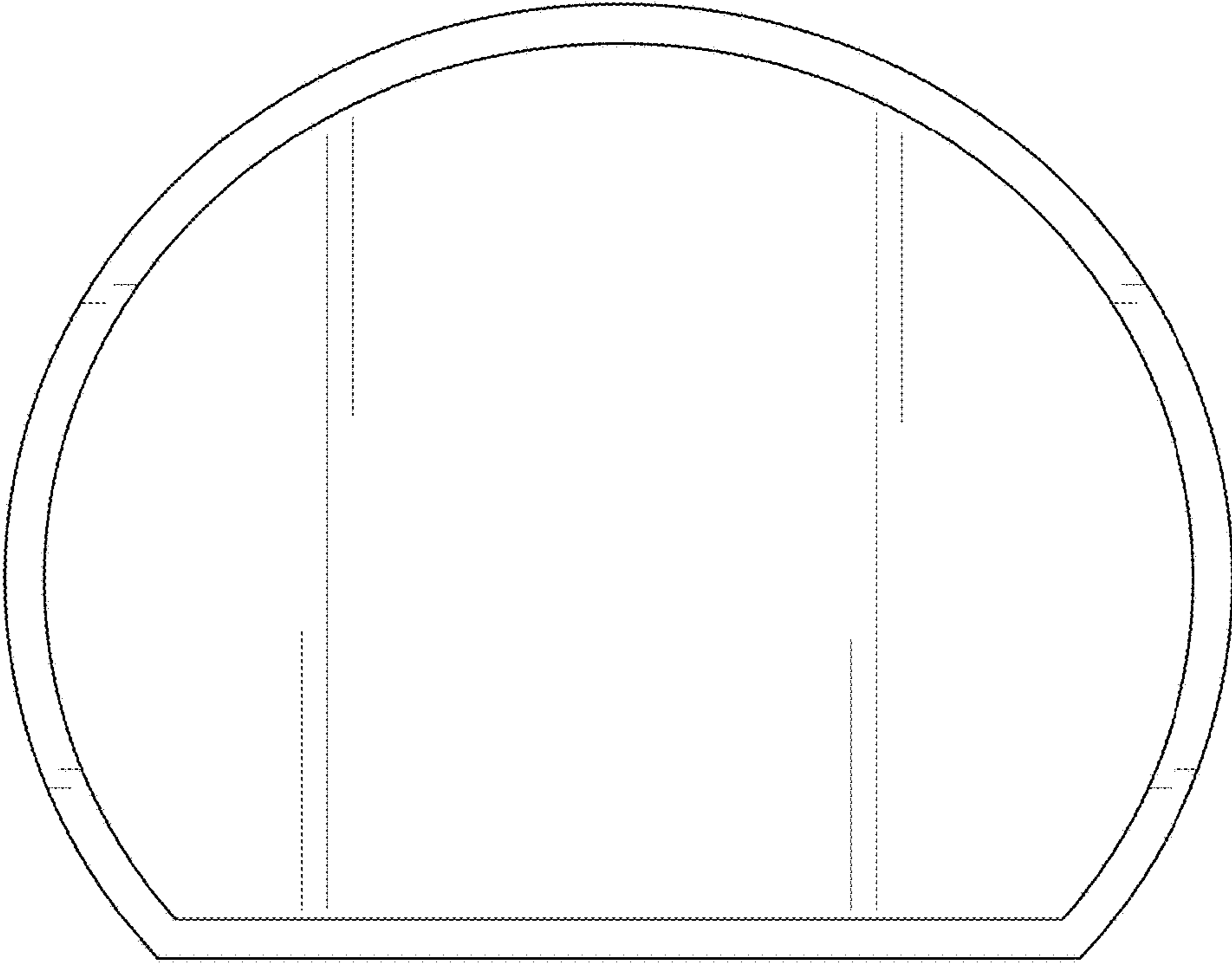


FIG. 4

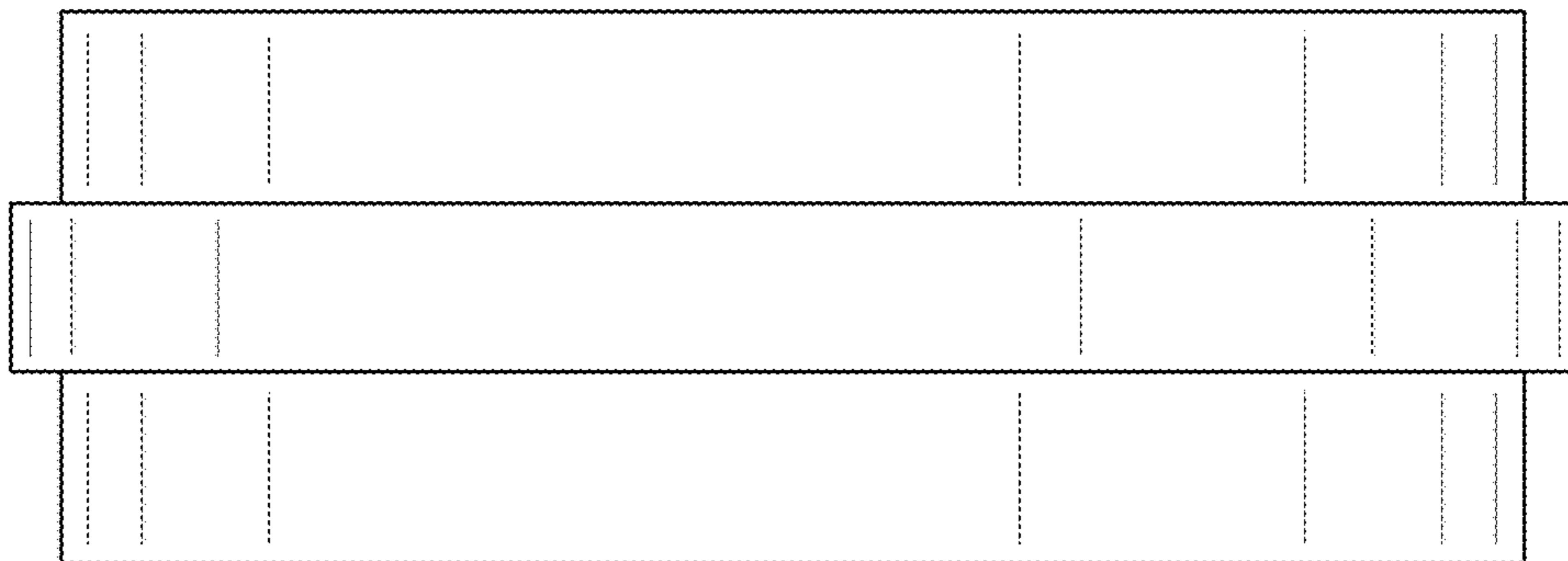


FIG. 5

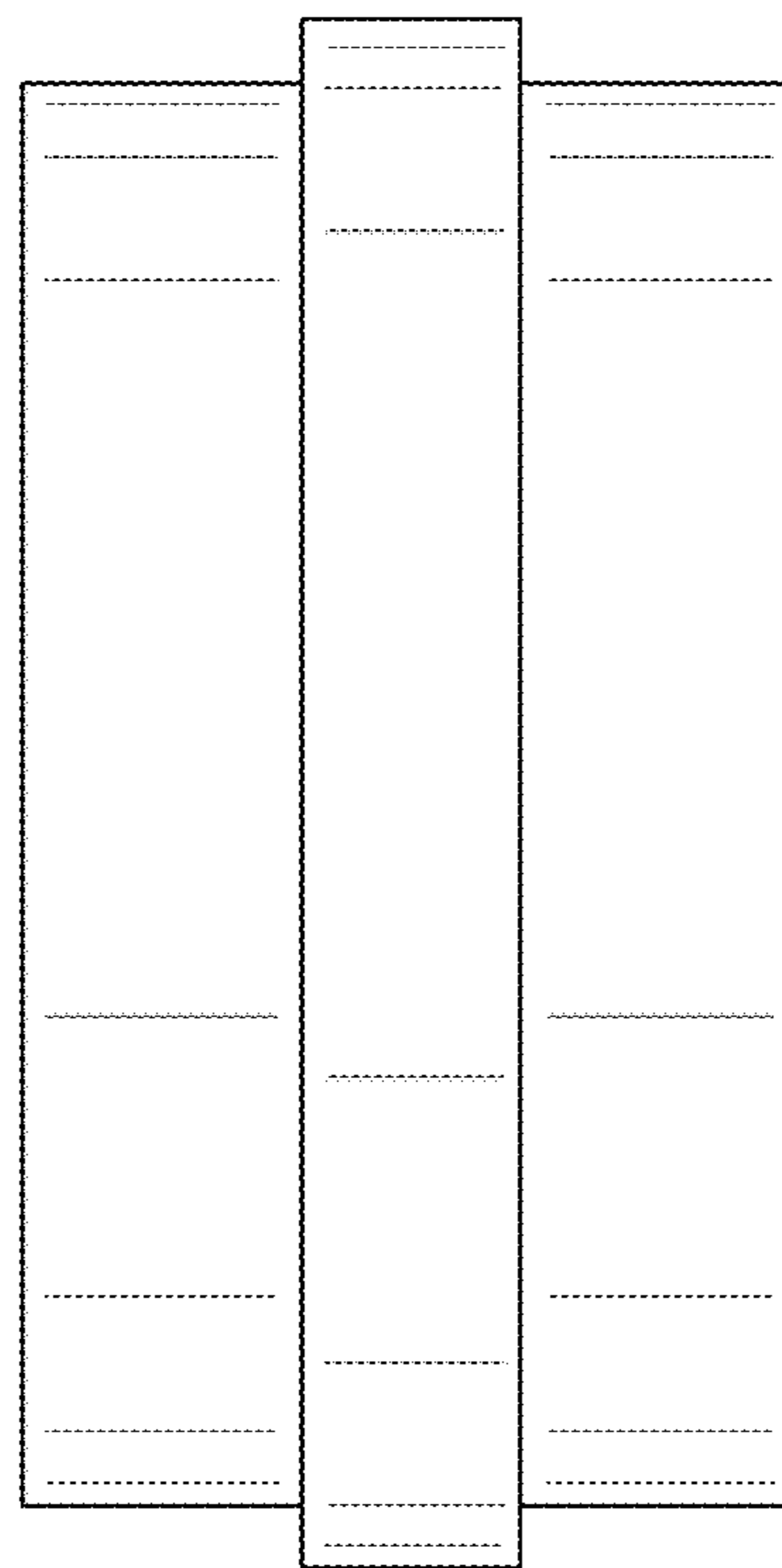


FIG. 6

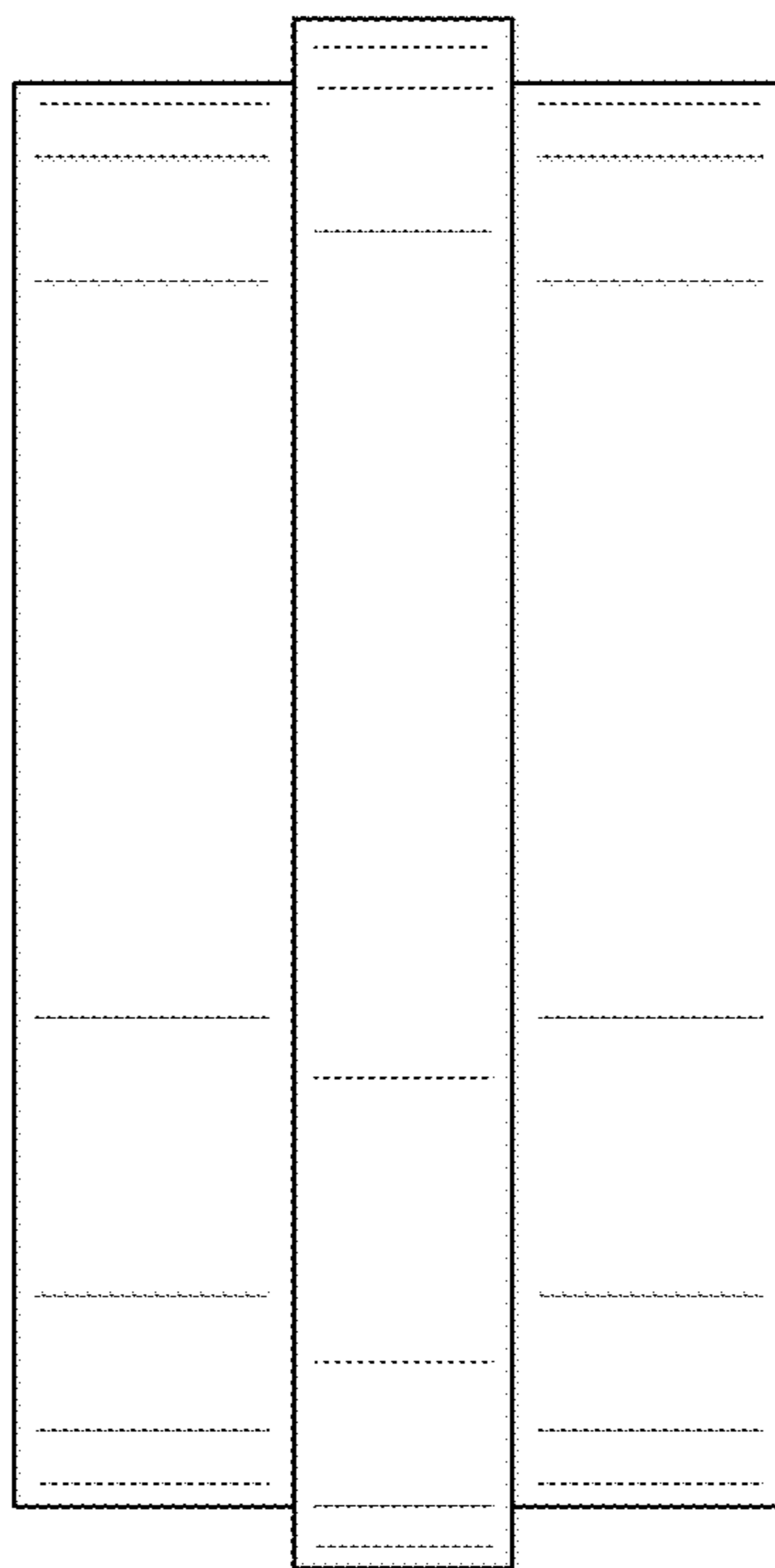


FIG. 7