



US00D854163S

(12) **United States Design Patent** (10) **Patent No.:** **US D854,163 S**
Vela Hernandez (45) **Date of Patent:** **** *Jul. 16, 2019**

- (54) **DENTAL APPLIANCE** 5,358,402 A * 10/1994 Reed A61C 7/141
433/10
- (71) Applicant: **Centro de Innovacion en Ortodoncia,** D358,649 S * 5/1995 Moschik D24/180
S.L., Vitoria (ES) D358,650 S * 5/1995 Moschik D24/180
6,648,638 B2 * 11/2003 Castro A61C 7/14
433/8
- (72) Inventor: **Arturo Vela Hernandez,** Barcelona 6,913,459 B2 * 7/2005 Fukutomi A61C 7/141
(ES) 433/10
- (73) Assignee: **Centro de Innovacion en Ortodoncia,** D648,030 S * 11/2011 Bryant D24/180
S.L., Vitoria (ES) 2008/0070182 A1 * 3/2008 Wyllie A61C 7/141
433/8
- (*) Notice: This patent is subject to a terminal dis- 2015/0306283 A1 * 10/2015 Endo A61C 7/00
claimer. 523/105
2016/0354181 A1 * 12/2016 Sommer A61C 7/287

(**) Term: **15 Years**

(21) Appl. No.: **29/613,261**

(22) Filed: **Aug. 9, 2017**

(30) **Foreign Application Priority Data**

Feb. 9, 2017 (EM) 003745280-0001

(51) **LOC (11) Cl.** **24-02**

(52) **U.S. Cl.**

USPC **D24/180**

(58) **Field of Classification Search**

USPC D24/176-182

CPC A61C 7/287; A61C 7/282; A61C 7/30;

A61C 7/12; A61C 7/14; A61C 7/141;

A61C 7/143; A61C 7/145; A61C 7/146;

A61C 7/00

See application file for complete search history.

(56) **References Cited**

U.S. PATENT DOCUMENTS

D315,957 S * 4/1991 Kelly D24/180

D331,975 S * 12/1992 Pospisil D24/180

* cited by examiner

Primary Examiner — Wan Laymon

(57) **CLAIM**

The ornamental design for a dental appliance, as shown and described.

DESCRIPTION

FIG. 1 is a top view of the dental appliance, showing my new design;

FIG. 2 is a left side view thereof;

FIG. 3 is a front view thereof;

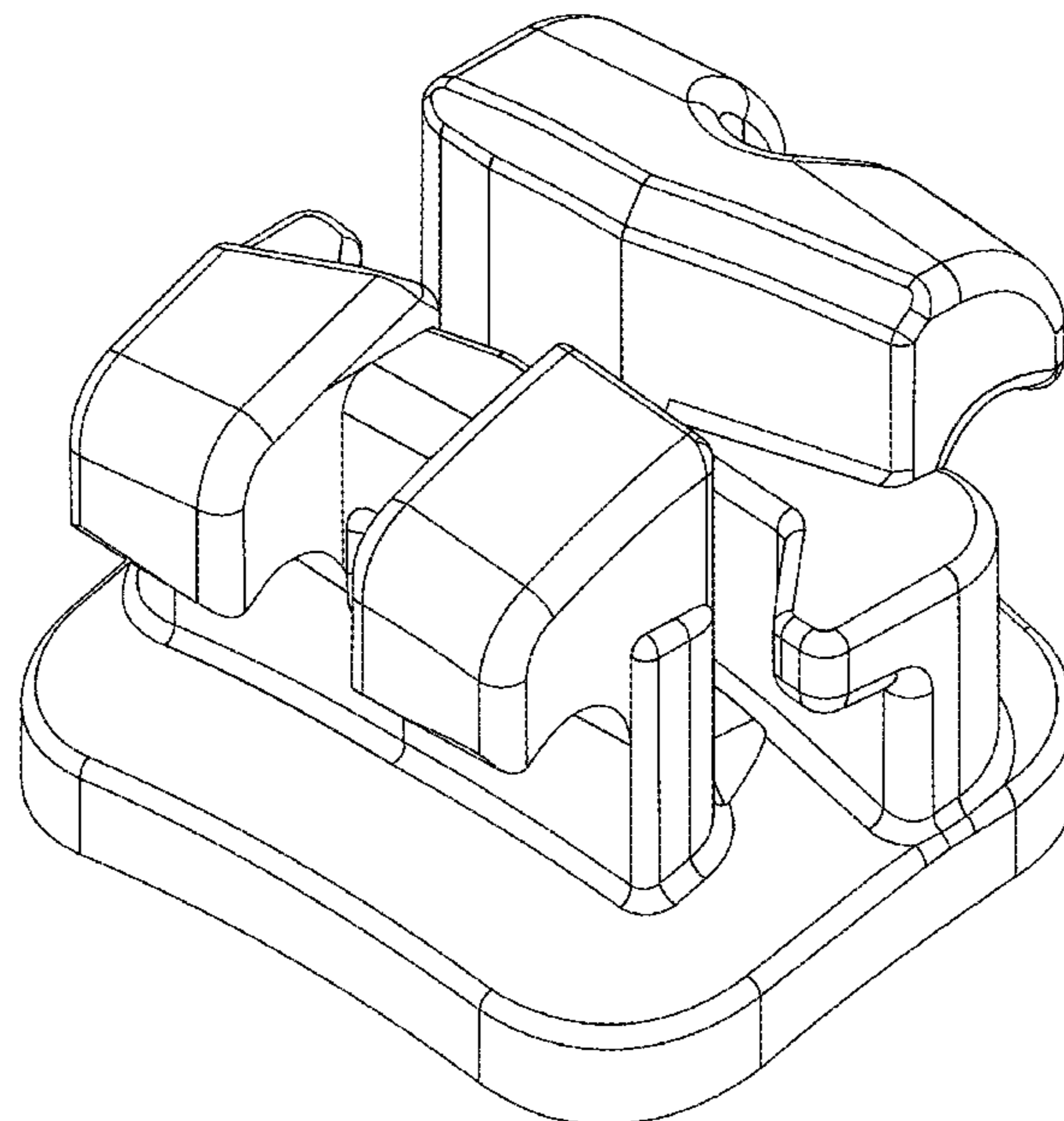
FIG. 4 is a bottom view thereof;

FIG. 5 is a right side view thereof;

FIG. 6 is a rear view thereof; and,

FIG. 7 is a front perspective view thereof.

1 Claim, 7 Drawing Sheets



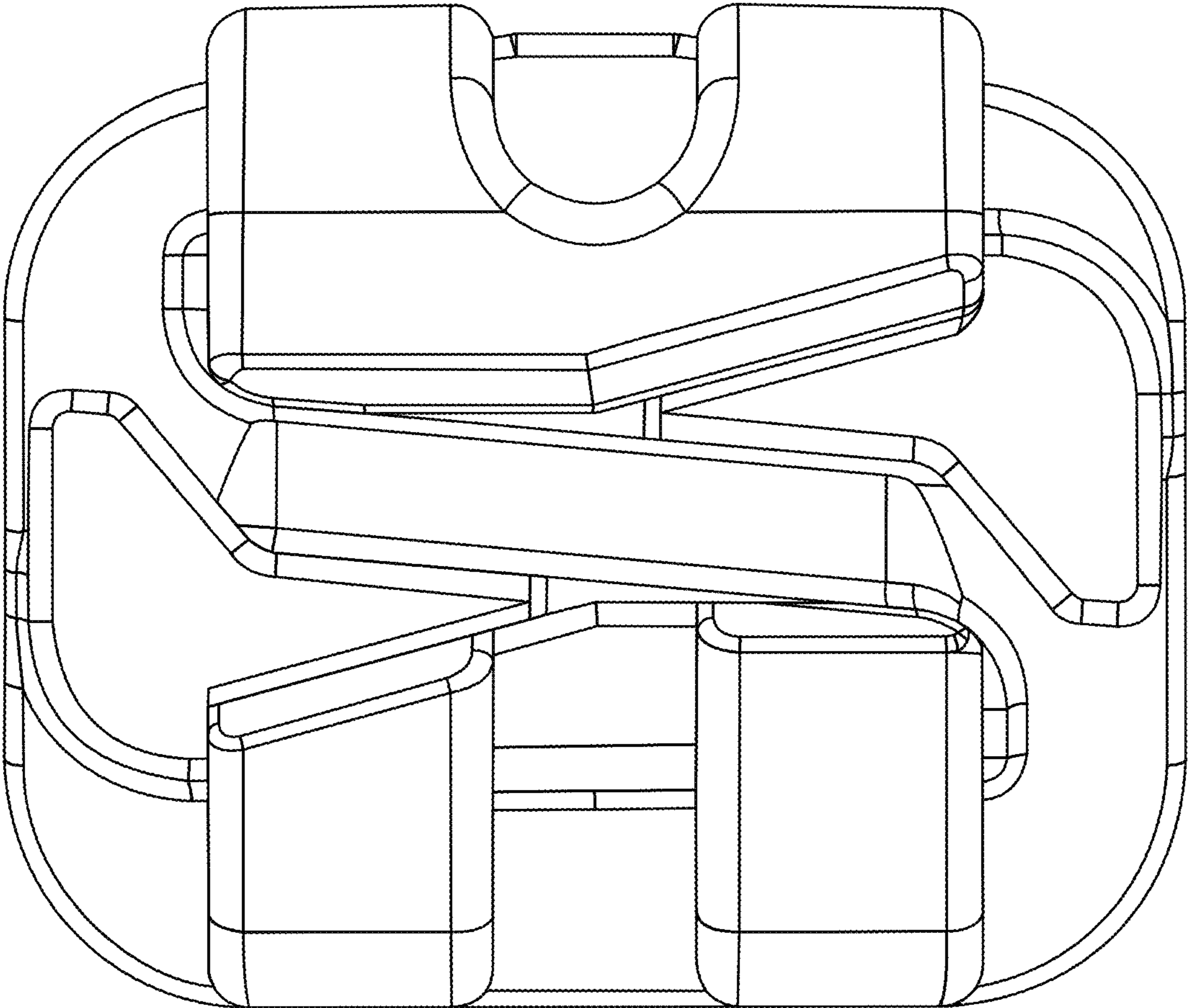


FIG. 1

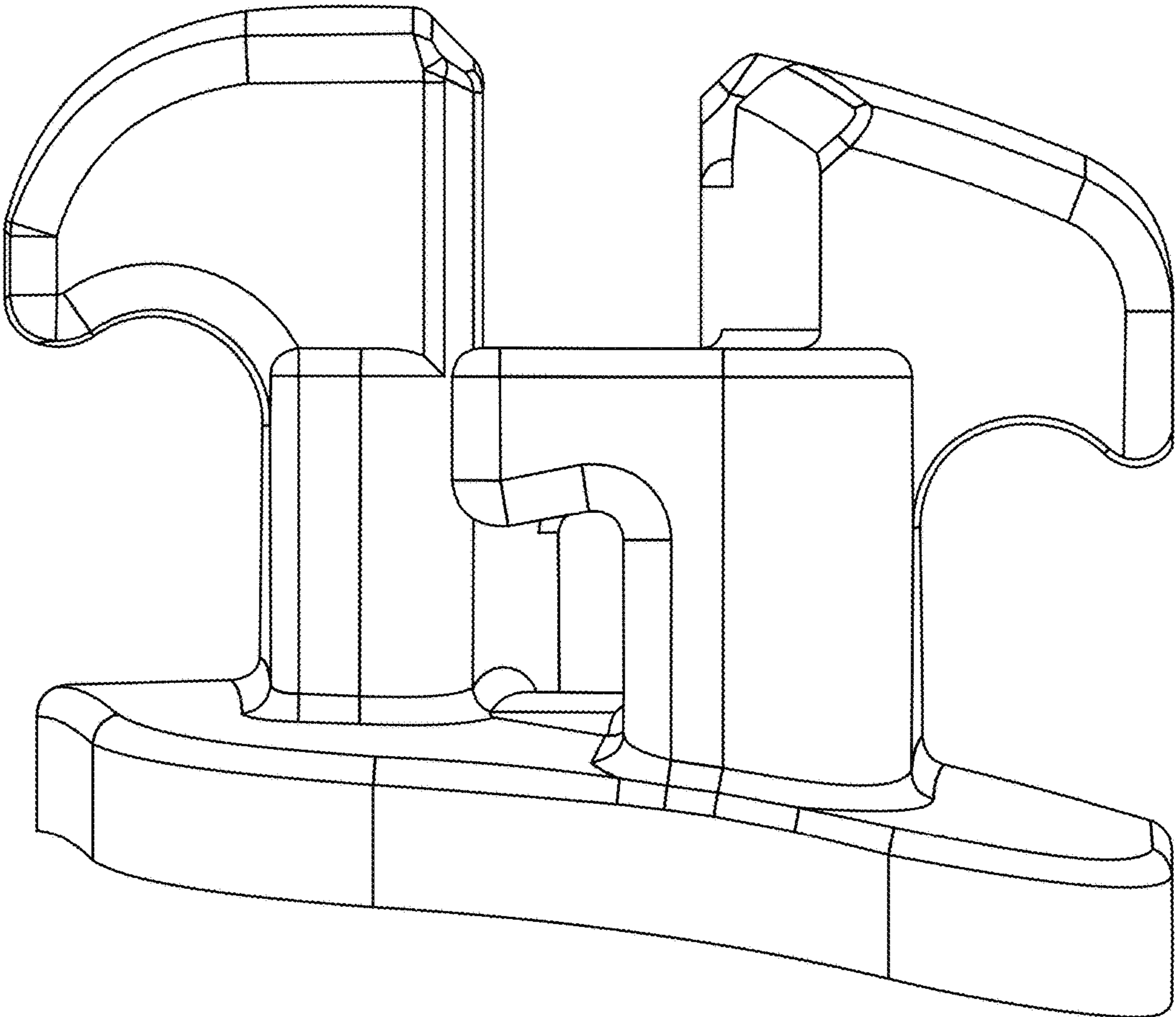


FIG. 2

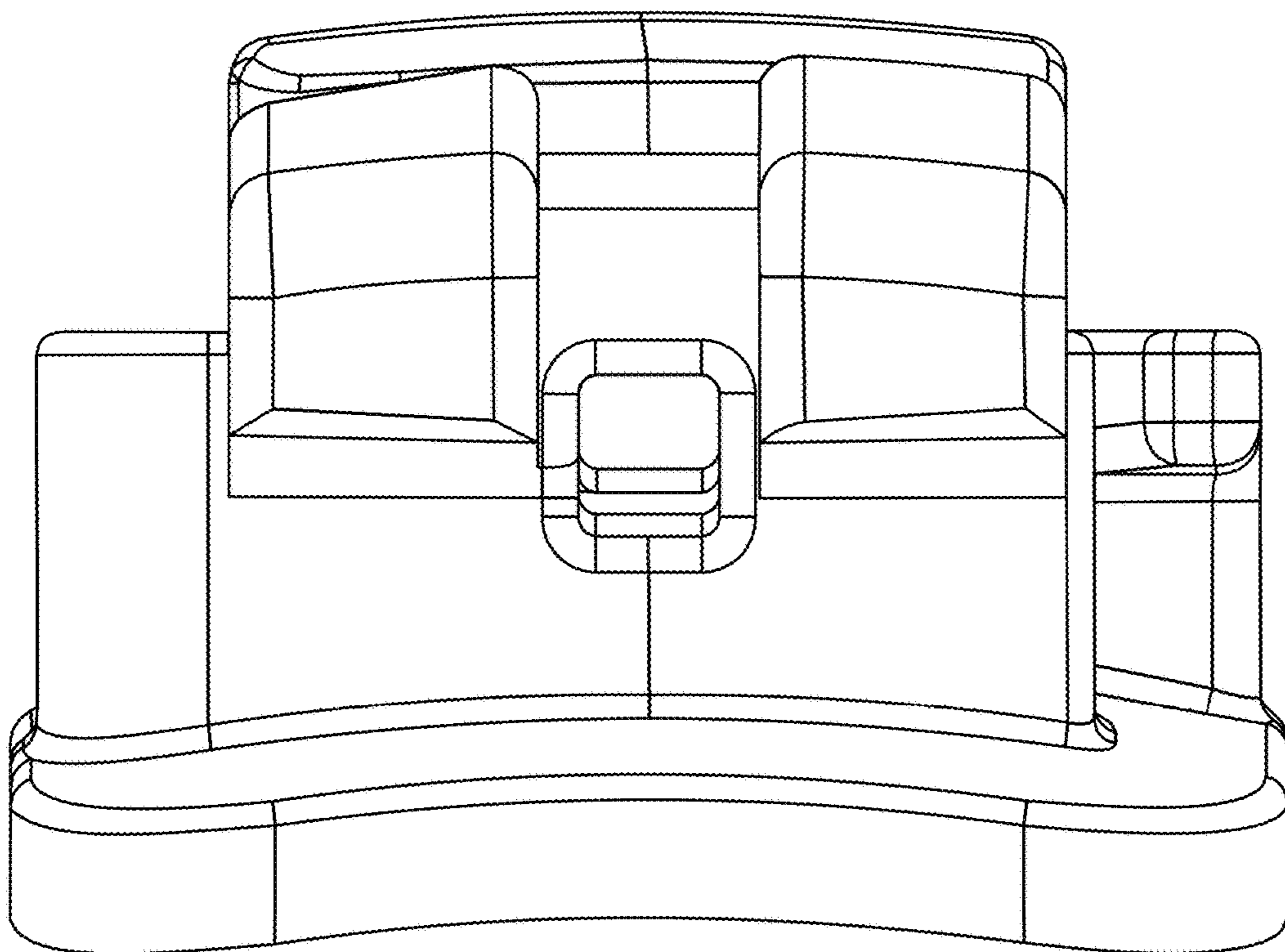


FIG. 3

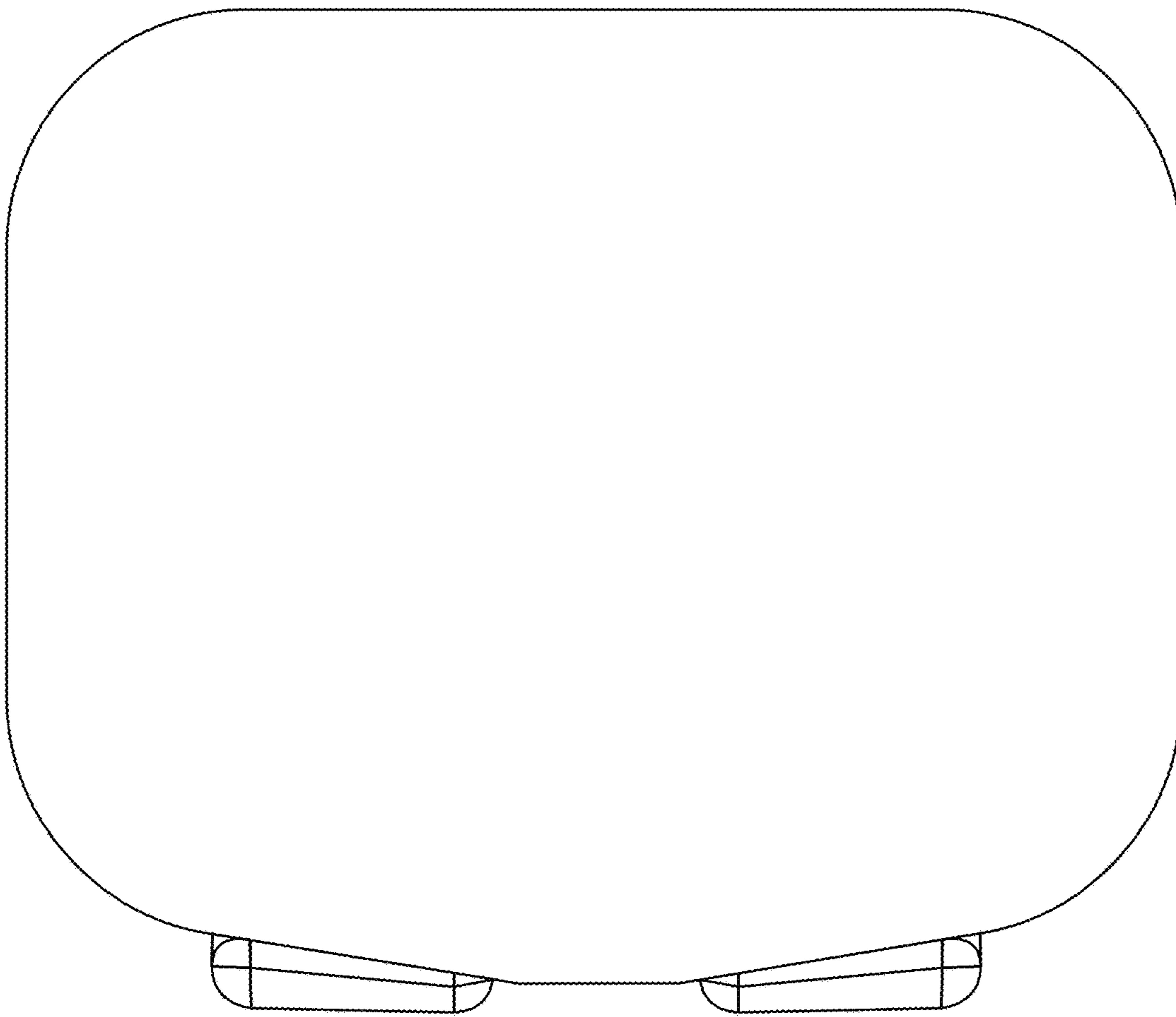


FIG. 4

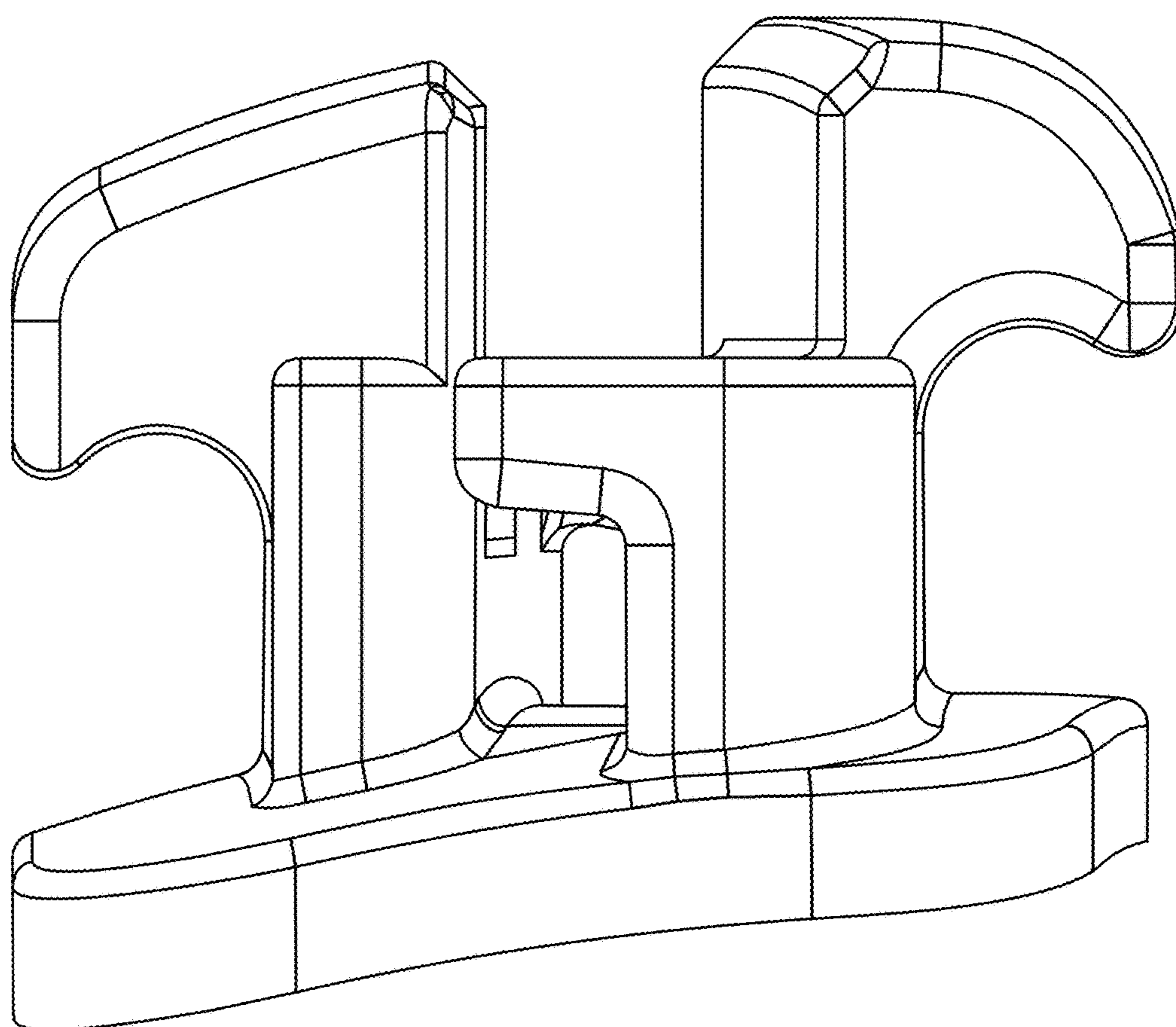


FIG. 5

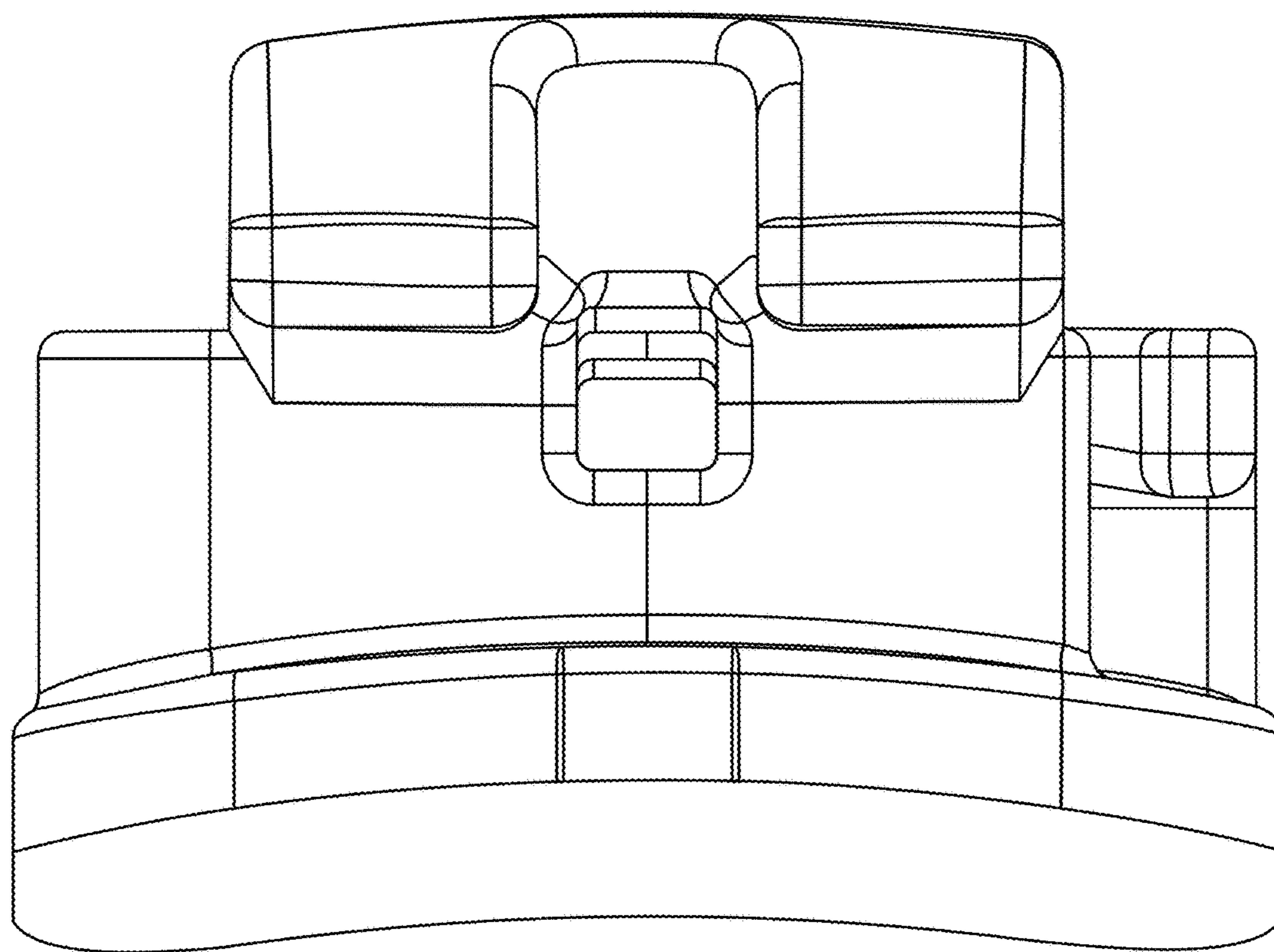


FIG. 6

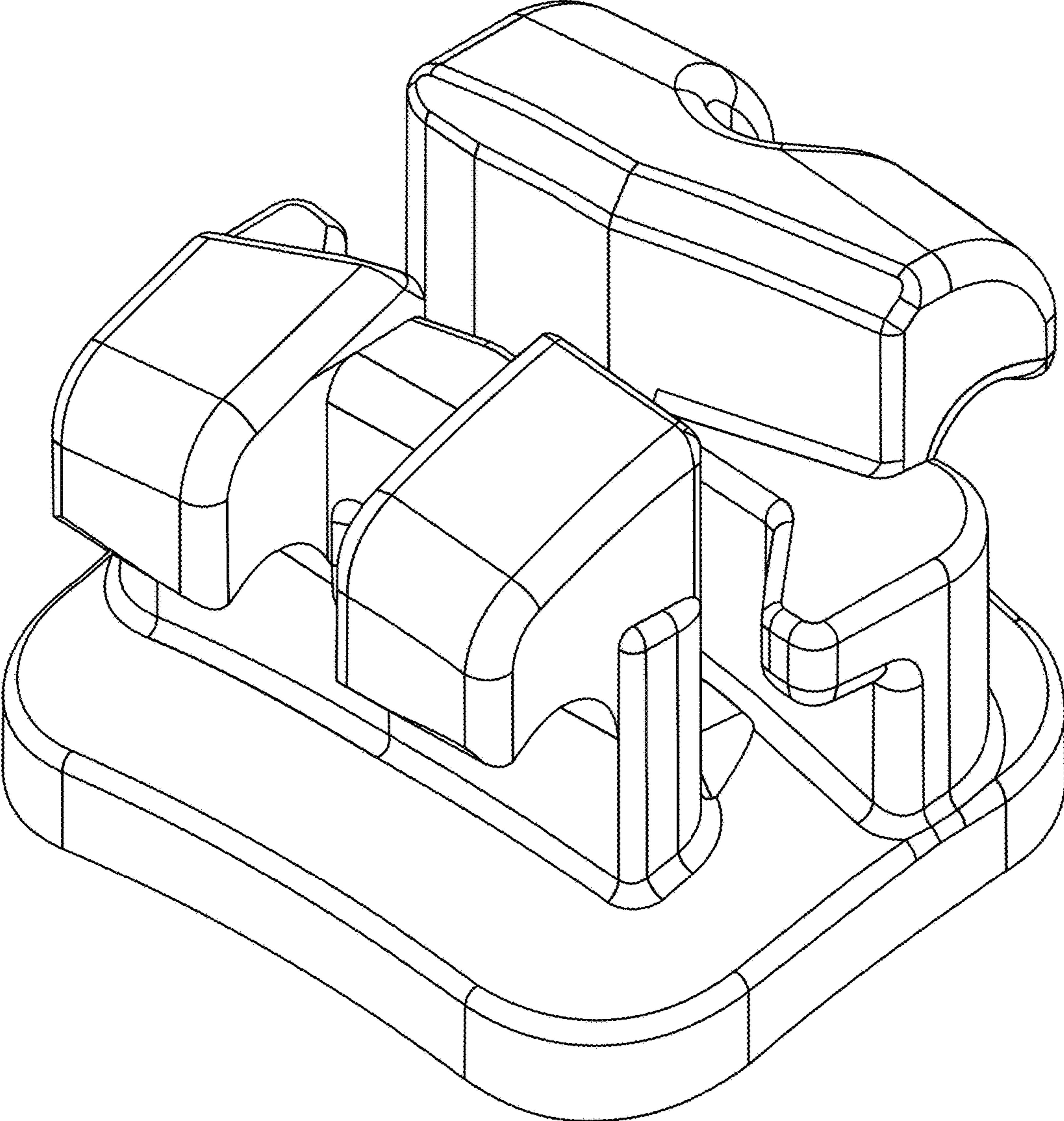


FIG. 7