



US00D854160S

(12) **United States Design Patent**
Long et al.

(10) **Patent No.:** **US D854,160 S**
(45) **Date of Patent:** **** Jul. 16, 2019**

- (54) **LATERAL FLOW READER**
- (71) Applicant: **Alere Switzerland GmbH, Zug (CH)**
- (72) Inventors: **Nicholas David Long, Harrold (GB); Robin Brown, Bletsoe (GB)**
- (73) Assignee: **Alere Switzerland GmbH, Zug (CH)**
- (**) Term: **15 Years**
- (21) Appl. No.: **29/630,807**
- (22) Filed: **Dec. 22, 2017**
- Related U.S. Application Data**
- (63) Continuation of application No. 29/557,903, filed on Mar. 14, 2016, now Pat. No. Des. 809,143.
- (51) **LOC (11) Cl.** **24-02**
- (52) **U.S. Cl.**
USPC **D24/164**
- (58) **Field of Classification Search**
USPC D24/164, 231, 185; D10/81; 424/9.1, 424/139.1; 422/412; 204/403.02; 600/479, 484, 324; 604/39, 387, 135; 385/53; 356/218; 378/117; 101/453
CPC .. B01L 3/5023; B01L 3/502707; B01L 3/508; B01L 3/502; A61B 10/0038; A61B 18/24; A61B 6/10; A61B 5/02416; A61B 5/0205; A61B 5/14551; G01N 33/6896; A61K 31/00; A61L 2/04; A61F 13/472; A61M 3/0287; B41C 1/04
See application file for complete search history.

- 4,653,498 A * 3/1987 New, Jr. A61B 5/14551 600/324
 - 4,742,011 A * 5/1988 Blake B01L 3/502 422/412
 - 4,758,241 A * 7/1988 Papajohn A61F 13/472 604/387
 - 4,769,003 A * 9/1988 Stamler A61M 3/0287 604/39
 - 4,911,075 A * 3/1990 Lewis B41C 1/04 101/453
 - 4,991,193 A * 2/1991 Cecil A61B 6/10 378/117
 - 5,006,309 A * 4/1991 Khalil B01L 3/5023 422/414
 - 5,075,078 A 12/1991 Osikowicz et al.
 - 5,096,669 A * 3/1992 Lauks B01L 3/502707 204/403.02
 - 5,260,221 A 11/1993 Ramel et al.
 - 5,316,732 A 5/1994 Golukhov et al.
- (Continued)

Primary Examiner — Rhea Shields
(74) *Attorney, Agent, or Firm* — Foley Hoag LLP

(57) **CLAIM**

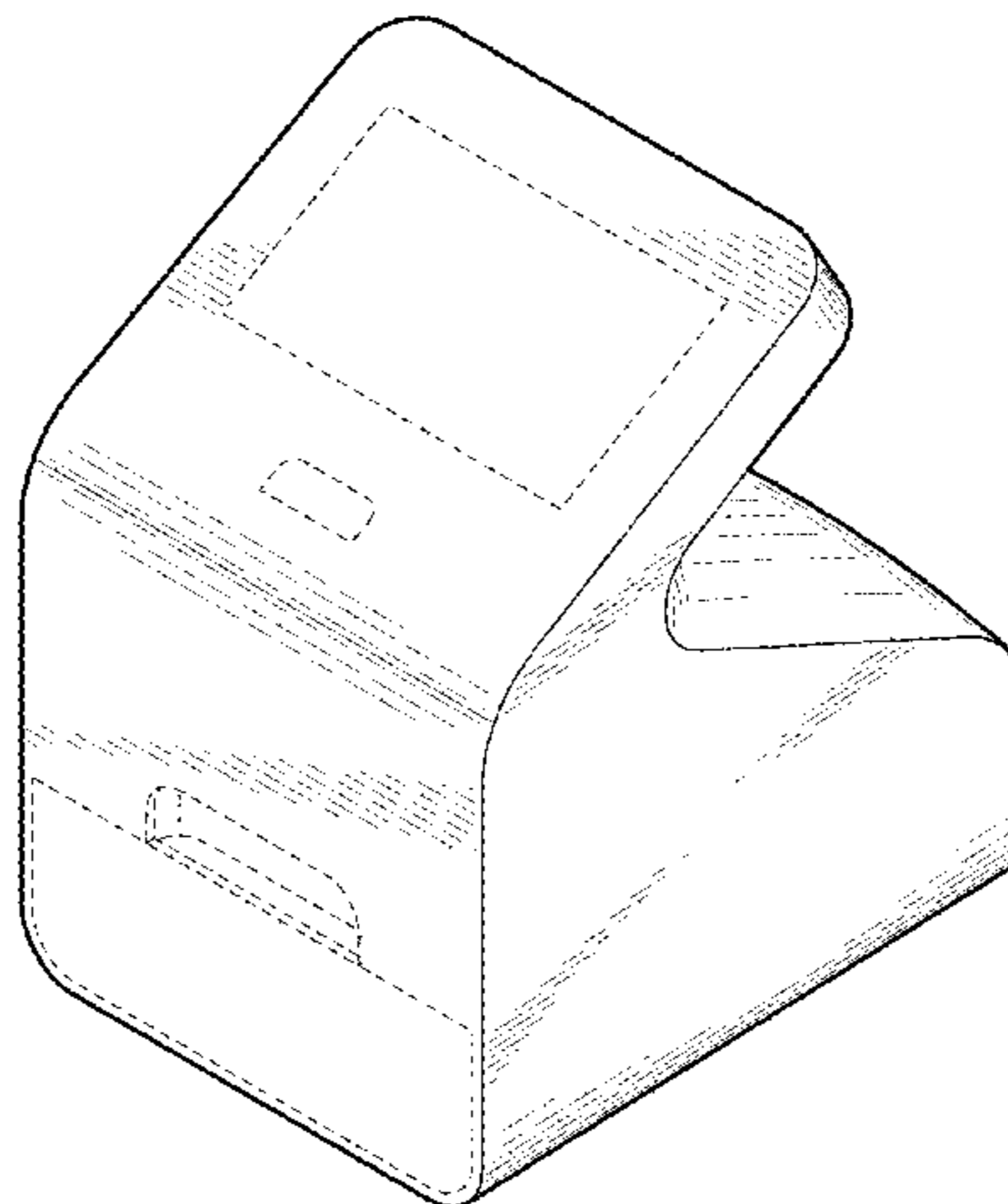
The ornamental design for a lateral flow reader, as shown and described.

DESCRIPTION

FIG. 1 is a front, side perspective view of a lateral flow reader;
FIG. 2 is a front view thereof;
FIG. 3 is a side view thereof;
FIG. 4 is a rear view thereof;
FIG. 5 is another side view thereof;
FIG. 6 is a top plan view thereof; and,
FIG. 7 is a bottom plan view thereof.
In the drawings, the broken lines are for the purpose of illustrating environment only and form no part of the claimed design.

1 Claim, 4 Drawing Sheets

- (56) **References Cited**
U.S. PATENT DOCUMENTS
3,675,640 A * 7/1972 Gatts A61B 5/0205 600/484
4,121,574 A * 10/1978 Lester A61B 5/02416 600/479



(56)

References Cited

U.S. PATENT DOCUMENTS

5,378,233	A *	1/1995	Haber	A61M 5/19 604/135
5,653,940	A *	8/1997	Carey	B01L 3/508 356/218
5,658,456	A *	8/1997	Kenley	A61L 2/04 210/85
5,742,718	A *	4/1998	Harman	A61B 18/24 385/53
6,261,559	B1 *	7/2001	Levitt	A61K 31/00 424/139.1
D675,336	S	1/2013	Laverack et al.	
D686,311	S	7/2013	Mori	
8,753,607	B2 *	6/2014	Neuman	G01N 33/6896 424/9.1
D753,311	S	4/2016	Long	
D753,312	S	4/2016	Long	
D789,815	S *	6/2017	Khattak	D10/81
D796,050	S	8/2017	Nishikawa et al.	
D809,143	S *	1/2018	Long	D24/164
D820,130	S *	6/2018	Khattak	D10/81
2003/0180815	A1	9/2003	Rawson et al.	
2012/0321519	A1	12/2012	Brown	

* cited by examiner

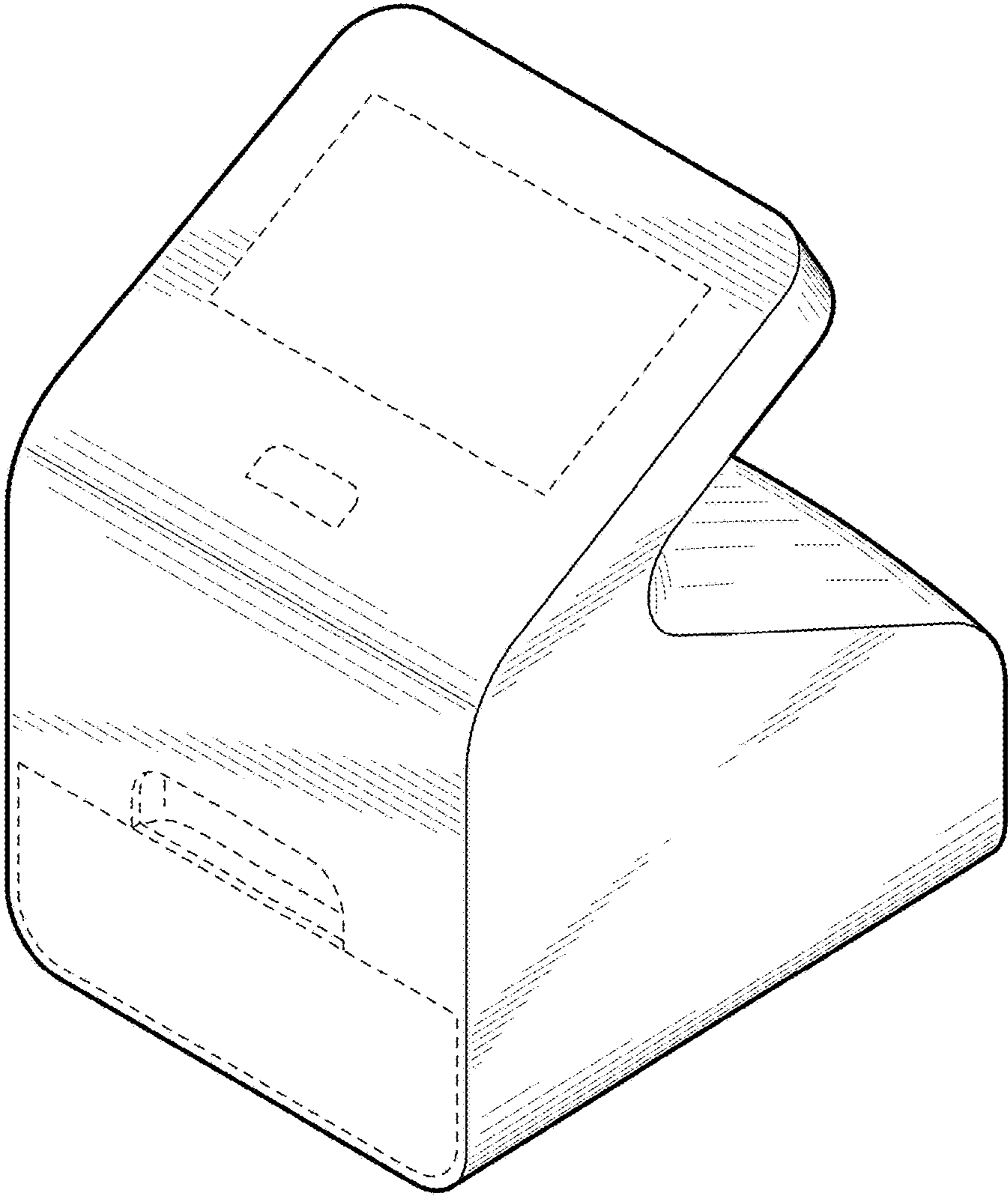


FIG. 1

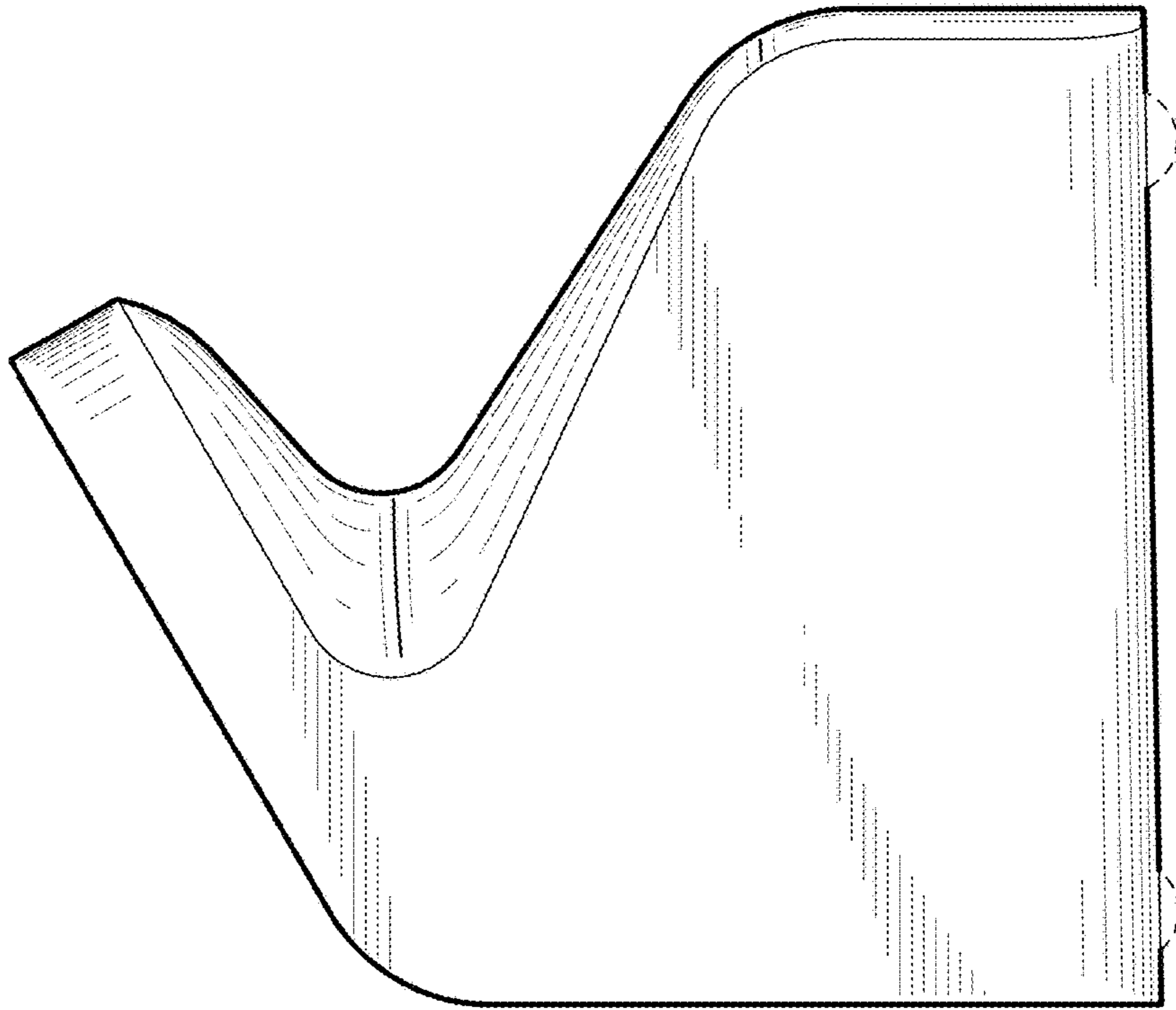


FIG. 3

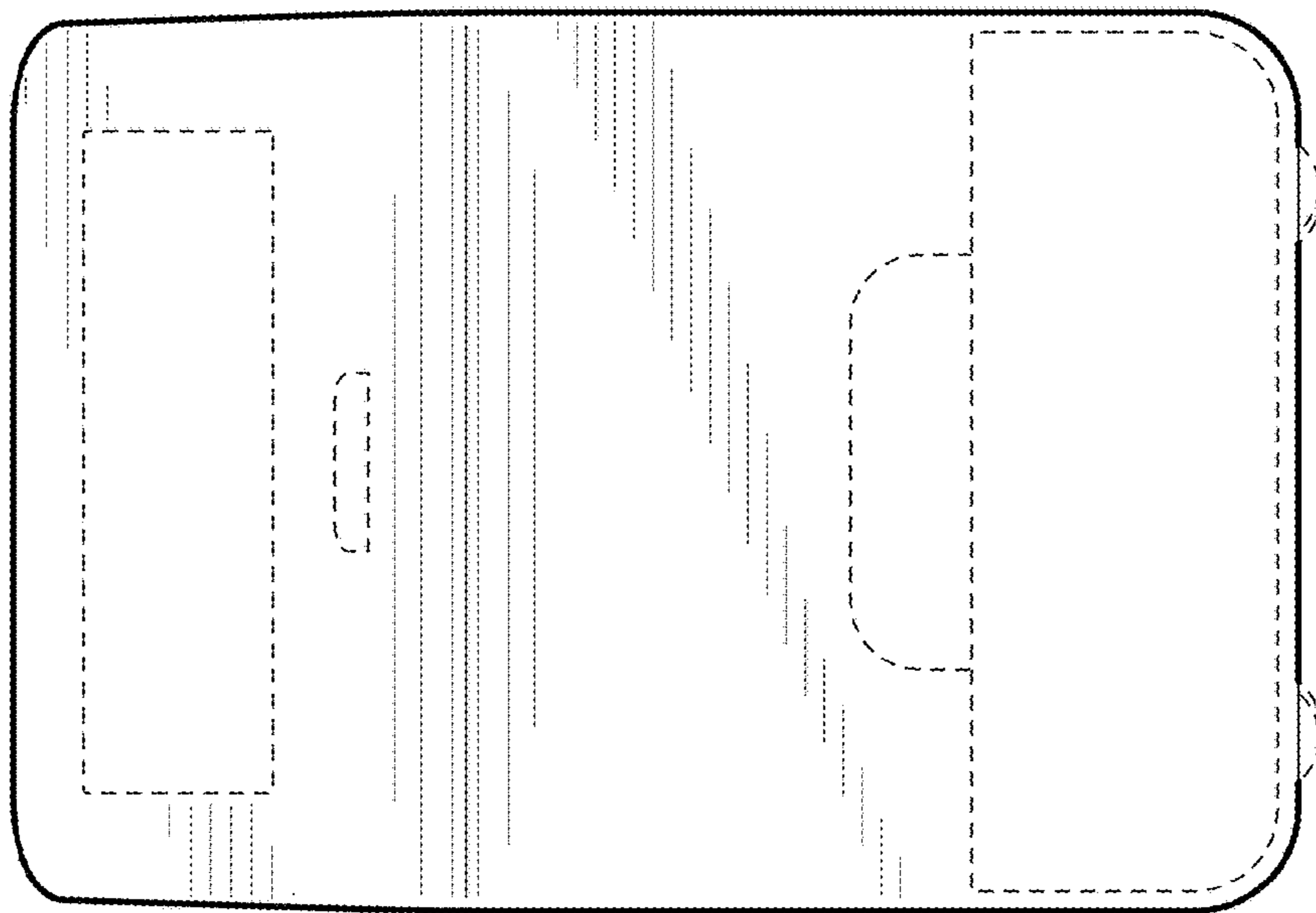


FIG. 2

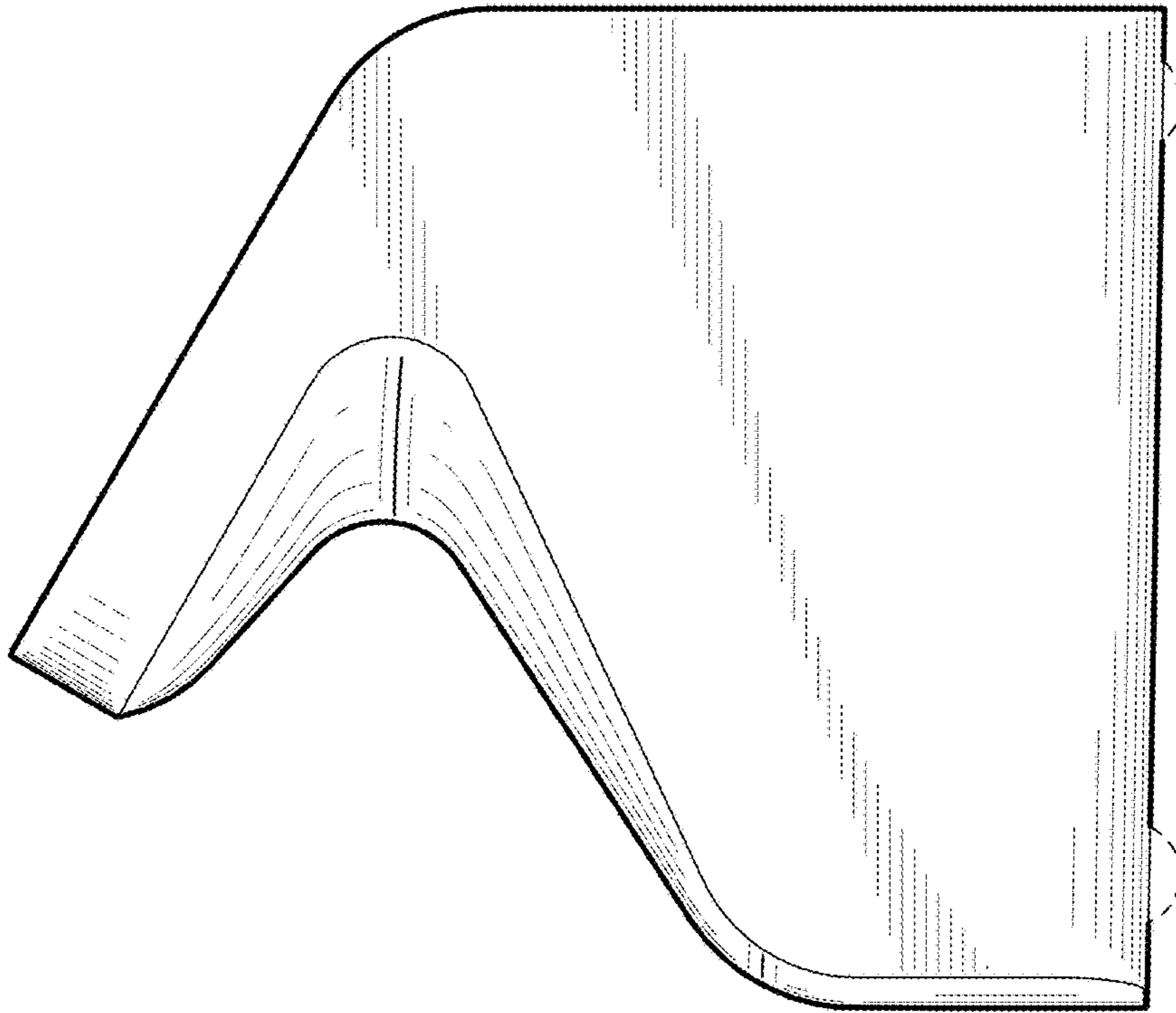


FIG. 5

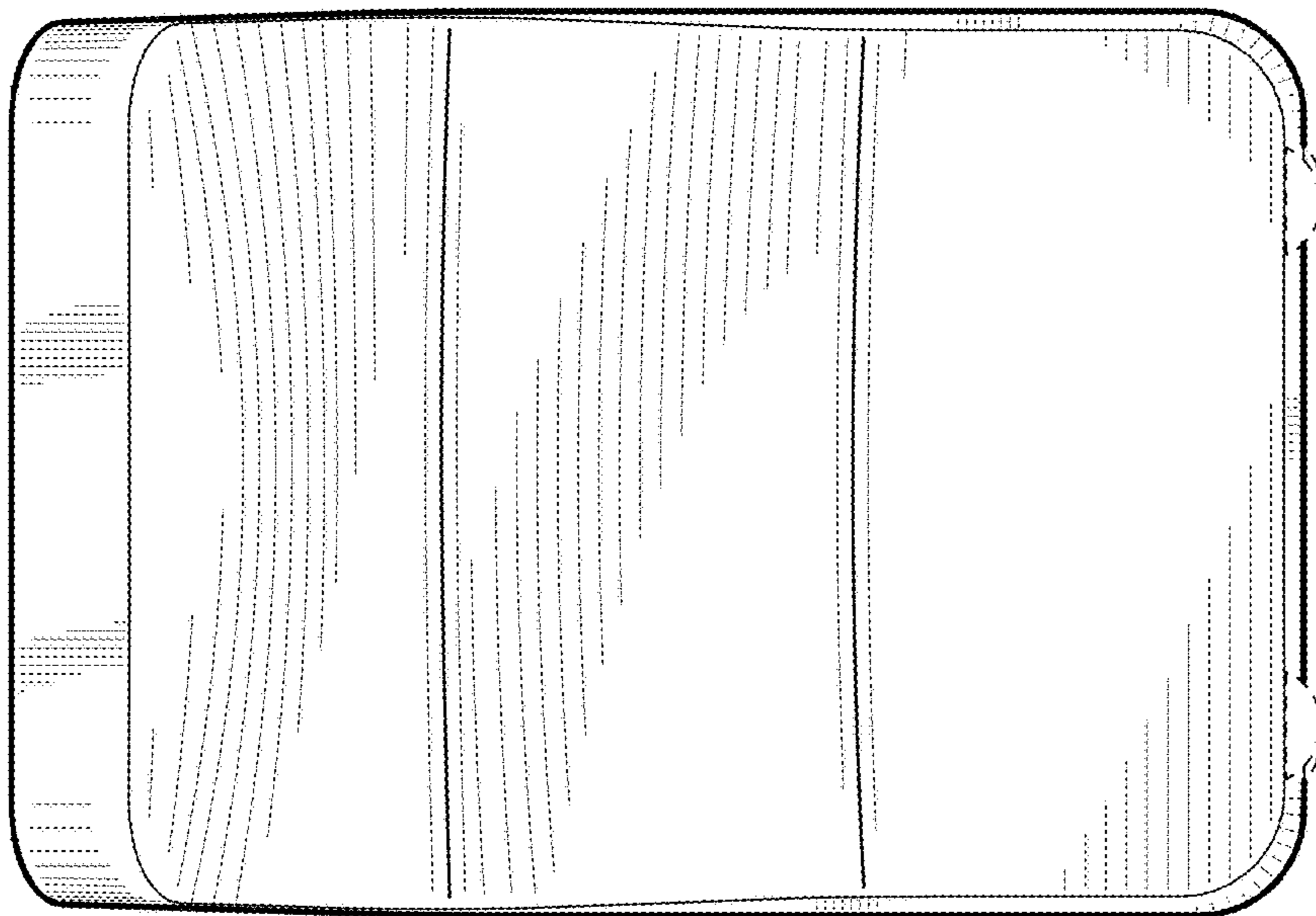


FIG. 4

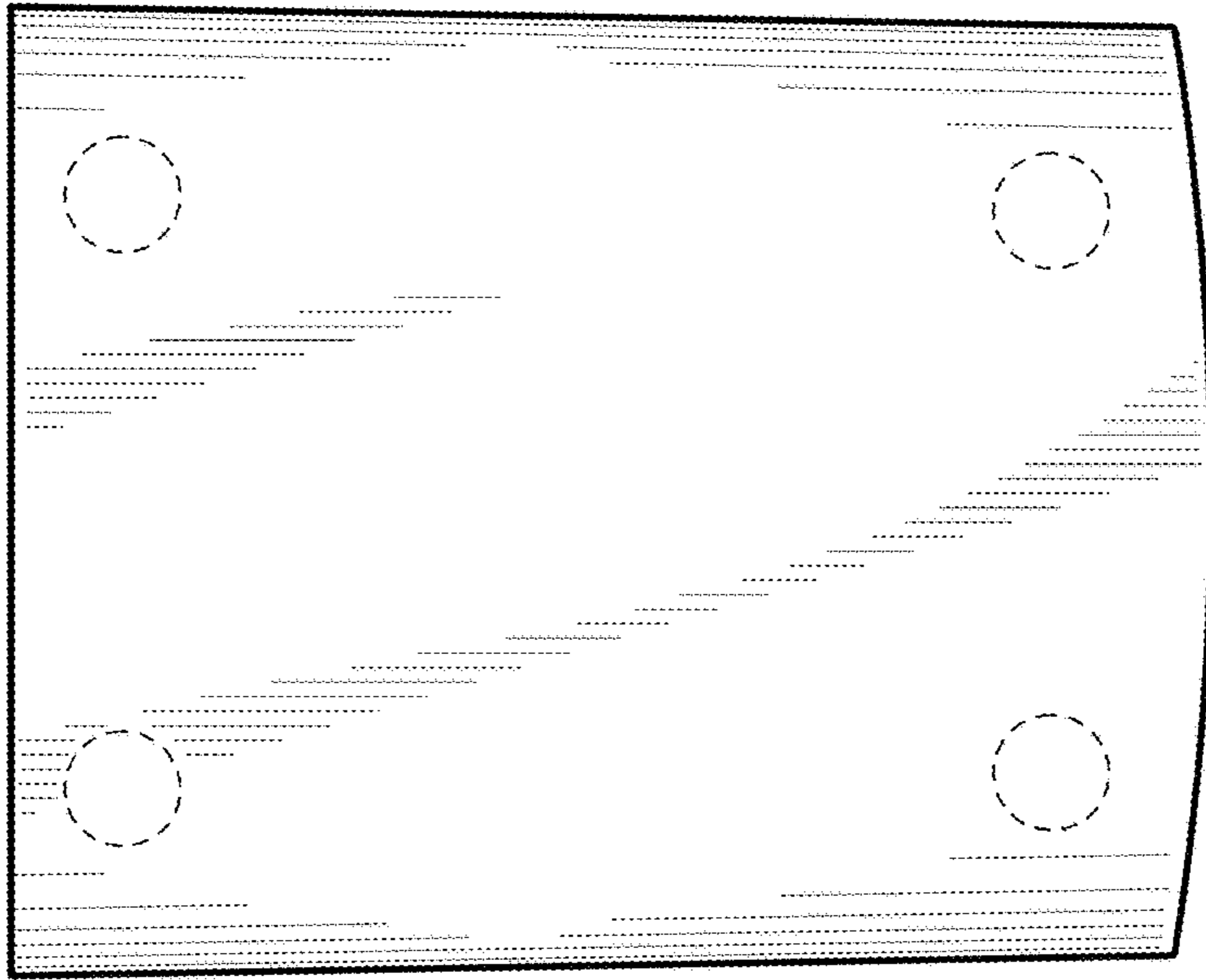


FIG. 7

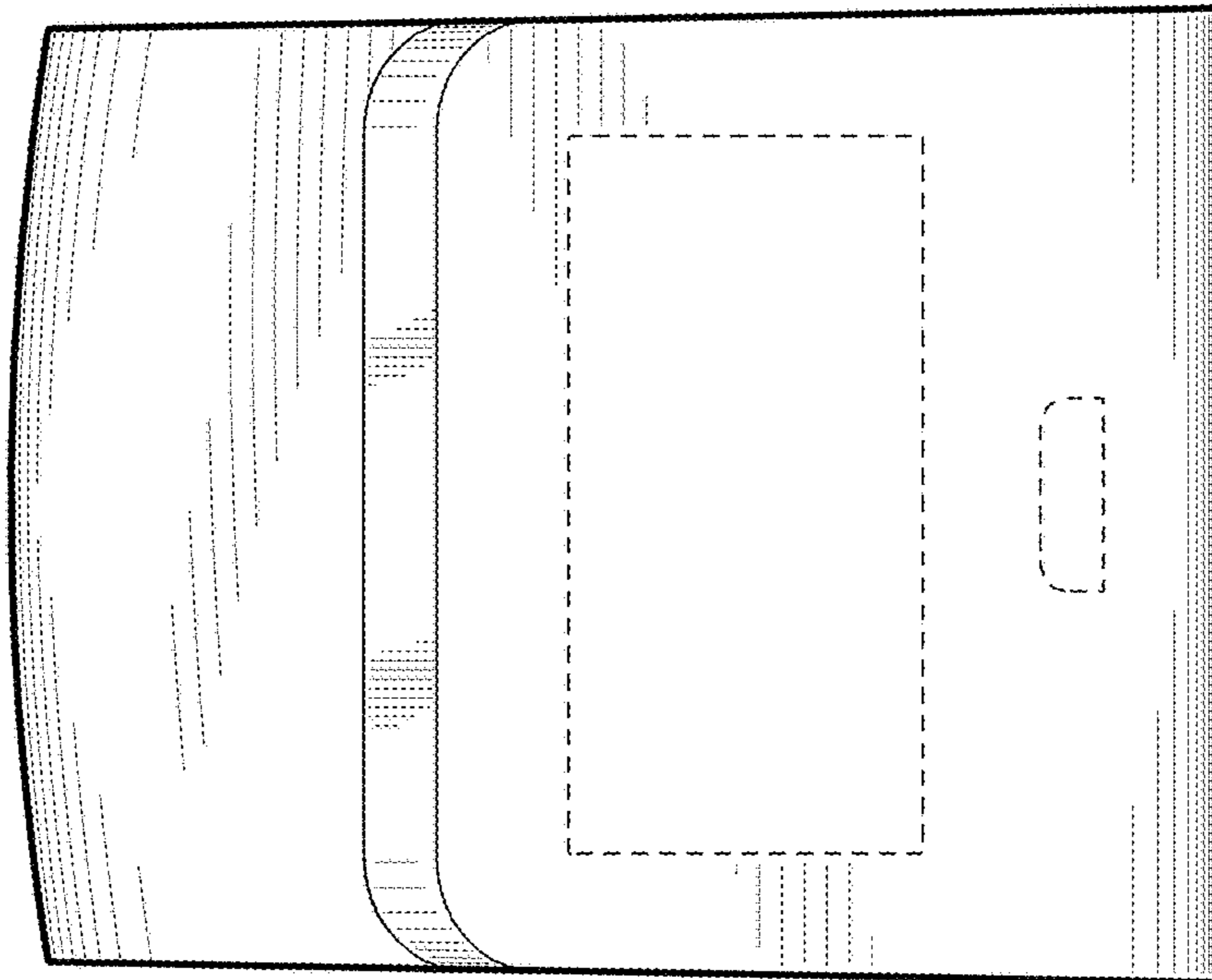


FIG. 6