



US00D854159S

(12) **United States Design Patent** (10) **Patent No.:** **US D854,159 S**
Malmén (45) **Date of Patent:** **** Jul. 16, 2019**

(54) **MEDICAL XRAY IMAGING APPARATUS**

(71) Applicant: **PLANMECA OY**, Helsinki (FI)

(72) Inventor: **Kari Malmén**, Helsinki (FI)

(**) Term: **15 Years**

(21) Appl. No.: **35/503,562**

(22) Filed: **Feb. 22, 2017**

(80) **Hague Agreement Data**

Int. Filing Date: **Feb. 22, 2017**

Int. Reg. No.: **DM/095088**

Int. Reg. Date: **Feb. 22, 2017**

Int. Reg. Pub. Date: **Aug. 25, 2017**

(51) **LOC (11) Cl.** **24-01**

(52) **U.S. Cl.**
USPC **D24/158**

(58) **Field of Classification Search**
USPC D24/158, 231; 378/127; 379/39, 98.5,
379/198, 193
CPC H05G 1/06; A61B 6/4429; A61B 6/4405;
A61B 6/00; A61B 6/032; A61B 6/14
See application file for complete search history.

(56) **References Cited**

U.S. PATENT DOCUMENTS

4,887,287 A * 12/1989 Cobben A61B 6/4405
378/198
4,984,261 A * 1/1991 Maldonado H05G 1/06
378/127
4,993,057 A * 2/1991 Runnells A61B 6/4429
378/193
D323,892 S * 2/1992 Spoljaric D24/158
D417,503 S * 12/1999 Spoljaric D24/158
D477,407 S * 7/2003 Malmen D24/158
D502,543 S * 3/2005 Phleps D24/158
D558,877 S * 1/2008 Ogiwara D24/158
D617,906 S * 6/2010 Nakahara D24/158

D624,186 S * 9/2010 Youn D24/158
D639,947 S * 6/2011 Choi D24/158
D671,217 S * 11/2012 Moon D24/158
D704,339 S * 5/2014 Mattiuzzo D24/158
D708,336 S * 7/2014 Mattiuzzo D24/158
D710,013 S * 7/2014 Li D24/158
D714,941 S * 10/2014 Kim D24/158
D715,441 S * 10/2014 Li D24/158
D715,940 S * 10/2014 Li D24/158
D715,941 S * 10/2014 Li D24/158
8,861,679 B2 * 10/2014 Suuronen A61B 6/00
378/98.5
D724,738 S * 3/2015 Dorris D24/158
D728,794 S * 5/2015 Kim D24/158
9,060,716 B2 * 6/2015 Bianconi A61B 6/032
D752,225 S * 3/2016 Sul D24/158
D767,139 S * 9/2016 Liu D24/158
D767,140 S * 9/2016 Yao D24/158
D779,069 S * 2/2017 Mattiuzzo D24/158
D785,183 S * 4/2017 Ogura D24/158
D799,045 S * 10/2017 Mattiuzzo D24/158
D800,309 S * 10/2017 Mattiuzzo D24/158

(Continued)

Primary Examiner — Rhea Shields

(57) **CLAIM**

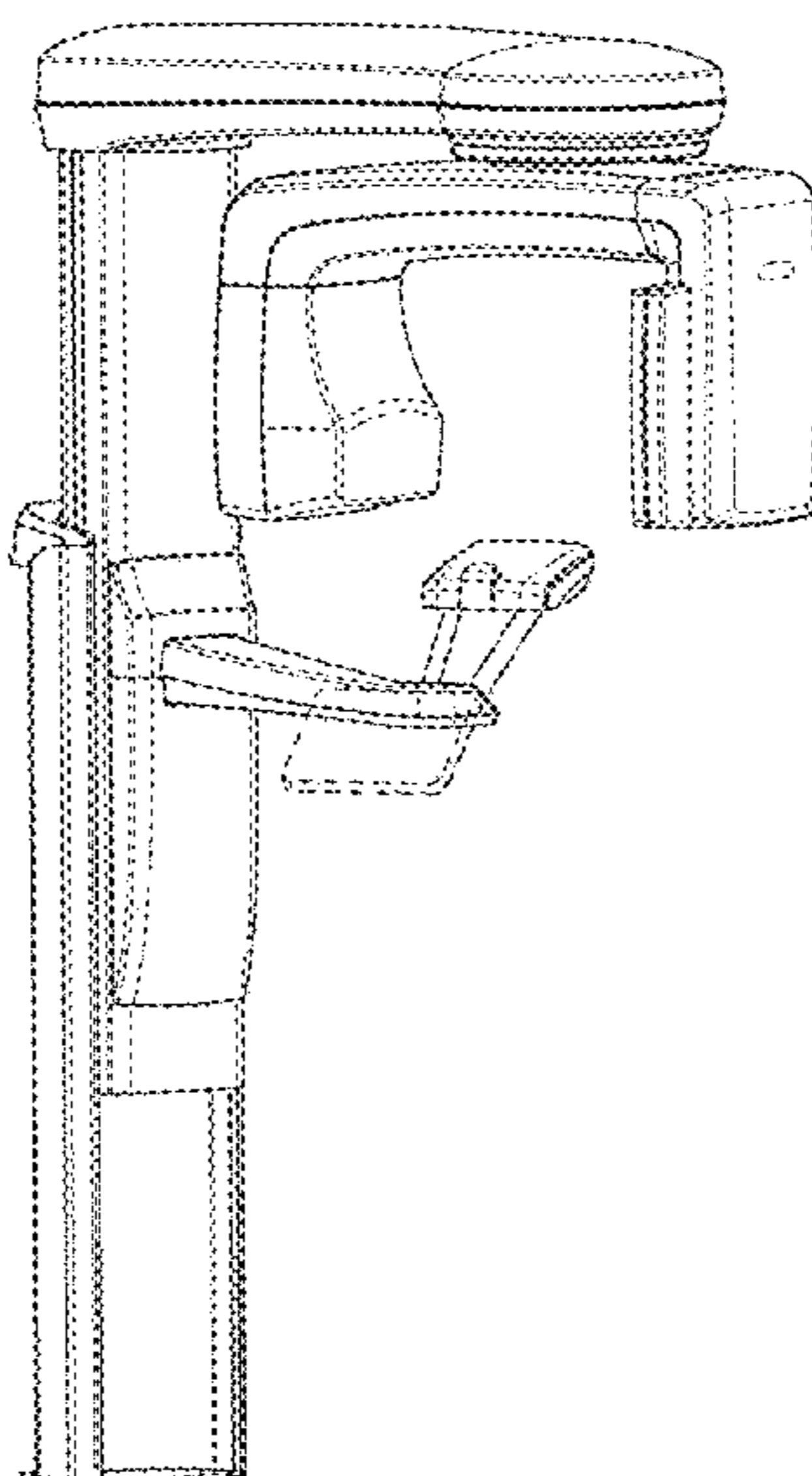
The ornamental design for a medical X-ray imaging apparatus, as shown and described.

DESCRIPTION

1. Medical X-ray imaging apparatus
- 1.1 : Perspective
- 1.2 : Back
- 1.3 : Bottom
- 1.4 : Front
- 1.5 : Left
- 1.6 : Right
- 1.7 : Top

In the reproductions, the broken lines are for the purpose of illustrating environment only and form no part of the claimed design.

1 Claim, 7 Drawing Sheets



(56)

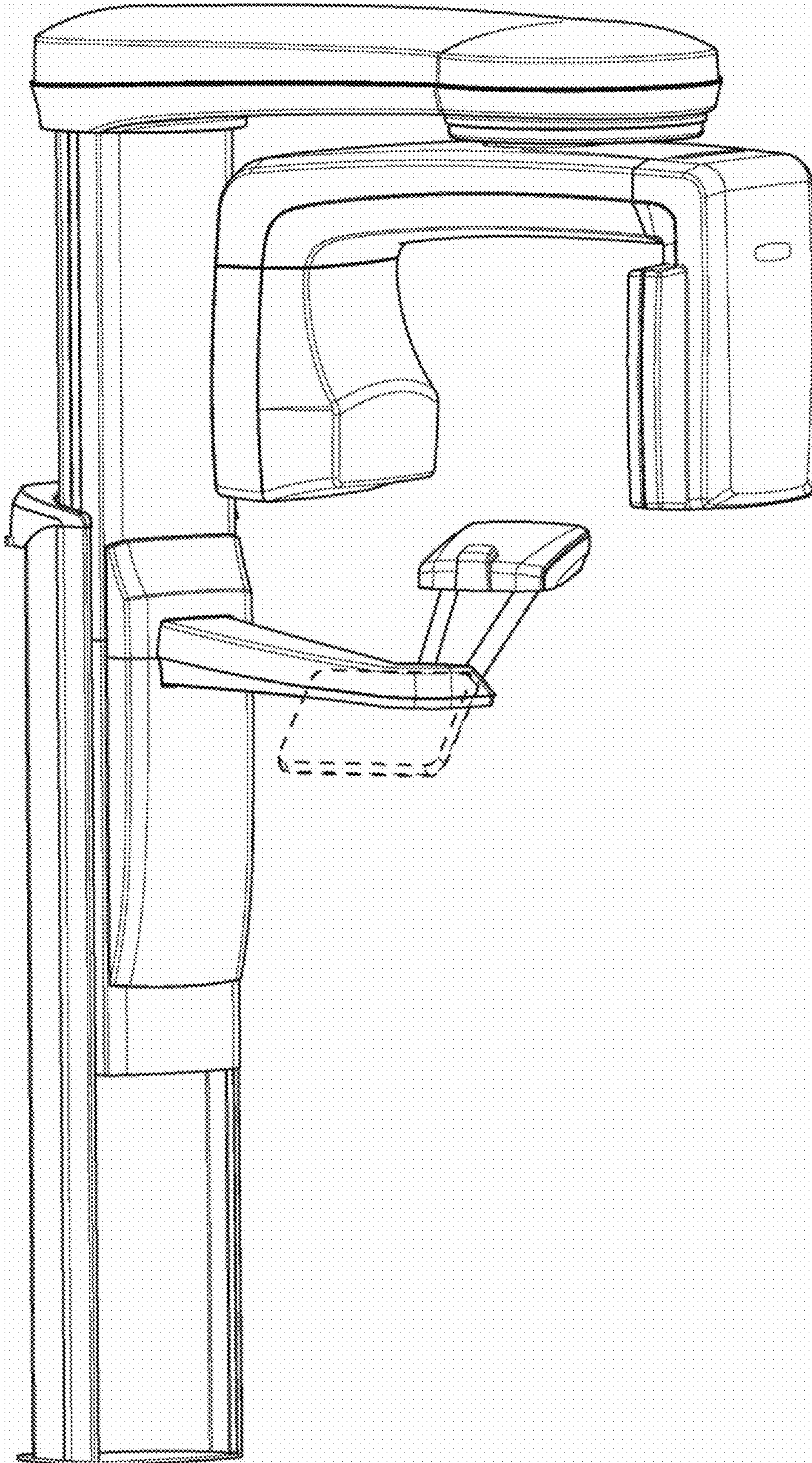
References Cited

U.S. PATENT DOCUMENTS

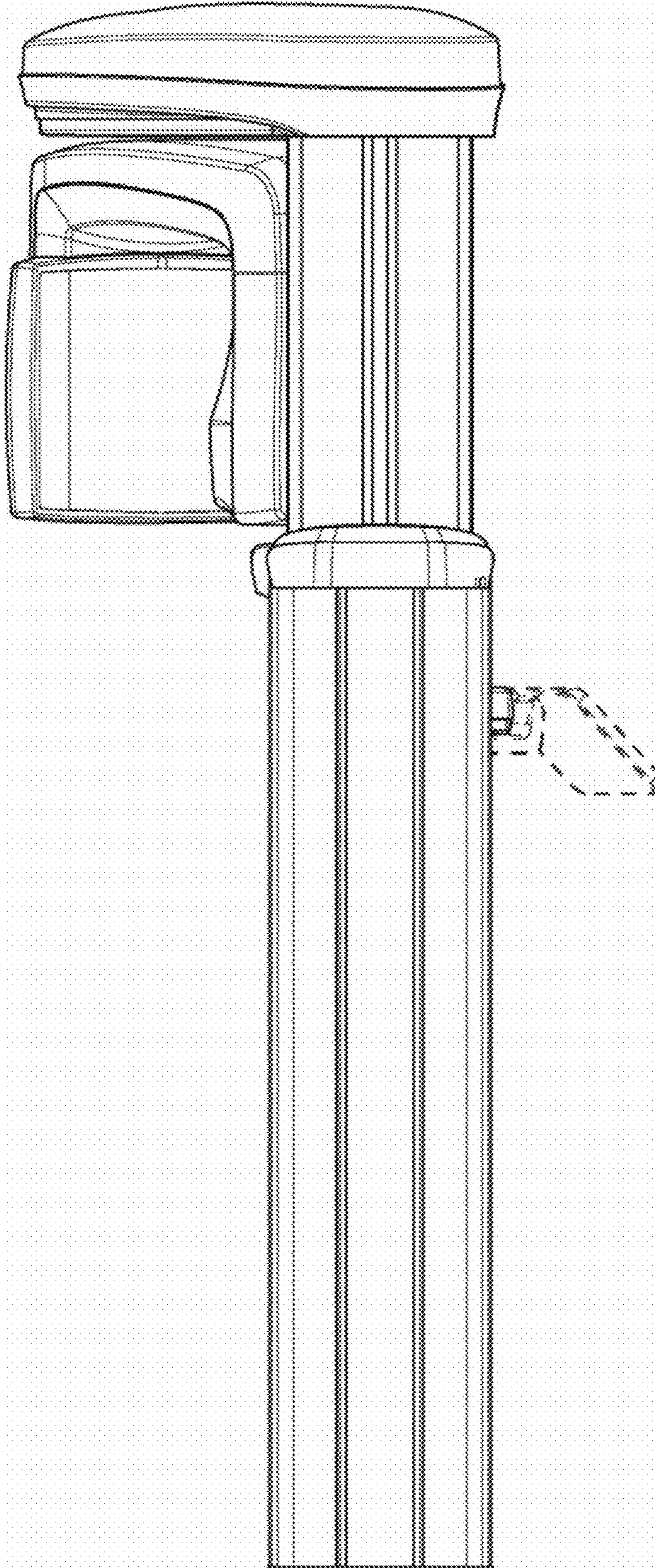
2011/0142199 A1* 6/2011 Kantor A61B 6/14
378/39
2011/0305320 A1* 12/2011 Suuronen A61B 6/00
378/98.5
2013/0089177 A1* 4/2013 Baldini A61B 6/14
378/39

* cited by examiner

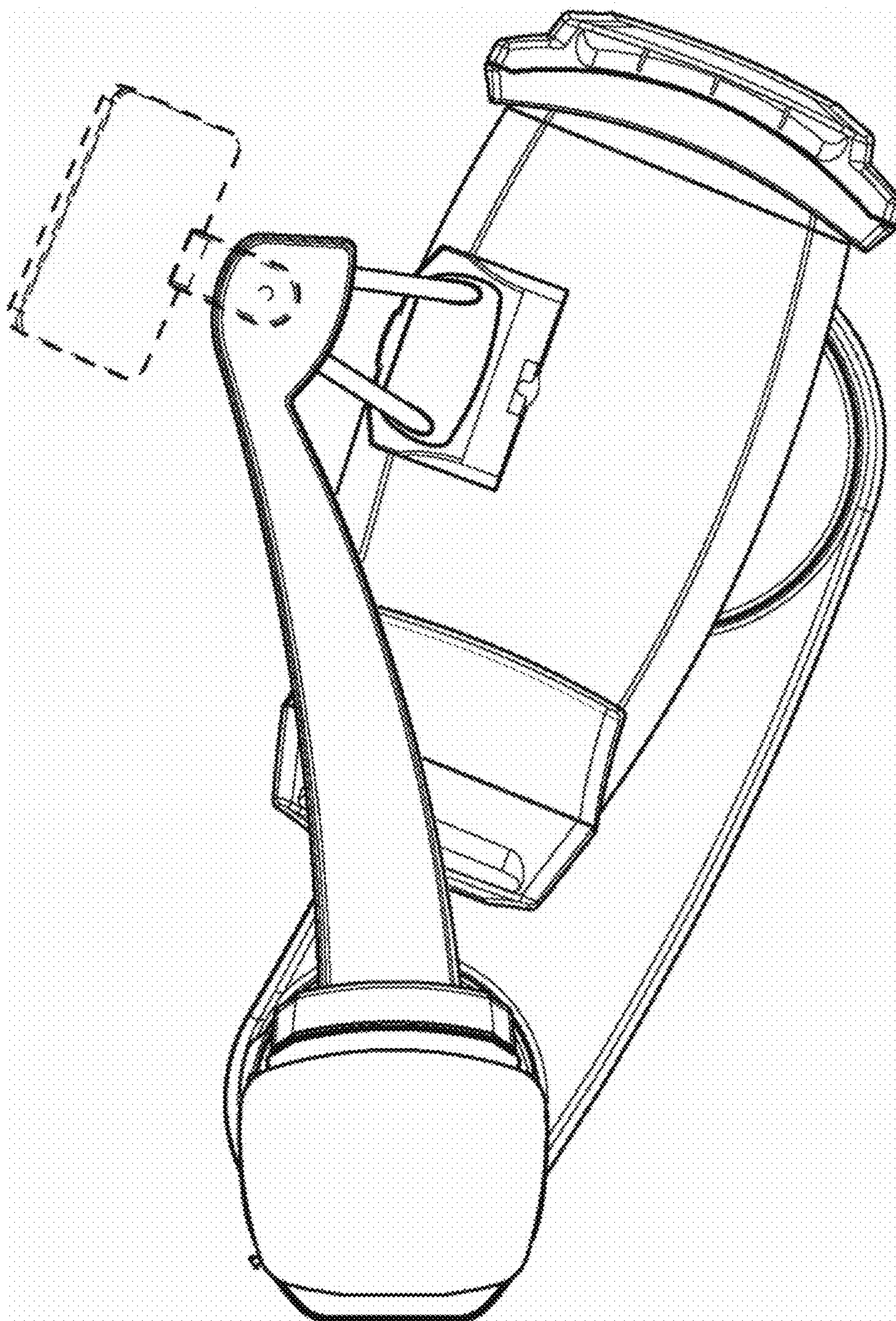
1.1



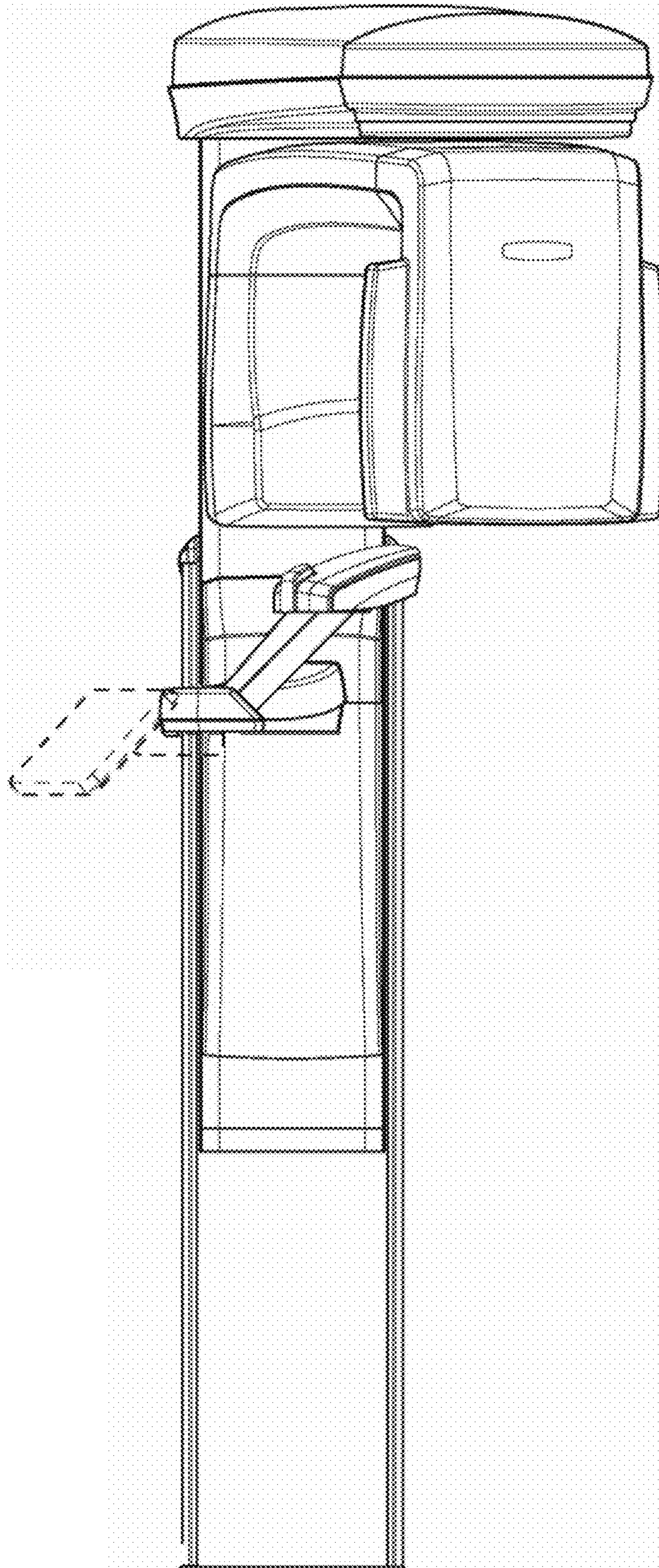
1.2



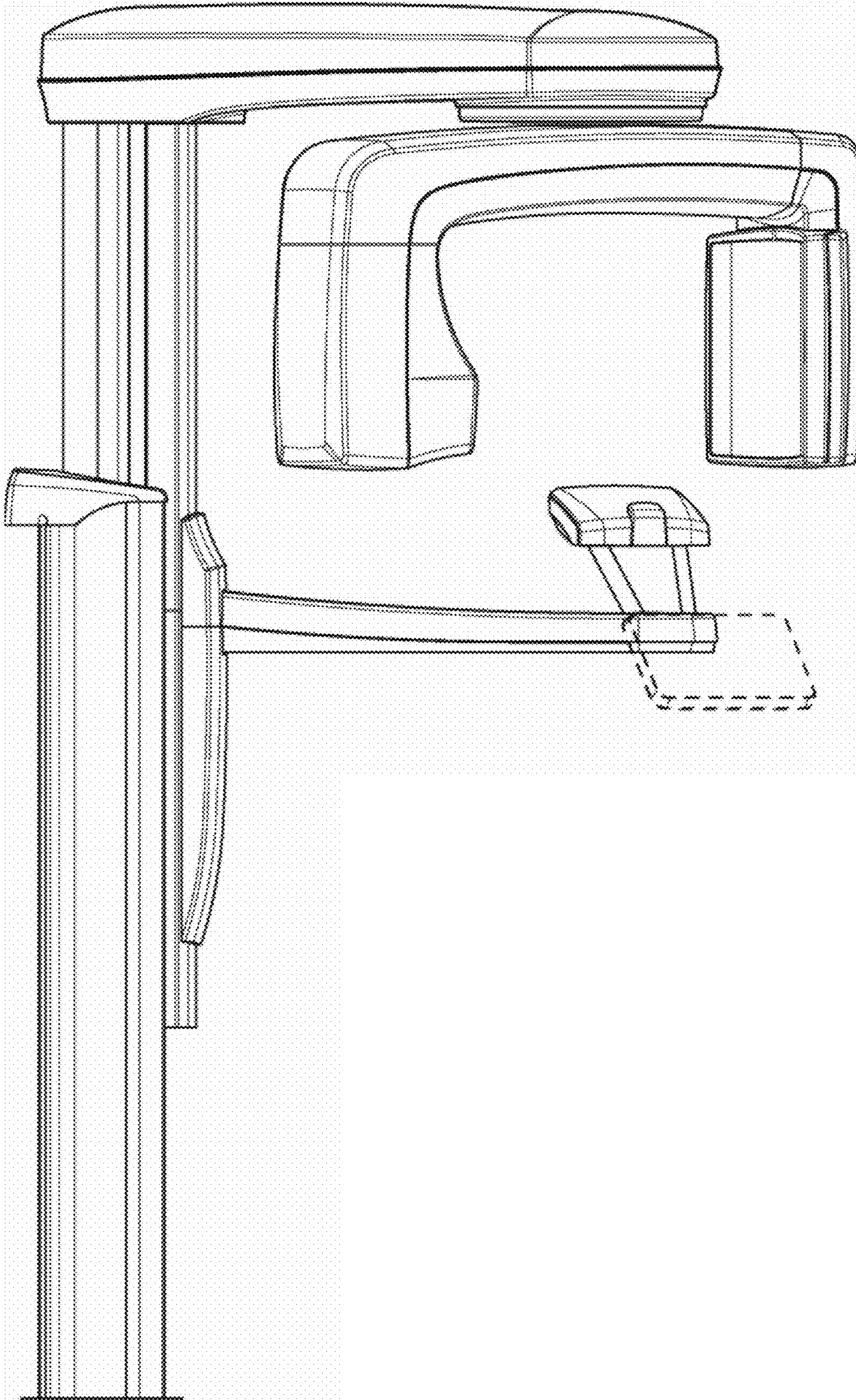
1.3



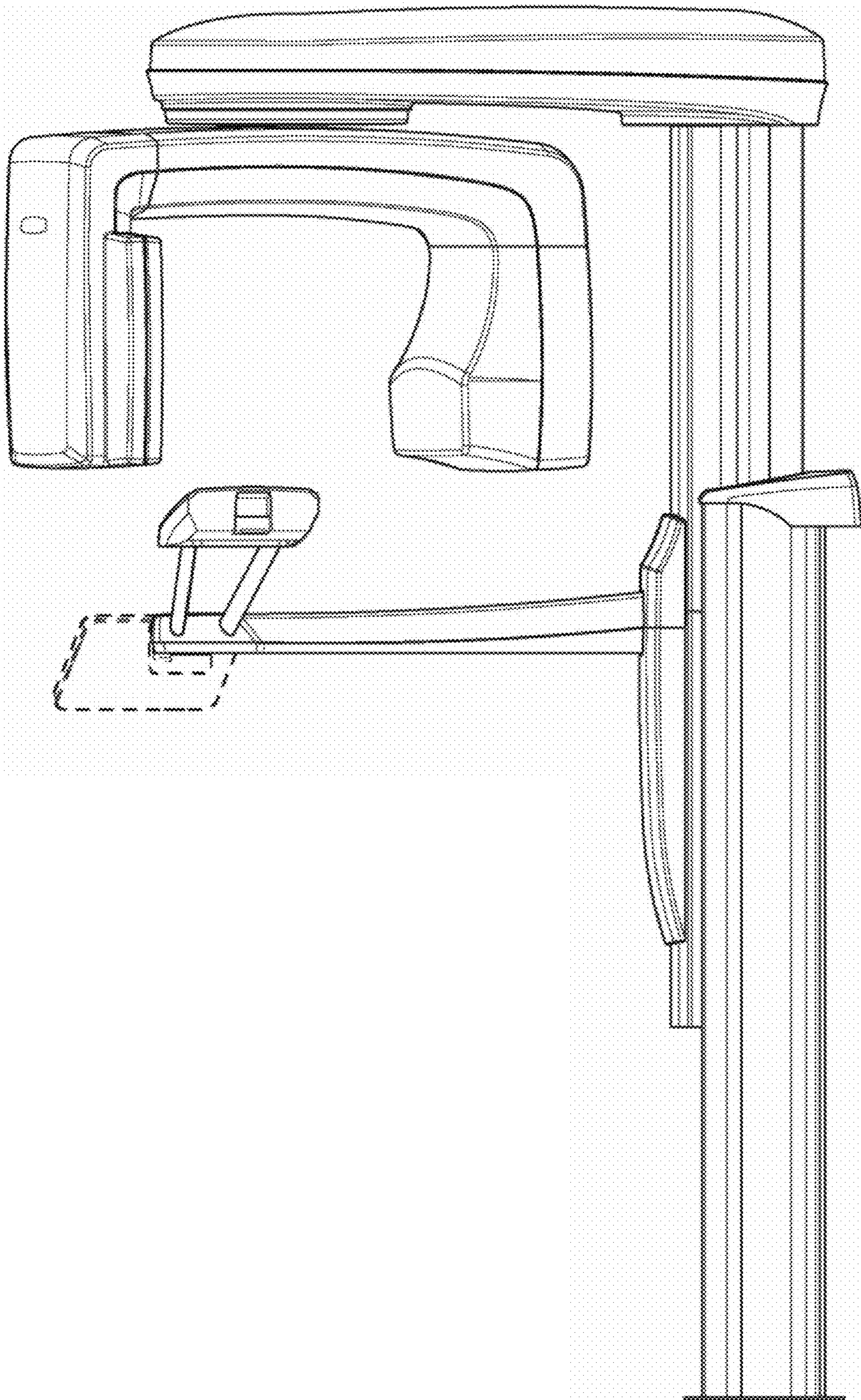
1.4



1.5



1.6



1.7

