



US00D854158S

(12) **United States Design Patent** (10) **Patent No.:** **US D854,158 S**
Diaz Carmena et al. (45) **Date of Patent:** **** Jul. 16, 2019**

(54) **PORTABLE X-RAY DEVICE**
(71) Applicant: **SOCIEDAD ESPANOLA DE ELECTROMEDICINA Y CALIDAD, SA, Algete (Madrid) (ES)**
(72) Inventors: **Angel Diaz Carmena, Alcorcon (ES); Jose Garcia Perez, San Sebastian de los Reyes (ES); Idefonso Moreno Vallejo, Rivasvaciamadrid (ES)**
(73) Assignee: **SOCIEDAD ESPANOLA DE ELECTROMEDICINA Y CALIDAD, SA, Algete (Madrid) (ES)**
(**) Term: **15 Years**
(21) Appl. No.: **29/610,328**
(22) Filed: **Jul. 11, 2017**
(51) **LOC (11) Cl.** **24-01**
(52) **U.S. Cl.**
USPC **D24/158**
(58) **Field of Classification Search**
USPC D24/158-161, 185, 186, 107; D10/78; D8/303, 317, 319, 320; D16/130
CPC A61B 6/4405; A61B 6/483; A61B 6/484; A61B 6/485; A61B 6/487; A61B 6/508
See application file for complete search history.

D715,941 S * 10/2014 Li D24/158
D724,216 S * 3/2015 Gant D24/158
D758,584 S * 6/2016 Boegel D24/158
D769,746 S * 10/2016 Houde D10/78
D787,678 S * 5/2017 Kim D24/158
2013/0195248 A1* 8/2013 Rothschild G01N 23/203 378/86

OTHER PUBLICATIONS

Heska. Printed Oct. 11, 2017. <https://www.heska.com/digital-imaging/equine-digital-x-ray/uno-6.aspx> (2 pages).
Vetxray. Printed Oct. 11, 2017. <http://vetxray.com/products/portable-x-ray-units/> (3 pages).

* cited by examiner

Primary Examiner — Anhdao Doan
(74) *Attorney, Agent, or Firm* — Neal, Gerber & Eisenberg LLP

(57) **CLAIM**

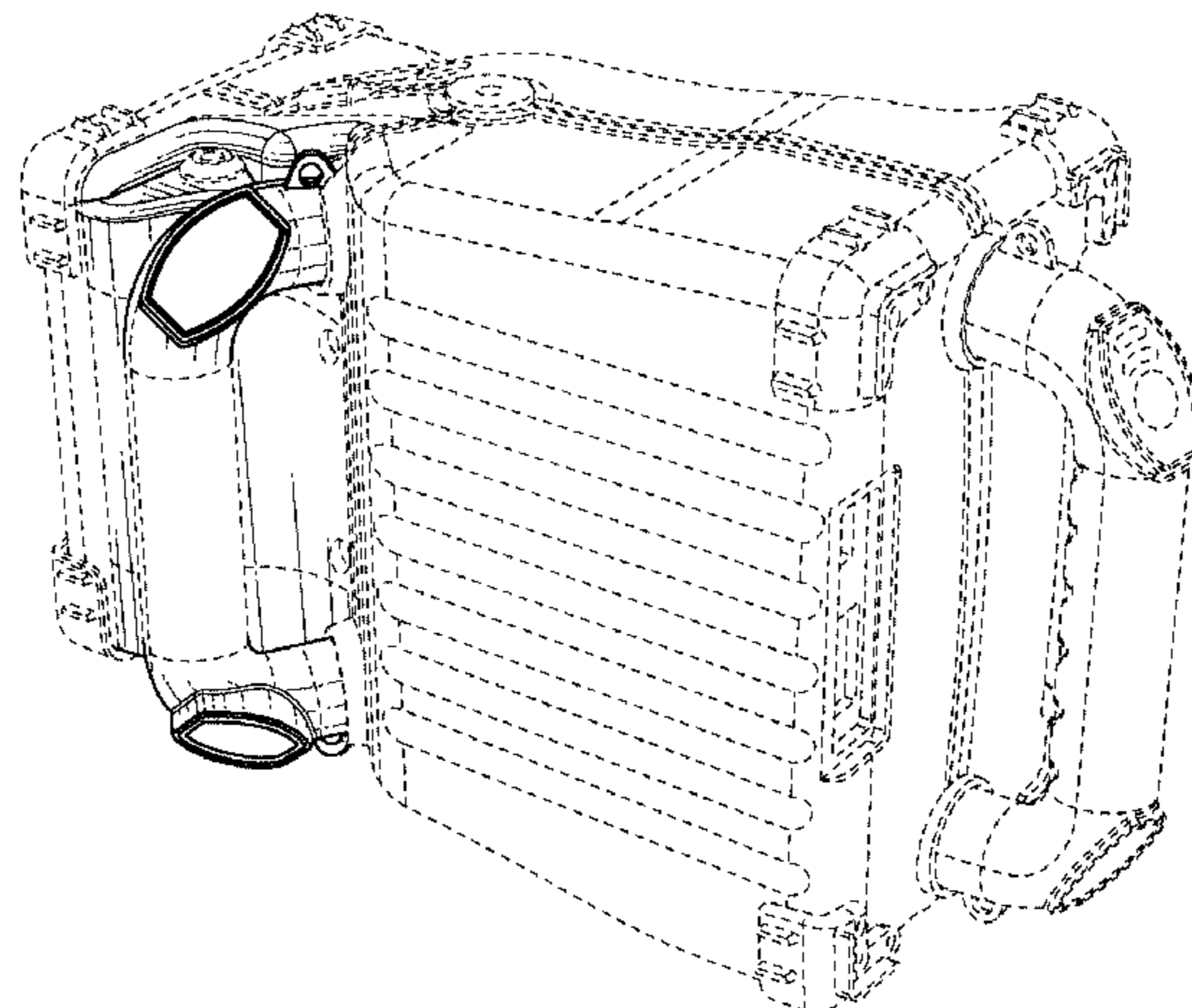
The ornamental design for a portable x-ray device, as shown and described.

DESCRIPTION

FIG. 1 is a perspective view of a portable x-ray device; FIG. 2 is a top view thereof; FIG. 3 is a side view thereof; FIG. 4 is another side view thereof; FIG. 5 is a rear view thereof; FIG. 6 is a front perspective view thereof; FIG. 7 is a side perspective view thereof; and, FIG. 8 is another side perspective view thereof. The broken lines immediately adjacent the shaded areas represent the bounds of the claim, while all other broken lines are directed to environment and are for illustrative purposes only; the broken lines form no part of the claimed design.

1 Claim, 5 Drawing Sheets

(56) **References Cited**
U.S. PATENT DOCUMENTS
D273,981 S * 5/1984 Kroll D24/158
D494,074 S * 8/2004 Ishii D16/130
D582,750 S * 12/2008 Heidrich D8/316
7,684,544 B2 * 3/2010 Wilson A61B 6/4233 378/102
D623,080 S * 9/2010 Nguyen D10/78
D705,638 S * 5/2014 Aruga B25G 1/04 D8/303
D714,446 S * 9/2014 Sul D24/158



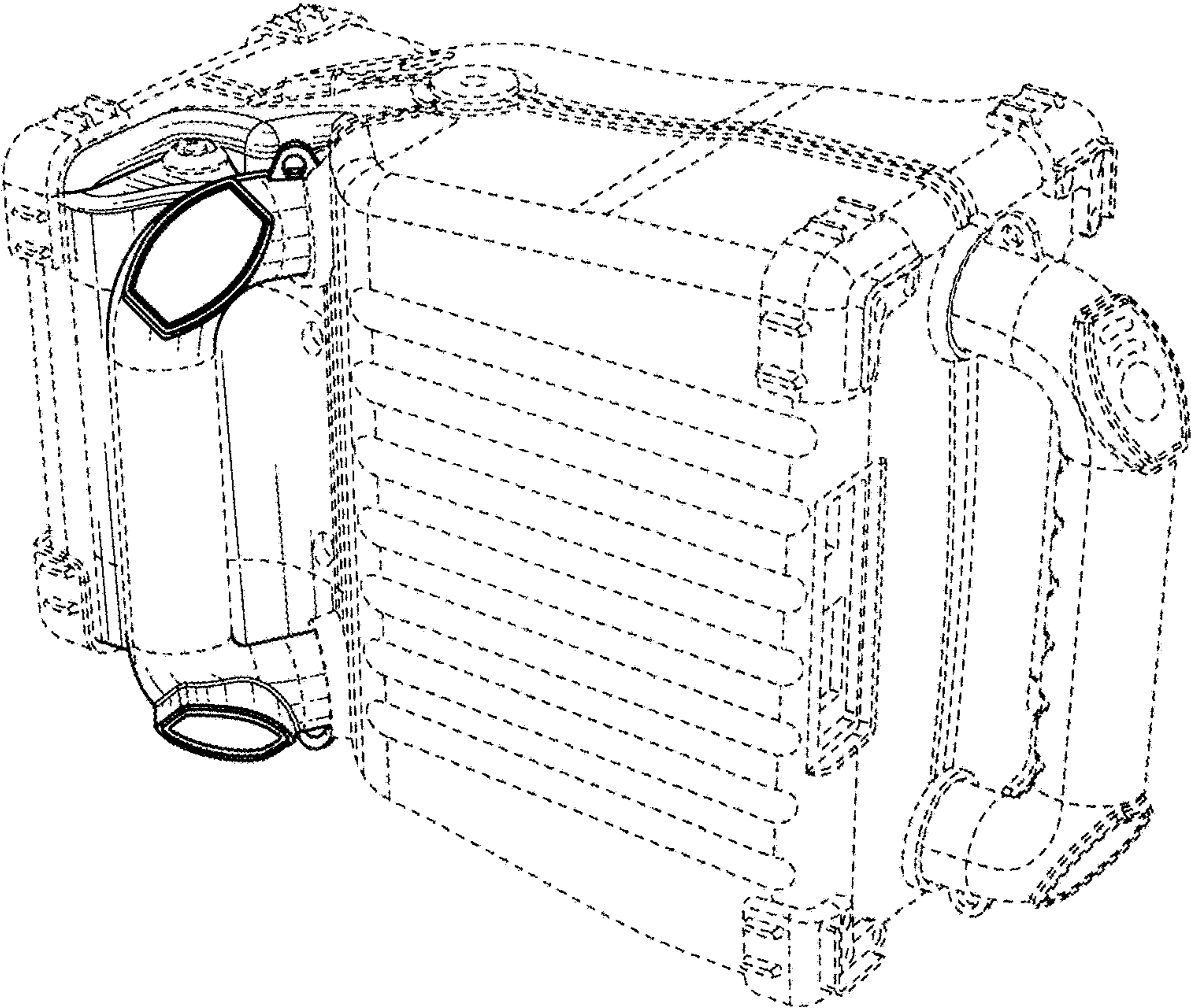


FIG. 1

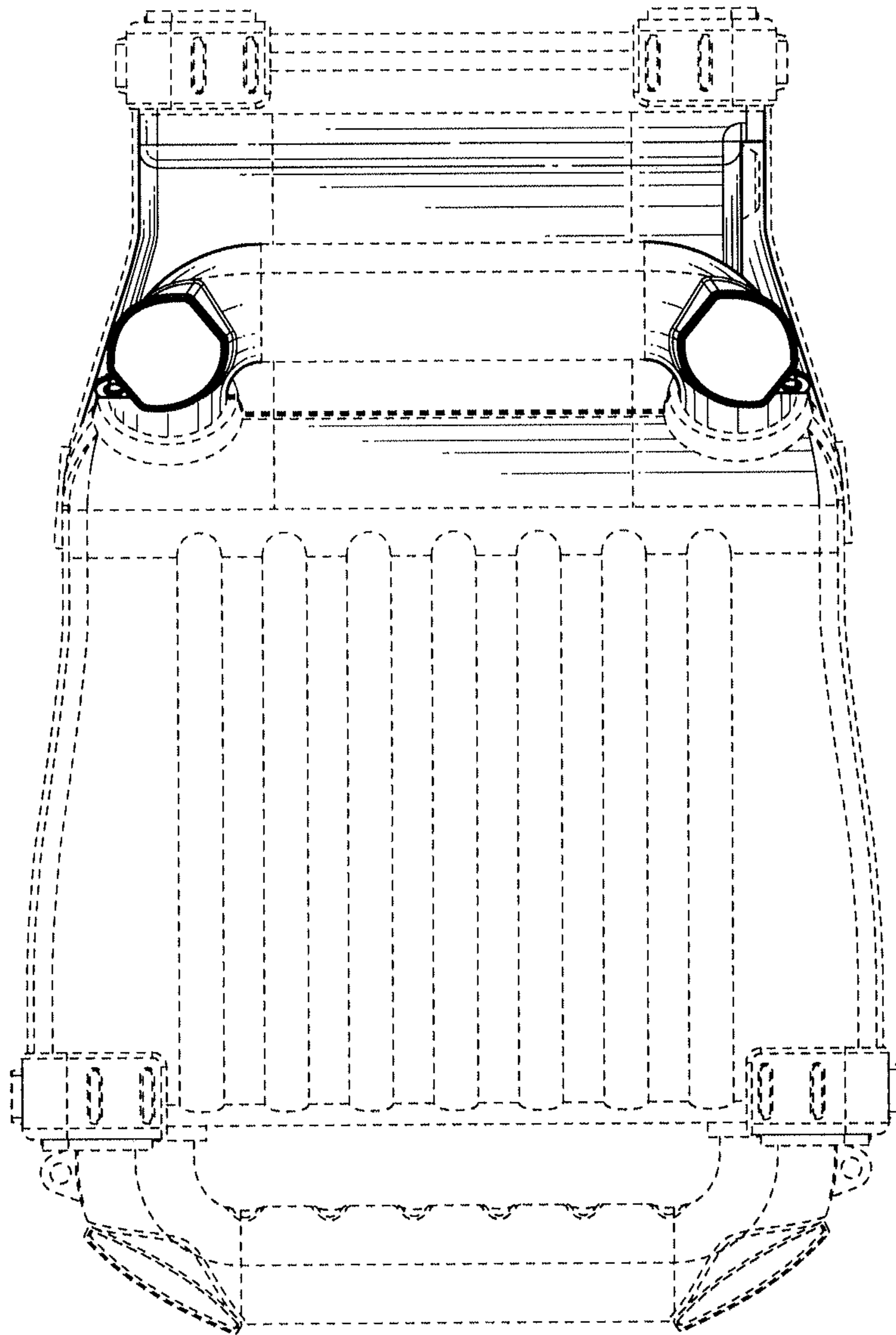


FIG. 2

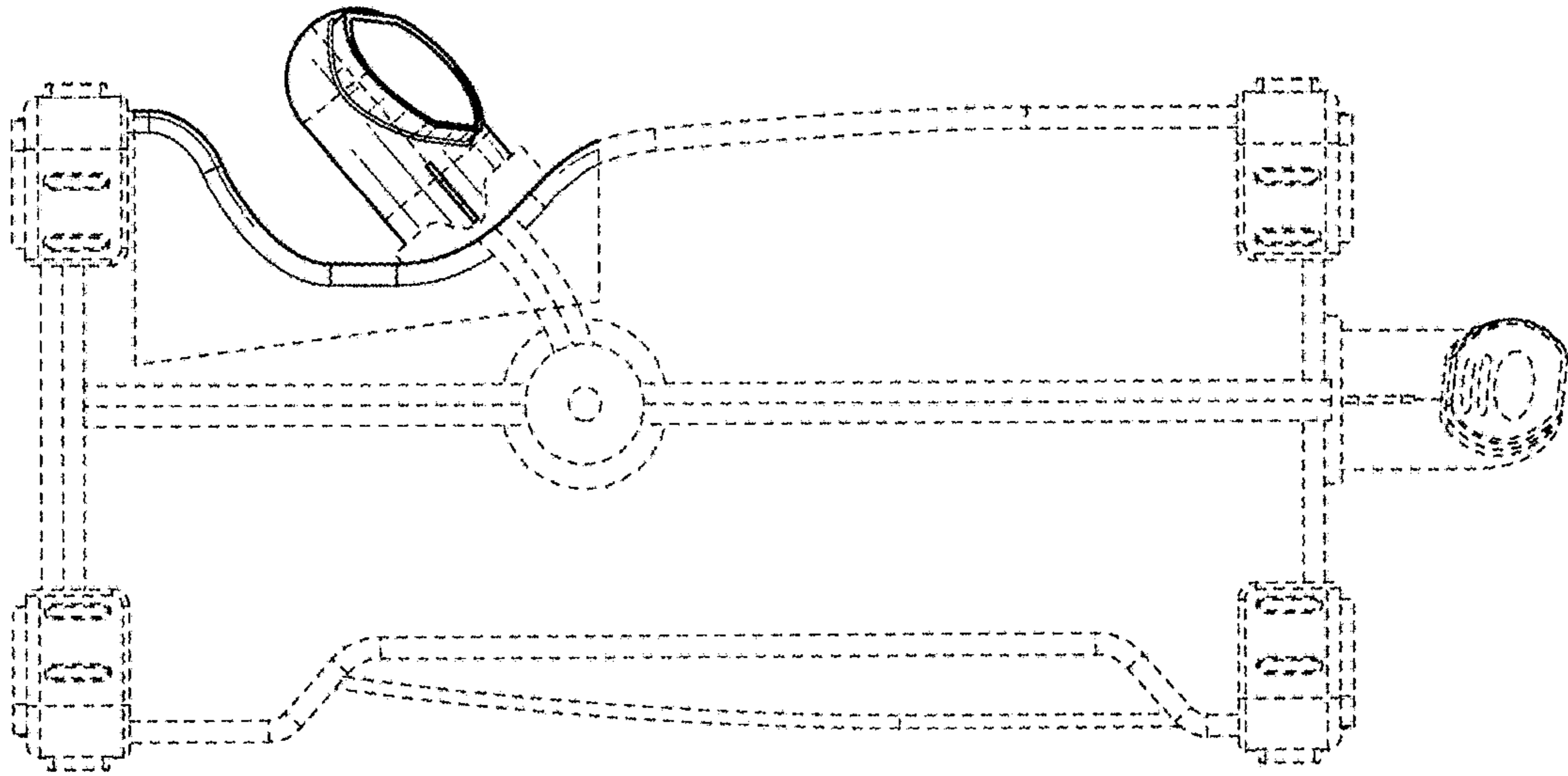


FIG. 3

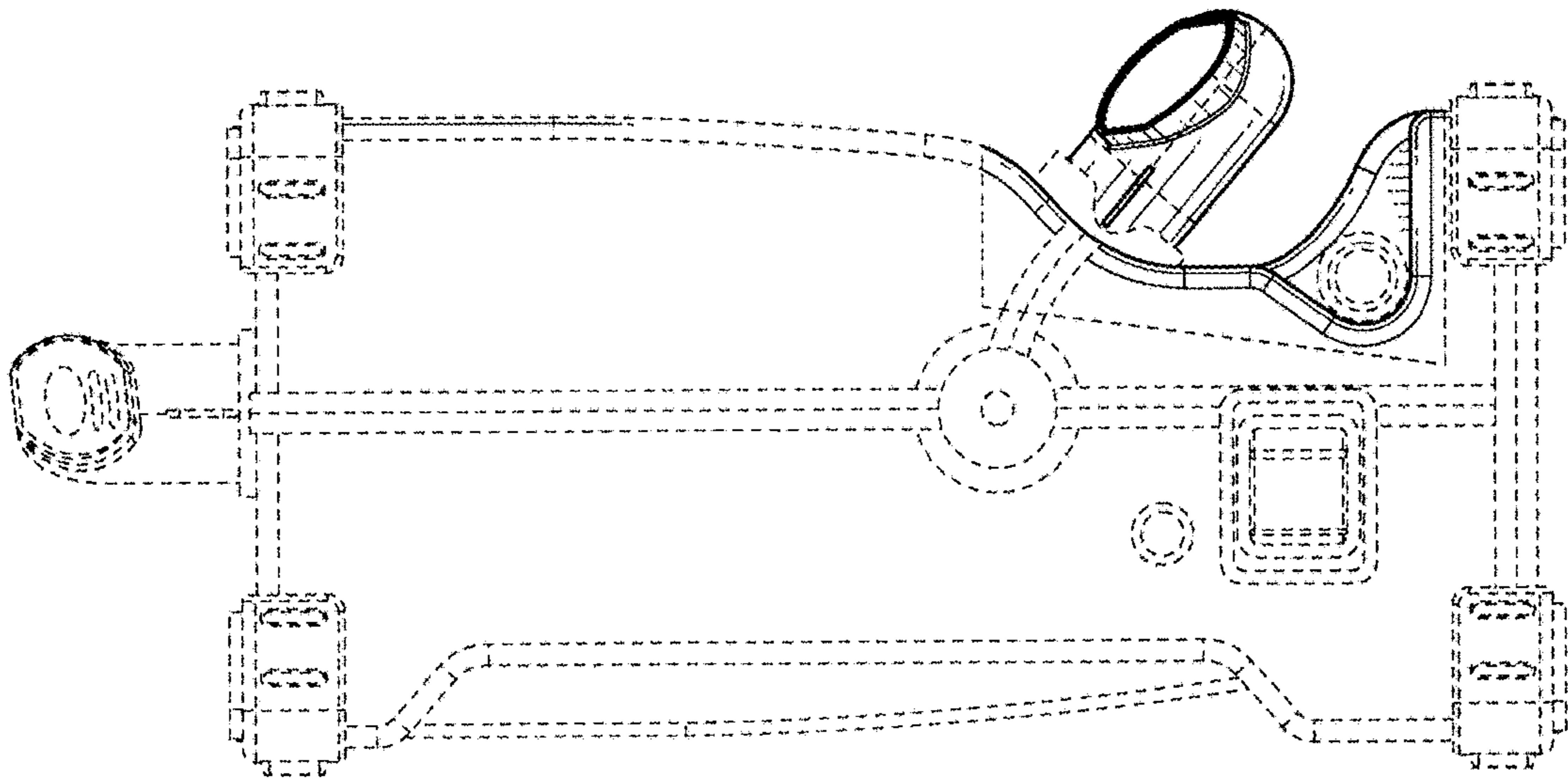


FIG. 4

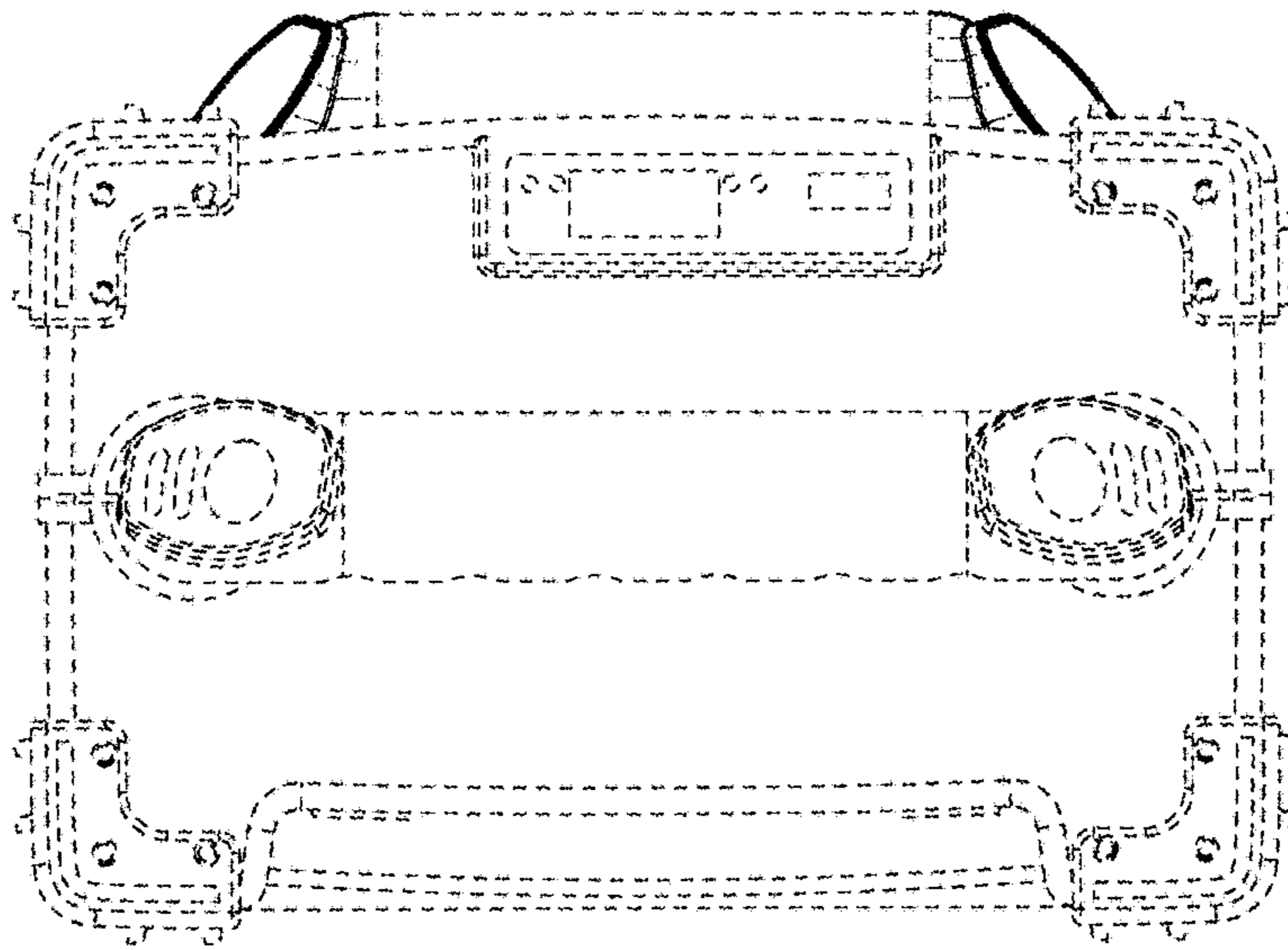


FIG. 5

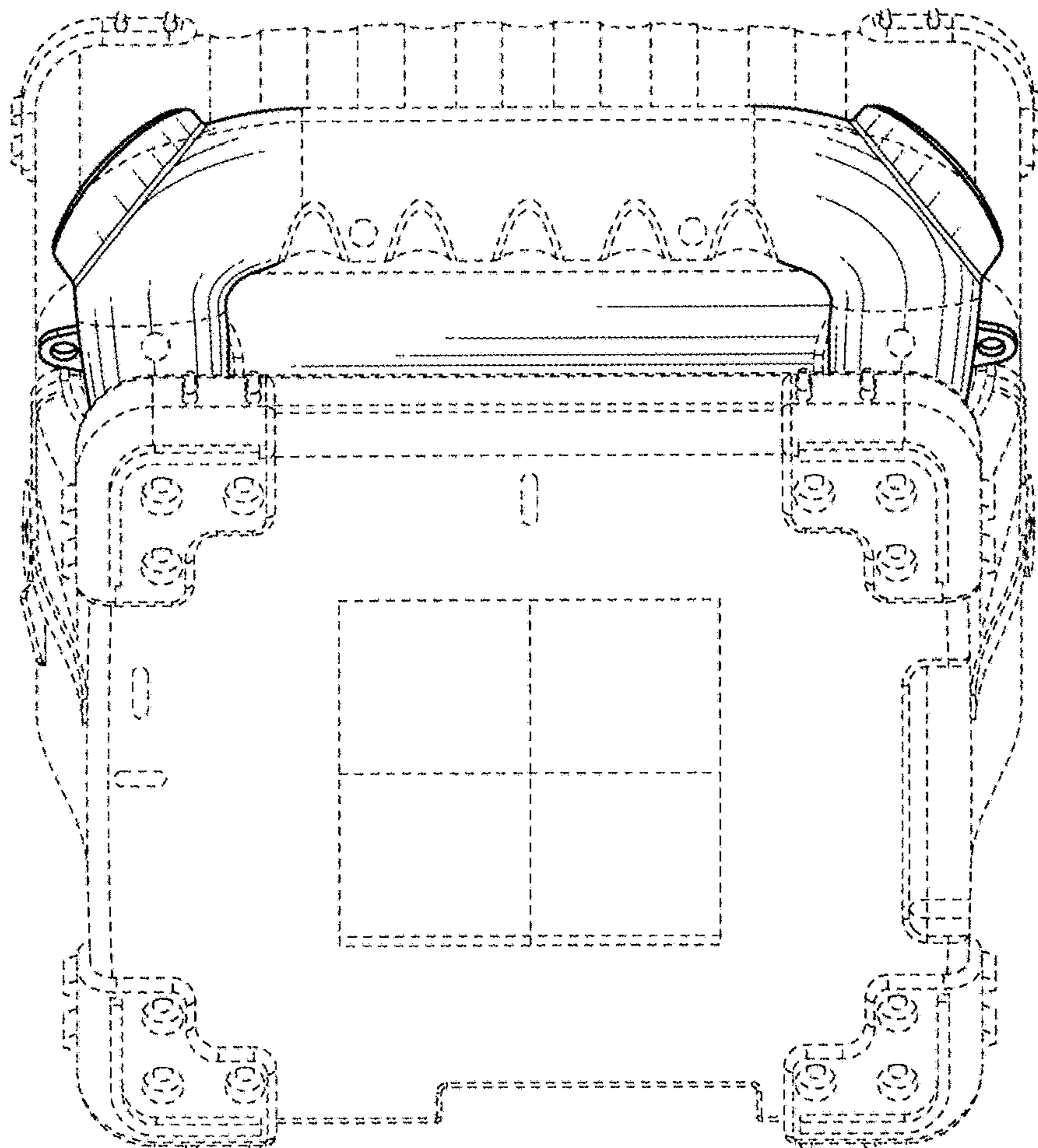


FIG. 6

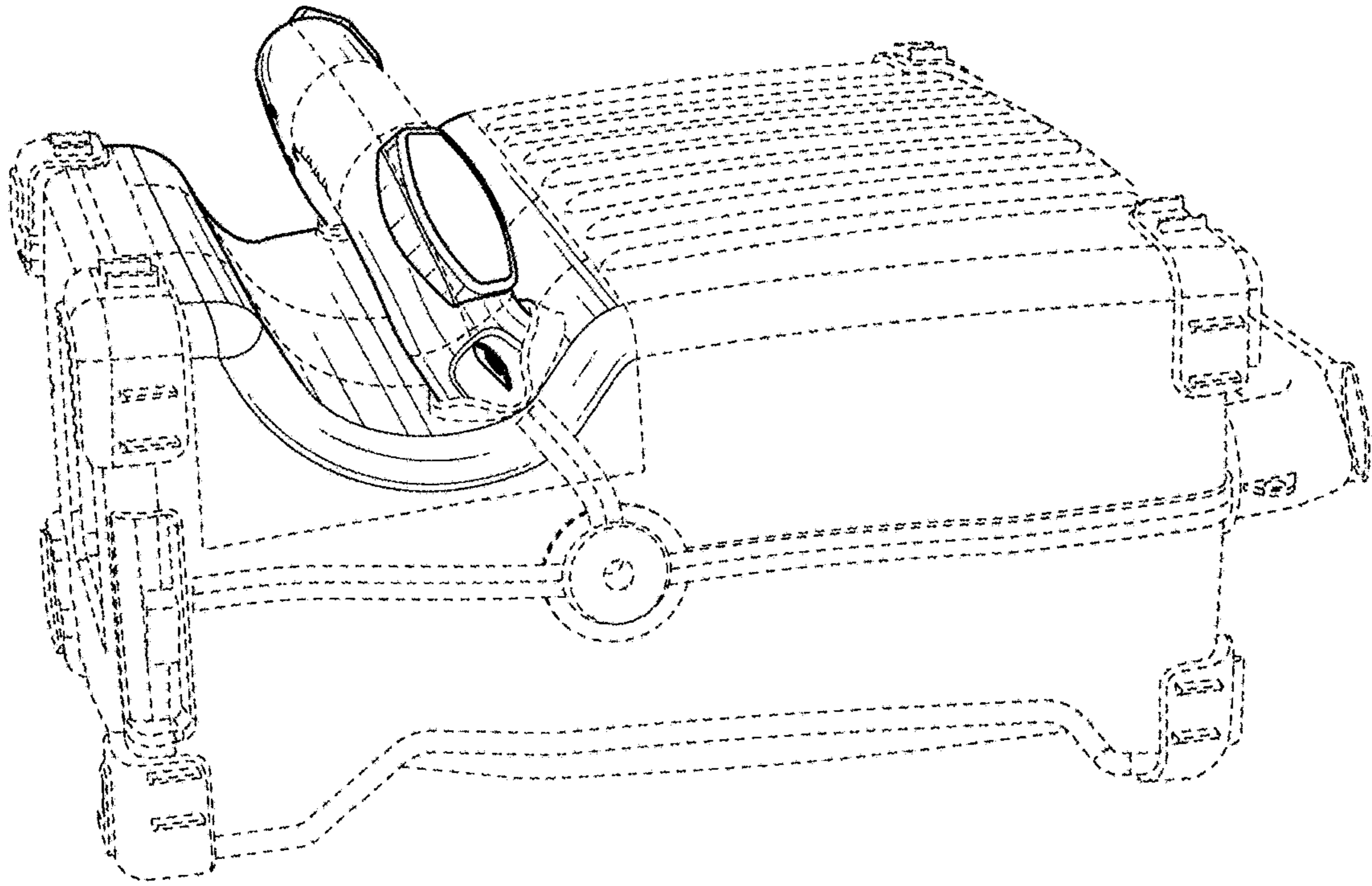


FIG. 7

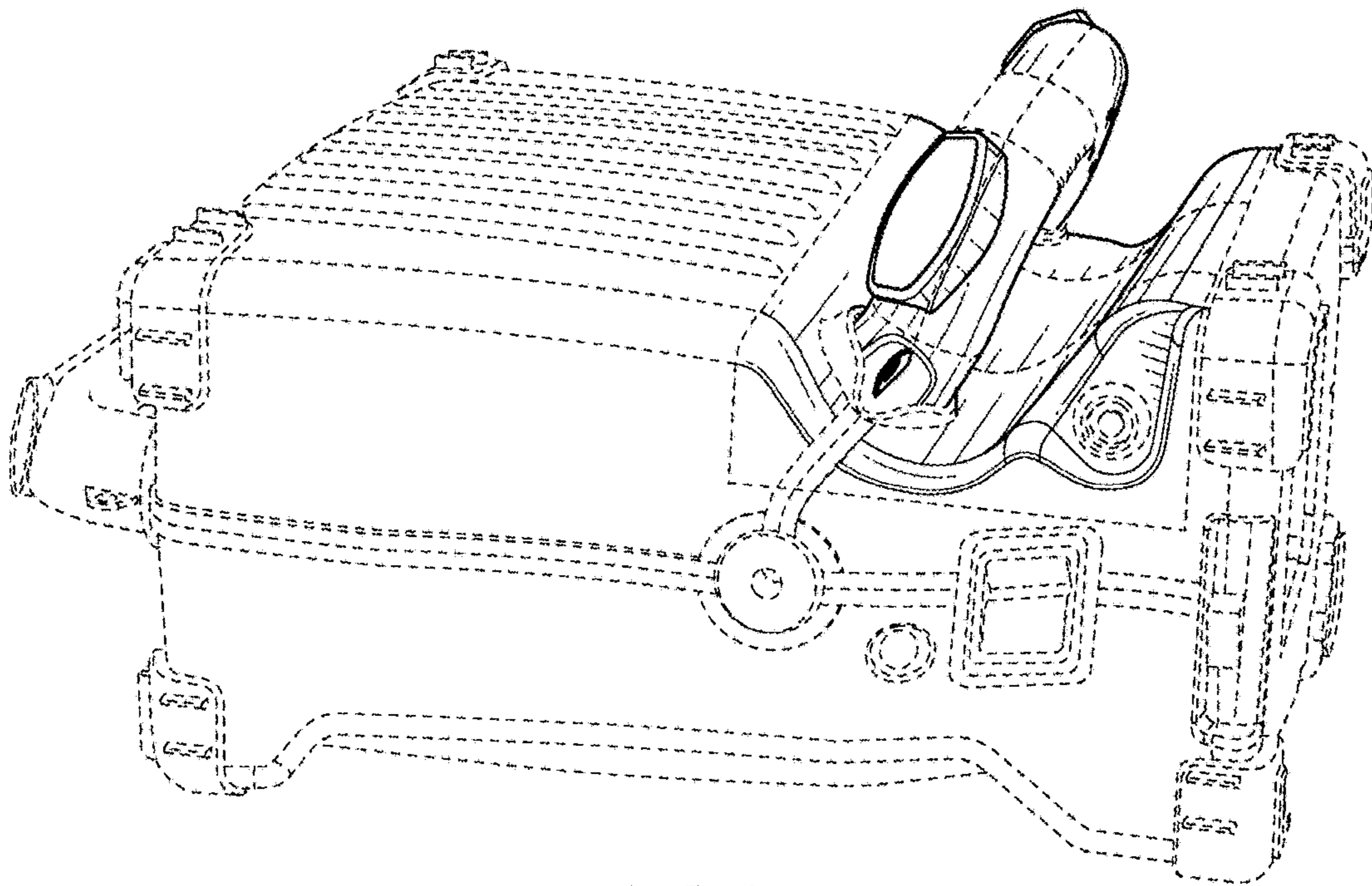


FIG. 8