

US00D854155S

(12) **United States Design Patent** (10) **Patent No.:** **US D854,155 S**  
**Arnett et al.** (45) **Date of Patent:** **\*\* Jul. 16, 2019**

(54) **HANDLE FOR A MEDICAL DEVICE**

(71) Applicant: **Baylis Medical Company Inc.,**  
Montreal (CA)

(72) Inventors: **Jeffery Arnett**, Gilbert, AZ (US);  
**Moussa Chehade**, Toronto (CA);  
**Lyndsay Stephenson**, Toronto (CA);  
**Marina Spyridis**, Etobicoke (CA);  
**James Dylan Klein**, Toronto (CA);  
**David Rees**, Toronto (CA)

(73) Assignee: **Baylis Medical Company Inc.,**  
Mississauga (CA)

(\*\*) Term: **15 Years**

(21) Appl. No.: **29/646,706**

(22) Filed: **May 7, 2018**

(51) **LOC (11) Cl.** ..... **24-02**

(52) **U.S. Cl.**  
USPC ..... **D24/147**

(58) **Field of Classification Search**  
USPC ..... D24/146, 147, 133, 143, 144, 145;  
D8/14, 82, 83, 84, 85, 86, 87, 107, 303,  
D8/307; 81/487, 489; 606/79, 80, 84;  
D13/137.1, 137.2, 137.3, 137.4, 138.1,  
D13/138.2  
CPC ... A61B 17/025; A61B 17/16; A61B 17/1615;  
A61B 17/1617; A61B 17/164; A61B  
17/1666; A61B 17/1875; A61B  
2017/0023; A61B 2017/0256; A61B  
2017/320084; A61B 17/3211; A61B  
2017/32113; A61B 17/1622  
See application file for complete search history.

(56) **References Cited**

**U.S. PATENT DOCUMENTS**

D394,794 S \* 6/1998 Vasudeva ..... D8/107  
D406,260 S \* 3/1999 Wardenburg ..... D13/137.1

D434,725 S \* 12/2000 Flaughner ..... D13/137.1  
D474,097 S \* 5/2003 Hsiao ..... D8/107  
D564,329 S \* 3/2008 Hsieh ..... D8/107  
D564,964 S \* 3/2008 Caine ..... D13/137.1  
D657,217 S \* 4/2012 Chang ..... D8/107  
D662,588 S \* 6/2012 Davies ..... D24/144  
D665,078 S \* 8/2012 Griffis, III ..... D24/145  
D683,452 S \* 5/2013 Davies ..... D24/144  
D786,430 S \* 5/2017 Davies ..... D24/144  
D818,586 S \* 5/2018 Hamel ..... D24/146

(Continued)

*Primary Examiner* — Cathron C Brooks

*Assistant Examiner* — Samantha Q Lawrence

(74) *Attorney, Agent, or Firm* — Vincent Man; Glenn Arnold

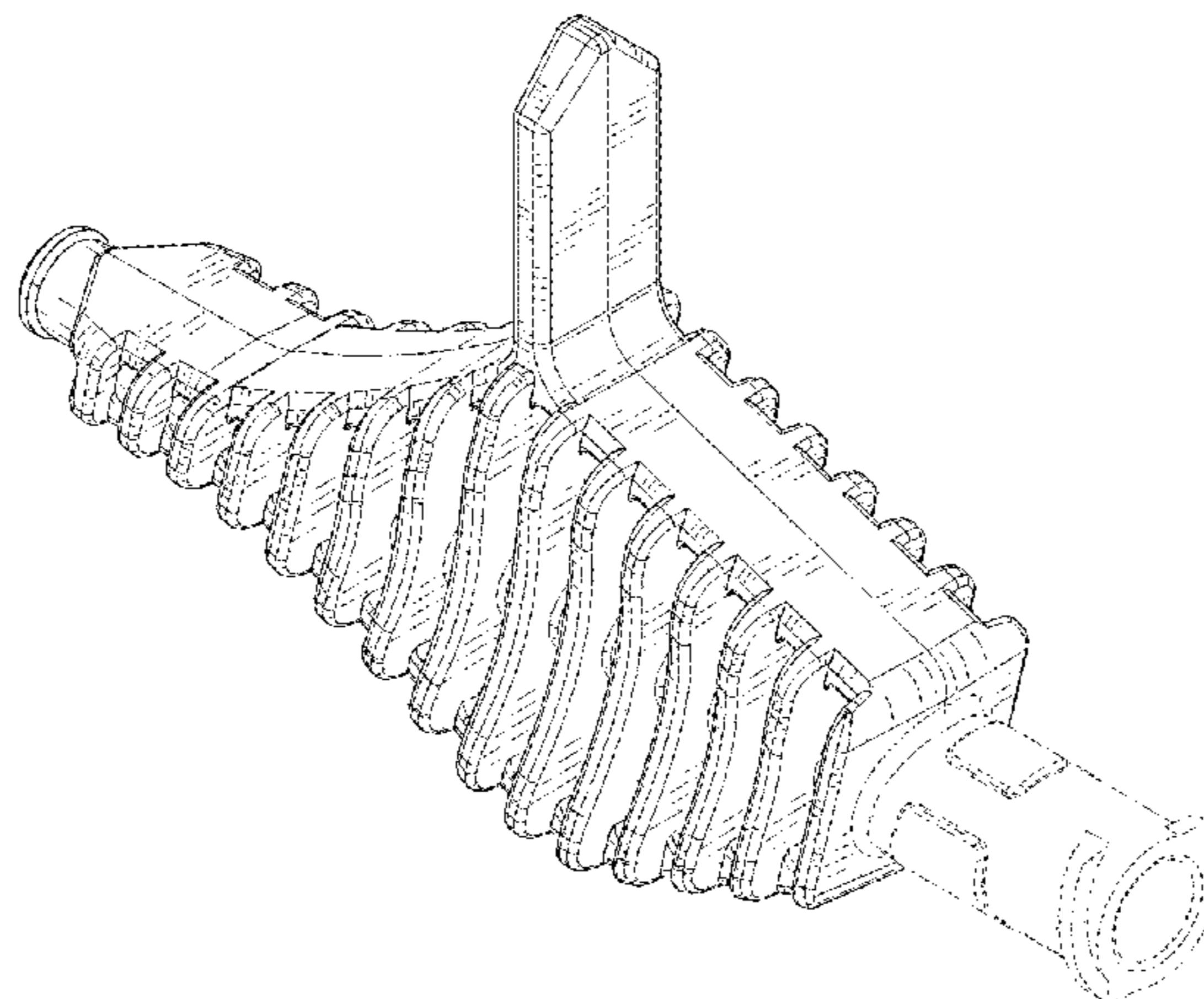
(57) **CLAIM**

The ornamental design for a handle for a medical device, as shown and described.

**DESCRIPTION**

FIG. 1 is a top, rear, left side perspective view of a handle for a medical device, showing our new design;  
FIG. 2 is a bottom, front, right side perspective view of the handle of FIG. 1;  
FIG. 3 is a right side elevational view of the handle of FIG. 1;  
FIG. 4 is a front elevational view of the handle of FIG. 1; and  
FIG. 5 is a left side elevational view of the handle of FIG. 1;  
FIG. 6 is a rear elevational view of the handle of FIG. 1;  
FIG. 7 is a top plan view of the handle of FIG. 1; and  
FIG. 8 is a bottom plan view of the handle of FIG. 1.  
The broken lines immediately adjacent the shaded areas represent the bounds of the claimed design while all other broken lines are directed to environment and are for illustrative purposes only; the broken lines form no part of the claimed design.

**1 Claim, 8 Drawing Sheets**



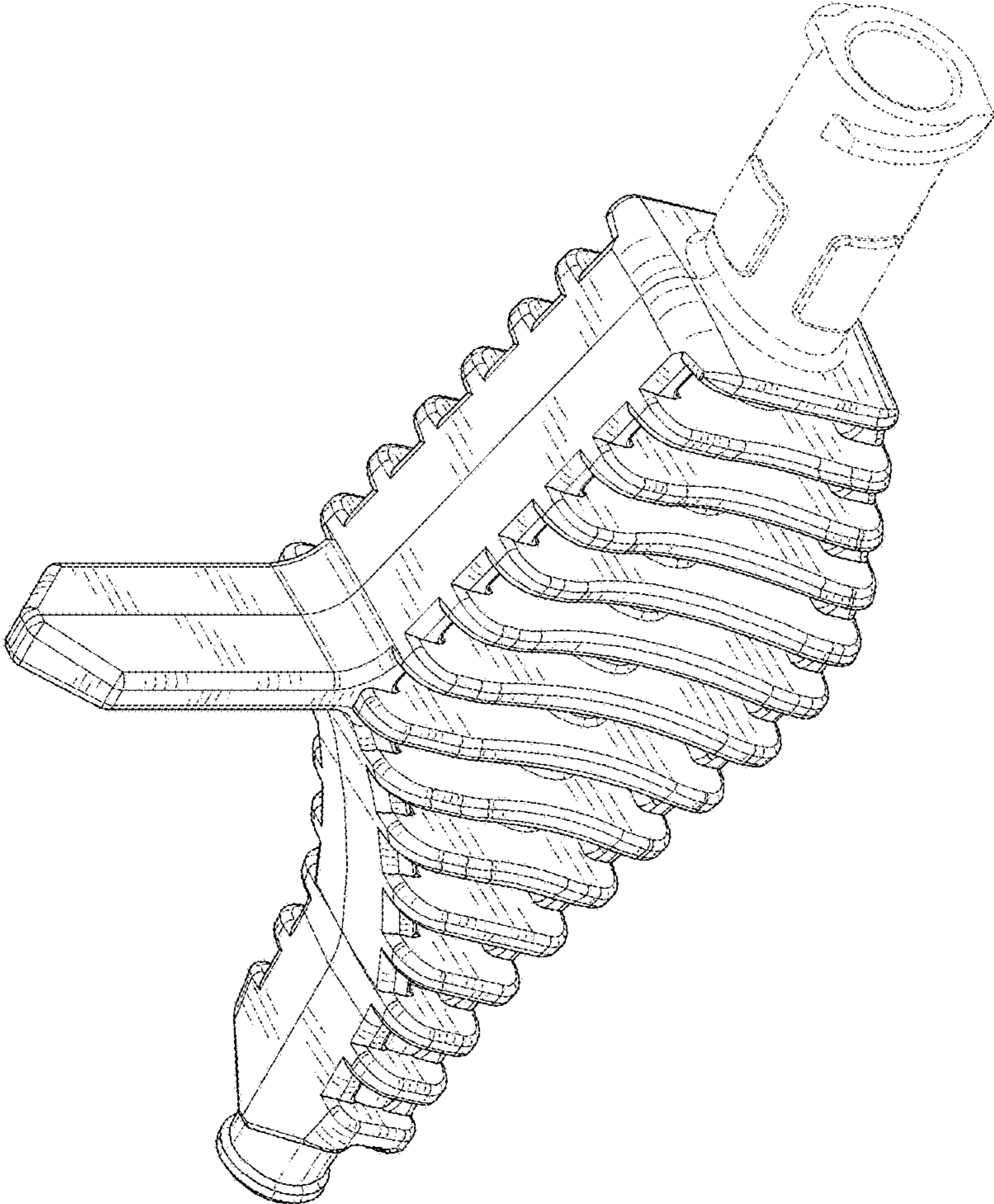
(56)

**References Cited**

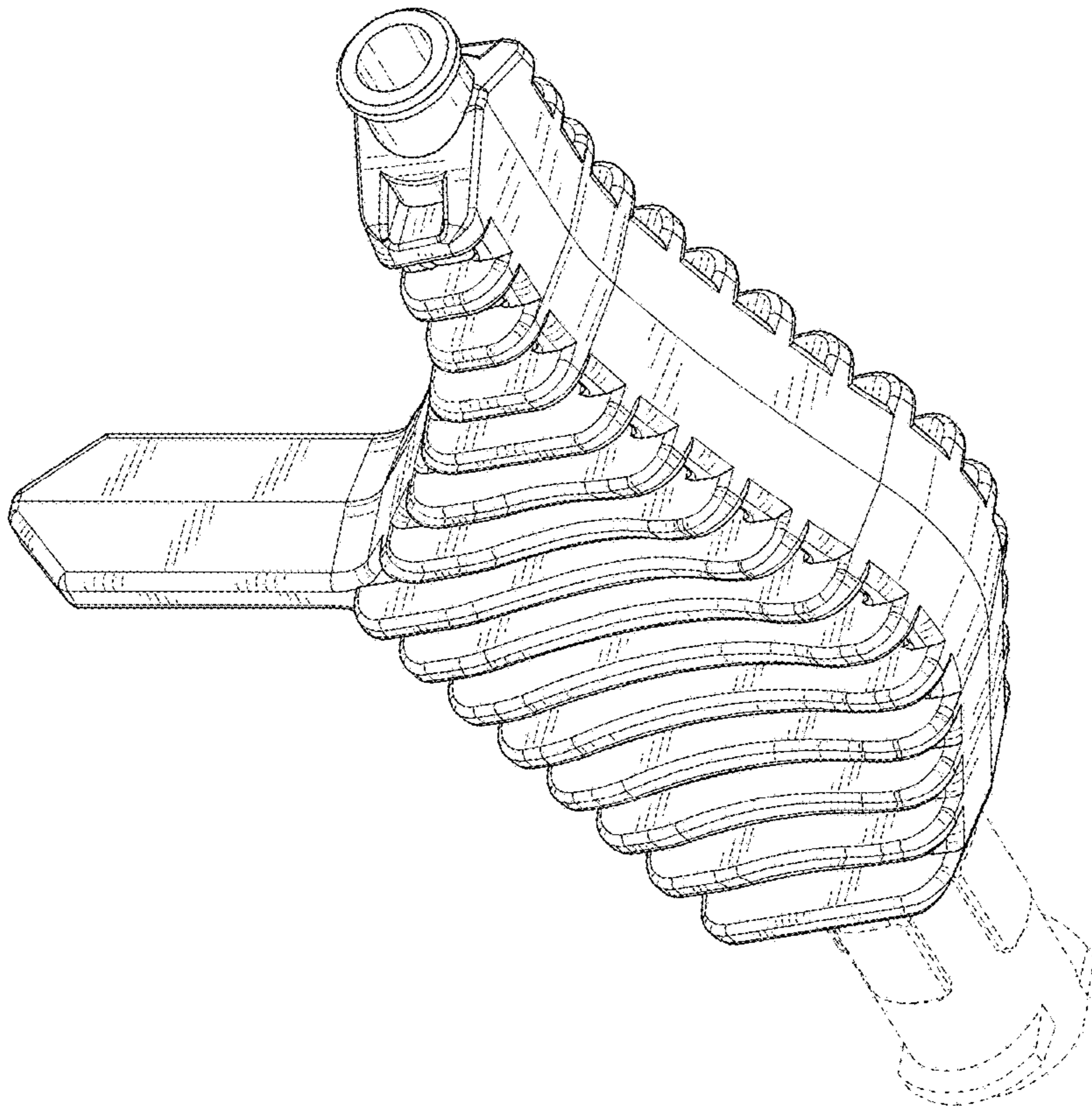
U.S. PATENT DOCUMENTS

2016/0199070 A1\* 7/2016 MacLeod ..... A61B 17/1633  
606/84

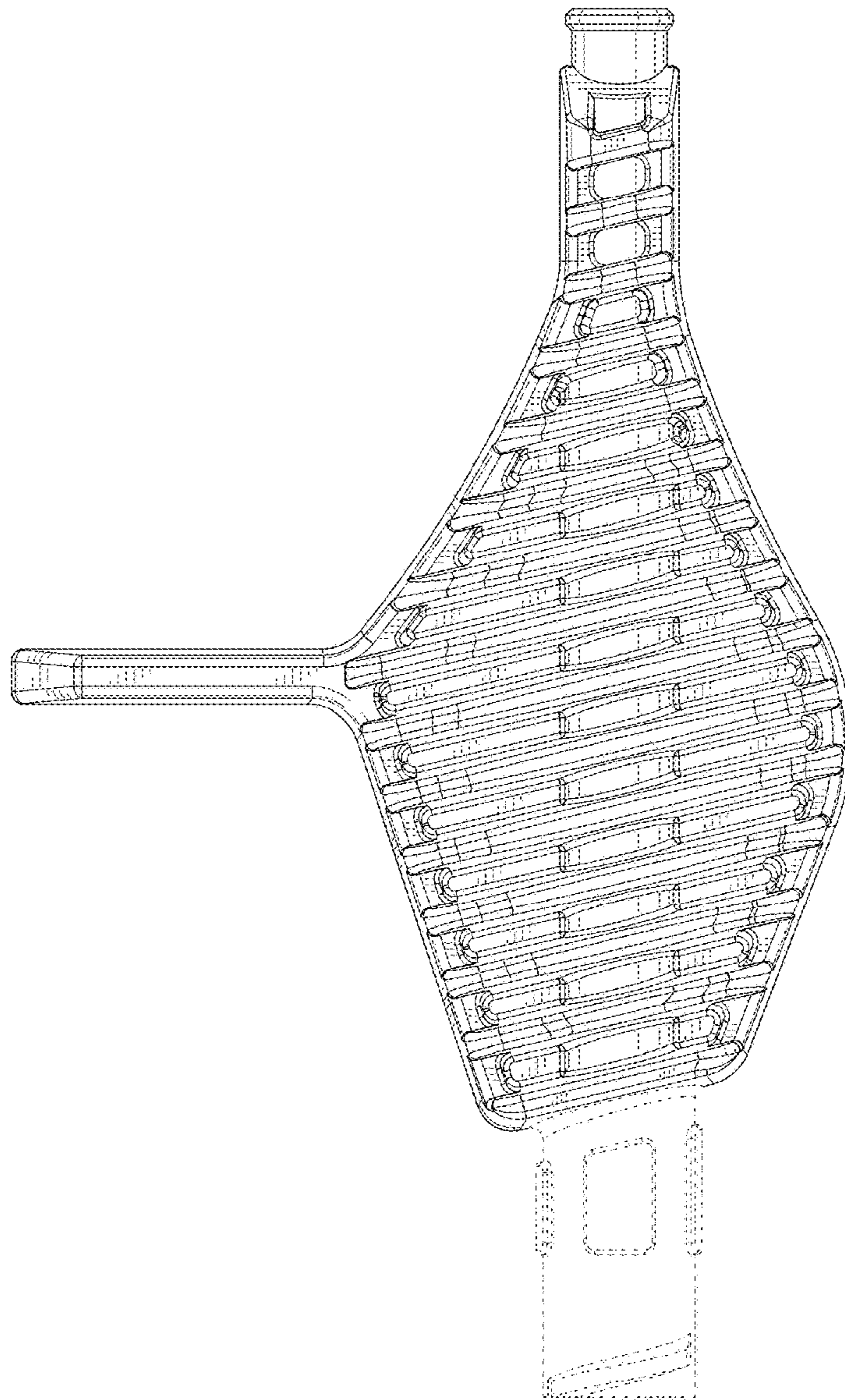
\* cited by examiner



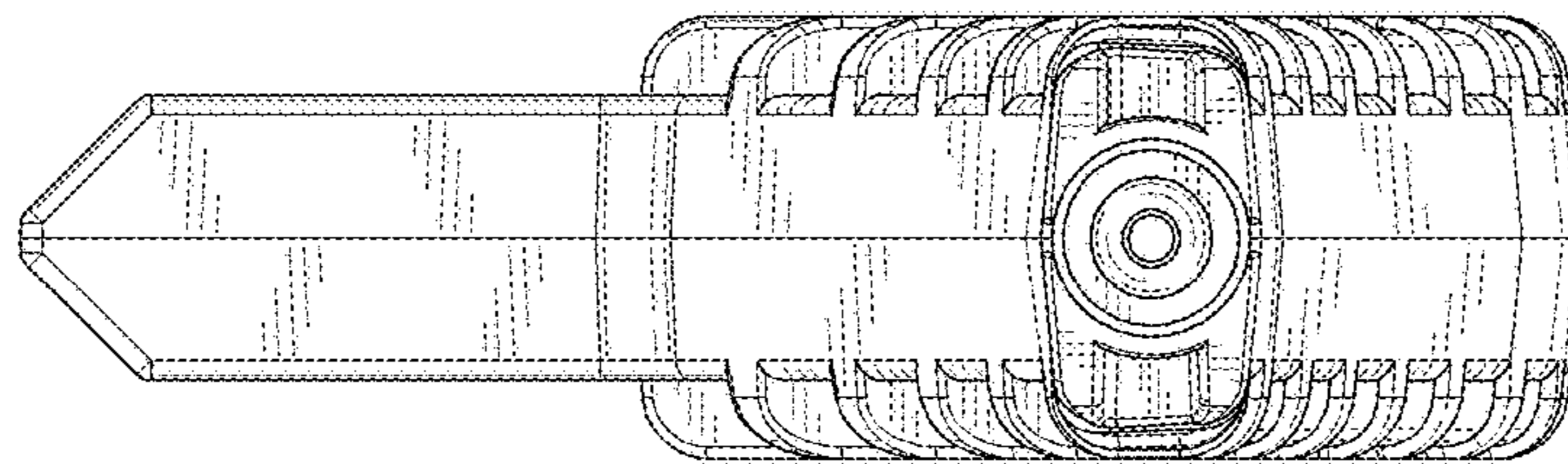
**FIG. 1**



**FIG. 2**



**FIG. 3**



**FIG. 4**

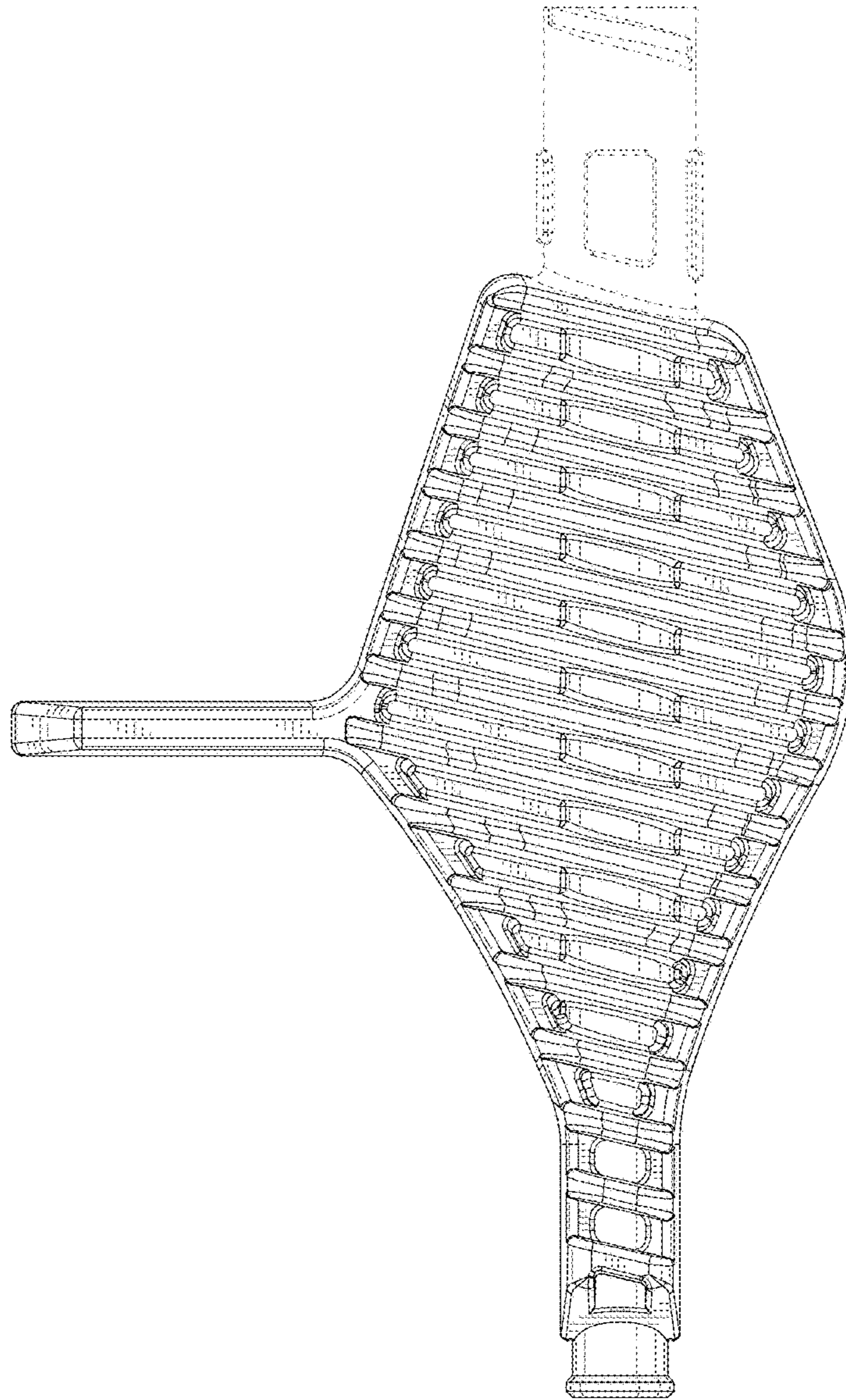
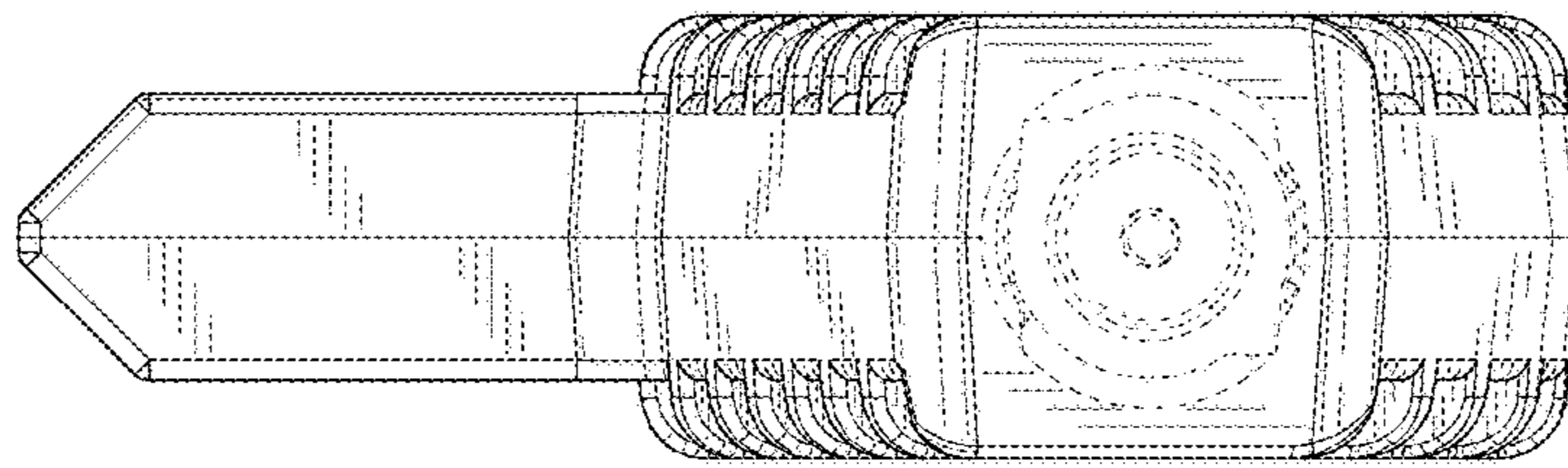
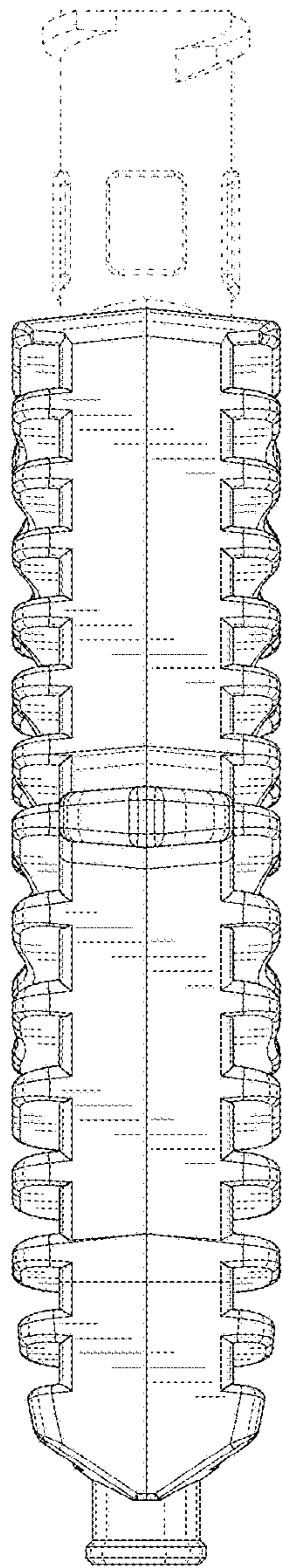


FIG. 5

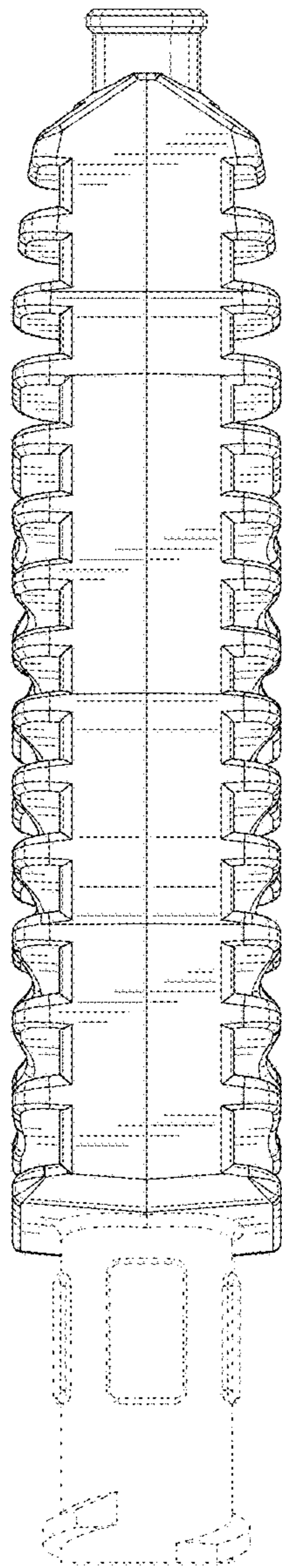


**FIG. 6**





**FIG. 7**



**FIG. 8**