



US00D854154S

(12) **United States Design Patent** (10) **Patent No.:** **US D854,154 S**
Barannyk et al. (45) **Date of Patent:** **** Jul. 16, 2019**

- (54) **HANDLE FOR A MEDICAL DEVICE**
- (71) Applicant: **Baylis Medical Company Inc.,**
Montreal (CA)
- (72) Inventors: **Oleksandr Barannyk, Toronto (CA);**
Jeffery Arnett, Gilbert, AZ (US);
Lyndsay Stephenson, Toronto (CA);
Linus Hoi Che Leung, Toronto (CA)
- (73) Assignee: **Baylis Medical Company Inc.,**
Mississauga (CA)
- (**) Term: **15 Years**
- (21) Appl. No.: **29/646,695**
- (22) Filed: **May 7, 2018**
- (51) **LOC (11) Cl.** **24-02**
- (52) **U.S. Cl.**
USPC **D24/147**
- (58) **Field of Classification Search**
USPC D24/146, 147, 133, 143, 144, 145;
D8/14, 82, 83, 84, 85, 86, 87, 107, 303,
D8/307; 81/487, 489; 606/79, 80, 84;
D13/137.1, 137.2, 137.3, 137.4, 138.1,
D13/138.2
CPC ... A61B 17/025; A61B 17/16; A61B 17/1615;
A61B 17/1617; A61B 17/164; A61B
17/1666; A61B 17/1875; A61B
2017/0023; A61B 2017/0256; A61B
2017/320084; A61B 17/3211; A61B
2017/32113; A61B 17/1622
See application file for complete search history.

- D474,097 S * 5/2003 Hsiao D8/107
- D474,841 S * 5/2003 Price D24/133
- D564,329 S * 3/2008 Hsieh D8/107
- D564,964 S * 3/2008 Caine D13/137.1
- D657,217 S * 4/2012 Chang D8/107
- D662,588 S * 6/2012 Davies D24/144
- D665,078 S * 8/2012 Griffis, III D24/145
- D682,203 S * 5/2013 Uekihara D13/110
- D683,452 S * 5/2013 Davies D24/144
- D786,430 S * 5/2017 Davies D24/144
- D788,303 S * 5/2017 Yurek D24/147

(Continued)

Primary Examiner — Cathron C Brooks
Assistant Examiner — Samantha Q Lawrence
(74) *Attorney, Agent, or Firm* — Vincent Man; Glenn Arnold

(57) **CLAIM**

The ornamental design for a handle for a medical device, as shown and described.

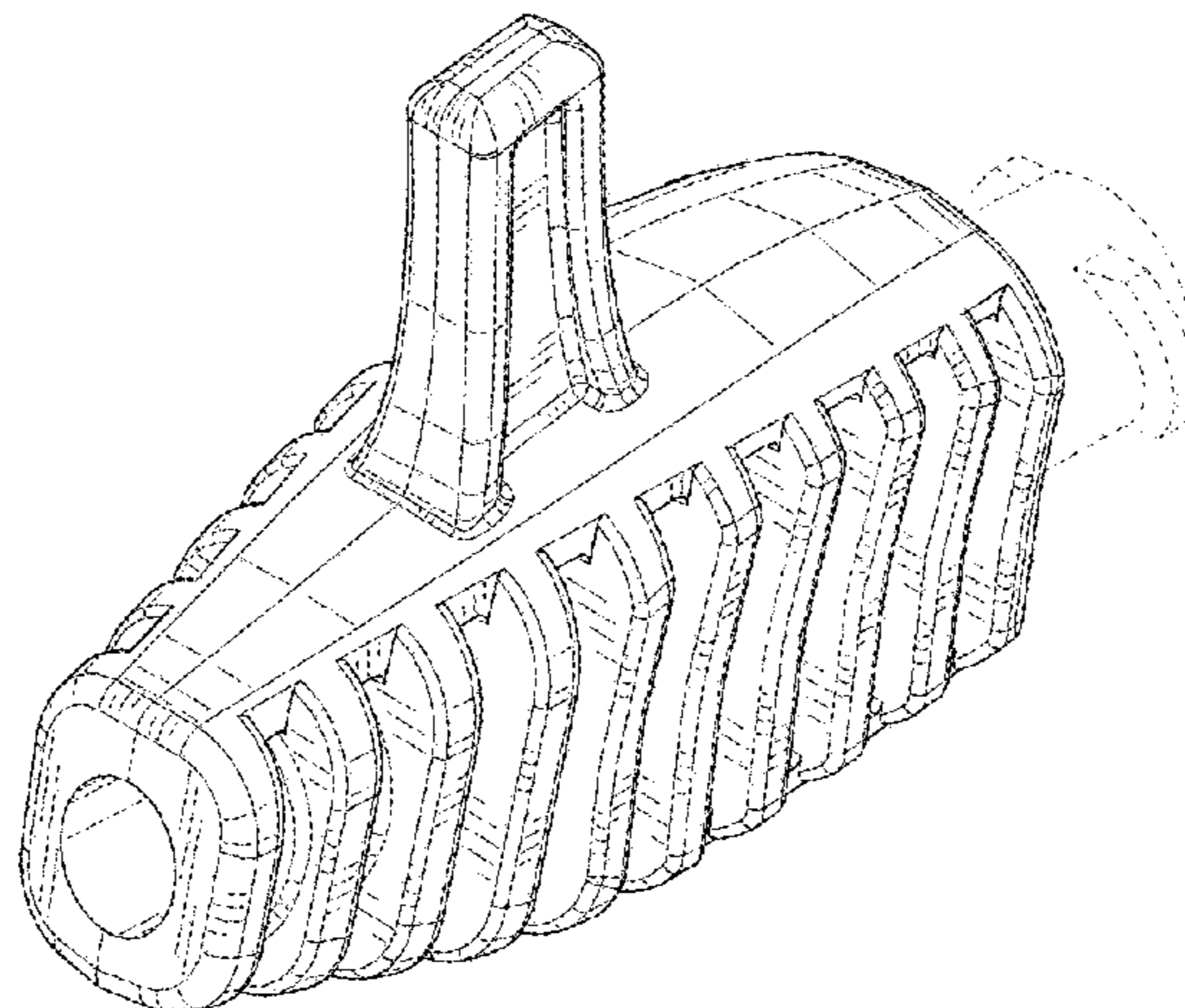
DESCRIPTION

FIG. 1 is a top, front, left side perspective view of a handle for a medical device, showing our new design;
FIG. 2 is a bottom, rear, right side perspective view of the handle of FIG. 1;
FIG. 3 is a right side elevational view of the handle of FIG. 1;
FIG. 4 is a front elevational view of the handle of FIG. 1; and
FIG. 5 is a left side elevational view of the handle of FIG. 1;
FIG. 6 is a rear elevational view of the handle of FIG. 1;
FIG. 7 is a top plan view of the handle of FIG. 1; and
FIG. 8 is a bottom plan view of the handle of FIG. 1.
The broken lines immediately adjacent the shaded areas represent the bounds of the claimed design while all other broken lines are directed to environment and are for illustrative purposes only; the broken lines form no part of the claimed design.

1 Claim, 8 Drawing Sheets

(56) **References Cited**
U.S. PATENT DOCUMENTS

- D394,794 S * 6/1998 Vasudeva D8/107
- D406,260 S * 3/1999 Wardenburg D13/137.1
- D434,725 S * 12/2000 Flaugher D13/137.1



(56)

References Cited

U.S. PATENT DOCUMENTS

D818,585 S * 5/2018 Anderson D24/145
D818,586 S * 5/2018 Hamel D24/146

* cited by examiner

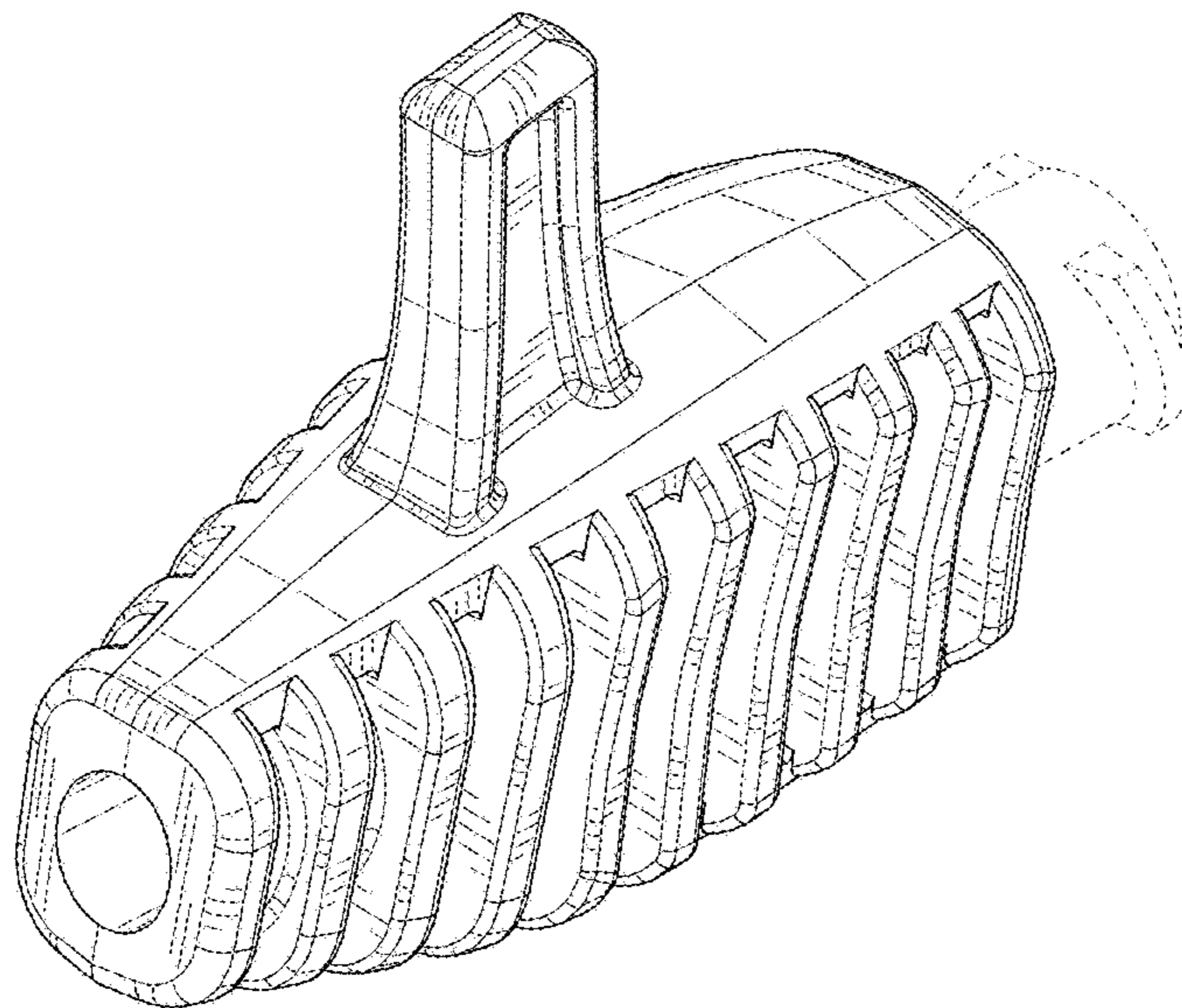


FIG. 1

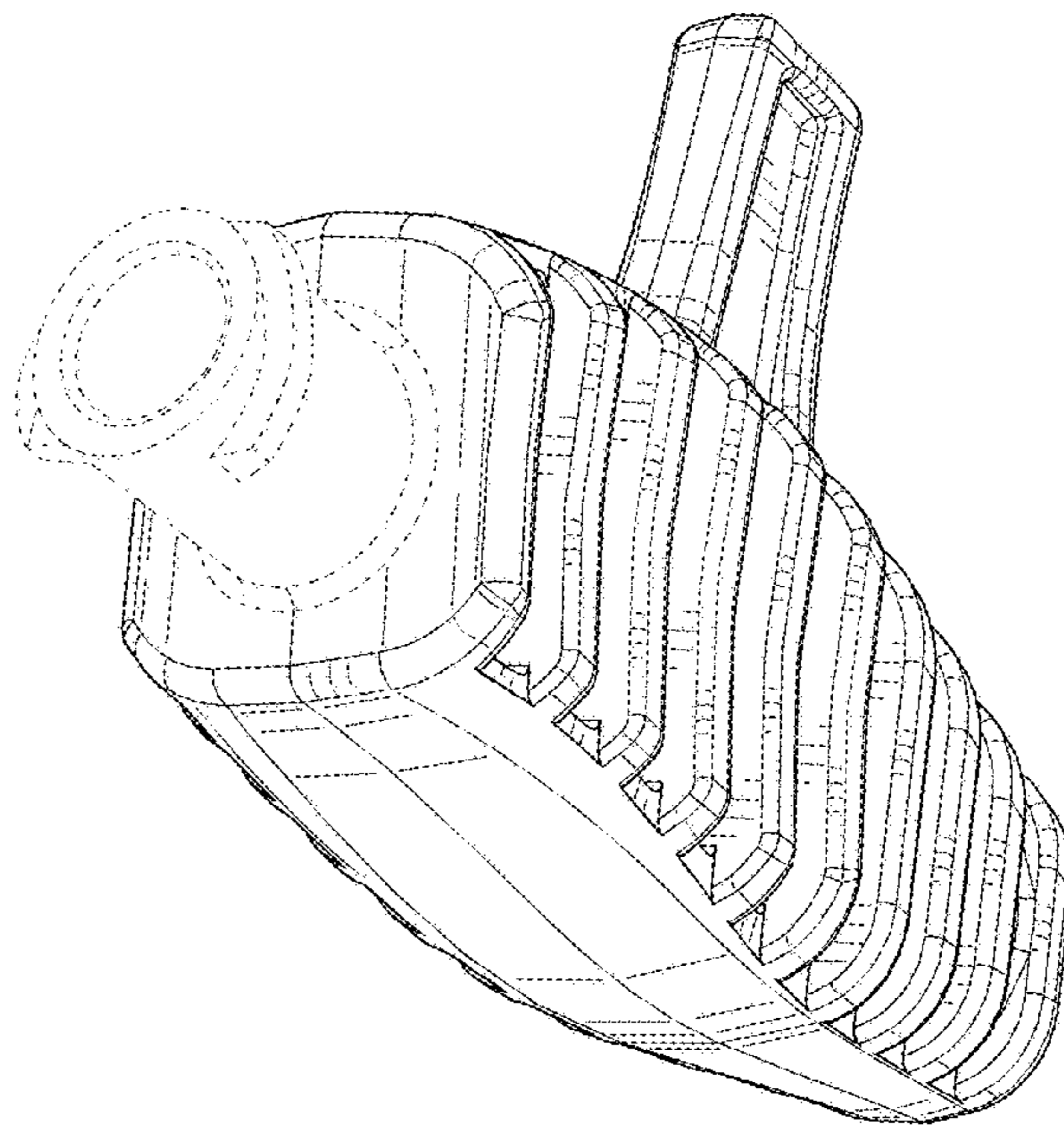


FIG. 2

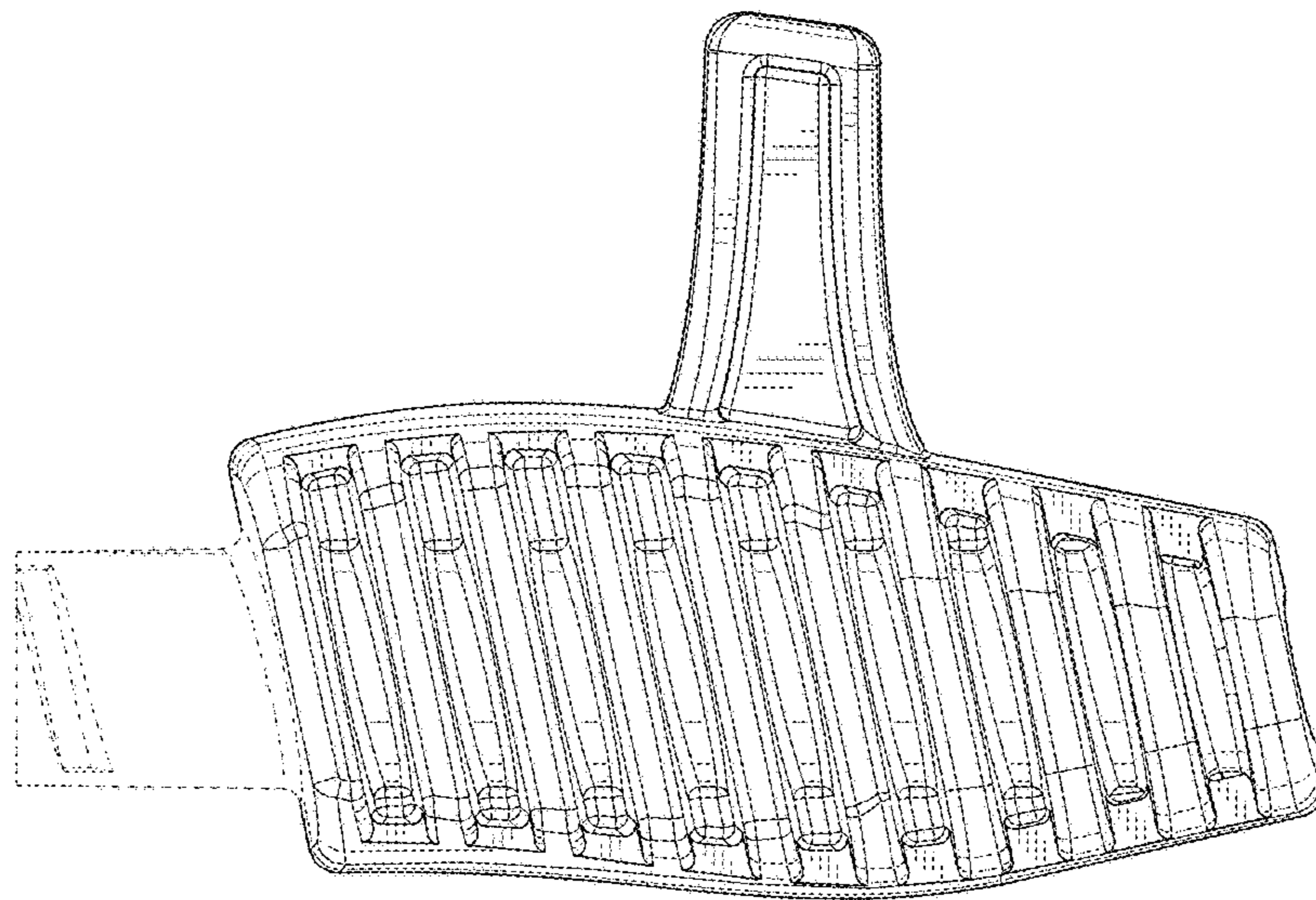


FIG. 3

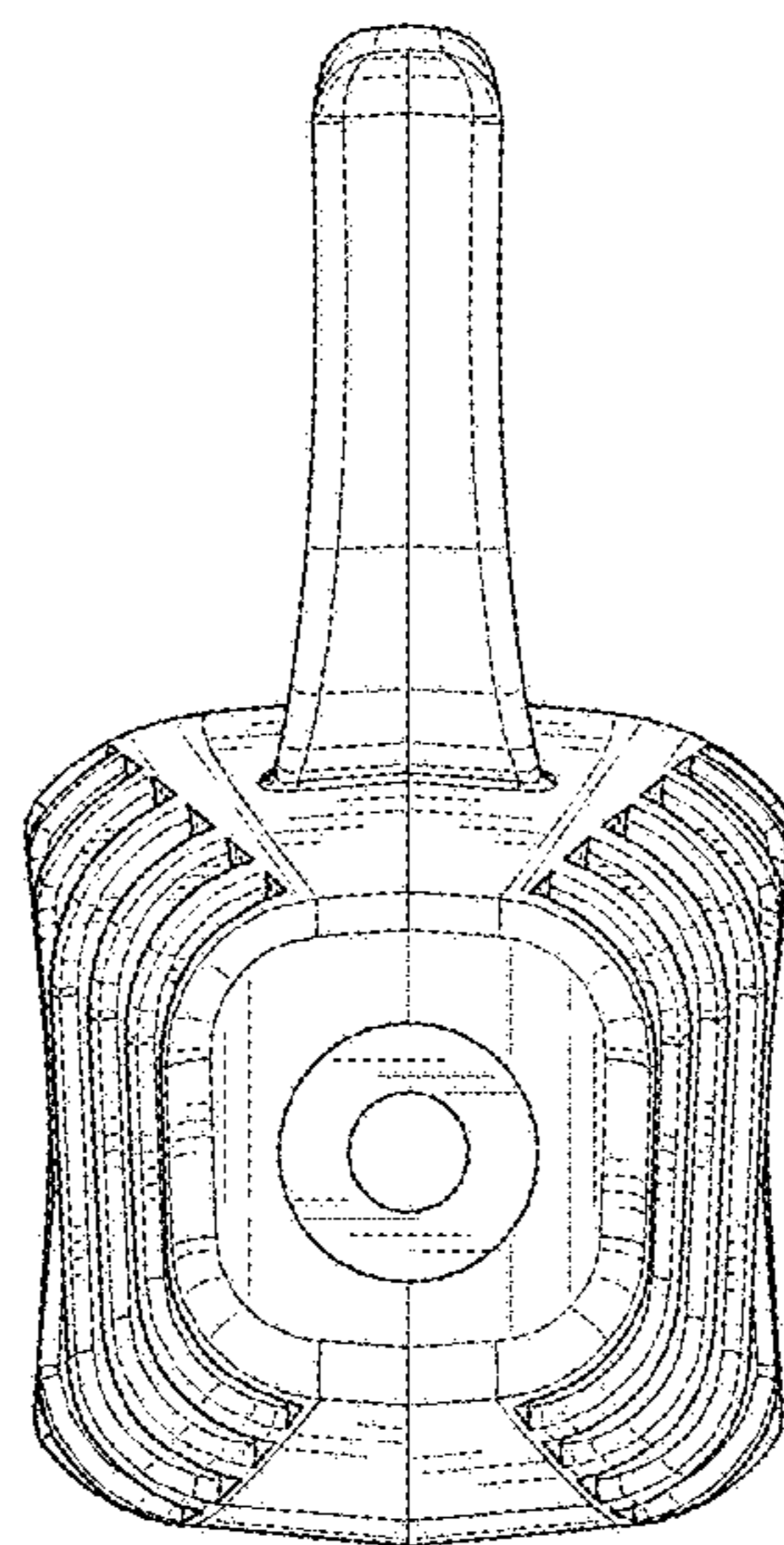


FIG. 4

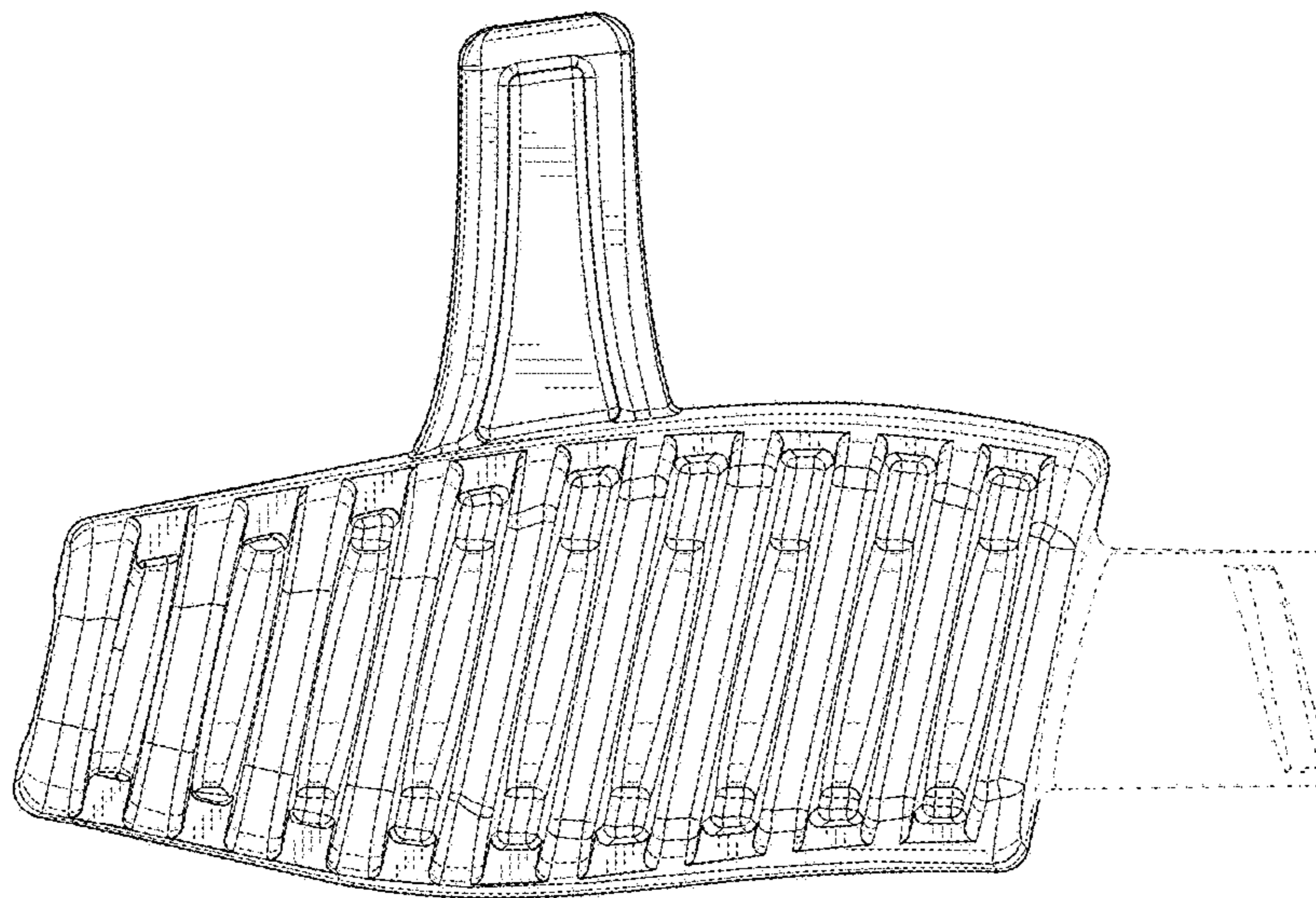


FIG. 5

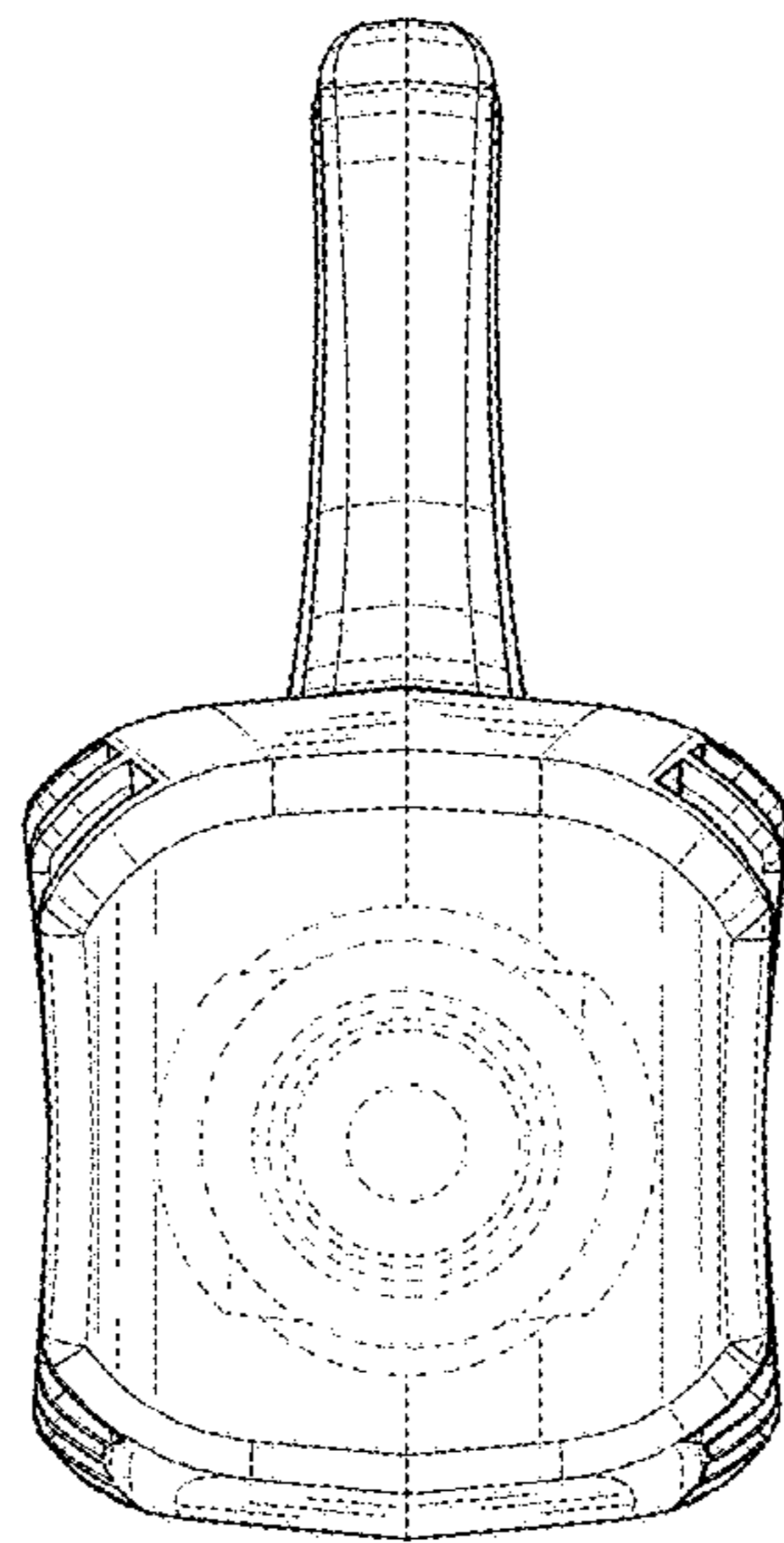


FIG. 6

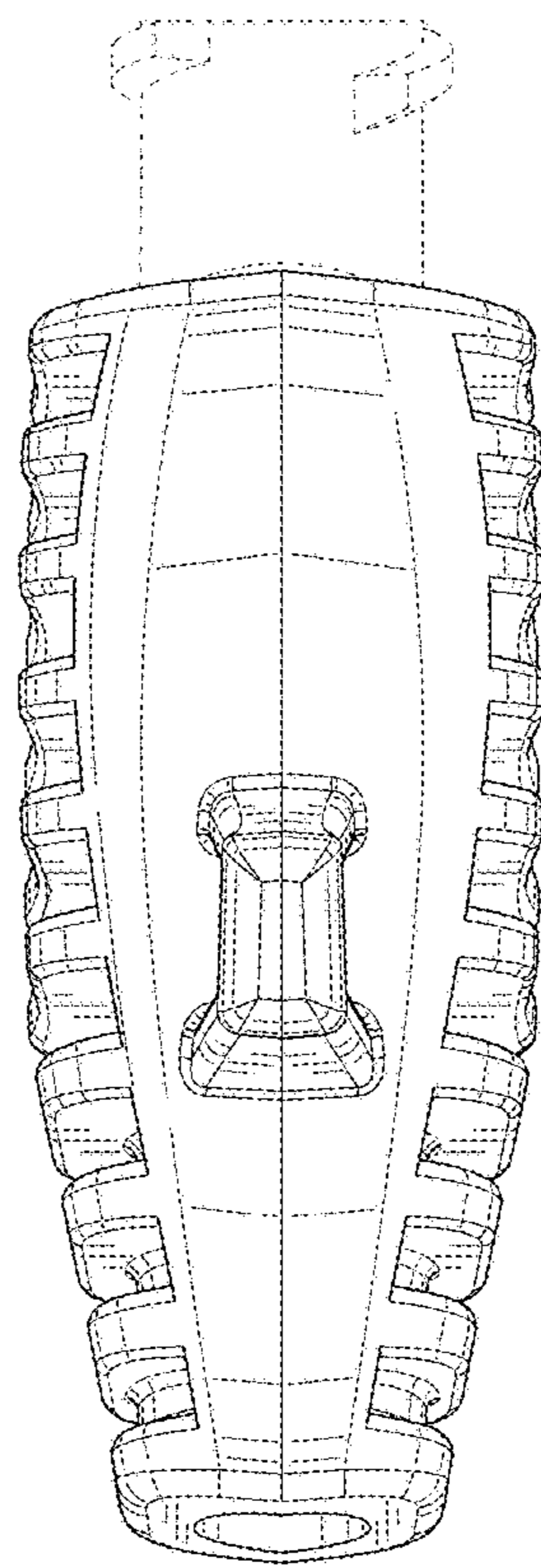


FIG. 7

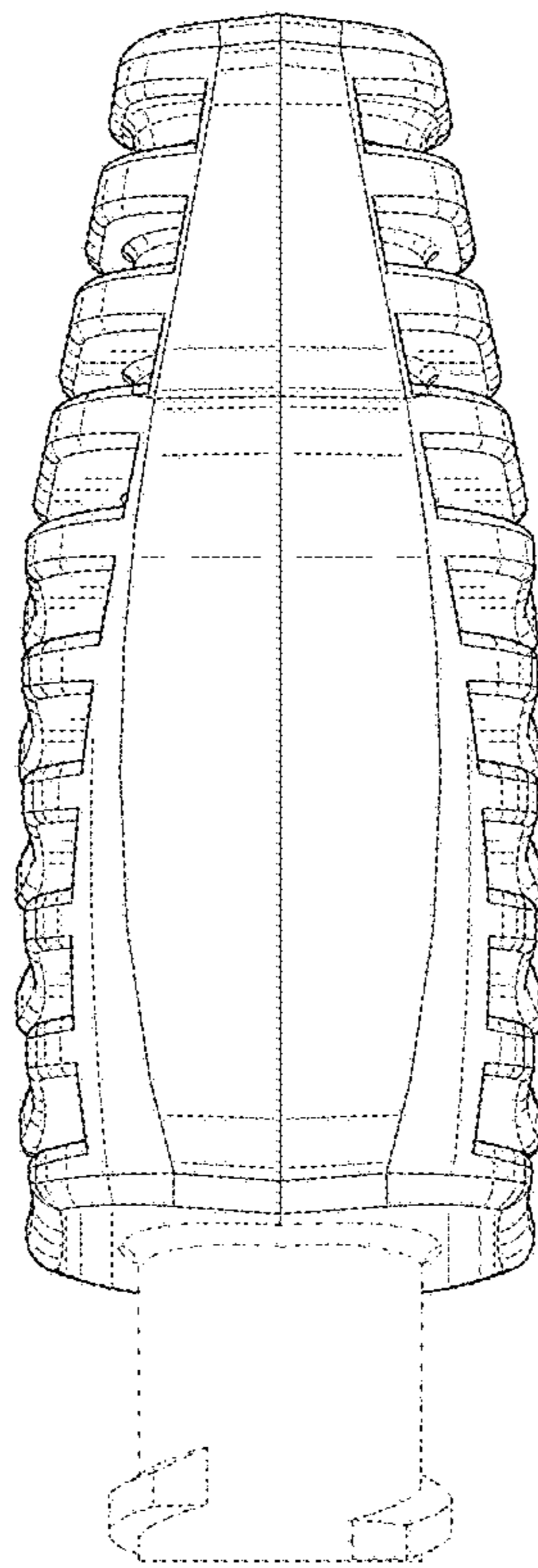


FIG. 8