



US00D854153S

(12) **United States Design Patent**
Hsieh

(10) **Patent No.:** **US D854,153 S**

(45) **Date of Patent:** **** Jul. 16, 2019**

(54) **SKIN LIFTING THREAD DEVICE**

(71) Applicant: **Chia-Hsien Hsieh**, Taipei (TW)

(72) Inventor: **Chia-Hsien Hsieh**, Taipei (TW)

(**) Term: **15 Years**

(21) Appl. No.: **29/627,838**

(22) Filed: **Nov. 30, 2017**

(30) **Foreign Application Priority Data**

Jun. 1, 2017 (CN) 2017 3 0216381

(51) **LOC (11) Cl.** **24-02**

(52) **U.S. Cl.**
USPC **D24/146**

(58) **Field of Classification Search**
USPC D24/110, 111, 112, 115, 121, 133, 146,
D24/147, 148; D28/44, 45, 46, 47, 48,
D28/49, 50, 51, 52, 53, 54; D7/693, 694,
D7/695, 696
CPC A61B 90/02; A61F 13/00987; A61F
13/0276; A61F 13/10; A61F 13/122;
A61F 2013/0028; A61F 5/0118; A61H
1/008; A61K 9/0014; B29C 69/005
See application file for complete search history.

(56) **References Cited**

U.S. PATENT DOCUMENTS

D652,137 S * 1/2012 Nino D24/133
D652,138 S * 1/2012 Nino D24/133
D655,413 S * 3/2012 Nino D24/133

D663,836 S * 7/2012 Ruiz, Sr. D24/133
D669,981 S * 10/2012 Ruiz, Sr. D24/133
D677,790 S * 3/2013 Little A61M 37/0076
D771,249 S * 11/2016 Heath D24/133
D776,812 S * 1/2017 Heath D24/146
D779,653 S * 2/2017 Habig D24/115
D808,009 S * 1/2018 Brannon D24/112
D831,210 S * 10/2018 Nelson D24/146

* cited by examiner

Primary Examiner — Ian Simmons

Assistant Examiner — Samantha Q Lawrence

(57) **CLAIM**

The ornamental design for a skin lifting thread device, as shown and described.

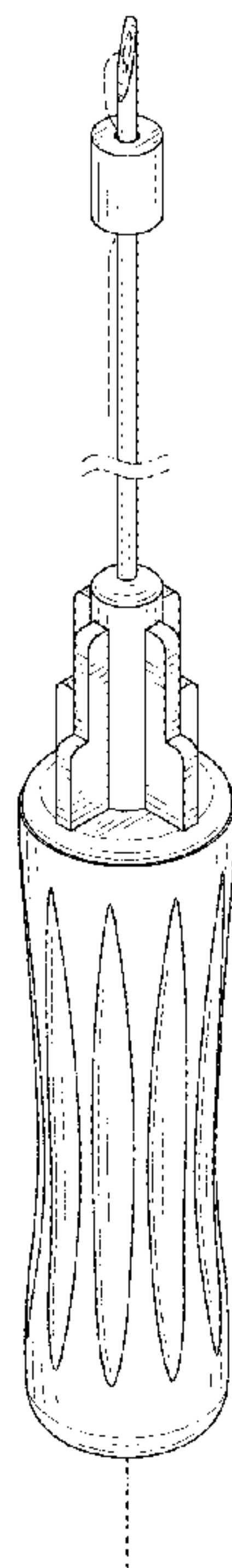
DESCRIPTION

FIG. 1 is a first perspective view of a skin lifting thread device showing my new design;
FIG. 2 is a second perspective view thereof;
FIG. 3 is a front elevational view thereof;
FIG. 4 is a left side view thereof;
FIG. 5 is a right side view thereof;
FIG. 6 is a top plan view thereof; and,
FIG. 7 is a bottom plan view thereof.

The broken lines in the drawings illustrate portions of the skin lifting thread device which form no part of the claimed design.

The skin lifting thread device is shown with a symbolic break in its length. The appearance of any portion of the article between the break lines forms no part of the claimed design.

1 Claim, 7 Drawing Sheets



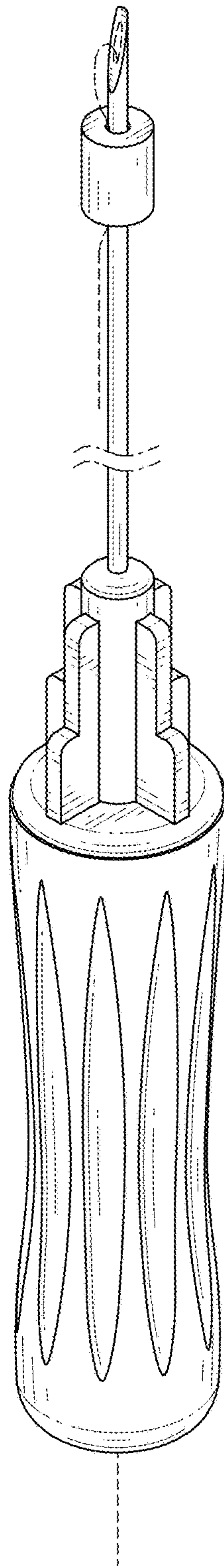


FIG. 1

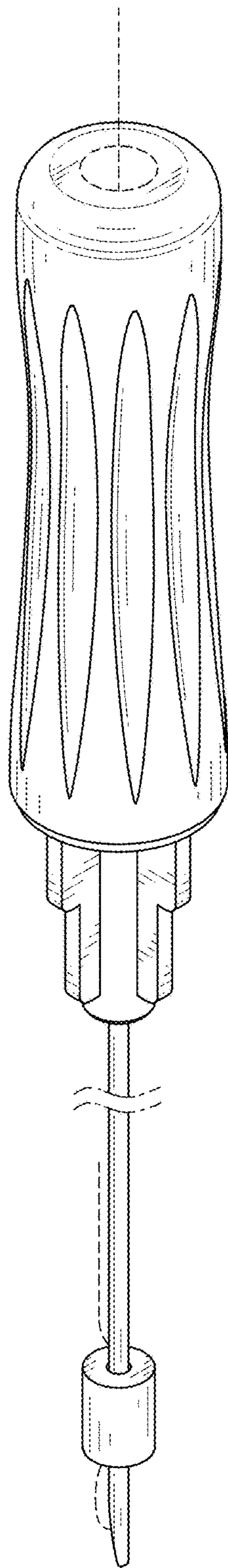


FIG. 2

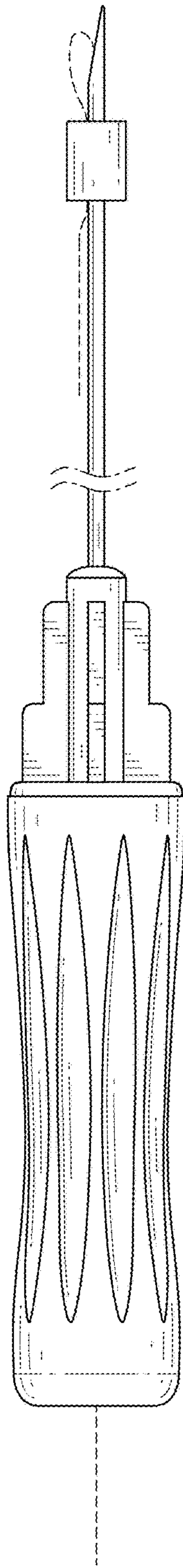


FIG. 3

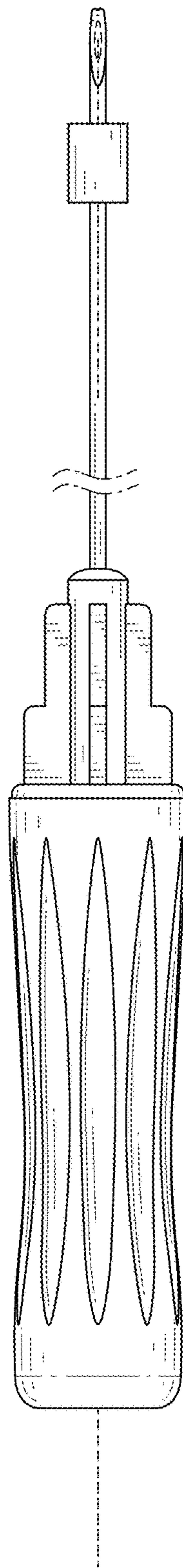


FIG. 4

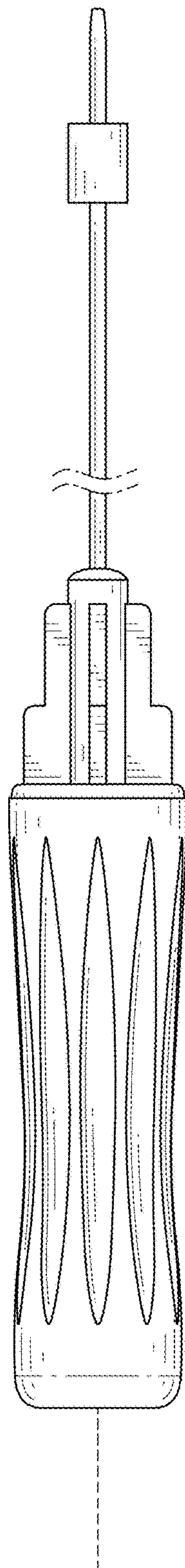


FIG. 5

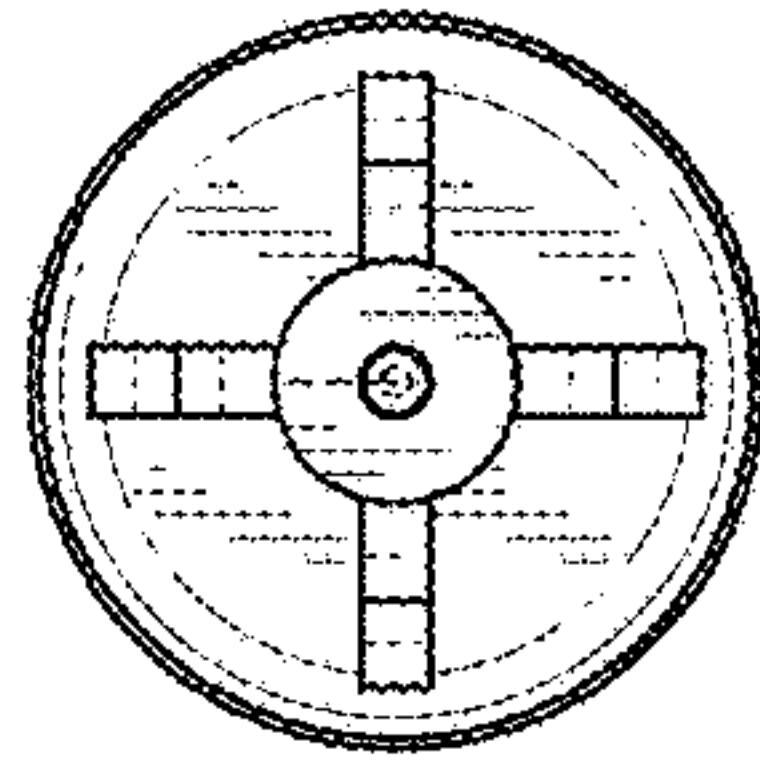


FIG. 6

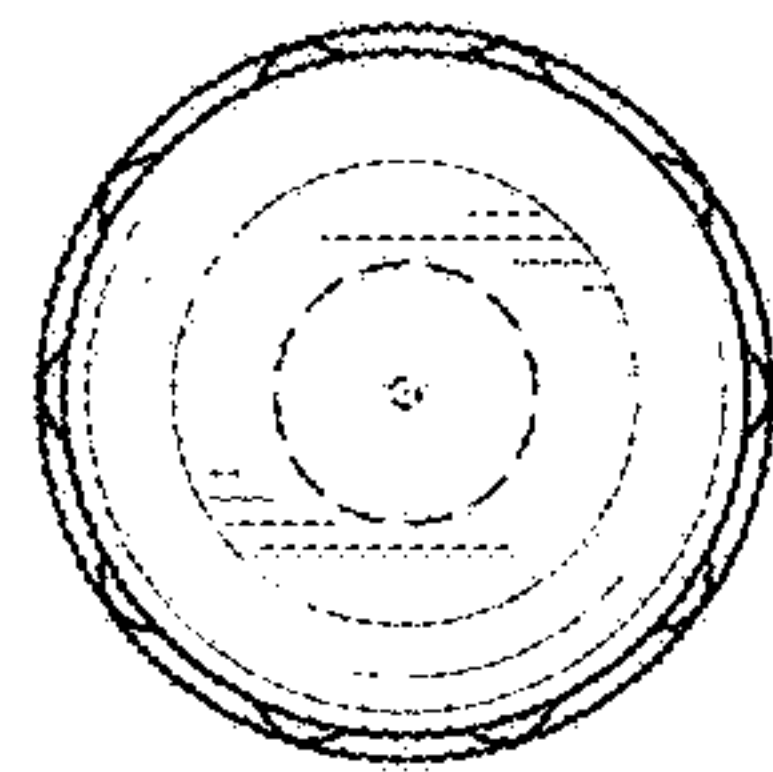


FIG. 7